



US00D324716S

United States Patent [19]

[11] Patent Number: **Des. 324,716**

Yoshikawa

[45] Date of Patent: **** Mar. 17, 1992**

[54] FISHING REEL

[75] Inventor: Toshiaki Yoshikawa, Tokyo, Japan

[73] Assignee: Daiwa Seiko, Inc., Tokyo, Japan

[**] Term: 14 Years

[21] Appl. No.: 453,501

[22] Filed: Dec. 20, 1989

[30] Foreign Application Priority Data

Jun. 20, 1989 [JP] Japan 1-22730

[52] U.S. Cl. **D22/140**

[58] Field of Search D22/140; 242/279, 223,
242/257-262

[56] References Cited

U.S. PATENT DOCUMENTS

| | | | | |
|------------|--------|---------------|-------|---------|
| D. 256,494 | 8/1980 | Okada | | D22/140 |
| D. 291,473 | 8/1987 | Nakamura | | D22/140 |
| D. 294,726 | 3/1988 | Nakamura | | D22/140 |
| D. 299,509 | 1/1989 | Iinuma et al. | | D22/140 |

| | | | | |
|------------|--------|---------------|-------|-----------|
| D. 307,620 | 5/1990 | Kameda et al. | | D22/140 |
| D. 310,116 | 8/1990 | Effinger | | D22/140 |
| 4,585,182 | 4/1986 | Atobe | | 242/223 |
| 4,934,628 | 6/1990 | Yamaguchi | | 242/279 X |

Primary Examiner—A. Hugo Word
Assistant Examiner—Doris V. Coles
Attorney, Agent, or Firm—Cushman, Darby & Cushman

[57] CLAIM

The ornamental design for a fishing reel, as shown and described.

DESCRIPTION

FIG. 1 is a top, front and one side perspective view of a fishing reel showing my new design;
FIG. 2 is a top, rear and the opposite side perspective view thereof;
FIG. 3 is a front elevational view thereof;
FIG. 4 is a rear elevational view thereof;
FIG. 5 is a right side elevational view thereof;
FIG. 6 is a left side elevational view thereof;
FIG. 7 is a top plan view thereof; and
FIG. 8 is a bottom plan view thereof.

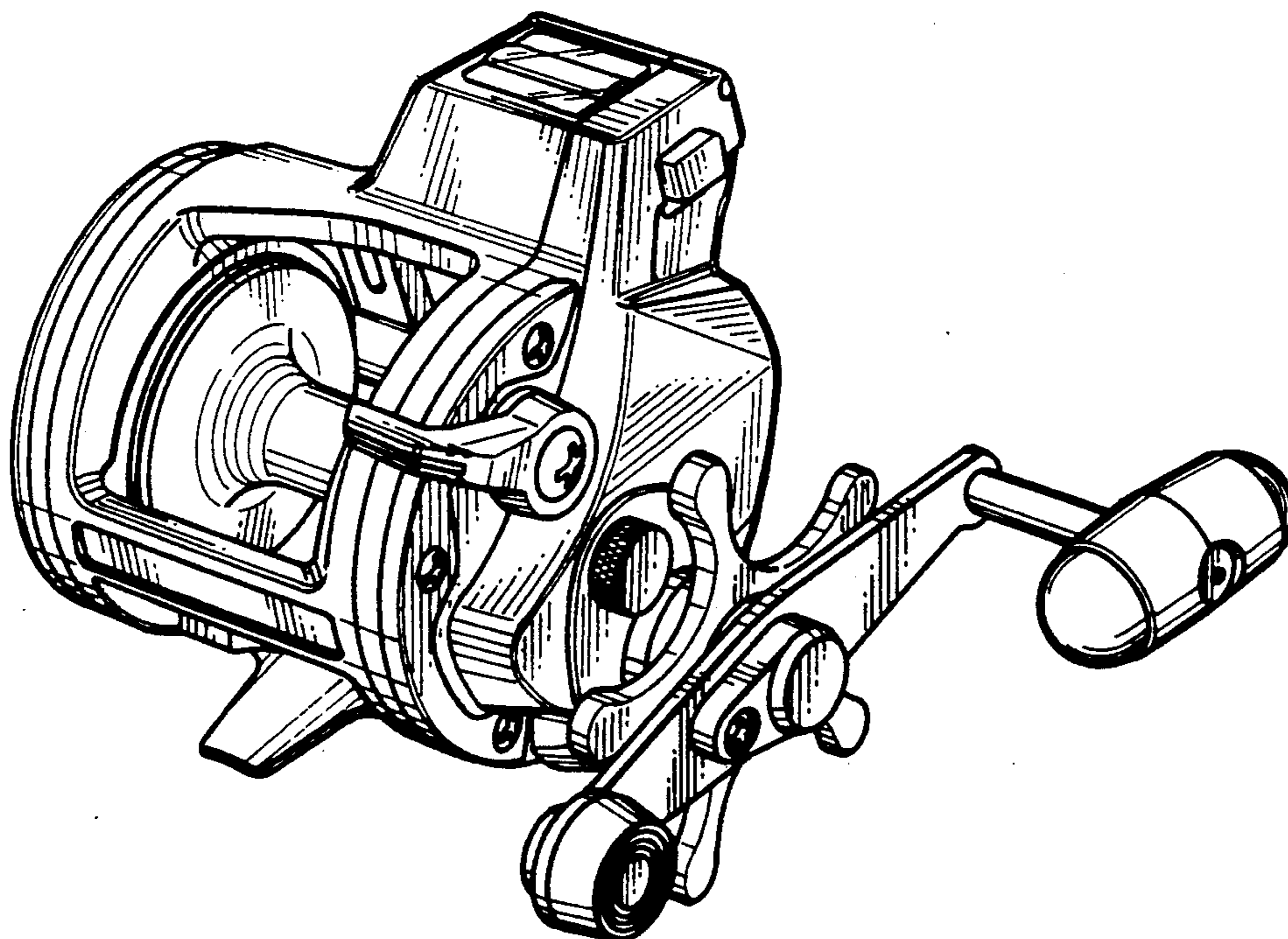


Fig. 1

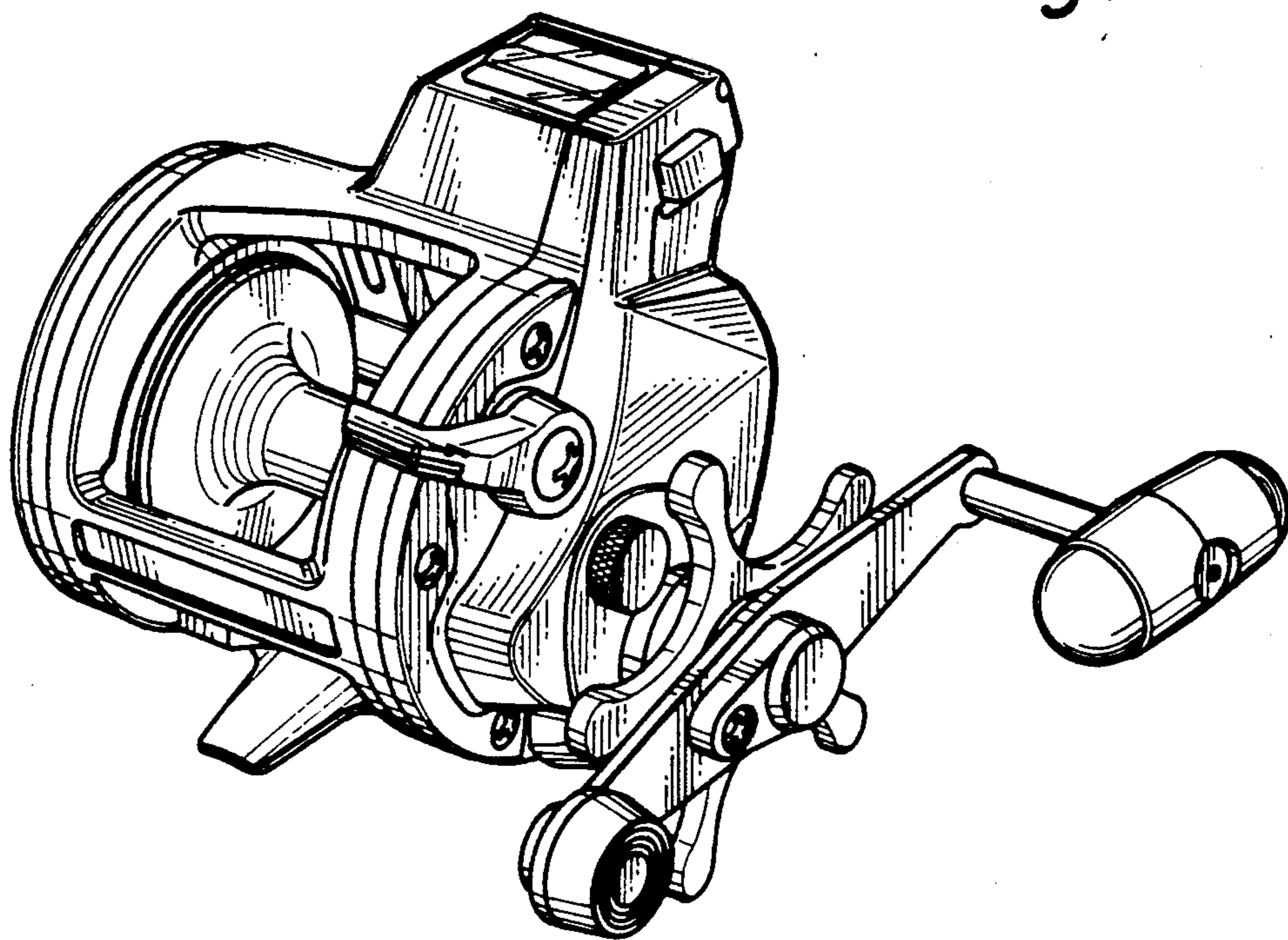


Fig. 2

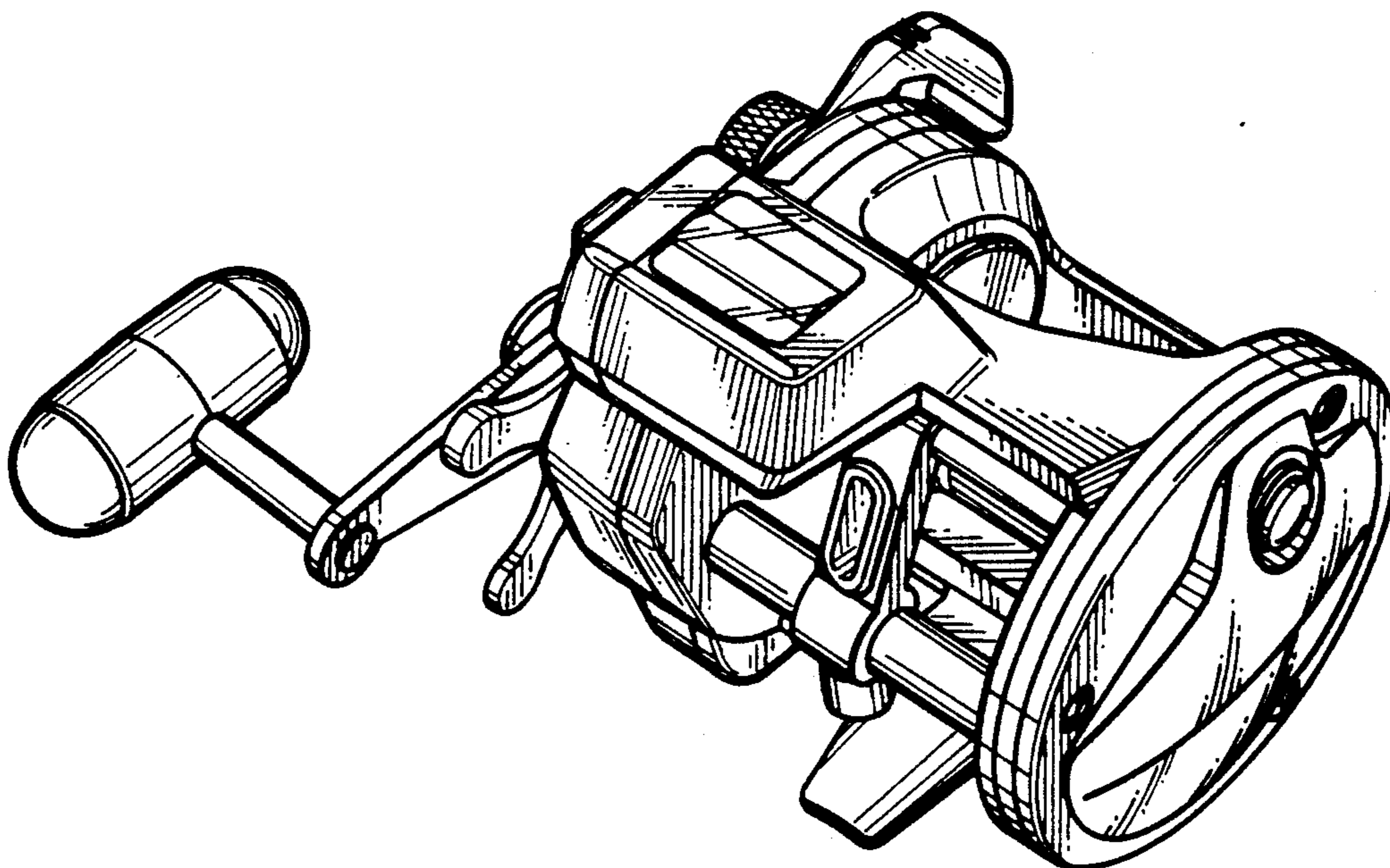


Fig. 3

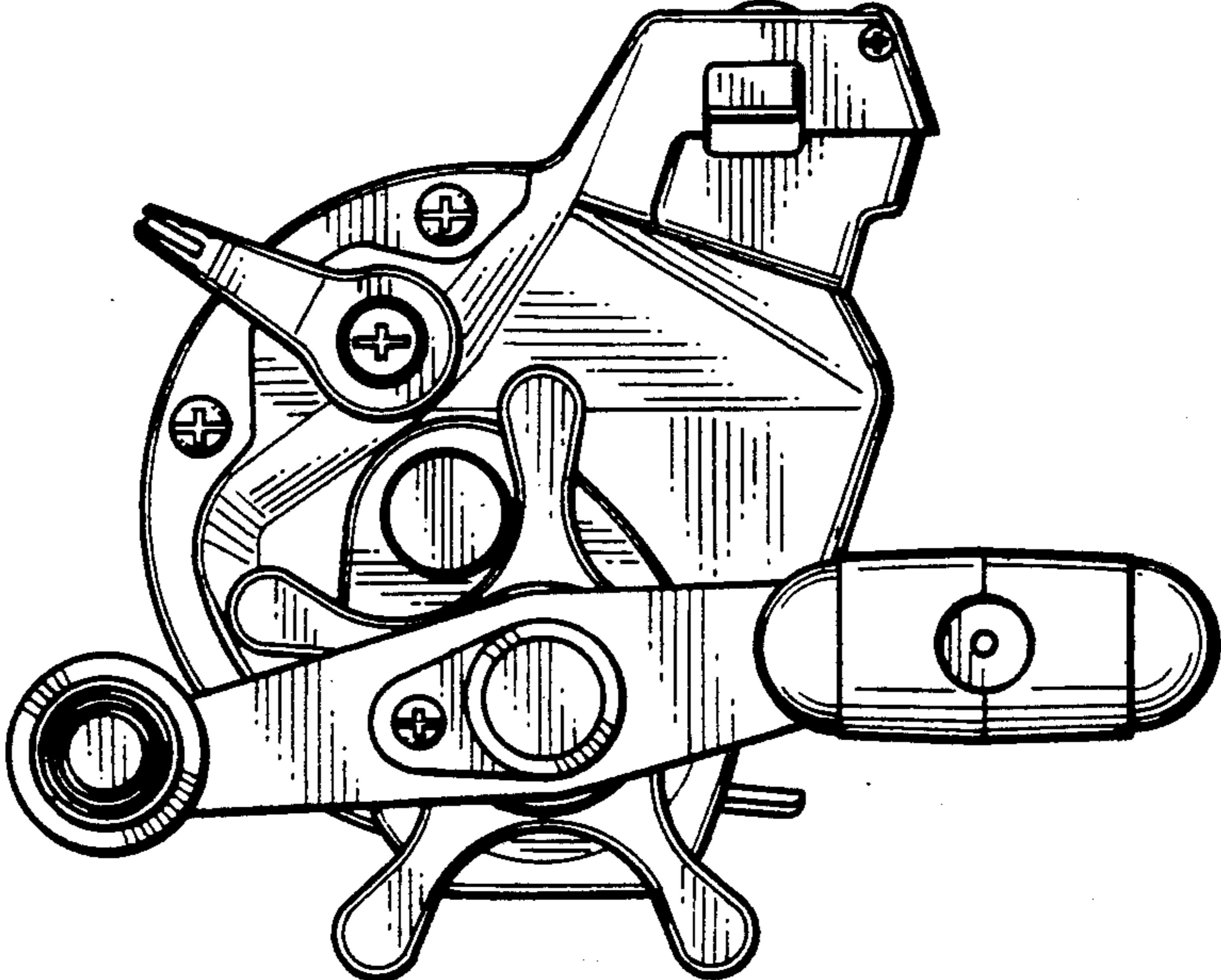


Fig. 4

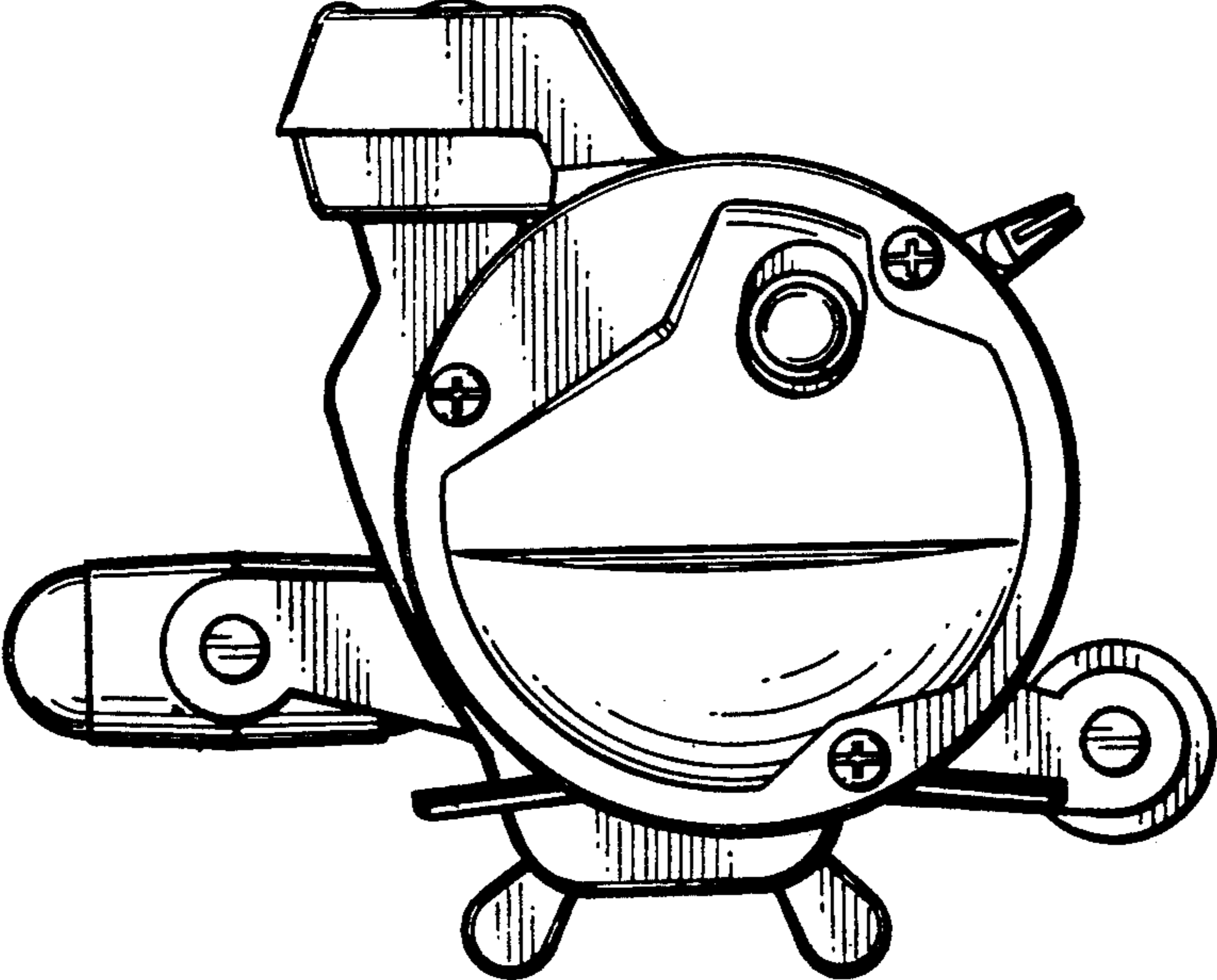


Fig. 5

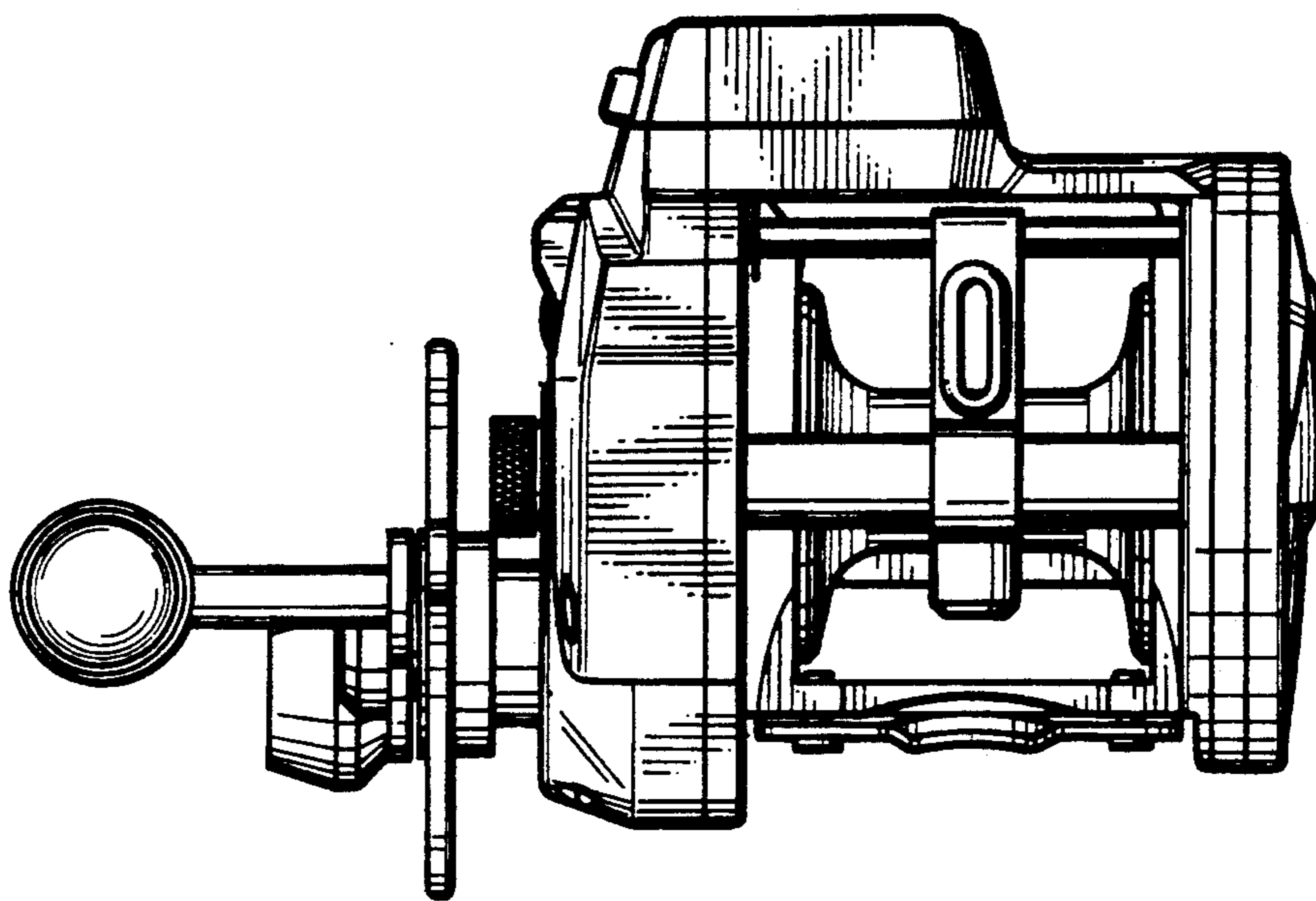


Fig. 6

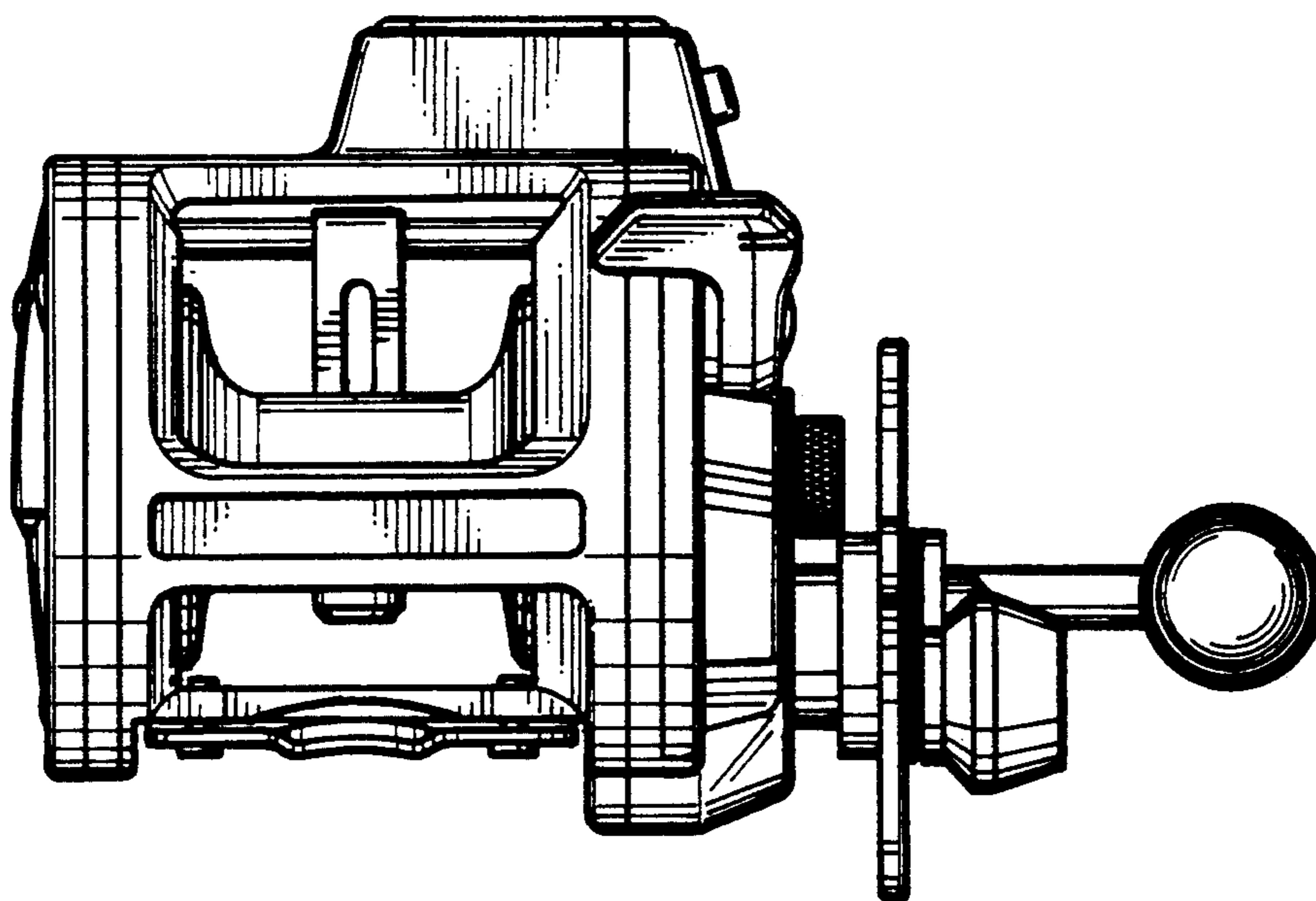


Fig. 7

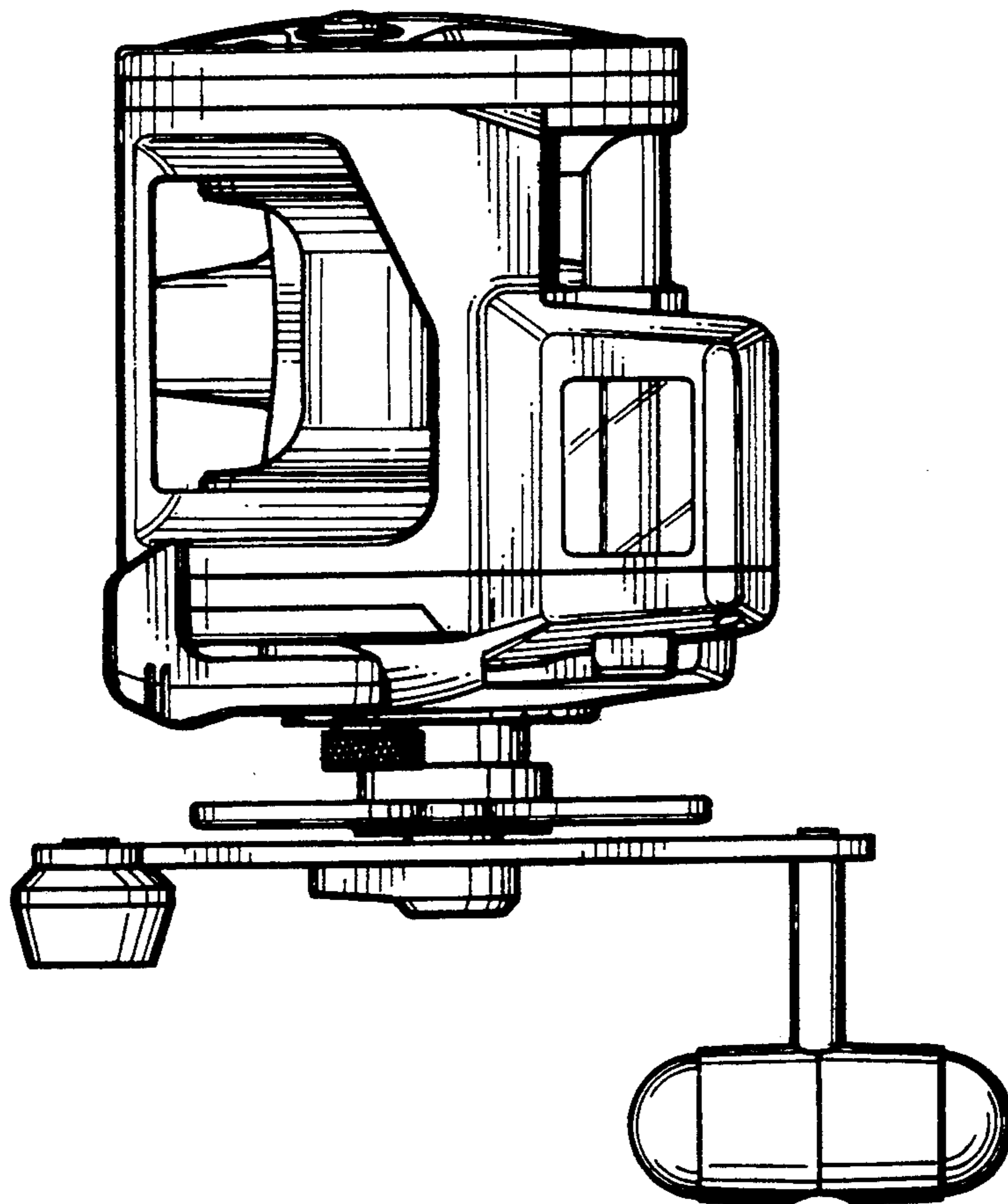


Fig. 8

