



US00D324711S

# United States Patent [19]

[11] Patent Number: **Des. 324,711**

Antonious

[45] Date of Patent: **\*\* Mar. 17, 1992**

[54] GOLF CLUB HEAD

### OTHER PUBLICATIONS

[76] Inventor: **Anthony J. Antonious**, 205 E. Joppa Rd., Towson, Md. 21204

Golf Magazine, Mar. 1985, p. 81, top left, Beauwood putter.

*Primary Examiner*—Melvin B. Feifer  
*Attorney, Agent, or Firm*—N. J. Aquilino

[\*\*] Term: **14 Years**

### [57] CLAIM

[21] Appl. No.: **317,800**

The ornamental design for a golf club head, as shown and described.

[22] Filed: **Mar. 2, 1989**

### DESCRIPTION

[52] U.S. Cl. .... **D21/217**

FIG. 1 is a rear elevational view of the golf club head showing my new design;

[58] Field of Search ..... **D21/214-220;**

FIG. 2 is a top plan view thereof;

**273/164, 167-175**

FIG. 3 is a front elevational view thereof;

FIG. 4 is a bottom view thereof;

FIG. 5 is an end elevational view thereof;

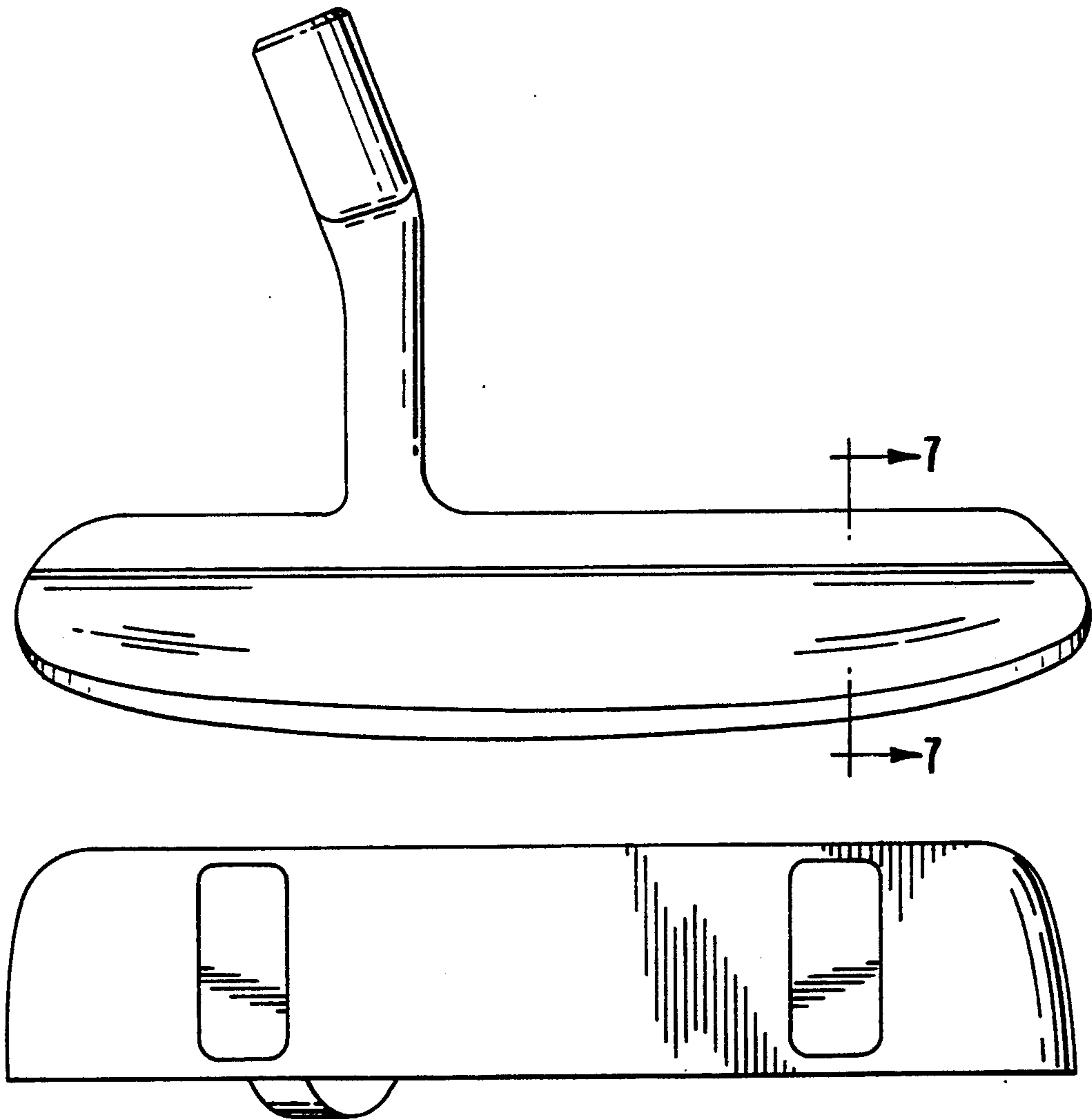
FIG. 6 is an end elevational view taken from the opposite side of FIG. 5; and

FIG. 7 is a sectional view taken along the lines 7—7 of FIG. 1.

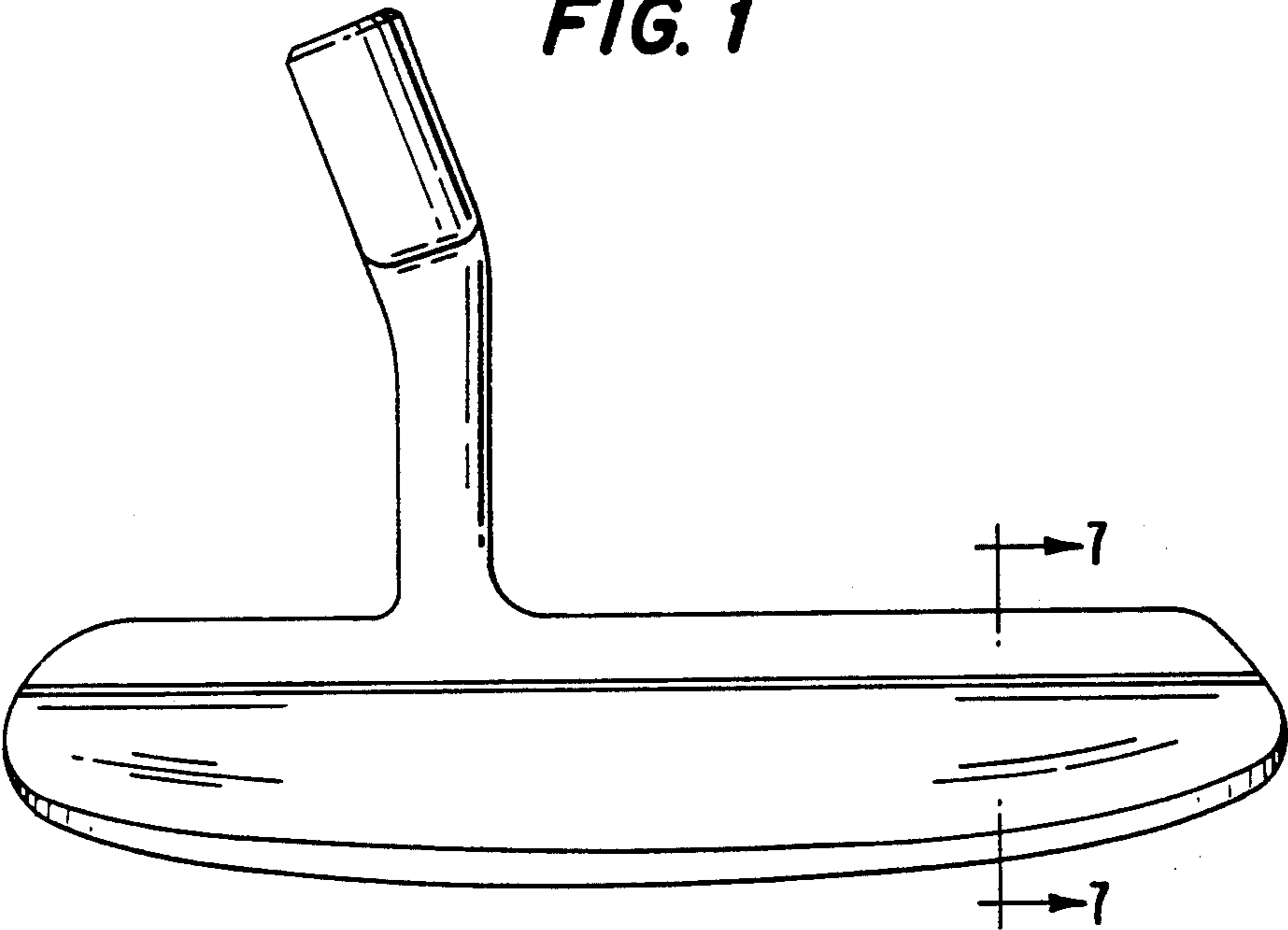
### [56] References Cited

#### U.S. PATENT DOCUMENTS

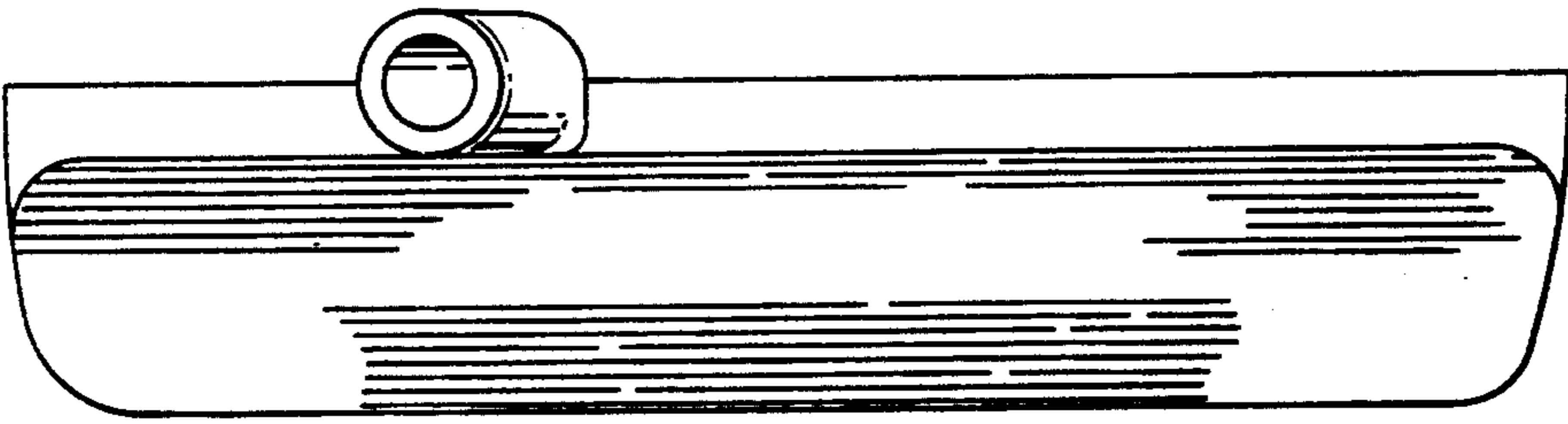
D. 297,445 8/1988 Shearer ..... D21/219  
4,655,459 4/1987 Antonious ..... D21/219



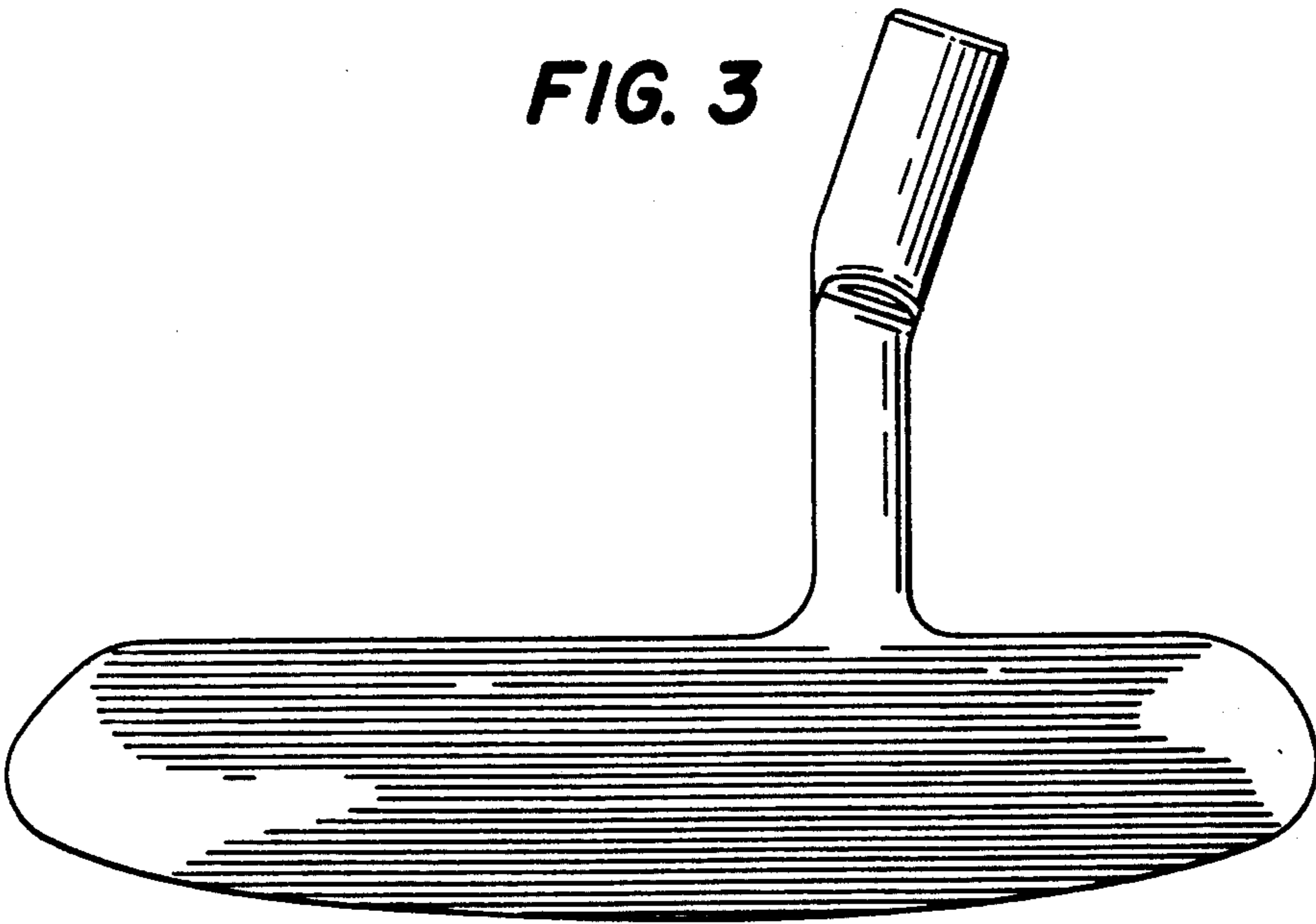
**FIG. 1**



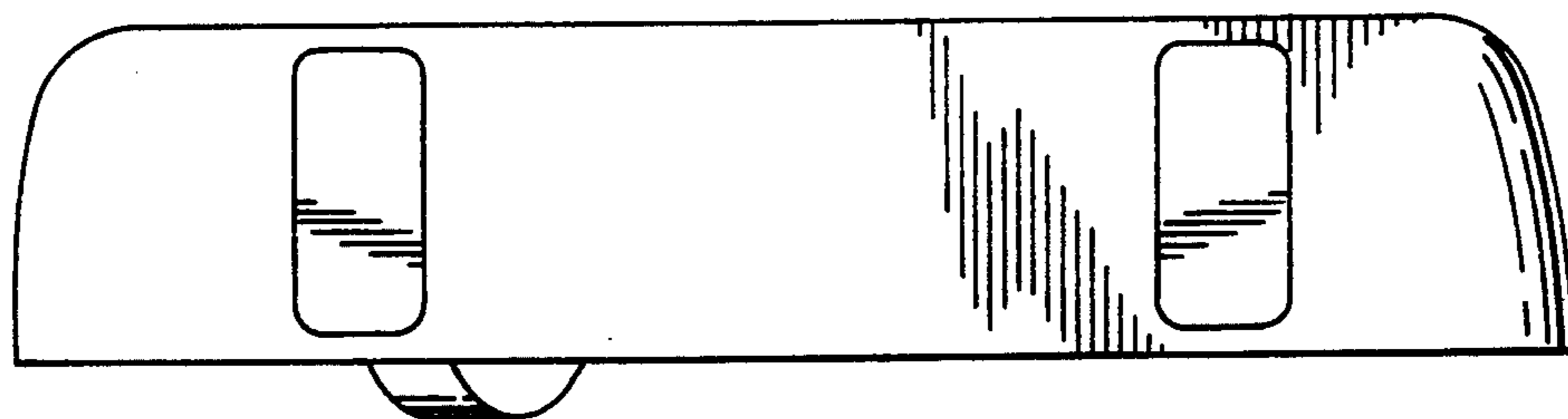
**FIG. 2**



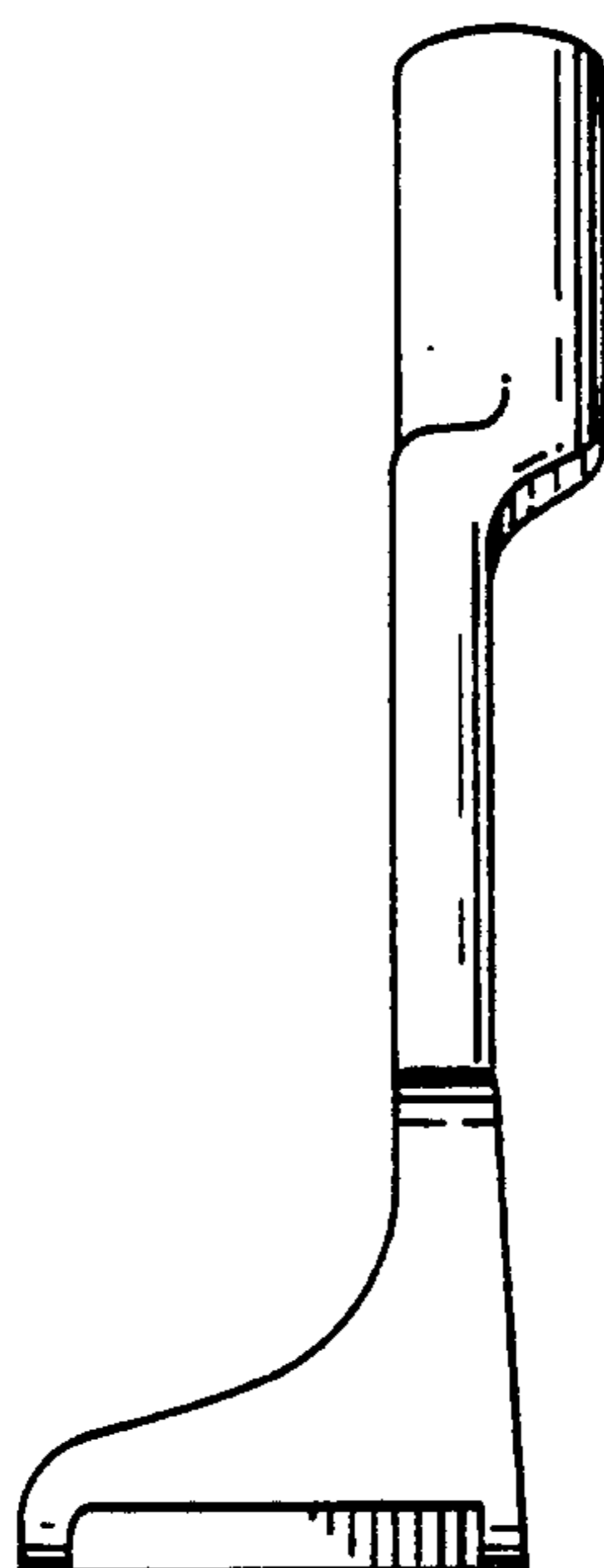
**FIG. 3**



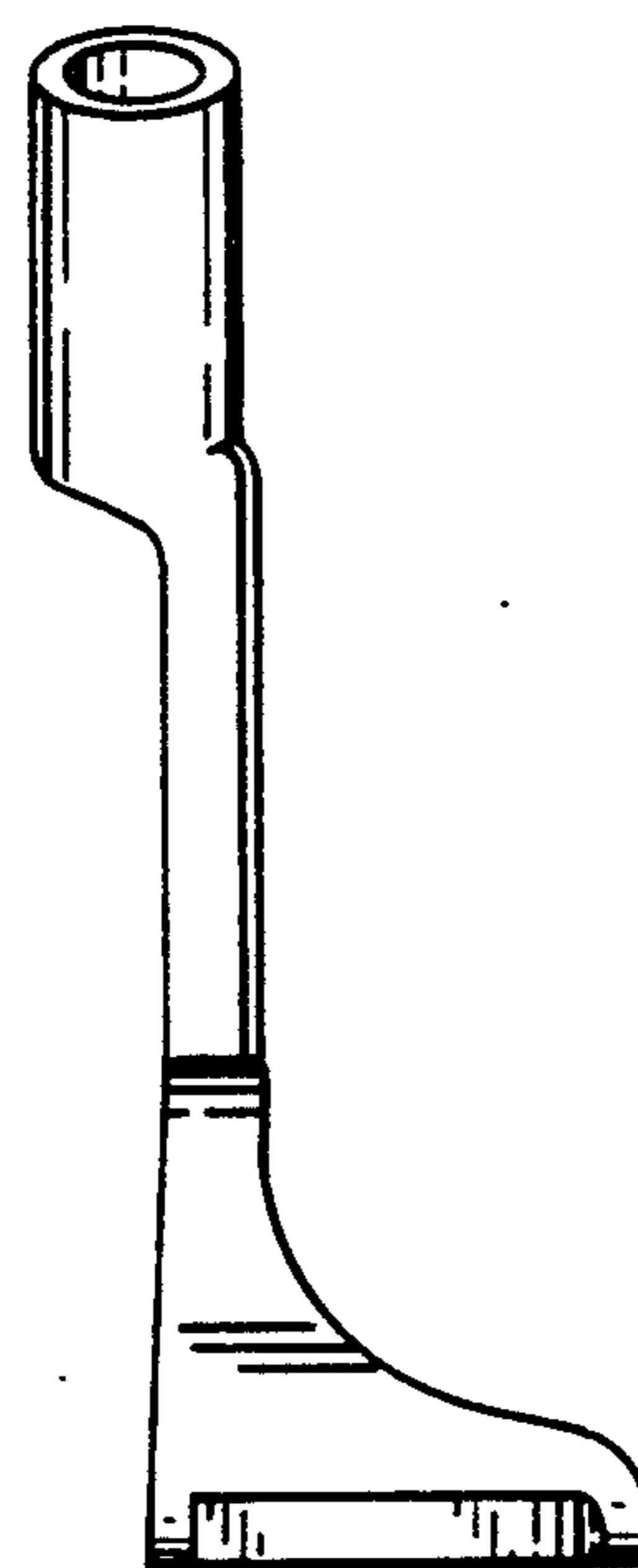
**FIG. 4**



**FIG. 5**



**FIG. 6**



**FIG. 7**

