



US00D324709S

# United States Patent [19]

[11] Patent Number: **Des. 324,709**

**Lehtonen**

[45] Date of Patent: **\*\* Mar. 17, 1992**

[54] **ROWING MACHINE**

[56] **References Cited**

[75] Inventor: **Kari Lehtonen, Paimio, Finland**

### U.S. PATENT DOCUMENTS

D. 265,110	6/1982	Lafont .....	D21/195
4,284,272	8/1981	Evans et al. ....	272/133
4,346,886	8/1982	Cox et al. ....	272/133
4,974,832	12/1990	Dalebout .....	272/145

[73] Assignee: **Tunturipyora Oy, Turku, Finland**

*Primary Examiner*—Charles A. Rademaker  
*Attorney, Agent, or Firm*—Fleit, Jacobson, Cohn, Price, Holman & Stern

[\*\*] Term: **14 Years**

### [57] CLAIM

[21] Appl. No.: **421,719**

The ornamental design for a rowing machine, as shown and described.

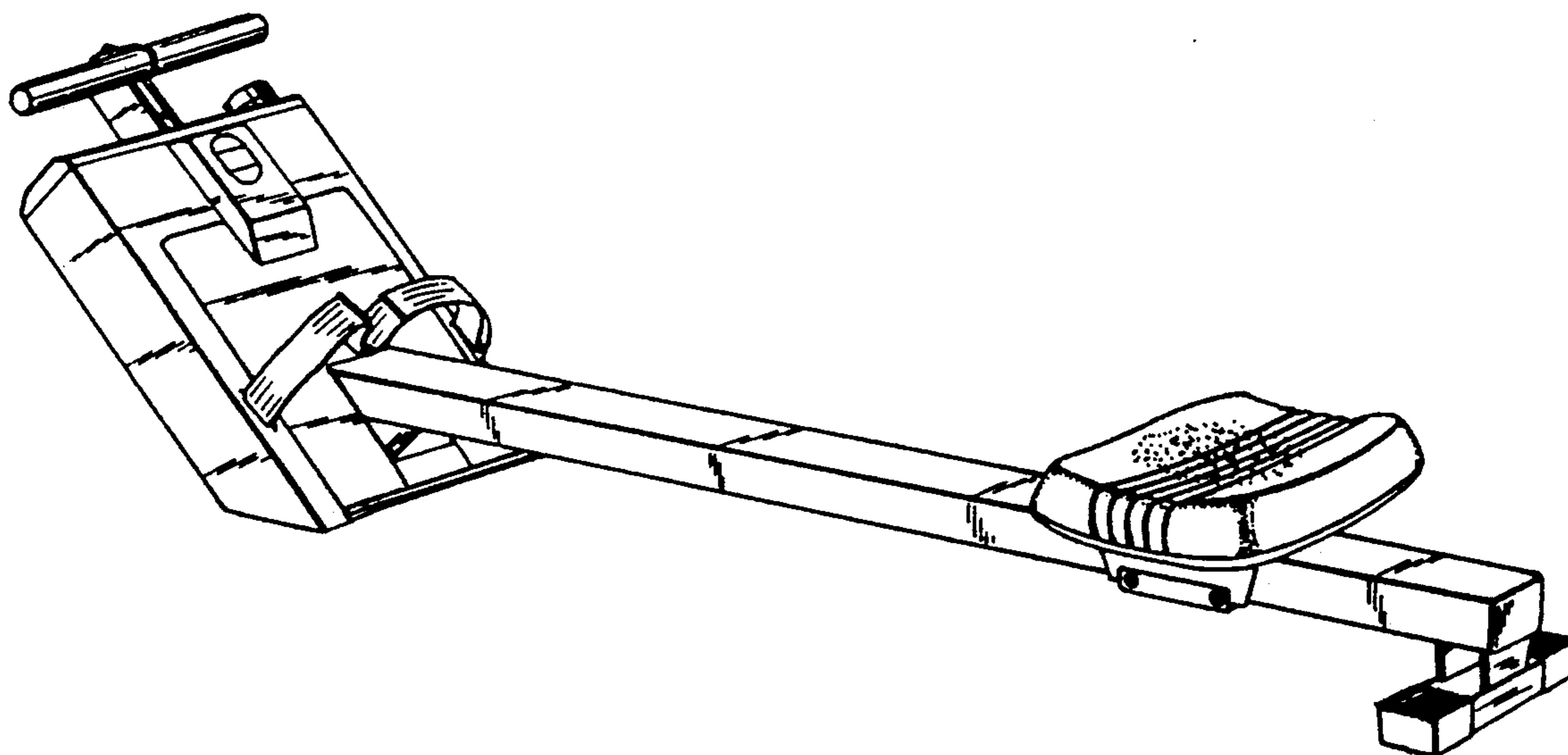
[22] Filed: **Oct. 16, 1989**

### DESCRIPTION

### [30] Foreign Application Priority Data

Apr. 17, 1989	[FI]	Finland .....	371/89
[52]	U.S. Cl.	.....	<b>D21/175</b>
[58]	Field of Search	.....	D21/191-199; 272/61, 112, 125, 126, 133, 34, 143, 144

FIG. 1 is a perspective front view of a rowing machine showing my new design;  
FIG. 2 is a perspective view of the side opposite that shown in FIG. 1;  
FIG. 3 is a bottom view thereof; and  
FIG. 4 is a rear perspective view thereof.



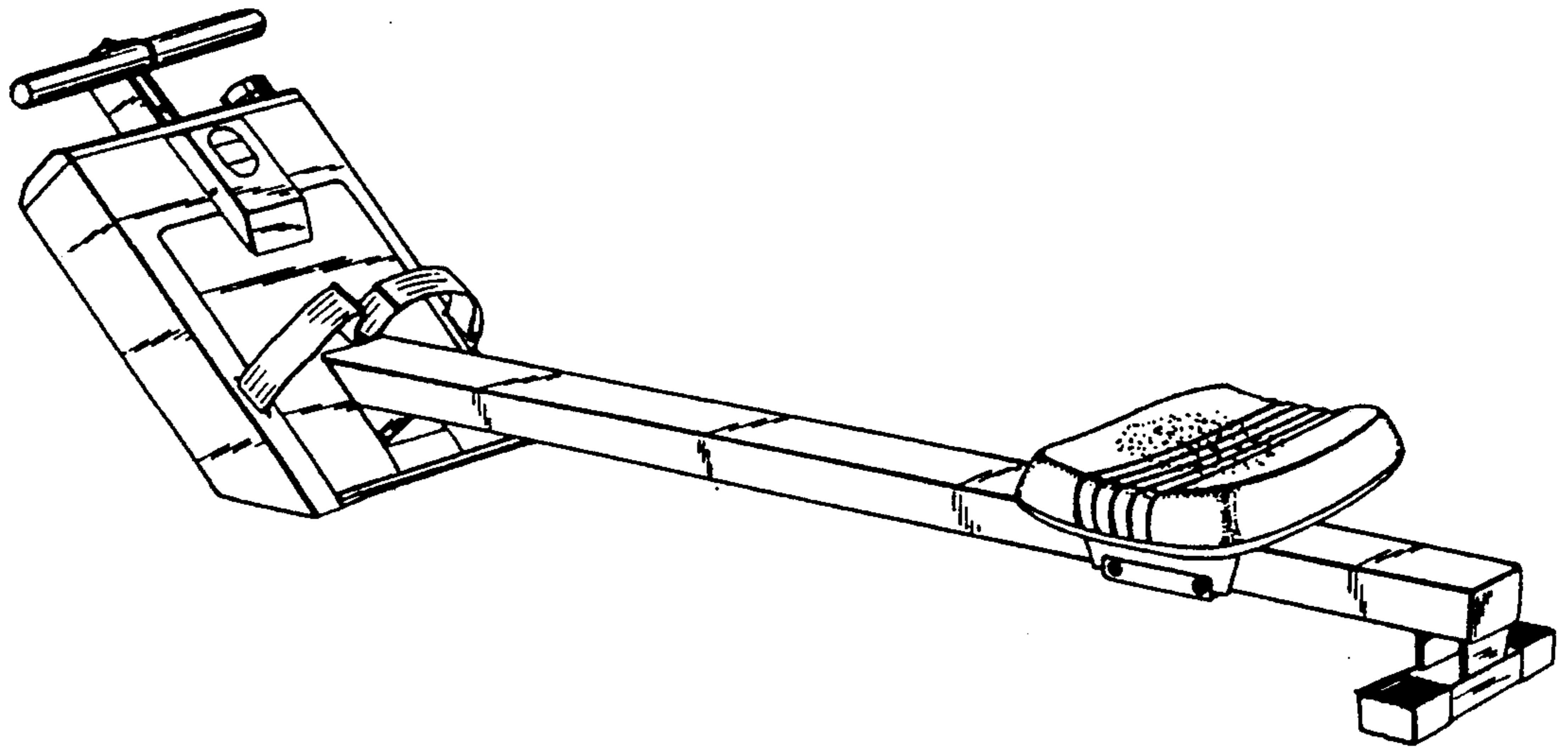


FIG. 1

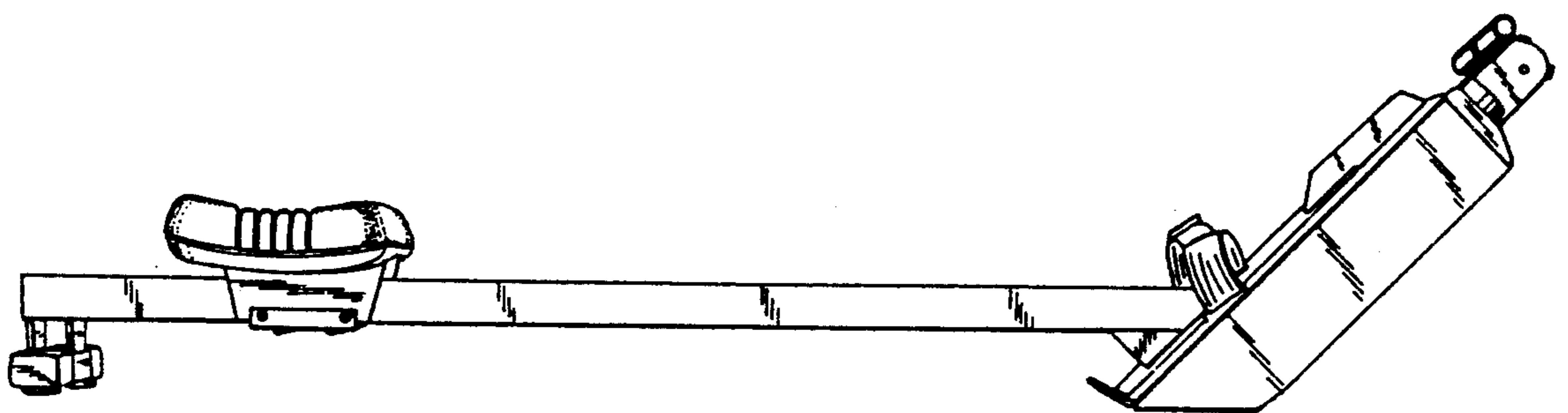


FIG. 2

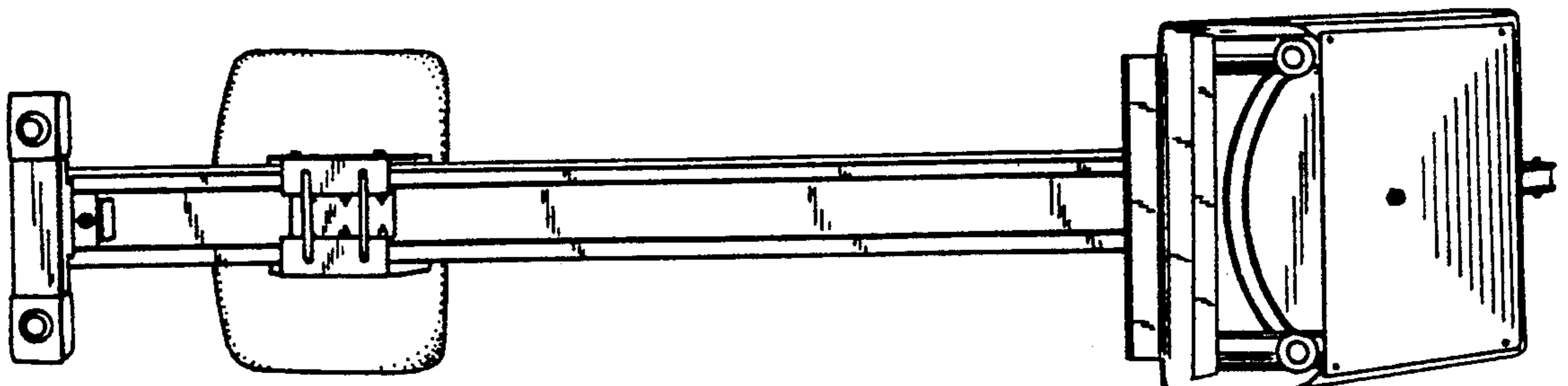


FIG. 3

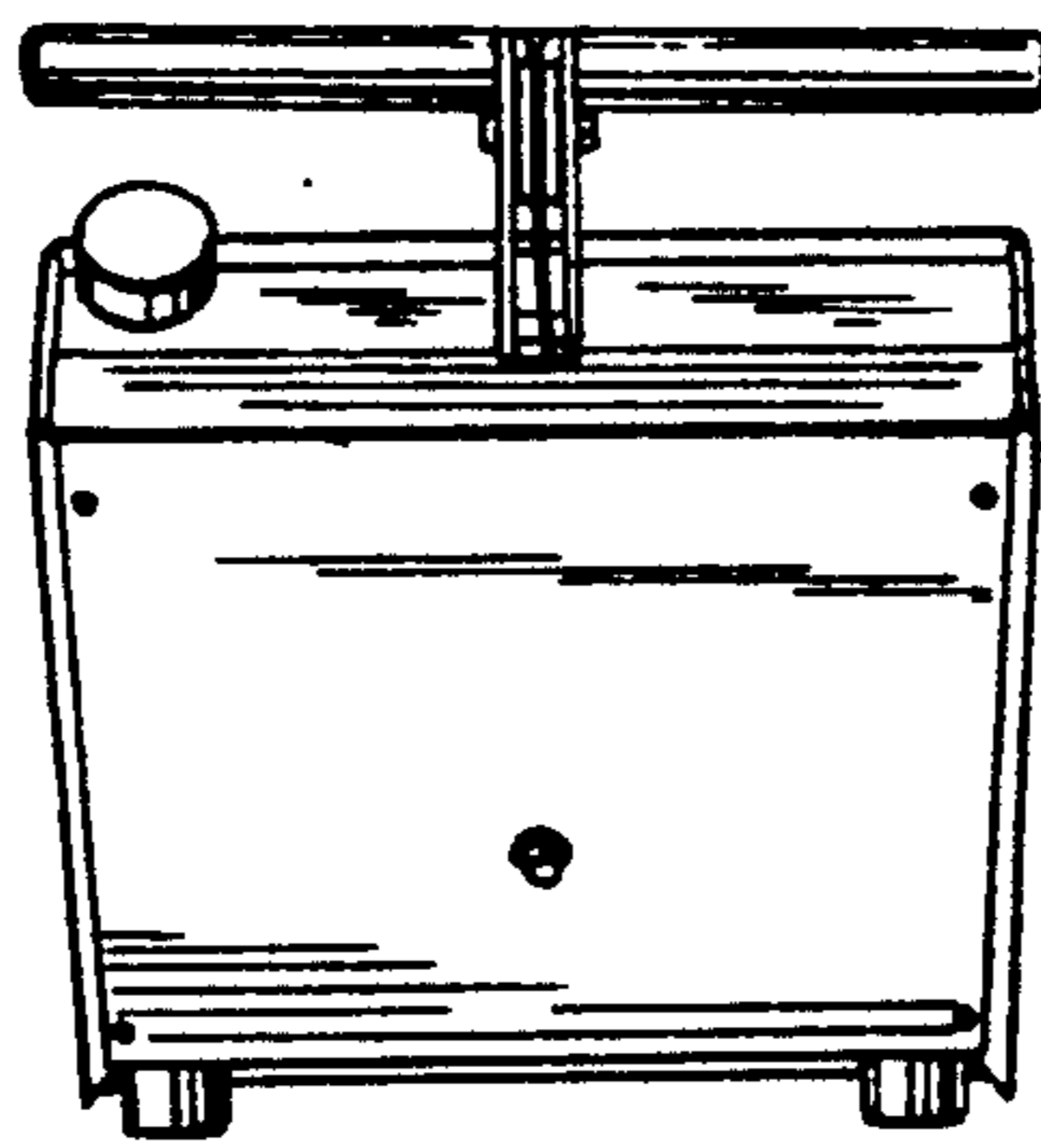


FIG. 4