



US00D324708S

United States Patent [19]

[11] Patent Number: **Des. 324,708**

Walsh

[45] Date of Patent: **** Mar. 17, 1992**

[54] **PHYSICAL EXERCISE FRAME**

[76] Inventor: **Mark S. Walsh**, 1745 S. Cutler Dr.,
Tempe, Ariz. 85281

[**] Term: **14 Years**

[21] Appl. No.: **496,625**

[22] Filed: **Mar. 21, 1990**

[52] U.S. Cl. **D21/191**

[58] Field of Search **D21/191-199;**
272/93, 67, 68, 109, 125, , 144, 195, 133, 134,
116-118

D. 290,033 5/1987 Policastro **D21/191**
 D. 301,270 5/1989 Levenston **D21/198**
 D. 314,025 1/1991 Shimer **D21/191**
 4,611,806 9/1986 Terry **D21/191**

Primary Examiner—Charles A. Rademaker
Attorney, Agent, or Firm—Warren F. B. Lindsley

[57] CLAIM

The ornamental design for a physical exercise frame, as shown and described.

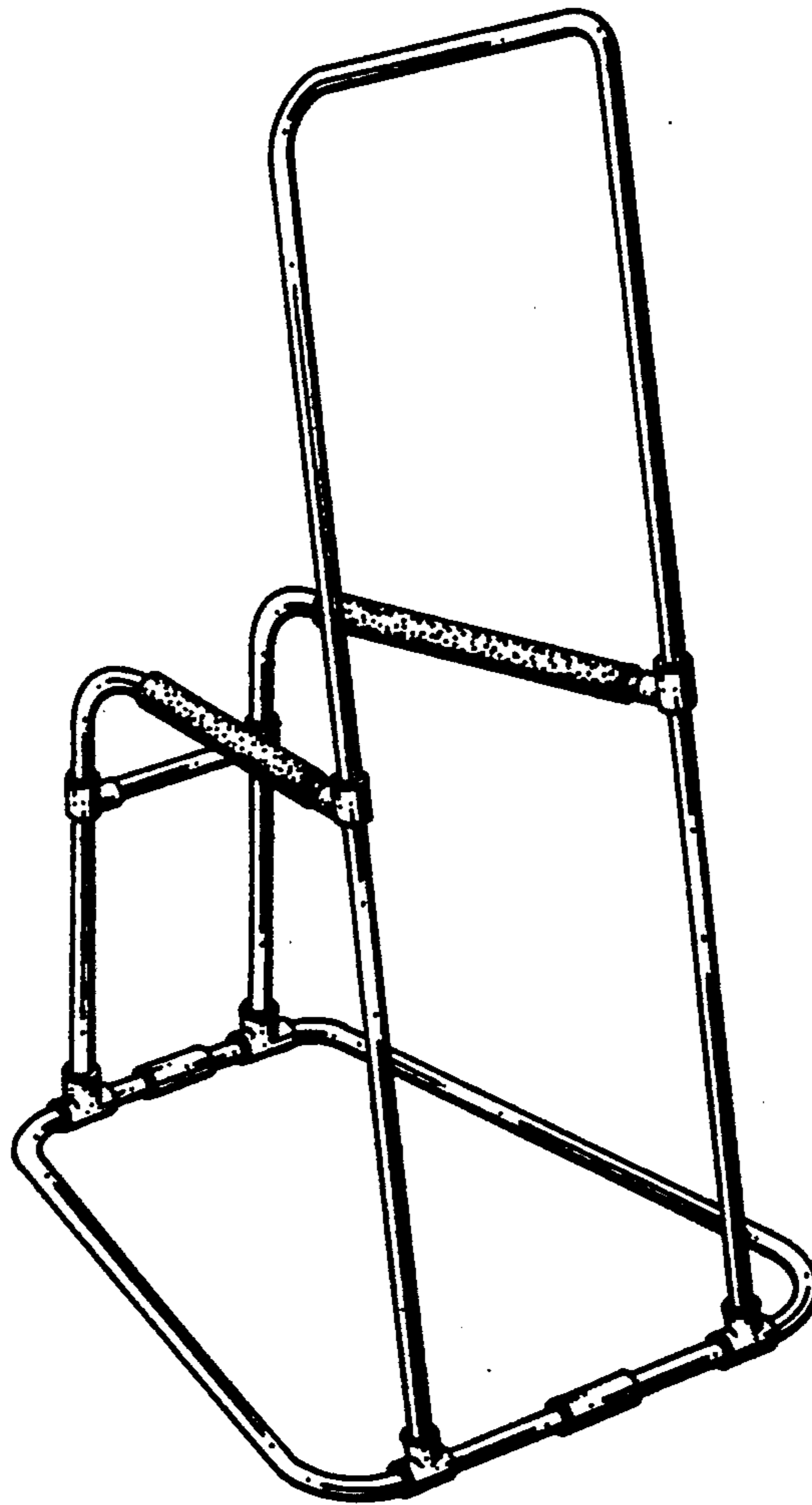
DESCRIPTION

FIG. 1 is a perspective view of a physical exercise frame showing my new design;
 FIG. 2 is a top plan view thereof;
 FIG. 3 is a front elevational view thereof;
 FIG. 4 is a rear elevational view thereof;
 FIG. 5 is a right side elevational view thereof; and
 FIG. 6 is a bottom plan view thereof.

[56] **References Cited**

U.S. PATENT DOCUMENTS

D. 265,575 7/1982 Lunford **D21/191**
 D. 267,419 12/1982 Komarnicki **D21/191**
 D. 277,399 5/1883 Worthington **D21/191**



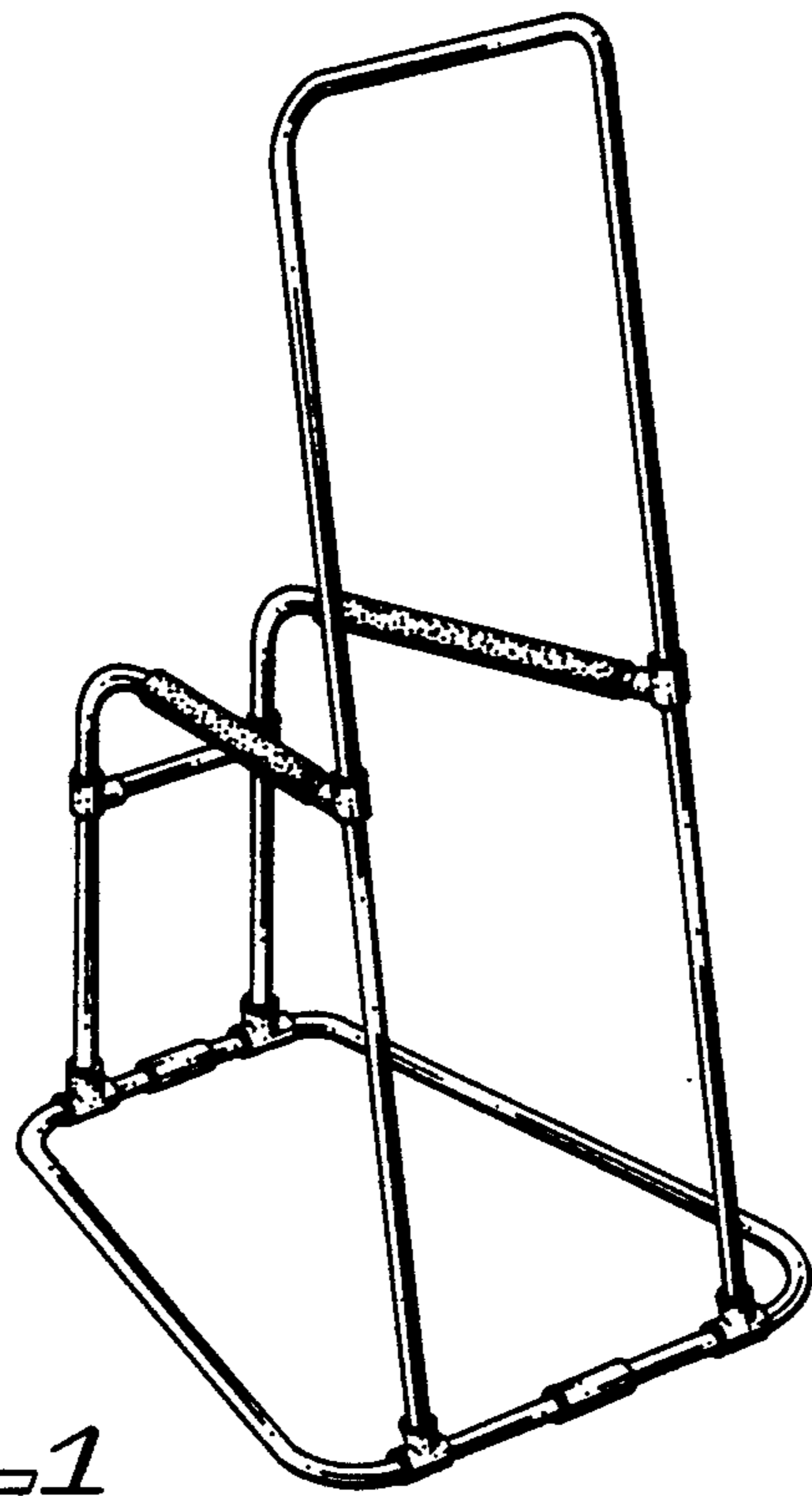


FIG. 1

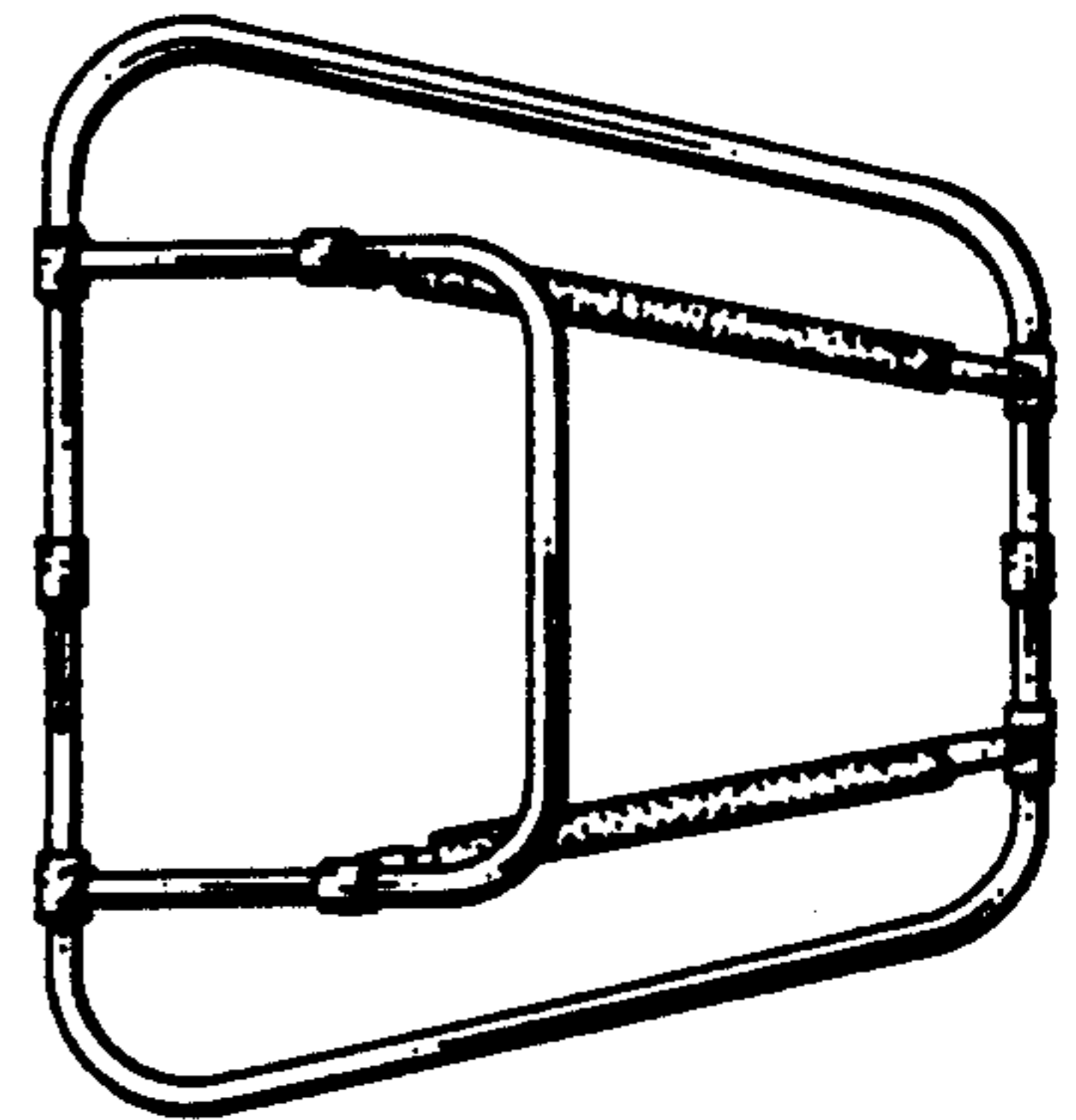


FIG. 2

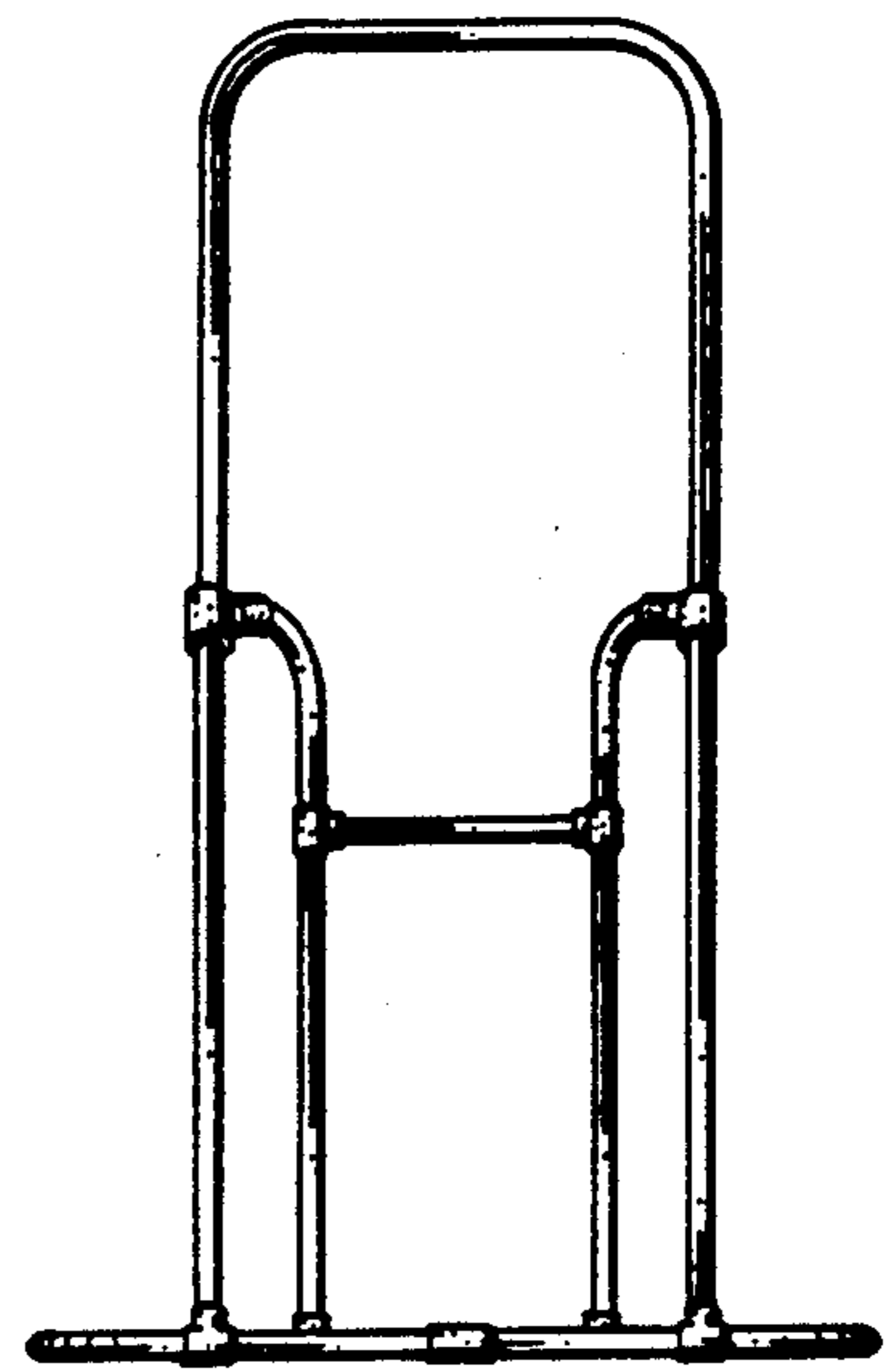


FIG. 3

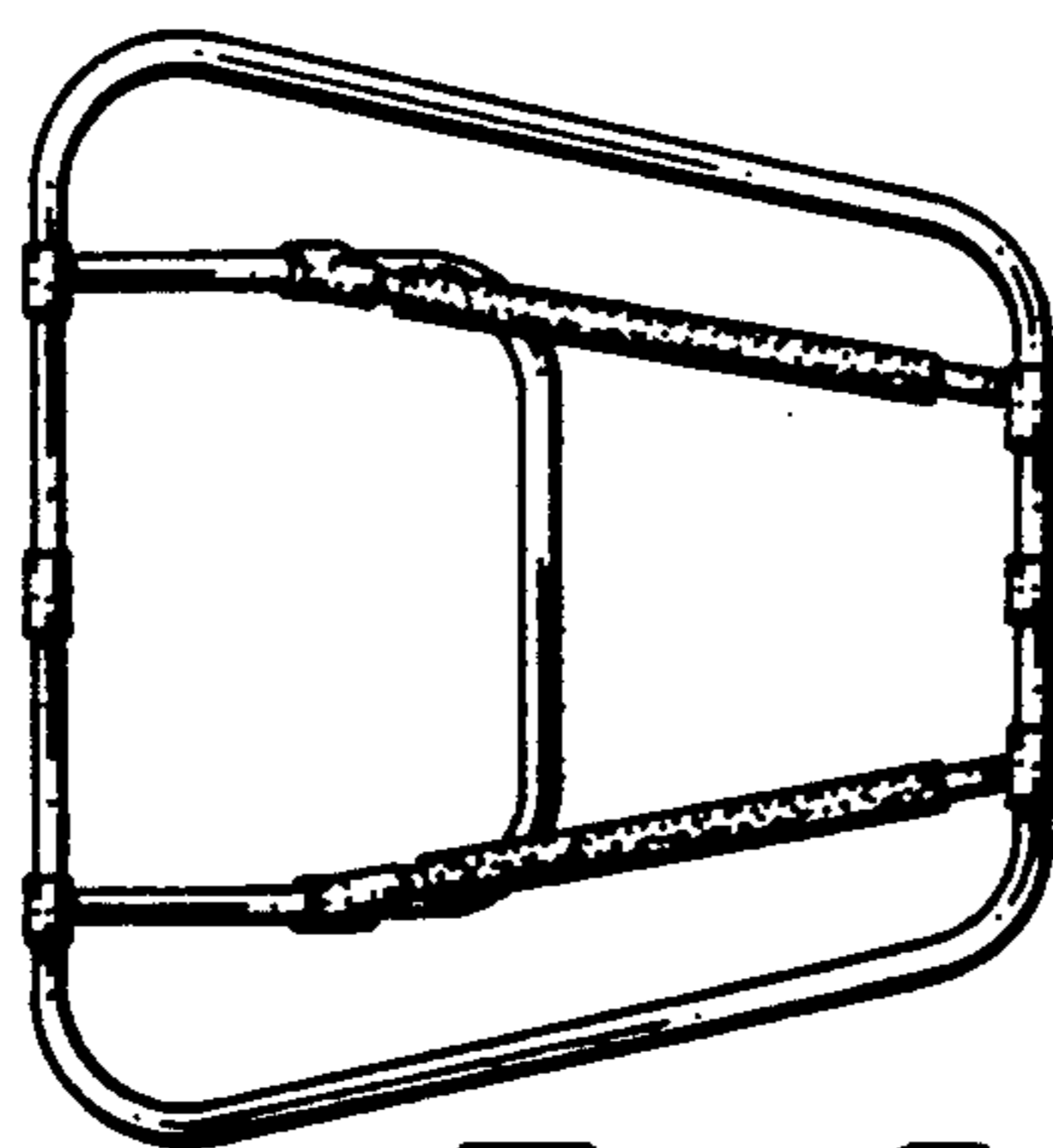


FIG. 6

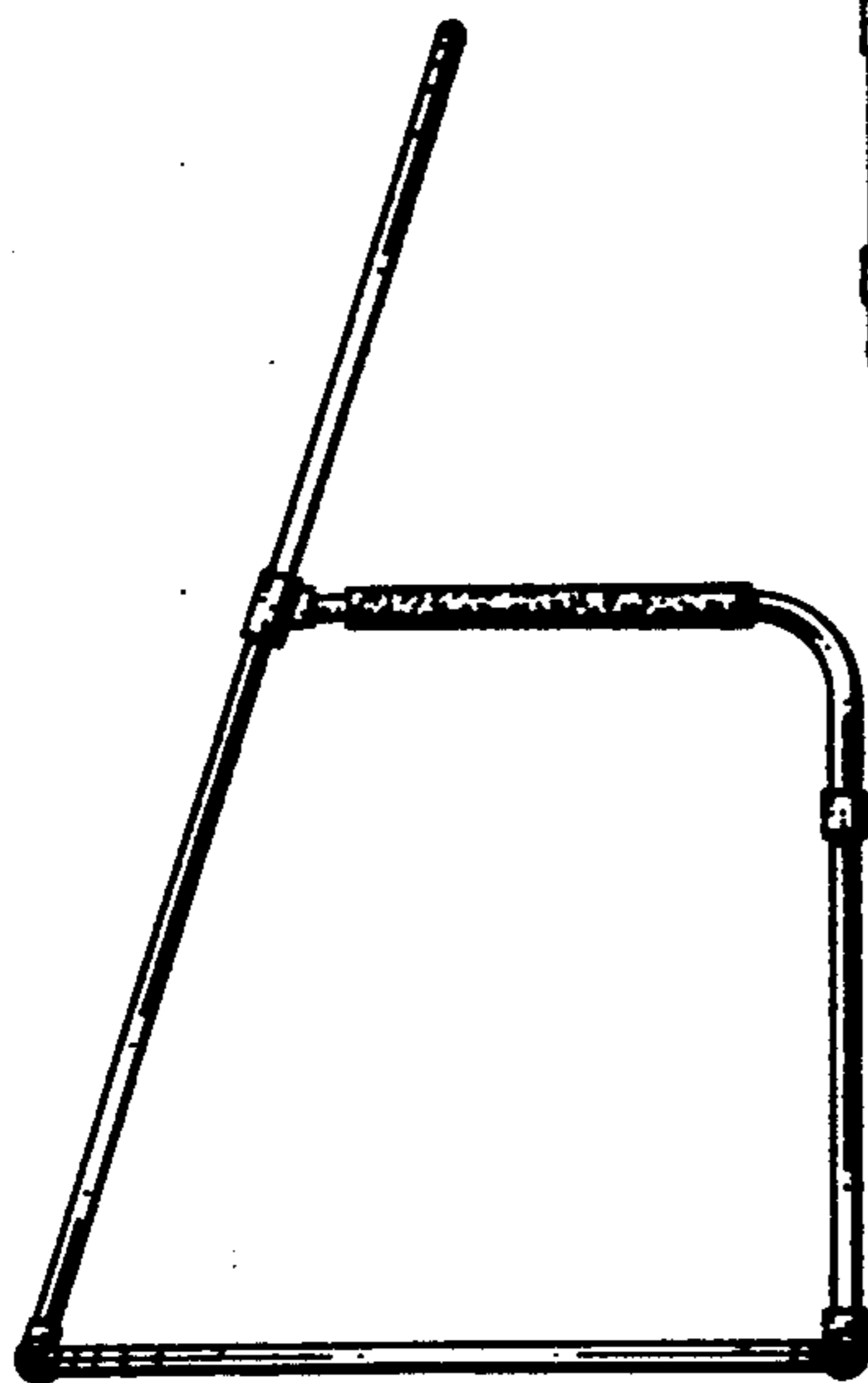


FIG. 5

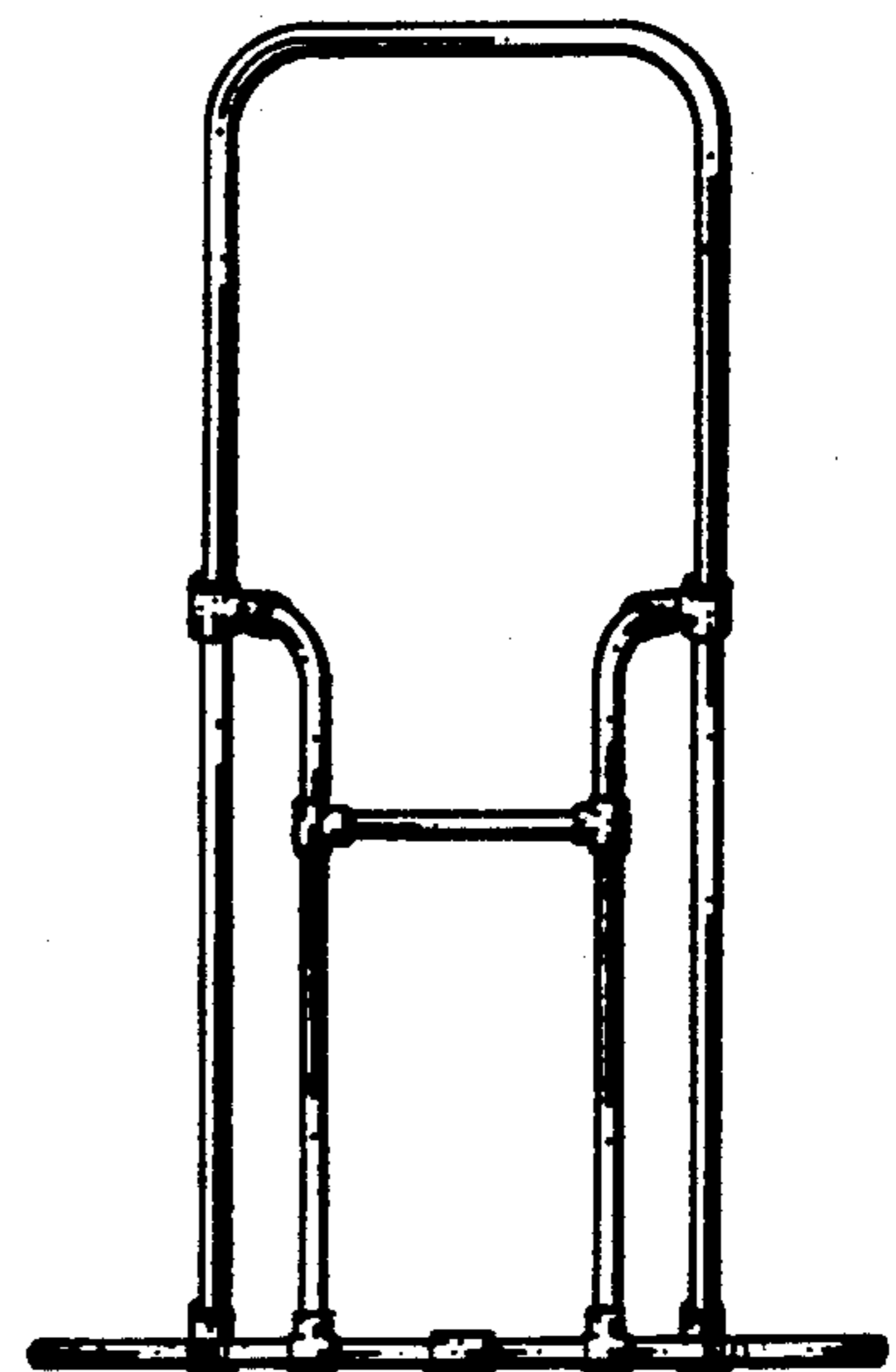


FIG. 4