



US00D324703S

# United States Patent [19]

[11] Patent Number: **Des. 324,703**

**Banko et al.**

[45] Date of Patent: **\*\* Mar. 17, 1992**

[54] **CART FOR STORING DISHES OR THE LIKE**

1,561,201 11/1925 Wocel et al. .... D21/56 X  
3,034,517 5/1962 Reiland ..... D21/56 X  
4,611,718 9/1986 Cohn et al. .

[75] Inventors: **Ronald C. Banko**, North Wales;  
**Willard J. Sickles**, Dalton, both of Pa.

### OTHER PUBLICATIONS

Nutting Trucks cat. 6-1949, p. 86G, Fig. 1250, bottom left of the page.  
ANCO Trucks, 1973, cat. 68-A, p. 18, top of the page, #1375.

[73] Assignee: **InterMetro Industries Corp.**, Wilkes-Barre, Pa.

*Primary Examiner*—Bernard Ansher  
*Assistant Examiner*—Prabhakar Deshmukh  
*Attorney, Agent, or Firm*—Fitzpatrick, Cella, Harper & Scinto

[\*\*] Term: **14 Years**

[21] Appl. No.: **352,905**

[22] Filed: **May 17, 1989**

[52] U.S. Cl. .... **D21/56; D34/17; D21/53**

### [57] CLAIM

[58] Field of Search ..... **D21/54-58; 273/148 A, 148 R, 150; D34/5, 14, 17, 19, 21, 23; D6/476; 312/133; 211/49.1, 50, 59.2**

The ornamental design for a cart for storing dishes or the like, as shown and described.

### DESCRIPTION

### [56] References Cited

#### U.S. PATENT DOCUMENTS

D. 113,324	2/1939	Dicus .....	D21/56
D. 141,951	8/1945	Smith .....	D21/55
D. 295,097	4/1988	Cohn et al. . .	
D. 305,822	1/1990	Kolvites et al. ....	D34/19
D. 314,216	1/1991	Banko et al. ....	D21/56
617,478	1/1899	Cohen .....	D21/56 X

FIG. 1 is a perspective view of a cart for storing dishes or the like showing our new design; FIG. 2 is a front elevation thereof; all other side elevations being identical thereto; FIG. 3 is a top plan view thereof; and FIG. 4 is a bottom plan view thereof. The broken line showing of wheels is for illustrative purpose and forms no part of the claim.

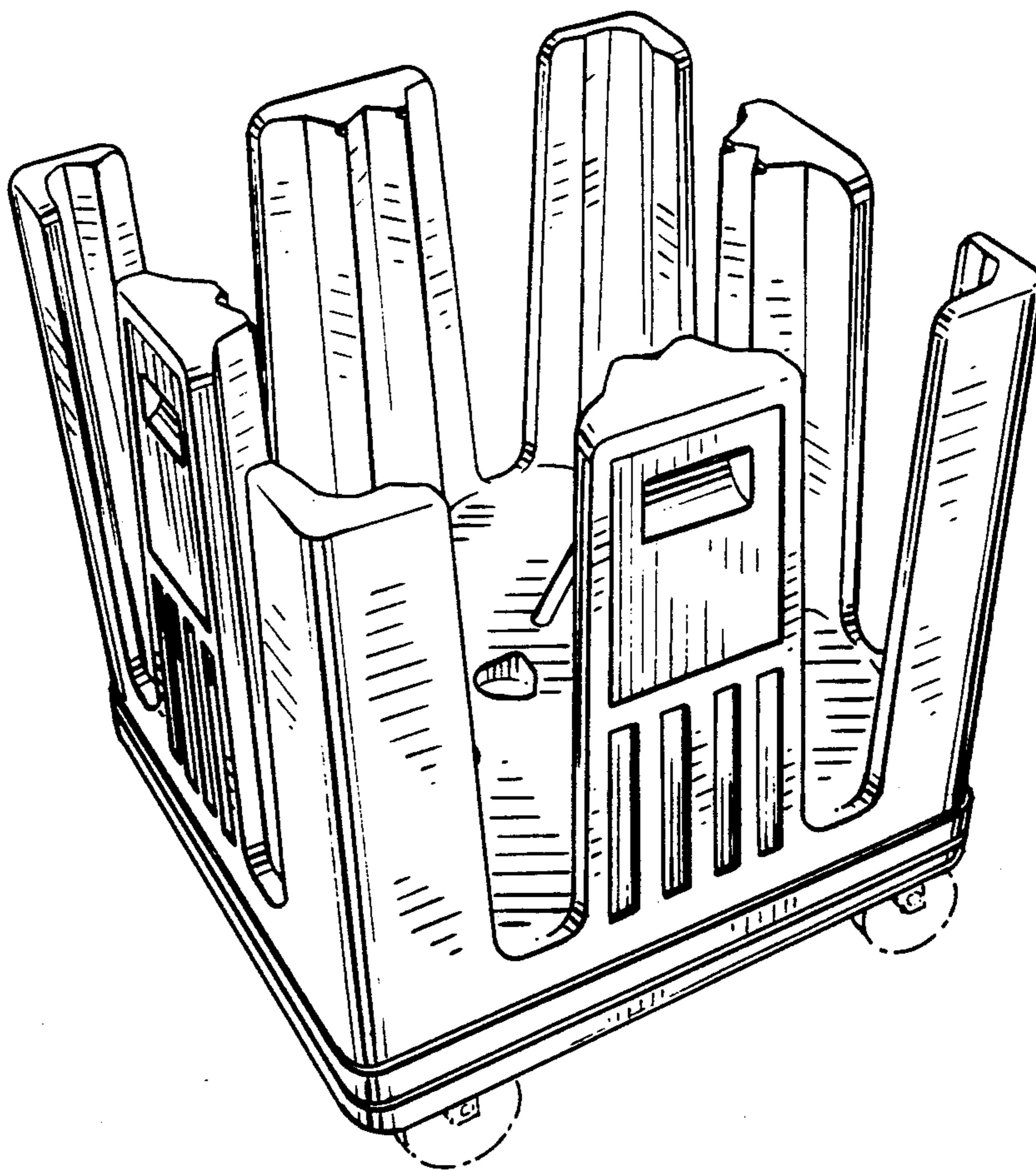


Fig. 2.

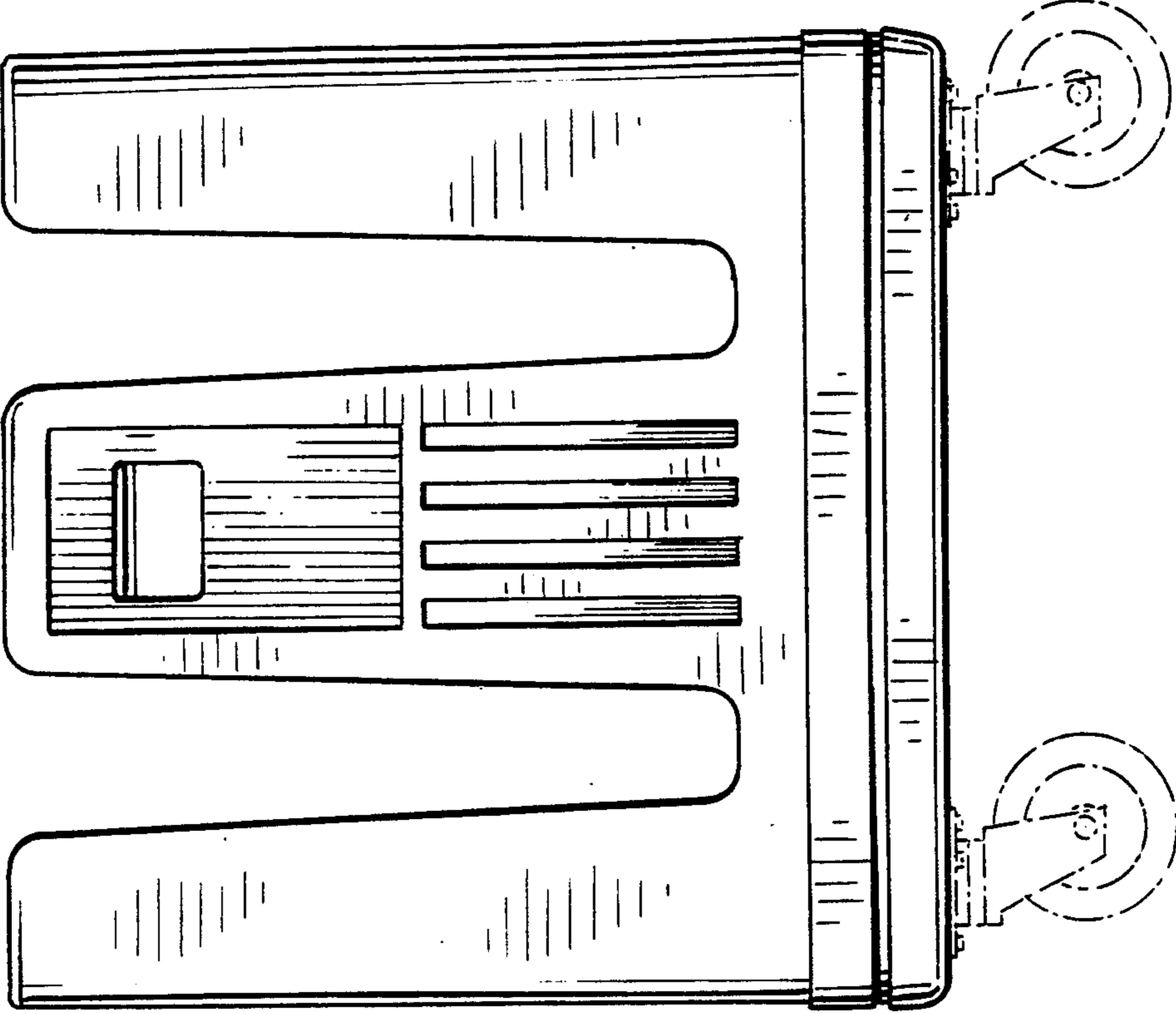


Fig. 1.

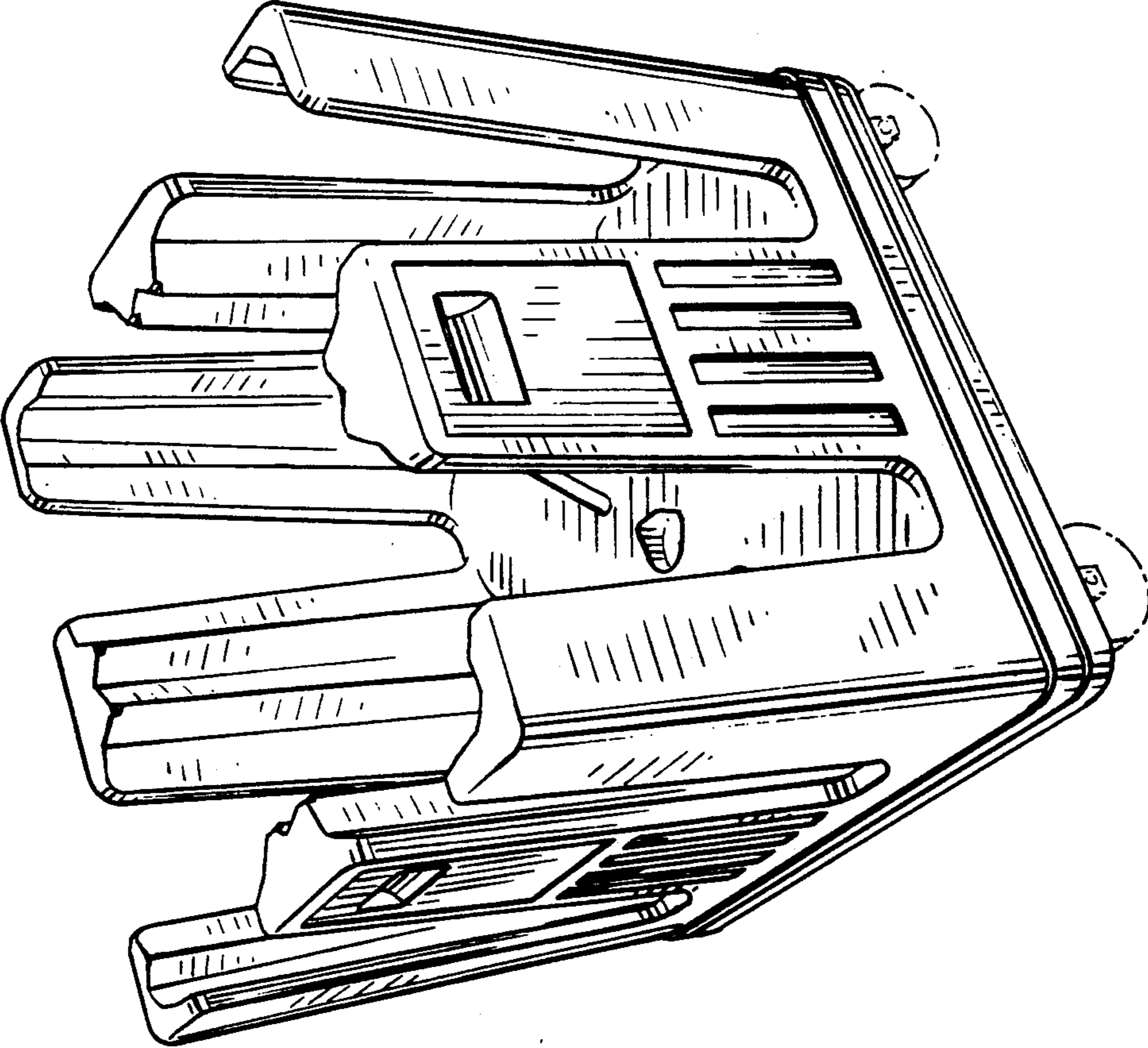


Fig. 3.

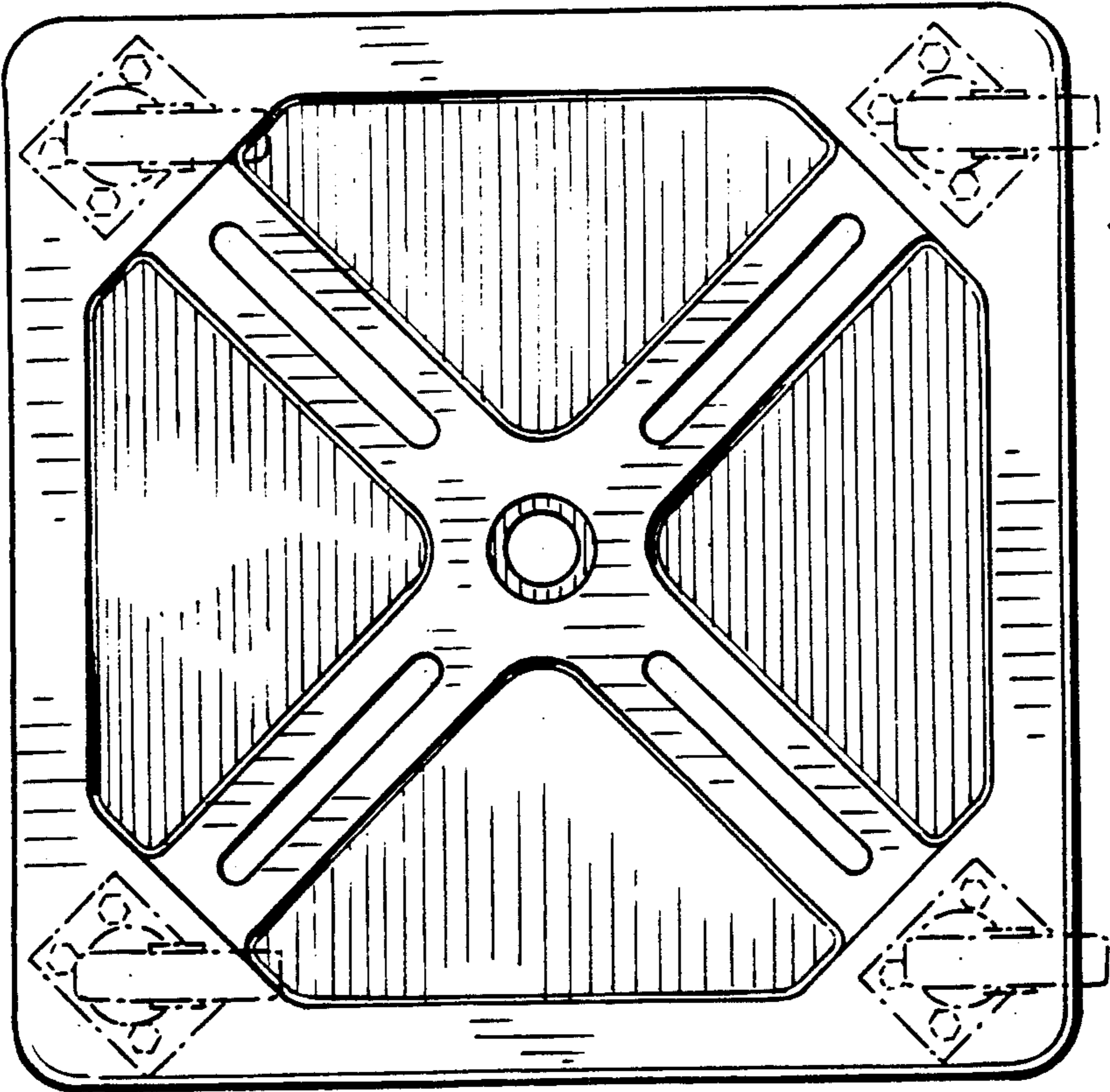
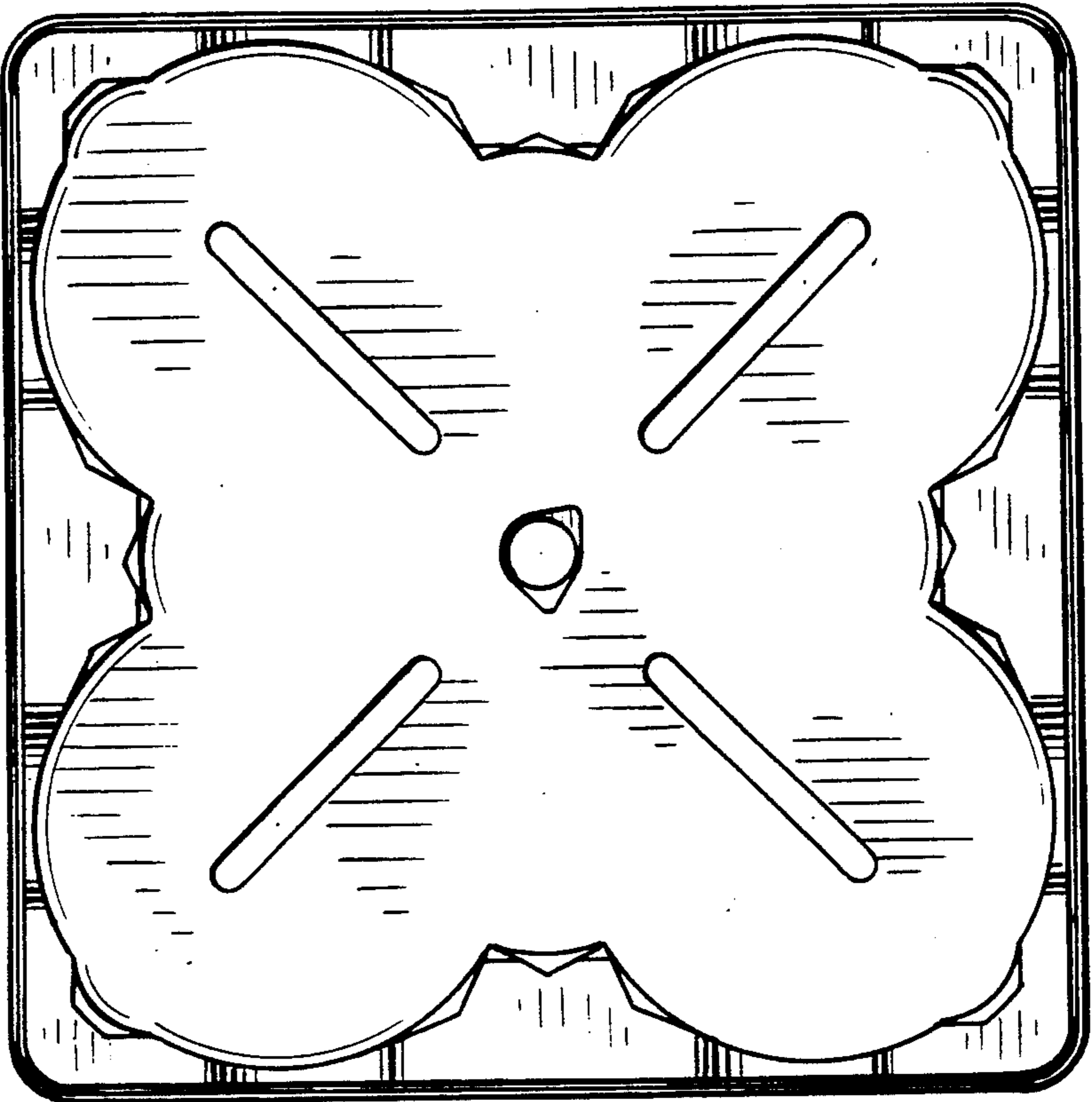


Fig. 4.