



US00D324697S

United States Patent [19]

[11] Patent Number: **Des. 324,697**

Bushman

[45] Date of Patent: **** Mar. 17, 1992**

[54] **PAGE PRINTER**

[75] Inventor: **Douglas C. Bushman, Houston, Tex.**

[73] Assignee: **Compaq Computer Corporation, Houston, Tex.**

[**] Term: **14 Years**

[21] Appl. No.: **154,626**

[22] Filed: **Feb. 10, 1988**

[52] U.S. Cl. **D18/55**

[58] Field of Search **D18/13, 36; D14/100, D14/107, 111, 118; 101/420, 130; 400/126, 613, 691-694, 613.1-613.4; 364/708**

[56] **References Cited**

U.S. PATENT DOCUMENTS

- D. 291,095 7/1987 Morozumi et al. D18/13
- D. 306,744 3/1990 Yomo D18/13
- D. 307,764 5/1990 Kojima D18/13

Primary Examiner—A. Hugo Word

Assistant Examiner—Cathy Anne MacCormac
Attorney, Agent, or Firm—J. David Cabello;
Christopher Keirs

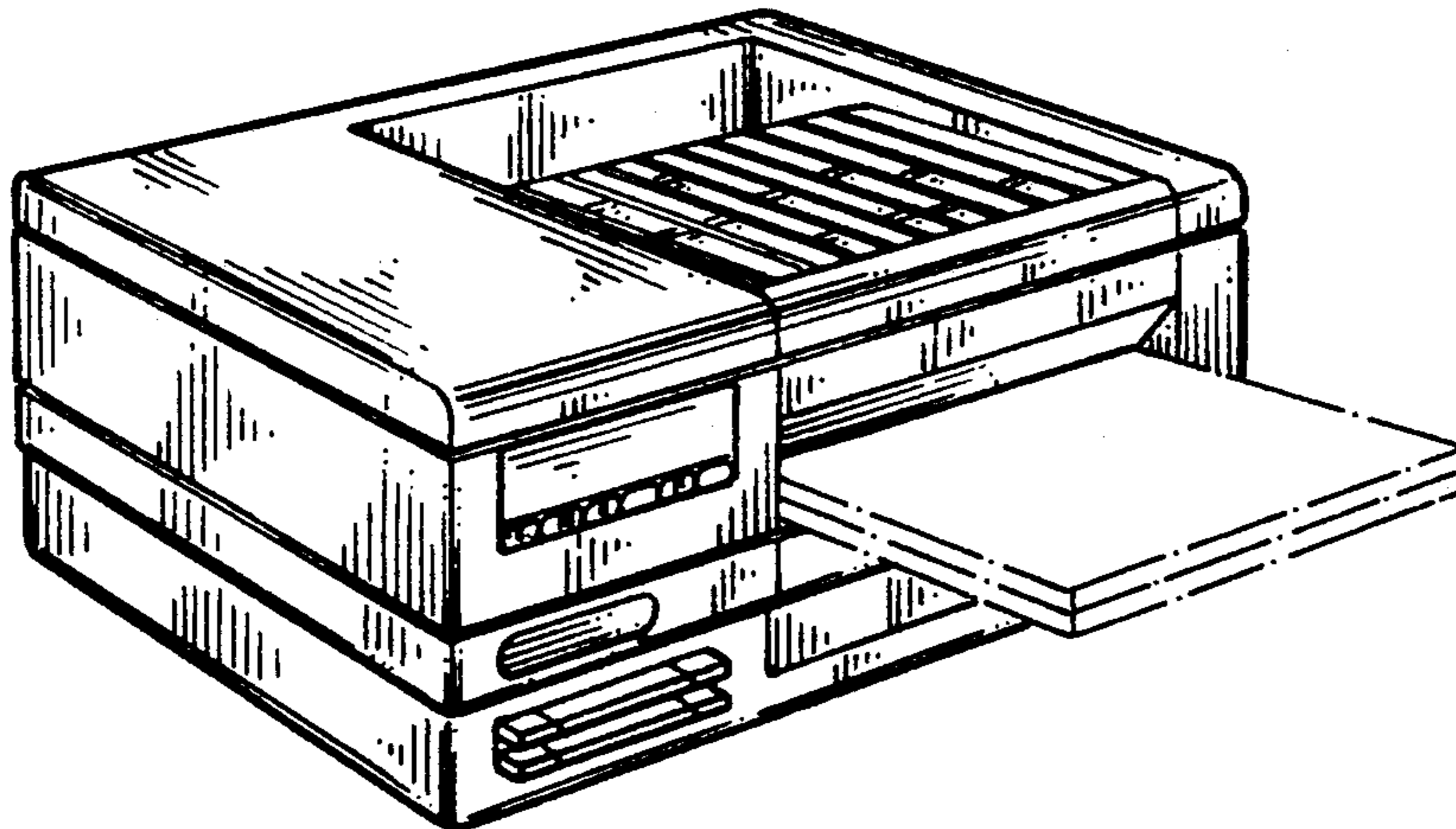
[57] CLAIM

The ornamental design for a page printer, as shown and described.

DESCRIPTION

FIG. 1 is a perspective view taken from the top, front and left side of a page printer showing my new design; FIG. 2 is a front elevational thereof; FIG. 3 is a right side elevational thereof; FIG. 4 is a left side elevational thereof; FIG. 5 is a rear elevational thereof; FIG. 6 is a top plan view thereof; FIG. 7 is a bottom plan view thereof; and FIG. 8 is another perspective view thereof with the paper tray removed.

The broken line representation of a paper tray in FIGS. 1, 3, 4, 6, and 7 are for purposes of illustration and form no part of the claimed design.



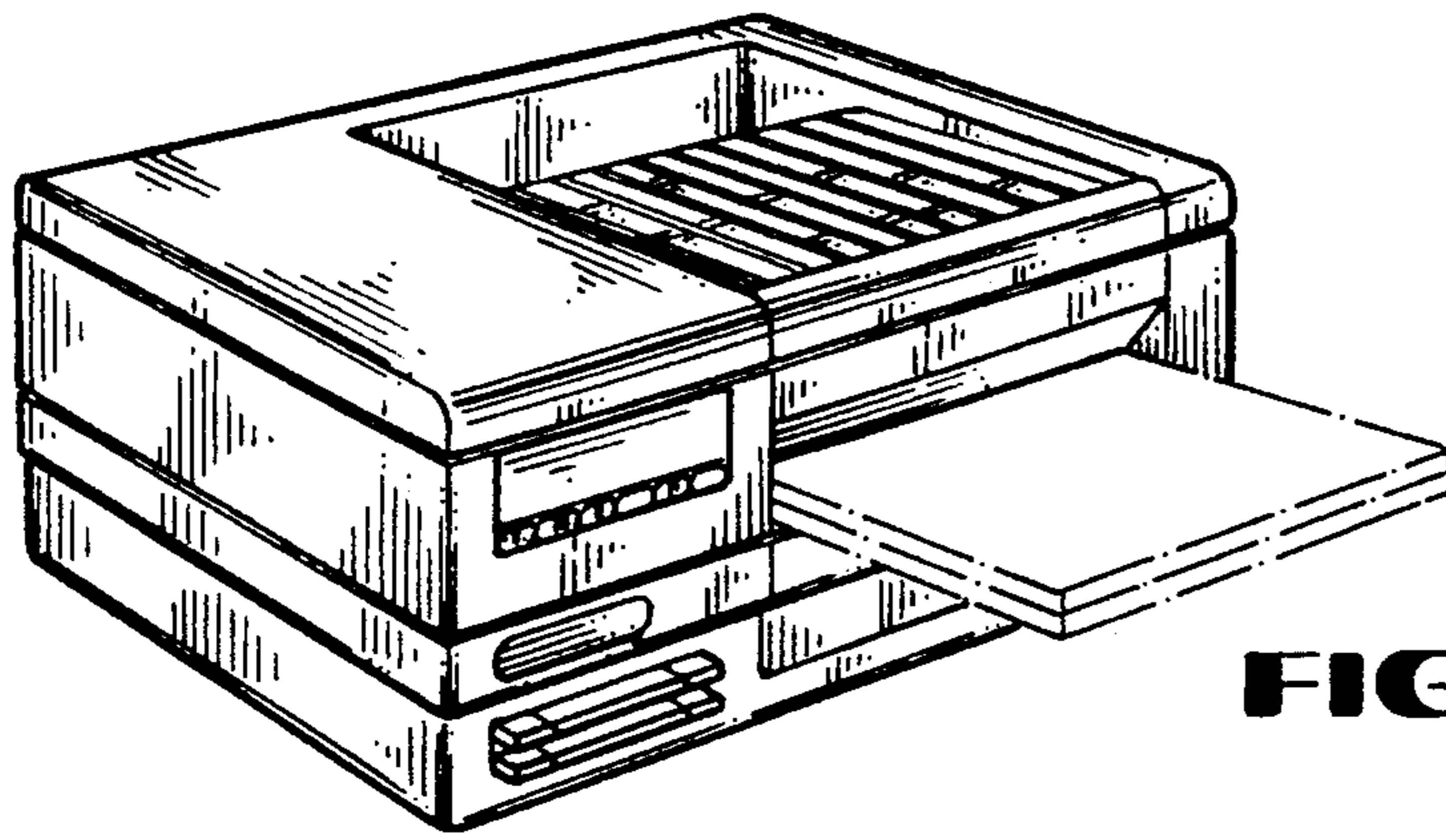


FIG. 1

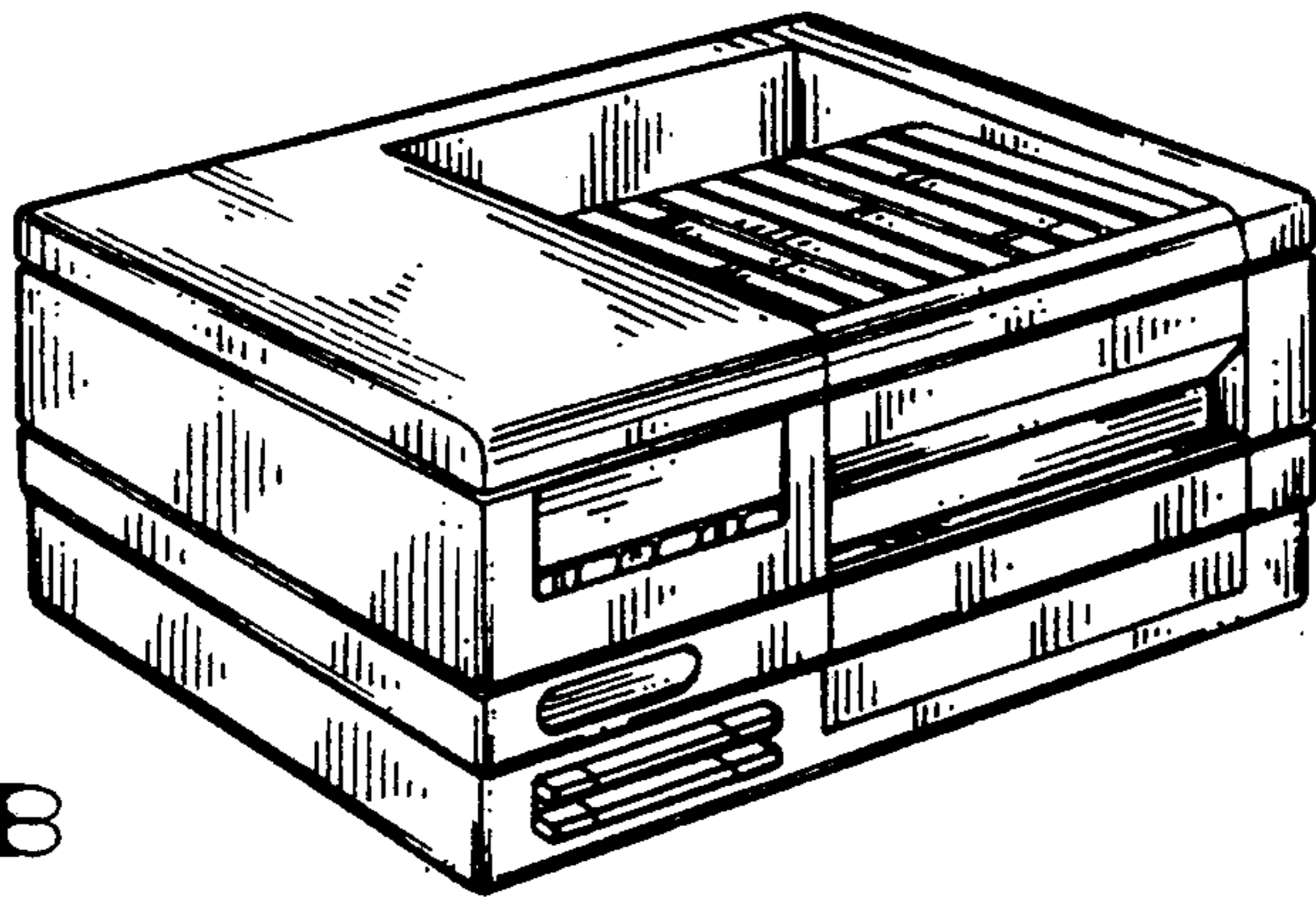


FIG. 8

FIG. 2

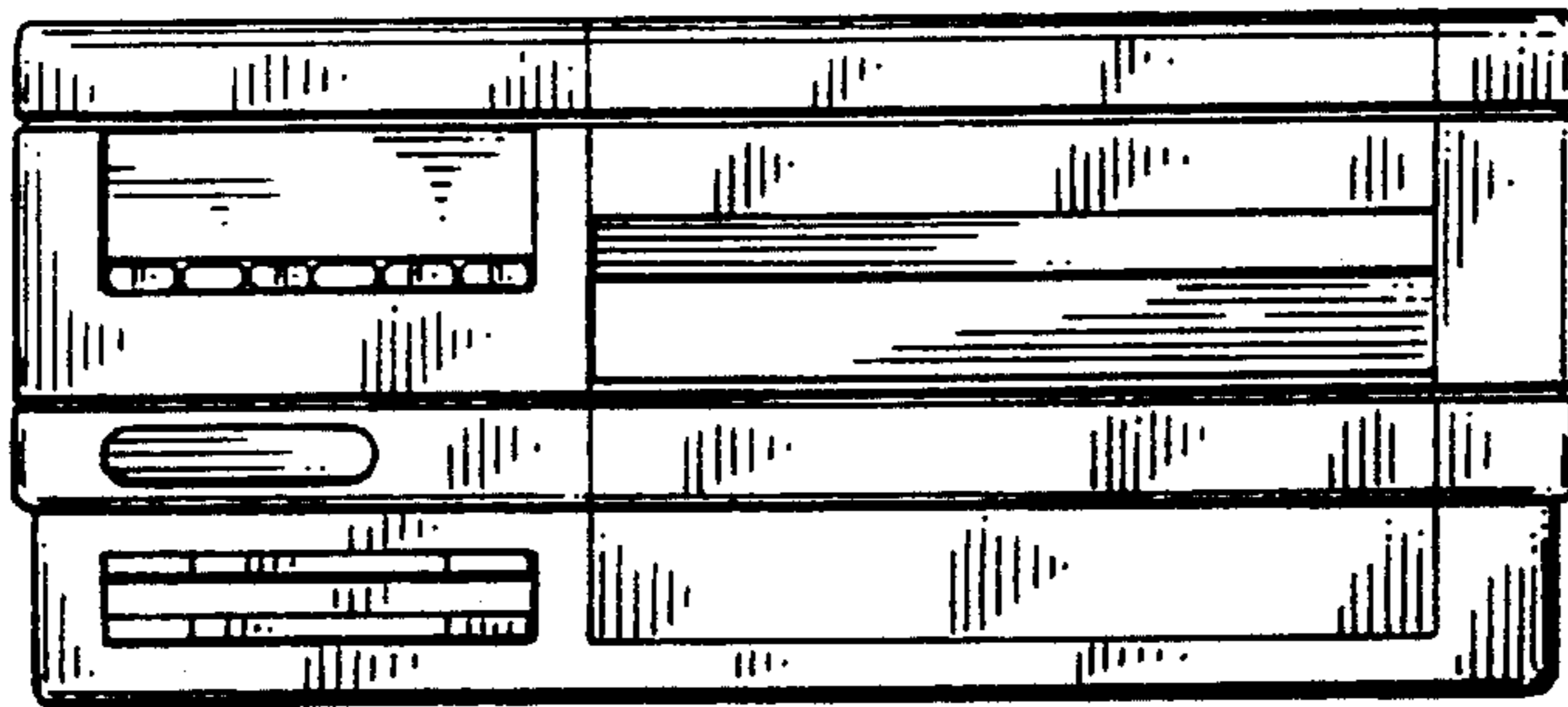
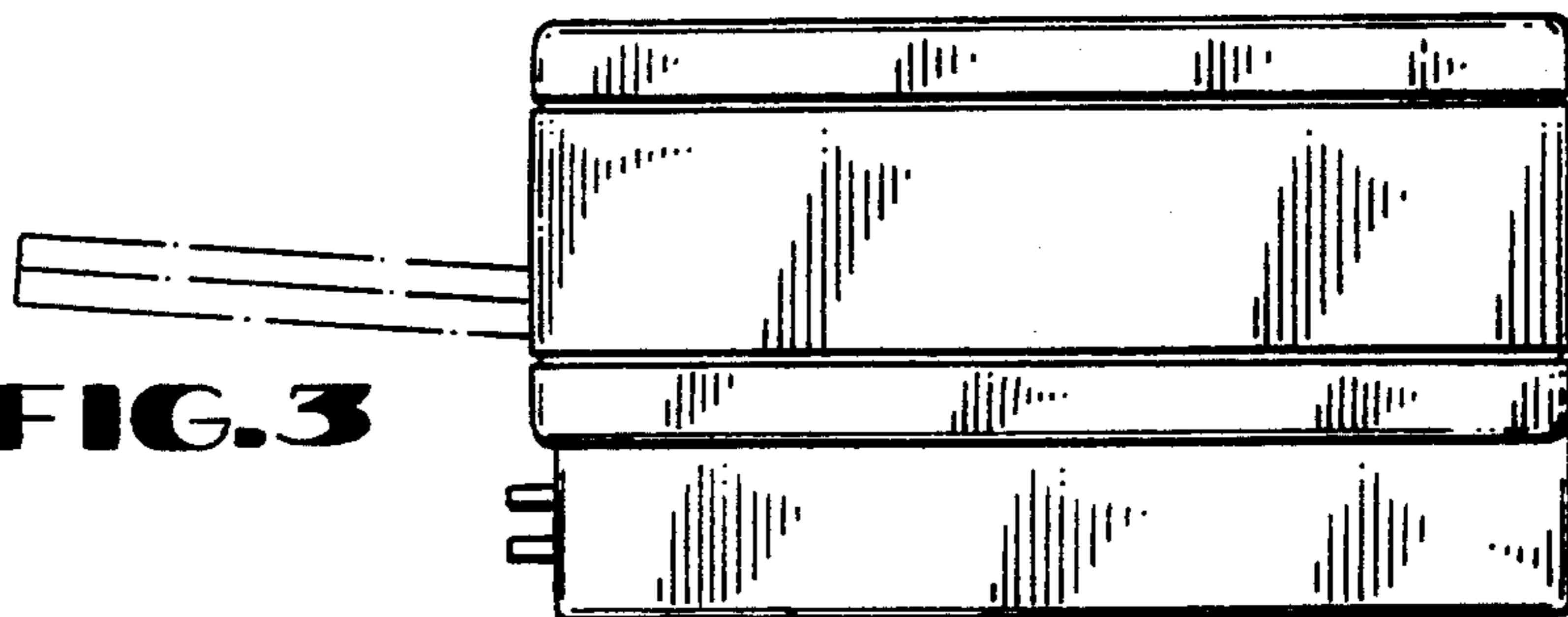


FIG. 3



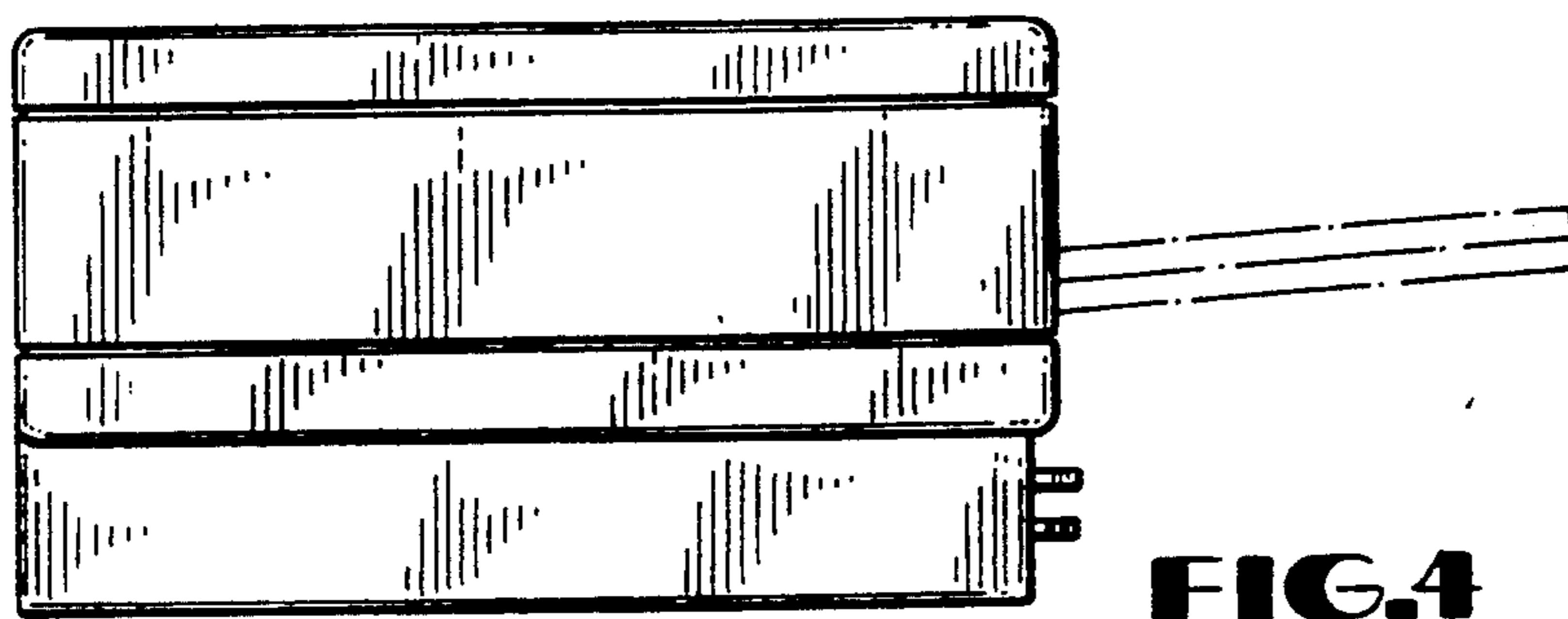


FIG. 4

FIG. 5

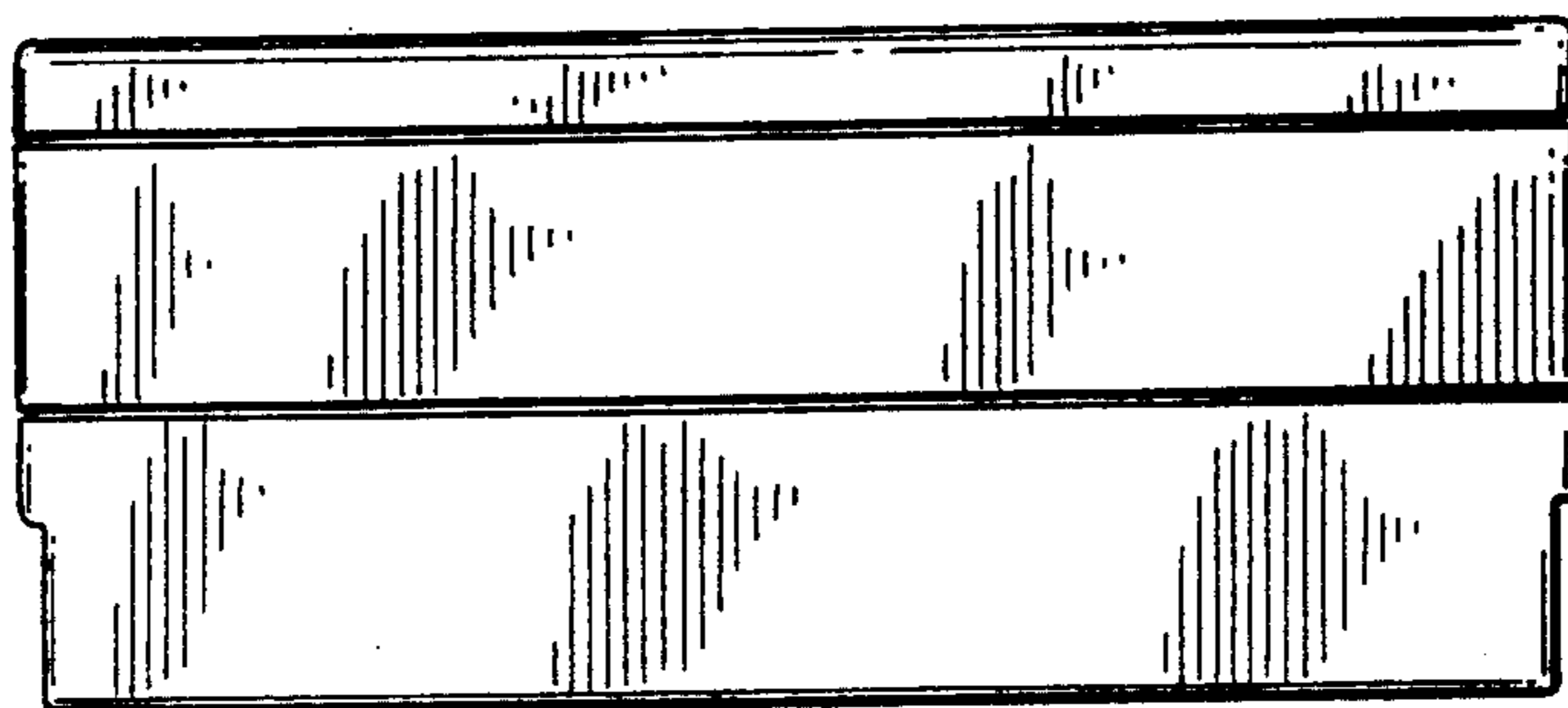
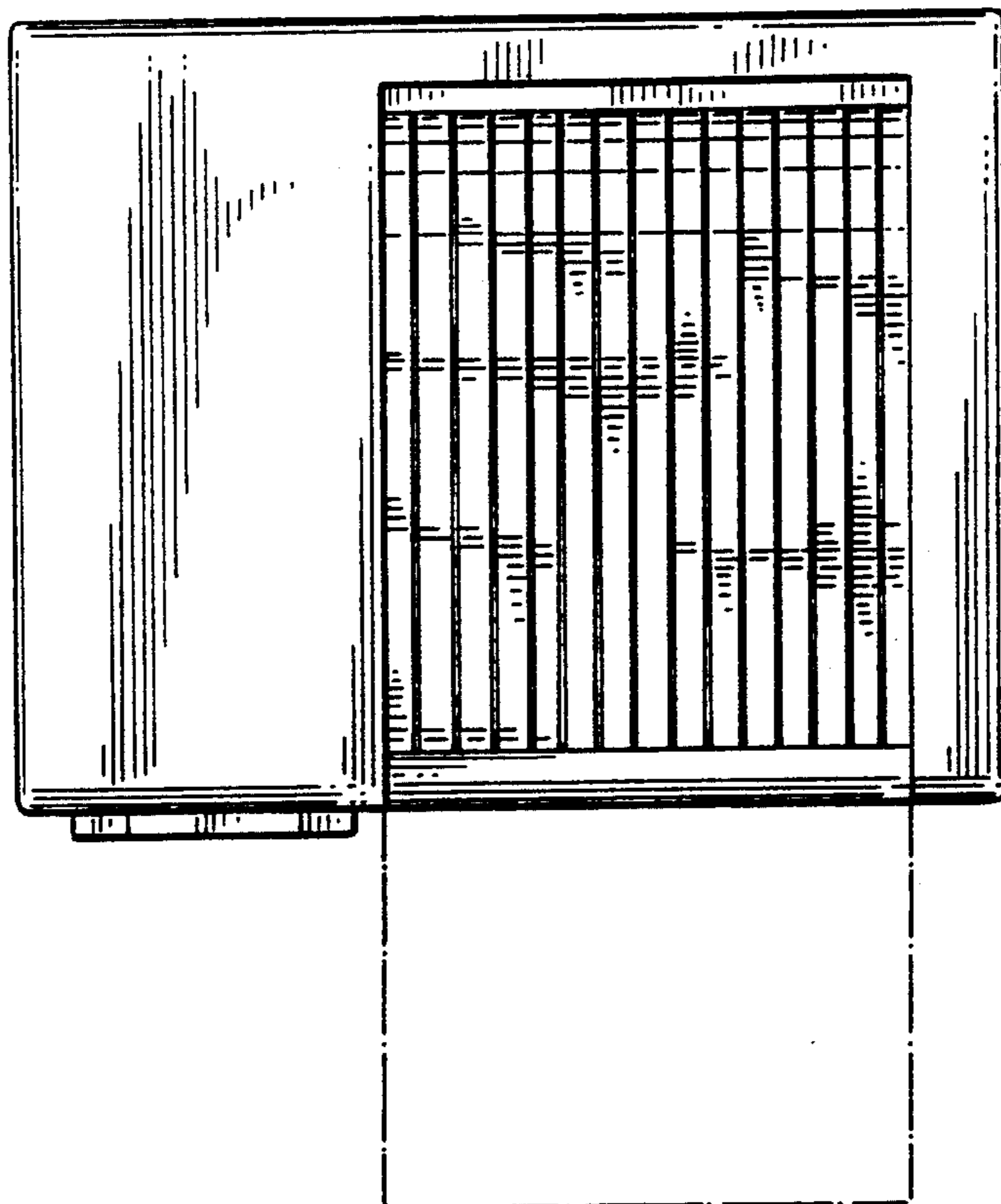


FIG. 6



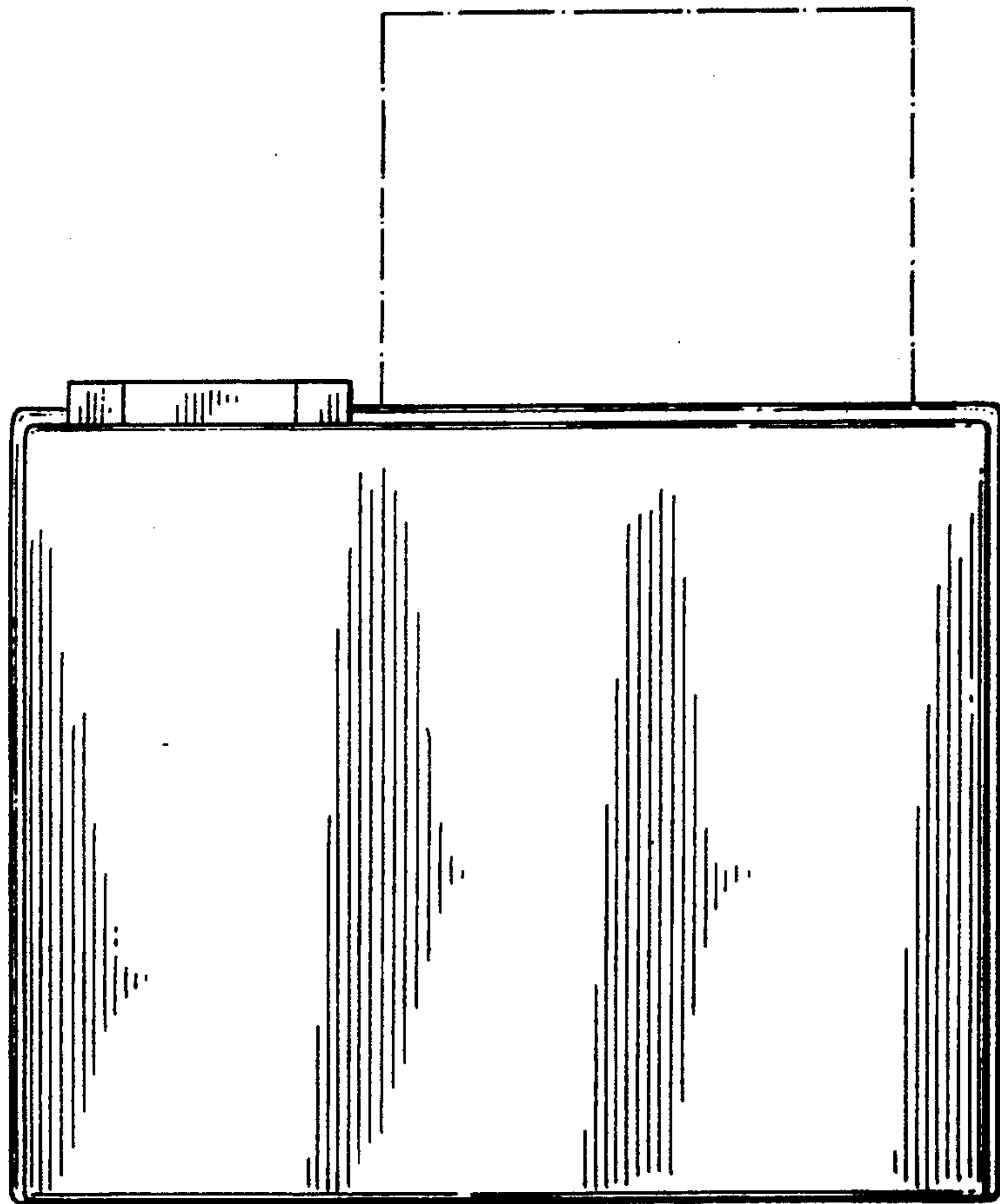


FIG. 7