



US00D324695S

United States Patent [19]

Malone

[11] Patent Number: **Des. 324,695**

[45] Date of Patent: **** Mar. 17, 1992**

- [54] **ADDING MACHINE PAPER RE-ROLLER**
- [76] Inventor: **Stephen W. Malone, 707 Tee Cir.,
New Smyrna Beach, Fla. 32069**
- [**] Term: **14 Years**
- [21] Appl. No.: **313,818**
- [22] Filed: **Feb. 23, 1989**
- [52] U.S. Cl. **D18/12**
- [58] Field of Search **D18/12; 235/58 CF, 433,
235/480; 242/67.1 R, 67.3 R, 67.4, 71.3;
400/614**

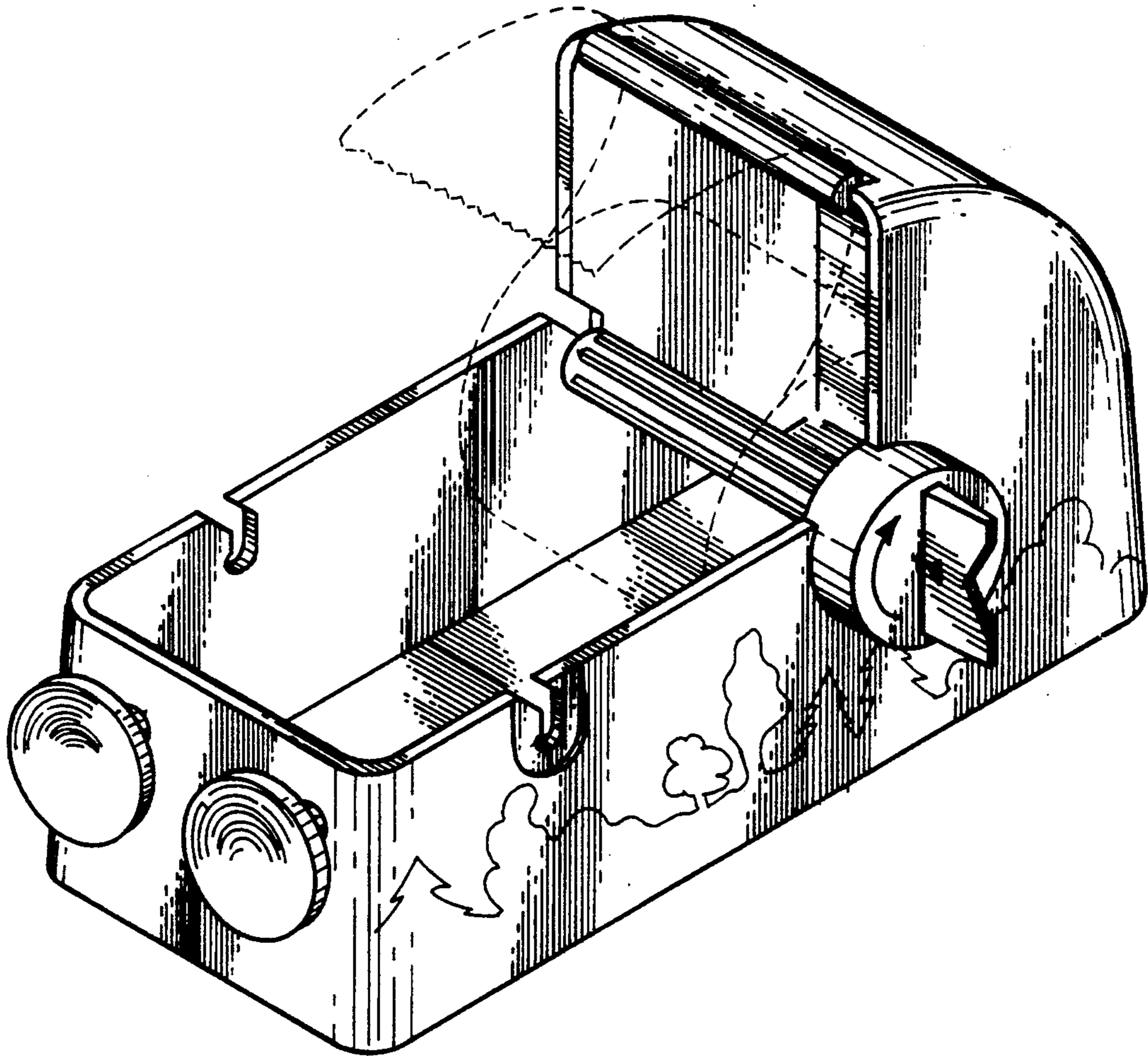
- 3,383,063 5/1968 Balaban 242/67.3 R X
- 3,447,657 6/1969 Majors 400/614
- 4,065,068 12/1977 Treadwell 400/614 X
- 4,168,038 9/1979 Nims 242/56 R
- 4,448,363 5/1984 Mukenschnabl 242/67.3 R
- 4,492,345 1/1985 Bakker 242/67.3 R
- 4,700,906 10/1987 Lapadakis 400/614 X

Primary Examiner—Nelson C. Holtje
Assistant Examiner—Caron D. Veynar
Attorney, Agent, or Firm—Terry M. Gernstein

- [56] **References Cited**
- U.S. PATENT DOCUMENTS**
- D. 91,523 2/1934 Jacobsen D18/12
- 1,829,727 11/1931 Barrett 242/67.3 R
- 1,957,120 5/1934 Weiss 242/67.4
- 2,074,669 3/1937 Reardon 242/67.4
- 3,033,481 5/1962 Wolk 400/614 X
- 3,113,742 12/1963 Bevan et al. 400/614 X
- 3,163,446 12/1964 Muncy 242/67.4 X

[57] **CLAIM**
 The ornamental design for an adding machine paper re-roller, as shown and described.

DESCRIPTION
 FIG. 1 is a right, front and top perspective view of an adding machine paper re-roller showing my new design, the bottom being flat, plain and ornamented and the broken line showing of a paper roll is environmental only and forms no part of the claimed design;
 FIG. 2 is a top plan view; and
 FIG. 3 is a left side elevational view.



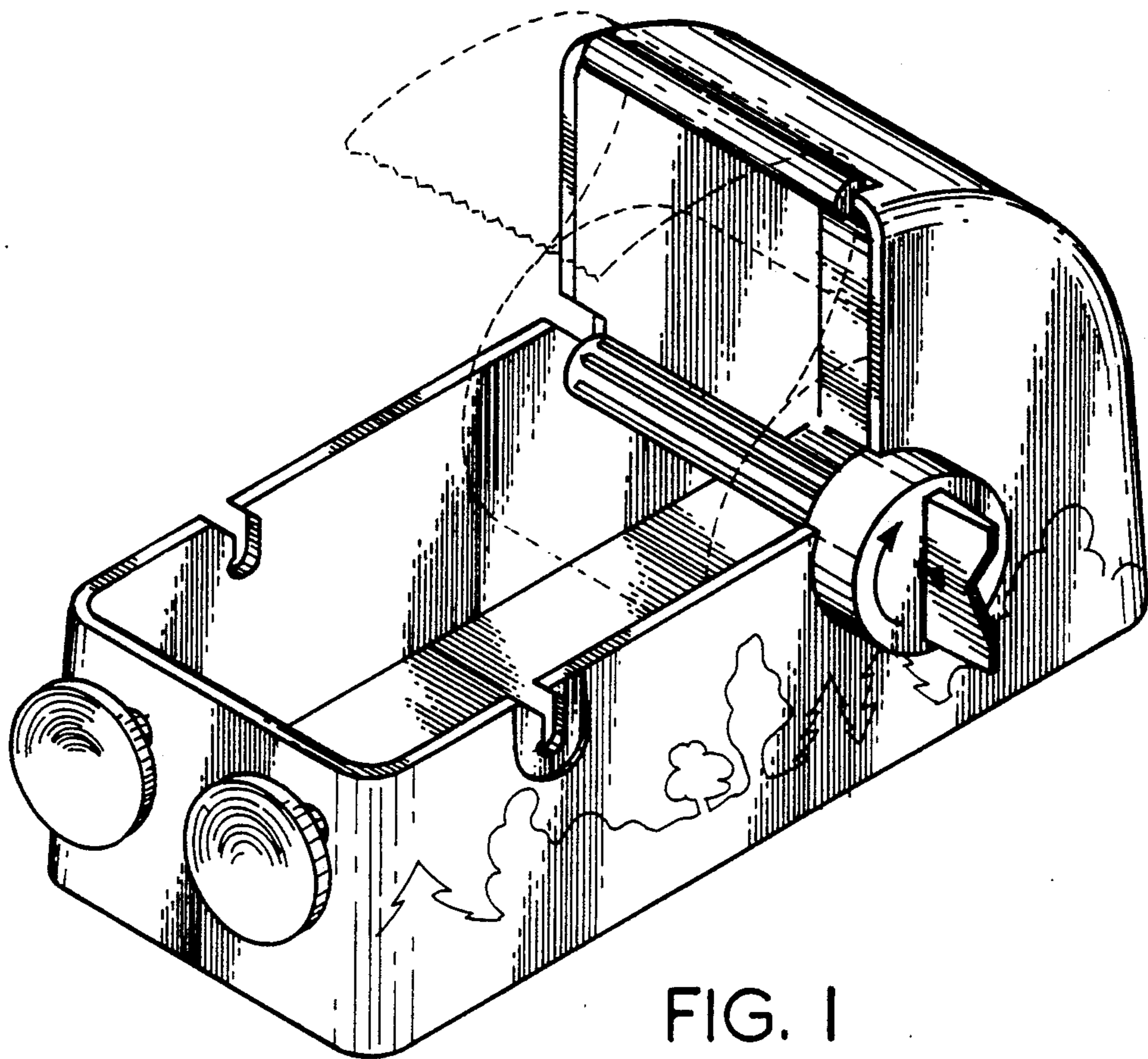
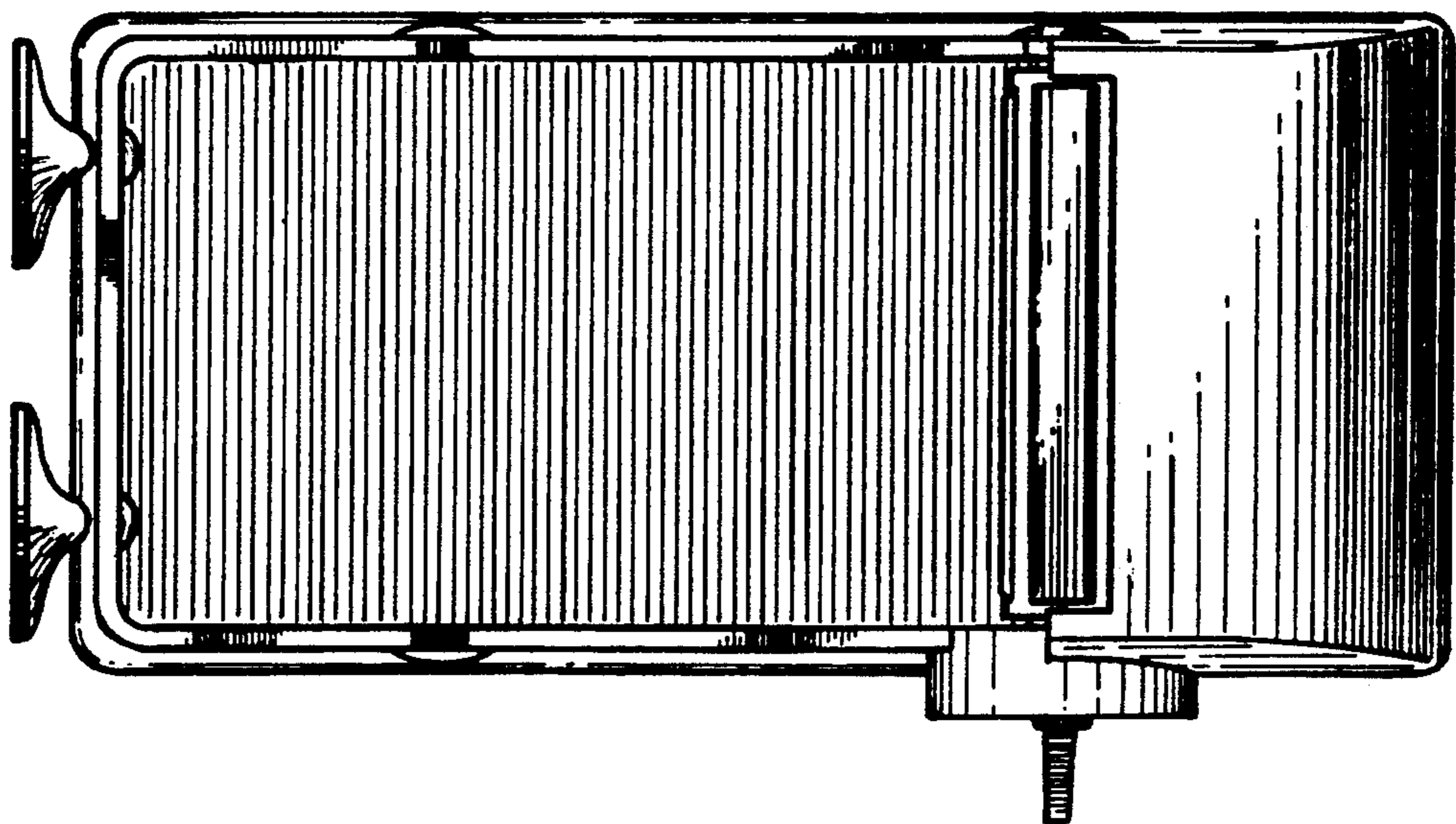


FIG. 1

FIG. 2



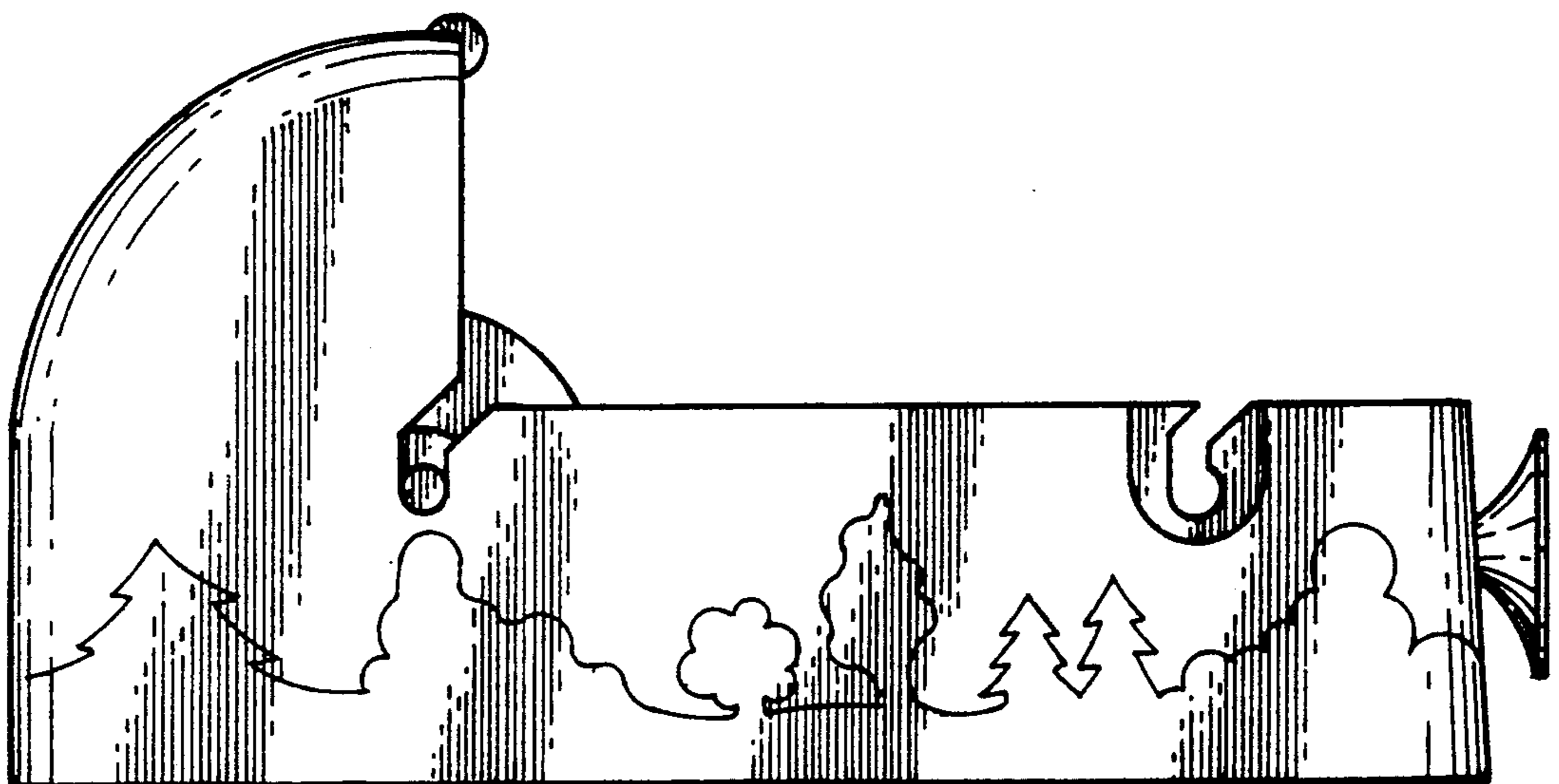


FIG. 3