



US00D324688S

# United States Patent [19]

St. Ama

[11] Patent Number: Des. 324,688

[45] Date of Patent: \*\* Mar. 17, 1992

[54] COMBINED MOBILE CONCRETE BATCH PLANT AND MIXING UNIT

[75] Inventor: Bobby D. St. Ama, Early, Tex.

[73] Assignee: Brownwood Ross Co. Inc., Brownwood, Tex.

[\*\*] Term: 14 Years

[21] Appl. No.: 391,848

[22] Filed: Aug. 10, 1989

[52] U.S. Cl. .... D15/19

[58] Field of Search ..... D15/10, 19; D25/3; 366/14, 18, 25, 27, 37, 44, 45; 414/21, 332

[56] **References Cited**

**U.S. PATENT DOCUMENTS**

- D. 239,527 4/1976 Bostrom et al. .... D15/19
- D. 255,355 6/1980 Mize ..... D15/19

- D. 271,875 12/1983 Silbernagel ..... D15/19
- D. 294,642 3/1988 Bostrom ..... D25/3
- 3,872,980 3/1975 Hagan ..... 414/21
- 4,339,204 7/1982 Placzek ..... 366/18

*Primary Examiner*—Theodore M. Shooman

*Assistant Examiner*—Sandra Morris

[57] **CLAIM**

The ornamental design for a combined mobile concrete batch plant and mixing unit, as shown and described.

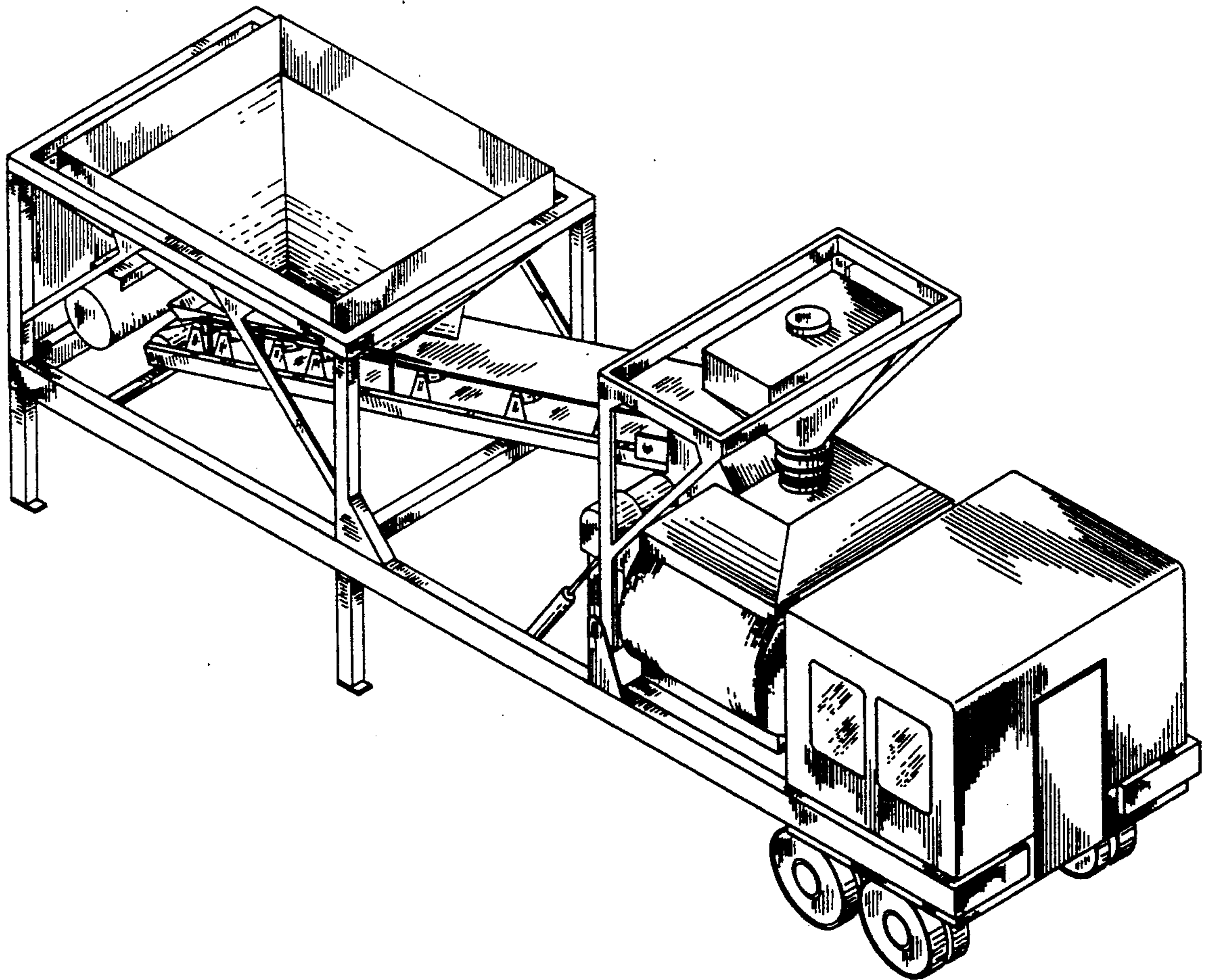
**DESCRIPTION**

FIG. 1 is a perspective view of a combined mobile concrete batch plant and mixing unit, showing my new design;

FIG. 2 is a right side elevational view thereof;

FIG. 3 is a right side elevational view thereof, shown in the travel position; and

FIG. 4 is a top plan view thereof.



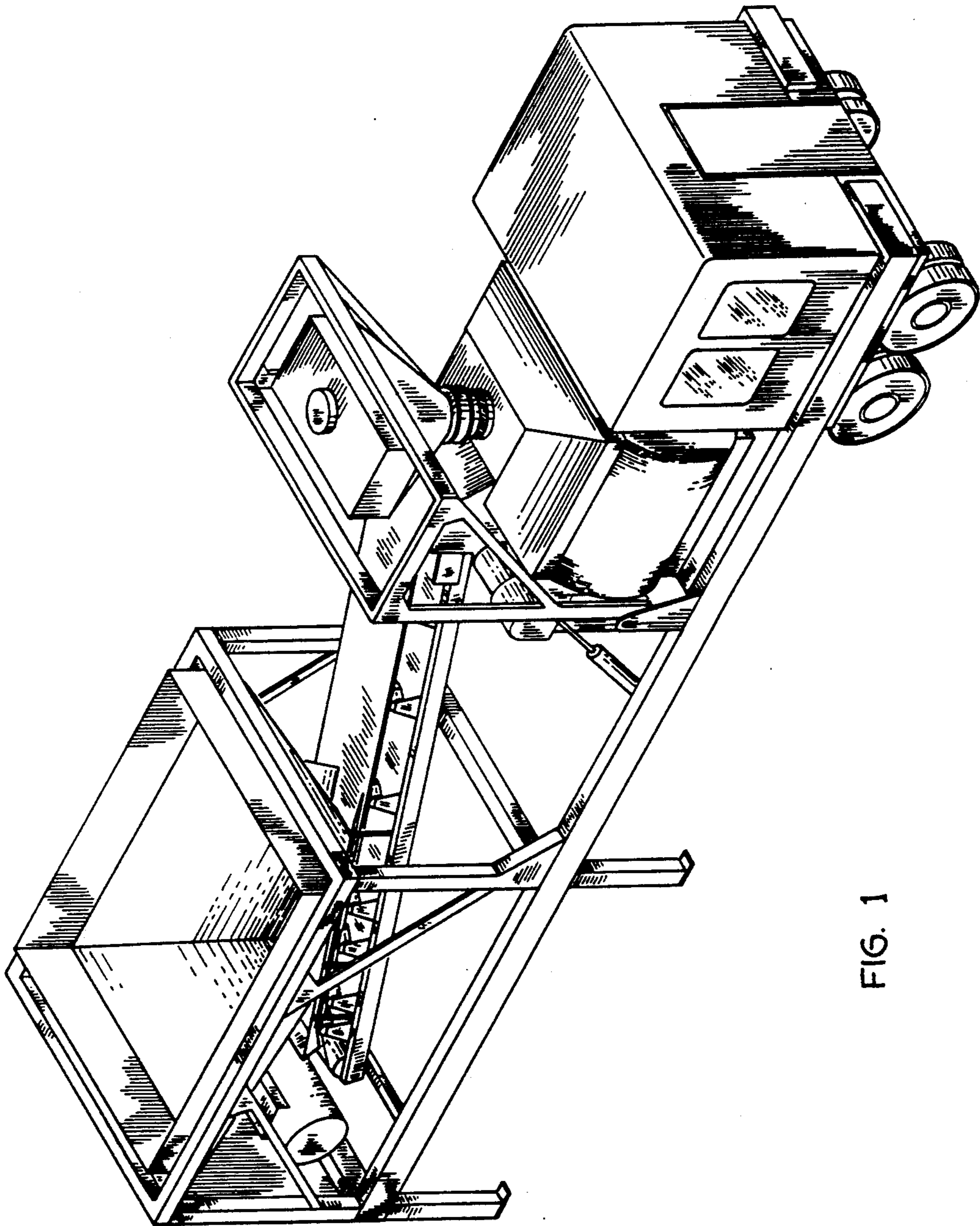


FIG. 1

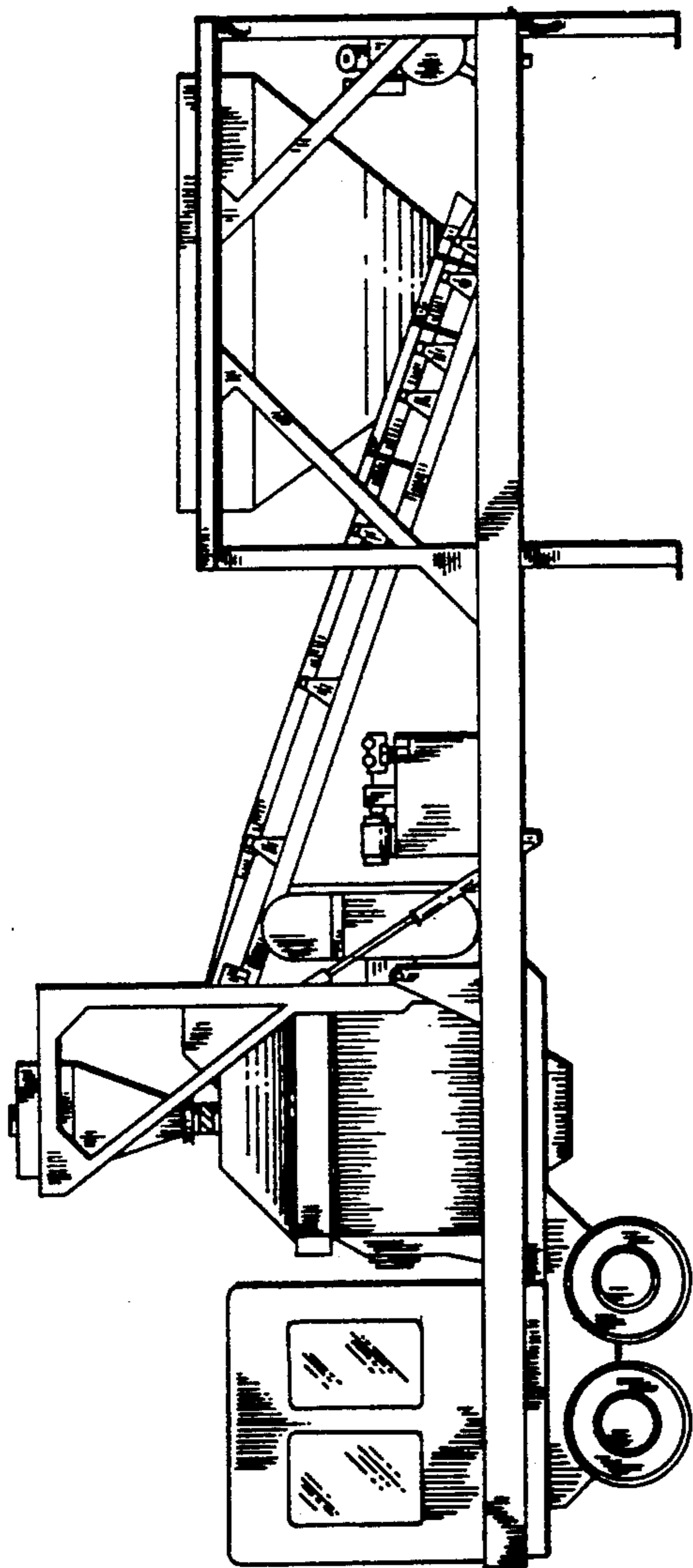


FIG. 2

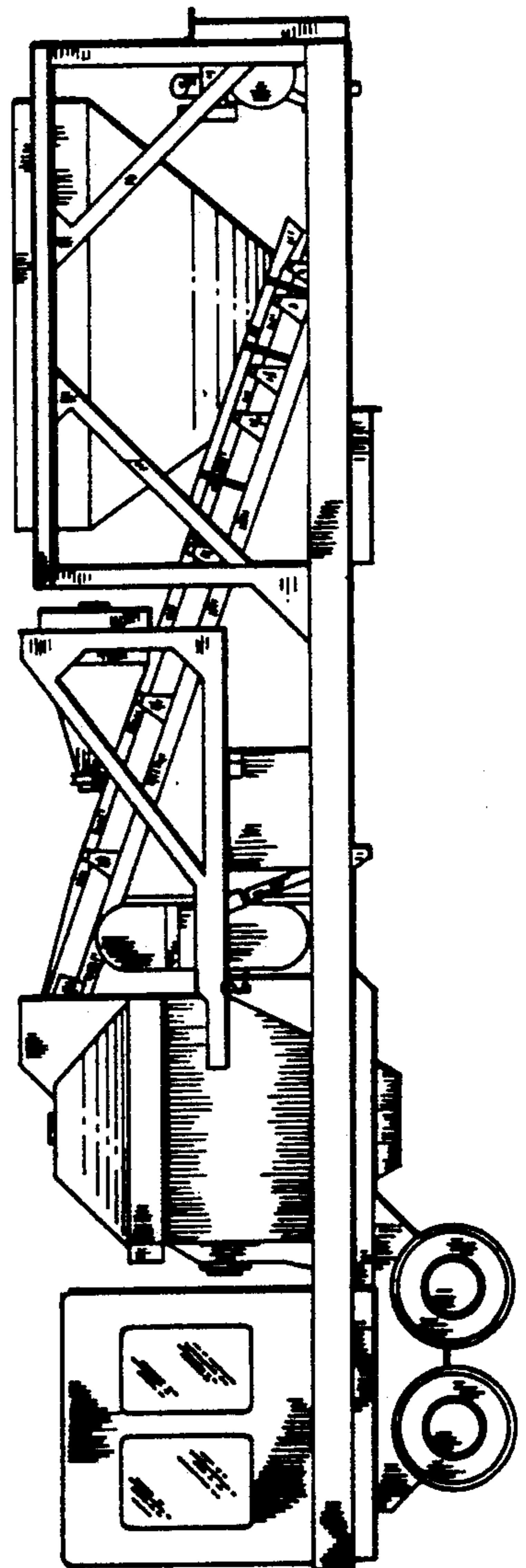


FIG. 3

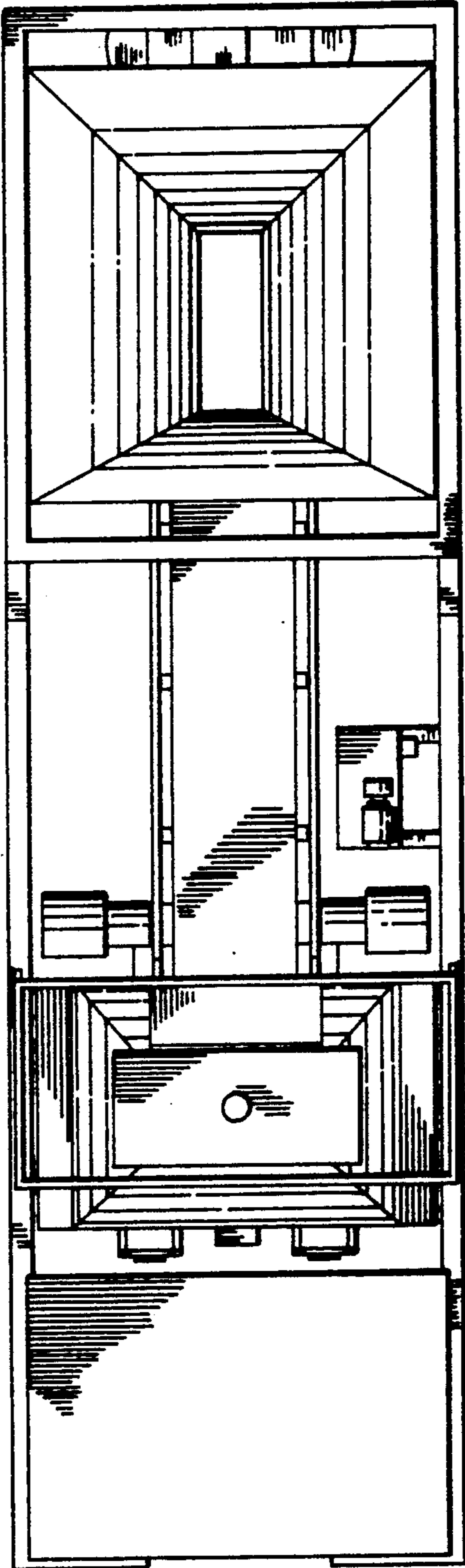


FIG. 4