



US00D324676S

United States Patent [19]

[11] Patent Number: **Des. 324,676**

Iino

[45] Date of Patent: **** Mar. 17, 1992**

[54] **ELECTRONIC COMPUTER**

[75] Inventor: **Masaaki Iino, Yokohama, Japan**

[73] Assignee: **Kabushiki Kaisha Toshiba, Kanagawa, Japan**

[**] Term: **14 Years**

[21] Appl. No.: **452,329**

[22] Filed: **Dec. 19, 1989**

[30] **Foreign Application Priority Data**

Jun. 20, 1989 [JP] Japan 1-22490

[52] U.S. Cl. **D14/106**

[58] Field of Search D14/100, 101, 106, 115; D18/1, 7, 11, 12; 340/700, 706, 711, 712; 341/22, 23; 235/145 A, 145 R; 358/249, 254; 364/706-710; 400/477, 485, 486, 488, 489, 681, 682, 685, 691; 312/208

- 499866 4/1979 Japan .
- 639216 11/1984 Japan .
- 650470 5/1985 Japan .
- 664175 10/1985 Japan .
- 684172 8/1986 Japan .
- 685063 8/1986 Japan .
- 686374 9/1986 Japan .
- 686381 9/1986 Japan .
- 686386 9/1986 Japan .
- 695931 12/1986 Japan .
- 696188 1/1987 Japan .
- 697328 1/1987 Japan .
- 763838 6/1988 Japan .
- 685121 10/1988 Japan .
- 747990 11/1988 Japan .
- 748513 11/1988 Japan .
- 746985(1) 4/1989 Japan .
- 763840 6/1989 Japan .
- 763855 6/1989 Japan .
- 92859 7/1989 Rep. of Korea .
- 92863 7/1989 Rep. of Korea .

[56] **References Cited**

U.S. PATENT DOCUMENTS

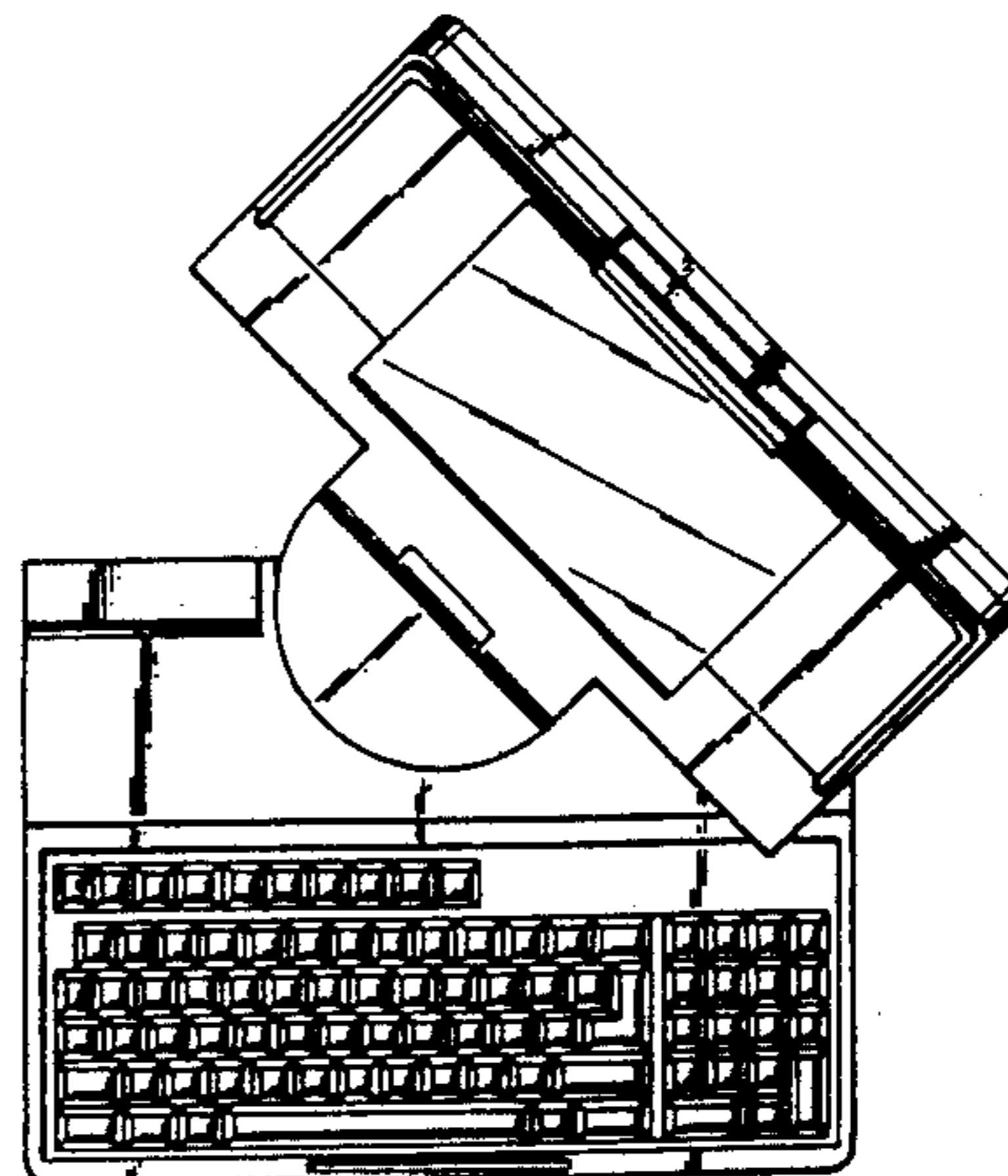
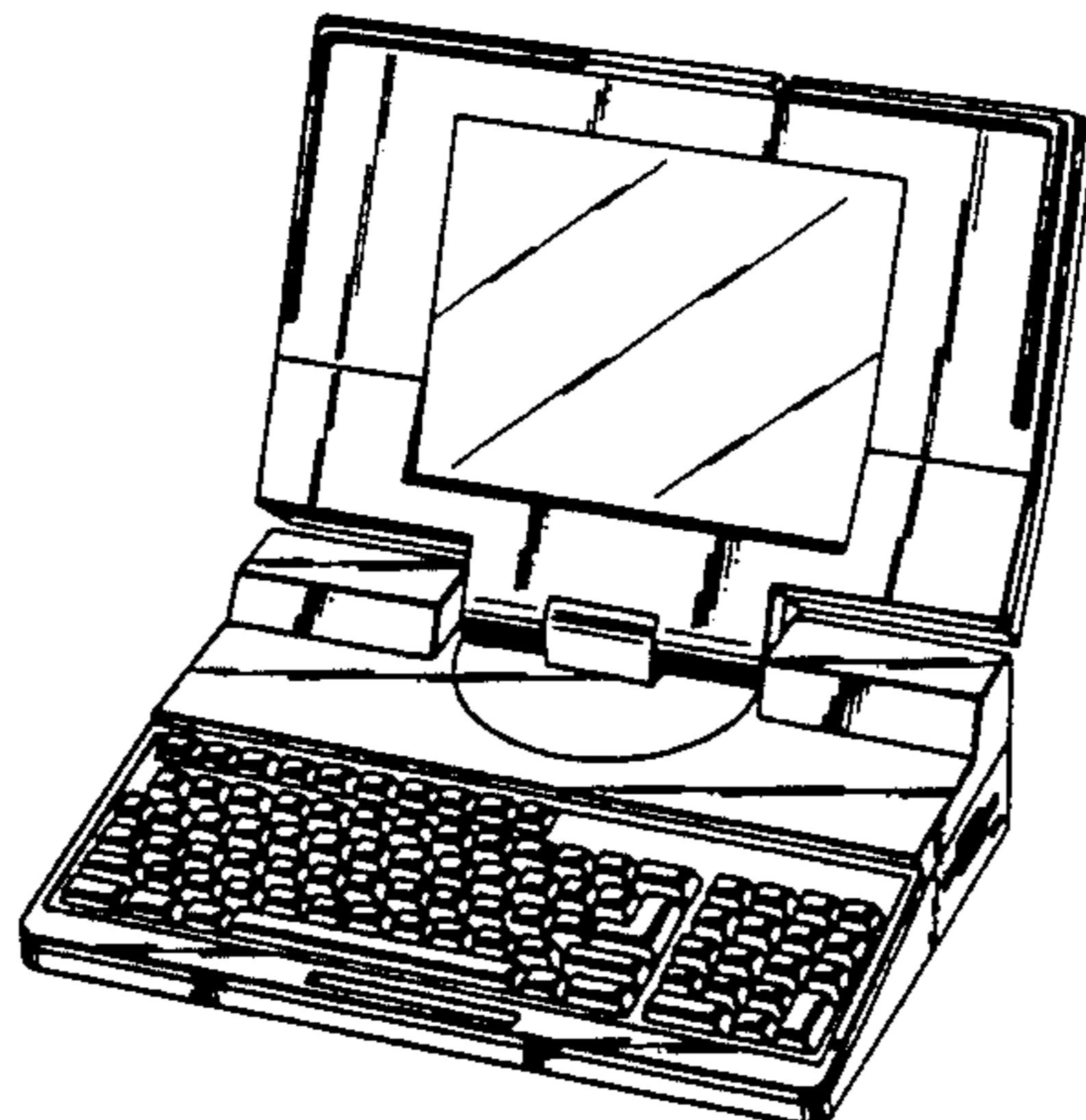
- D. 275,102 8/1984 MacConnel D14/106
- D. 280,511 9/1985 Moggridge et al. D14/106
- D. 280,622 9/1985 Moggridge et al. D14/100
- D. 283,511 4/1986 Dunn D14/106
- D. 284,474 7/1986 Sawada D14/100
- D. 287,969 1/1987 Kusanagi D14/106
- D. 288,566 3/1987 Chin et al. D14/106
- D. 289,177 4/1987 Sawada D18/7
- D. 290,256 6/1987 Sapper et al. D14/106
- D. 290,845 7/1987 Yubisui et al. D14/111
- D. 291,442 8/1987 Kurihara D14/106
- D. 293,677 1/1988 Hara et al. D14/106
- D. 294,029 2/1988 Nishiyama et al. D14/106
- D. 294,831 3/1988 Hara et al. D14/106
- D. 295,176 4/1988 Nishimoto et al. D14/106
- D. 295,519 3/1988 Kimble D14/106
- D. 299,031 12/1988 Sugano D14/106
- D. 306,285 2/1990 Yu D14/106
- D. 310,353 9/1990 Sugano et al. D14/106
- D. 311,528 10/1990 Sugano et al. D14/106
- D. 317,912 7/1991 Takai D14/113
- 4,951,241 8/1990 Hosoi et al. 364/708

FOREIGN PATENT DOCUMENTS

- 100708 6/1988 China .
- 101093 7/1988 China .

OTHER PUBLICATIONS

- Chaplet Halikan LA-22, 4/89.
- Sharp AX286L, 9/88.
- NEC PC-9801 LX5C, 8/88.
- Hewlett Packard Advertisement, 5/18/84 and 6/05/84.
- Data General One Advertisement 09/28/84.
- Apple Computer Apple IIC, 10/15/84.
- TI Software Journal, "Pro-Lite", 11/14/84.
- IS-IIc Advertisement, 11/14/84.
- Dulmont Magnum Article in Portable Computer, 11/00/84.
- IBM Advertisement, 12/06/84.
- Tandy 200, 00/00/85.
- General Corp. 4400, 01/14/85.
- NEC Starlet PC-8401A Brochure, 03/28/85.
- C & D News, 03/29/85.
- Fujitsu FM16 TL Brochure, 05/22/85.
- Data General One Brochure, 05/23/85.
- Toshiba T 1100 Plus, 07/22/85.
- Minato Electronics MODS-5000, 08/22/85.
- NEC N6919 Model 80/80H, 11/11/85.
- IBM Advertisement, 11/28/85.
- Apple Computer IIC, 12/00/85.
- Hewlett-Packard Portable Plus, 12/00/85.
- Data General One Model 2J Brochure, 05/20/87.
- Hitachi B16LX Brochure, 08/31/87.



Ricoh Brochure, 09/17/87.
Sony Produce 100 Brochure, 09/18/87.
NEC Minitel 5 Advertisement, 10/29/87.
Rein Laptop 300 SLC Advertisement, 10/29/87.
Toshiba E & E News, 02/26/88.
Seiko-Epson PC-286L, 03/02/88.
Datavue Snap 1+1, 05/10/88.
Portable Computer Review, p. 32, 05/10/88.
Sanyo ES 100, 05/13/88.
NEC PC-9801 LV 21 Brochure, 05/13/88.
Sharp WV-500, 05/19/88.
Panafacom C-250 LT Brochure, 05/19/88.
Sony Produce 100EX Advertisement, 05/19/88.
Panasonic Panacom 6000 LT Brochure, 06/07/88.
Kyosera 386AX, 09/00/88.
NEC PC-9801, 10/26/88.
Sanyo MBC-17LTJ, 10/00/88.
Toshiba T 1600, 11/00/88.
Sanyo MBC 17LTJH, 11/20/88.
Oki, "IF 386 AX", 12/09/88.
Kyosera 386-SX Laptop AX, 01/10/89.
Seiko-Epson PC-286LS, 02/16/89.
Grid Brochure.
Dauphin Laptop Computer brochure.
MicroDIRECT brochure.
SuperSport brochure.

NEC Starlet PC-8401A advertisement.
Victor Technologies, V 286 P catalog.

Primary Examiner—Wallace R. Burke
Assistant Examiner—Freda S. Nunn
Attorney, Agent, or Firm—Banner, Birch, McKie & Beckett

[57]

CLAIM

The ornamental design for an electronic computer, as shown and described.

DESCRIPTION

FIG. 1 is a top, front and right side perspective view of an electronic computer showing my new design;
FIG. 2 is a front elevational view thereof;
FIG. 3 is a rear elevational view thereof;
FIG. 4 is a top plan view thereof;
FIG. 5 is a bottom plan view thereof;
FIG. 6 is a right side elevational view thereof;
FIG. 7 is a left side elevational view thereof;
FIG. 8 is a right side elevational view thereof, the display panel in the closed position;
FIG. 9 is a top plan view thereof, the display panel in the closed position; and,
FIG. 10 is a top plan view thereof, the display panel in the opened and rotated position.

FIG. 1

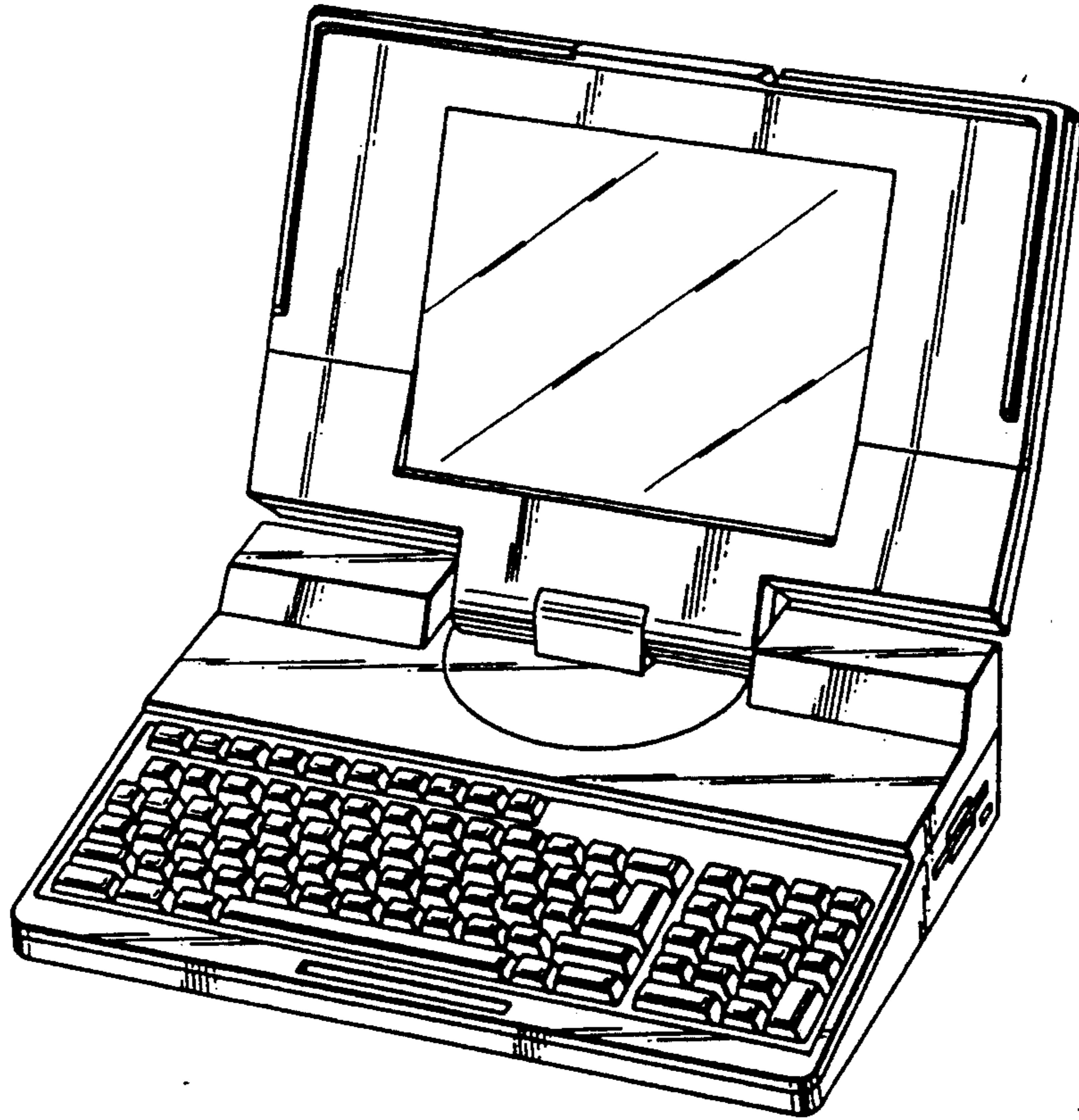


FIG. 2

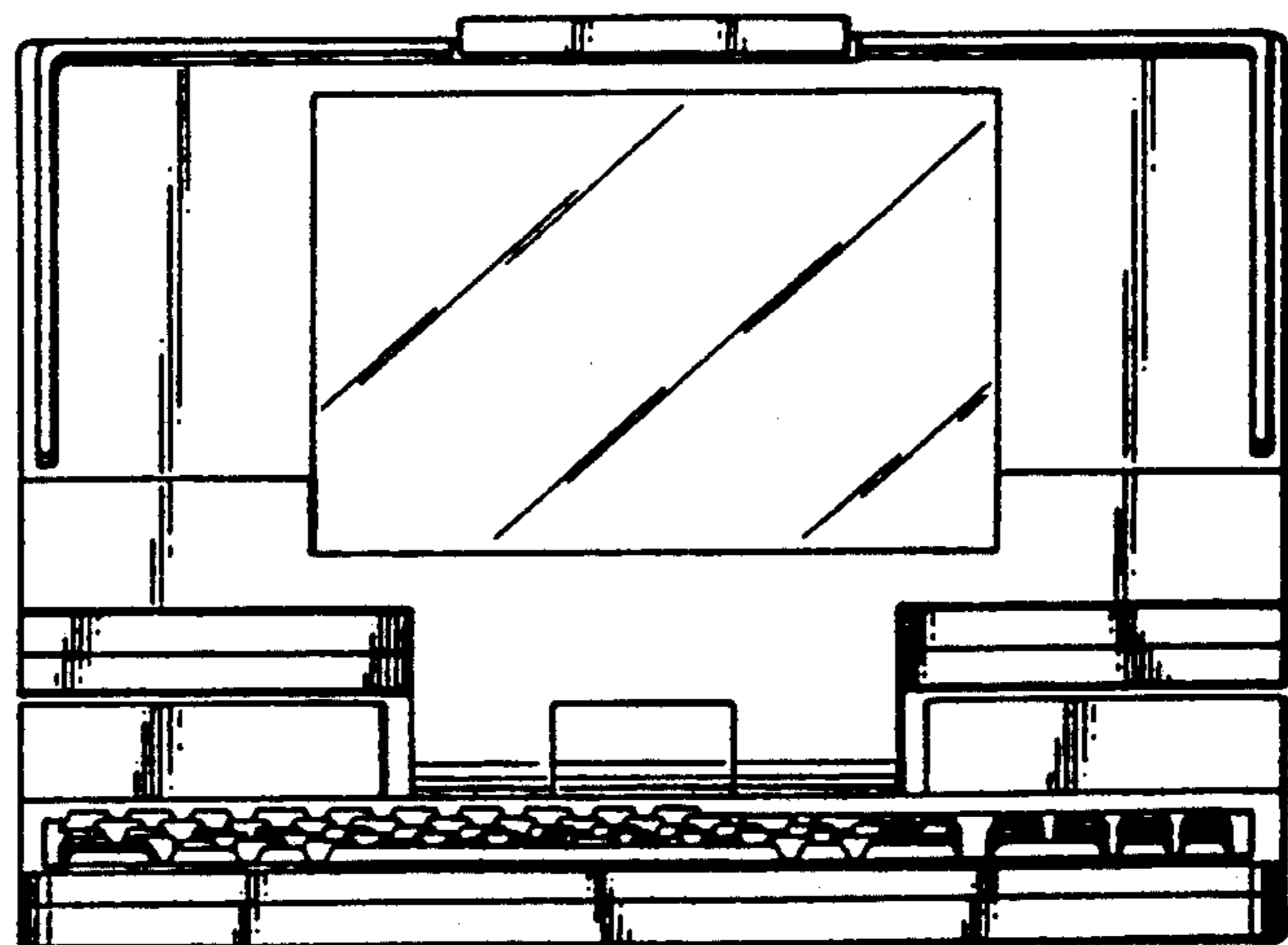


FIG.3

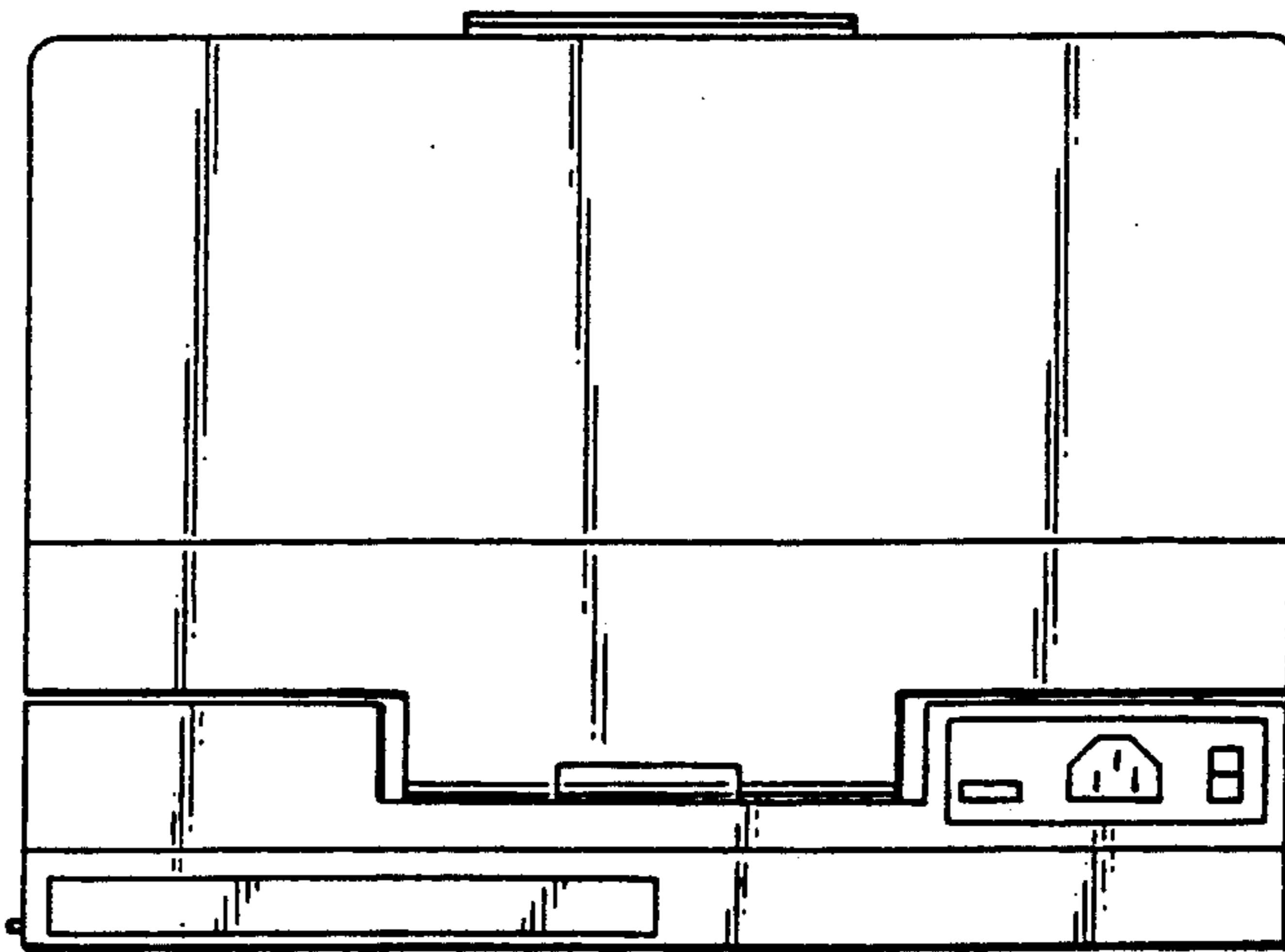


FIG.4

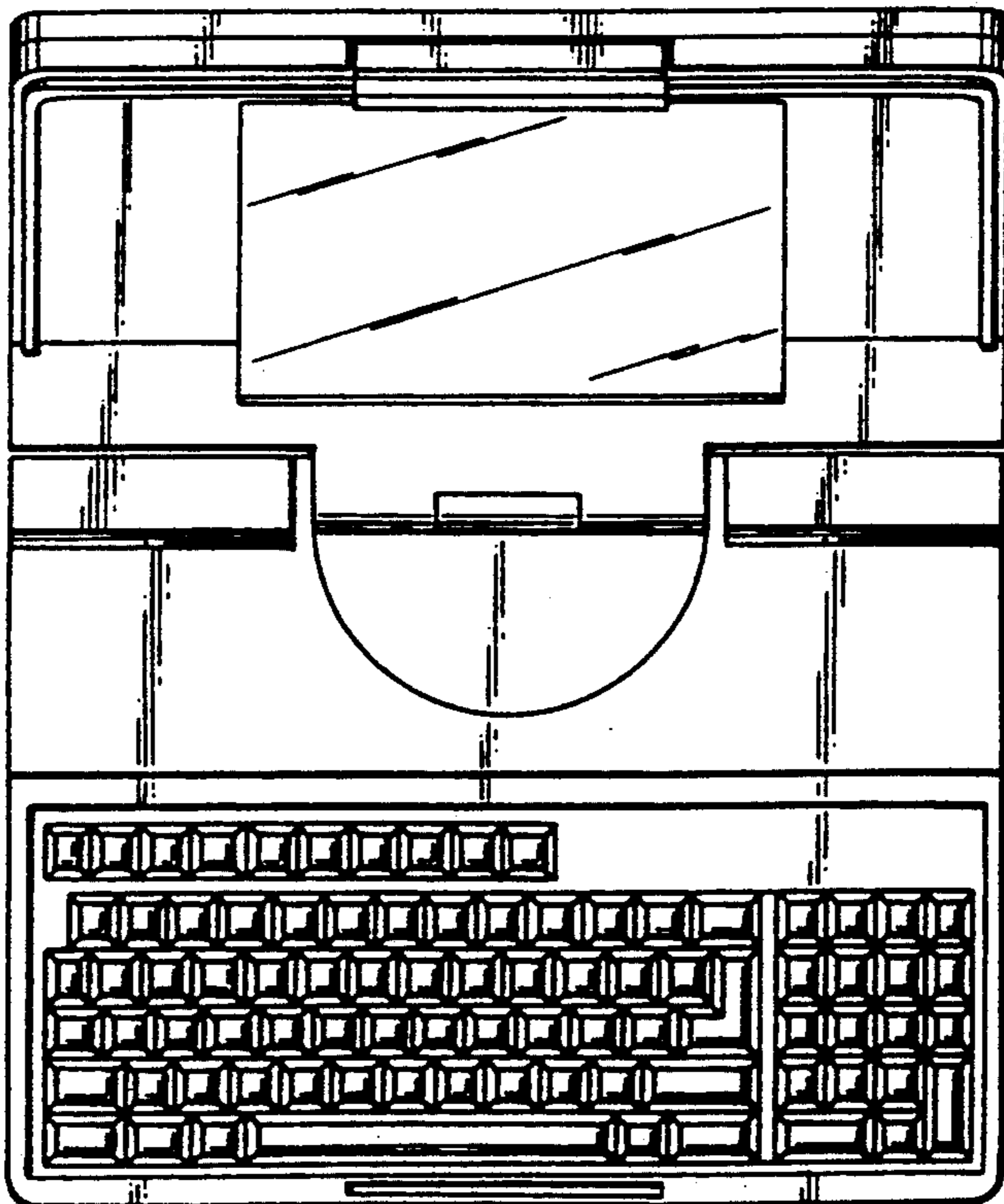


FIG. 5

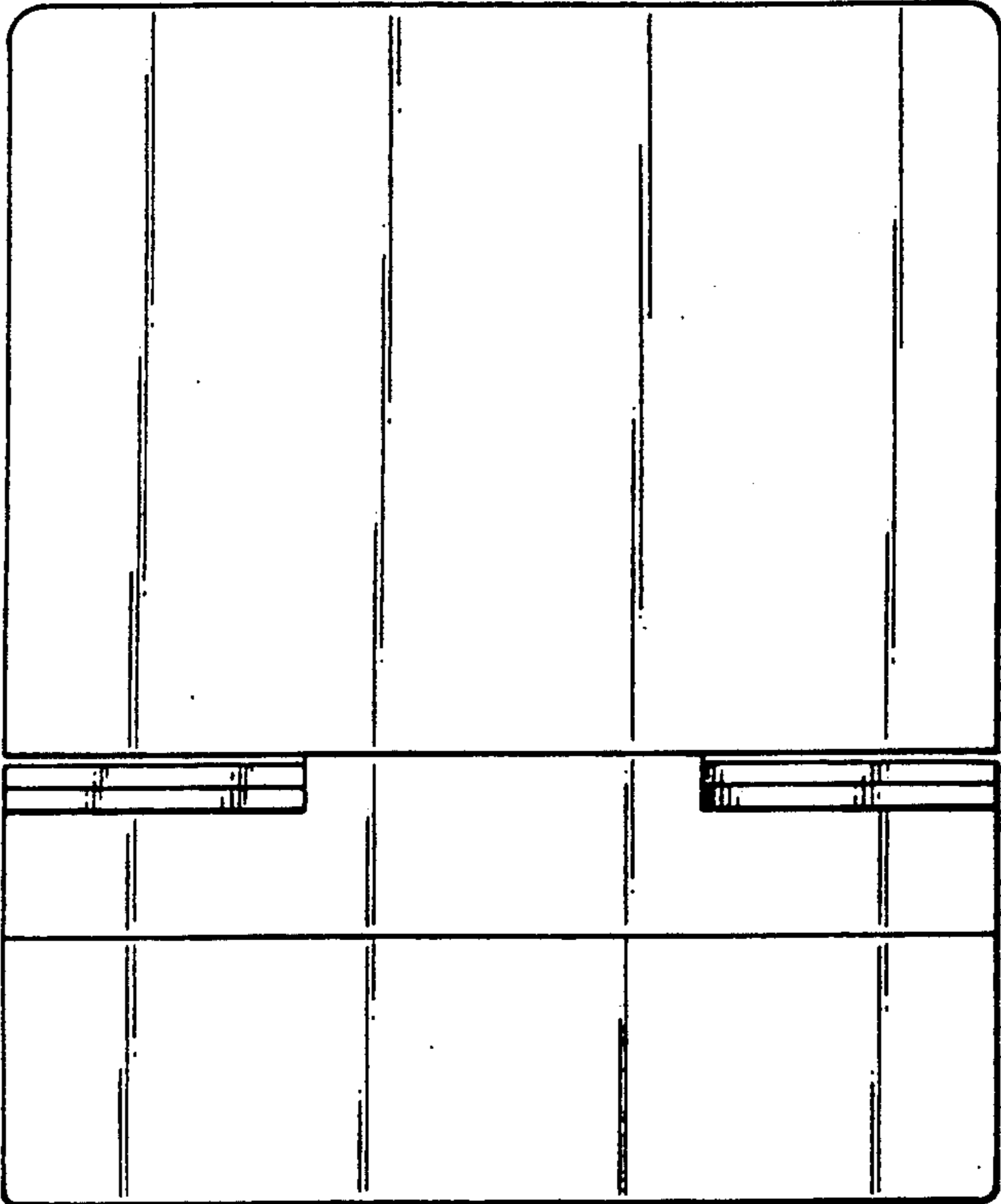


FIG. 6

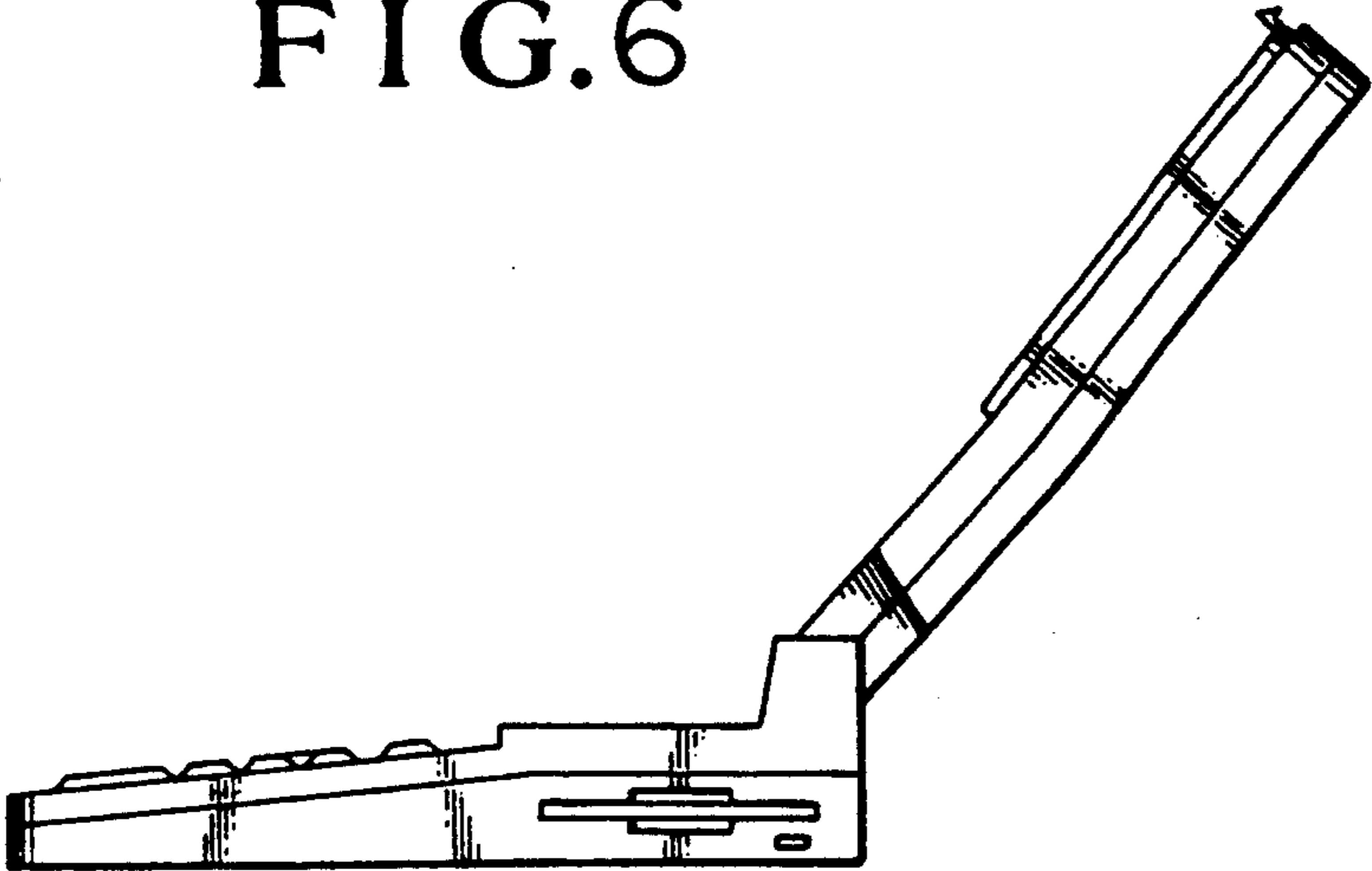


FIG. 7

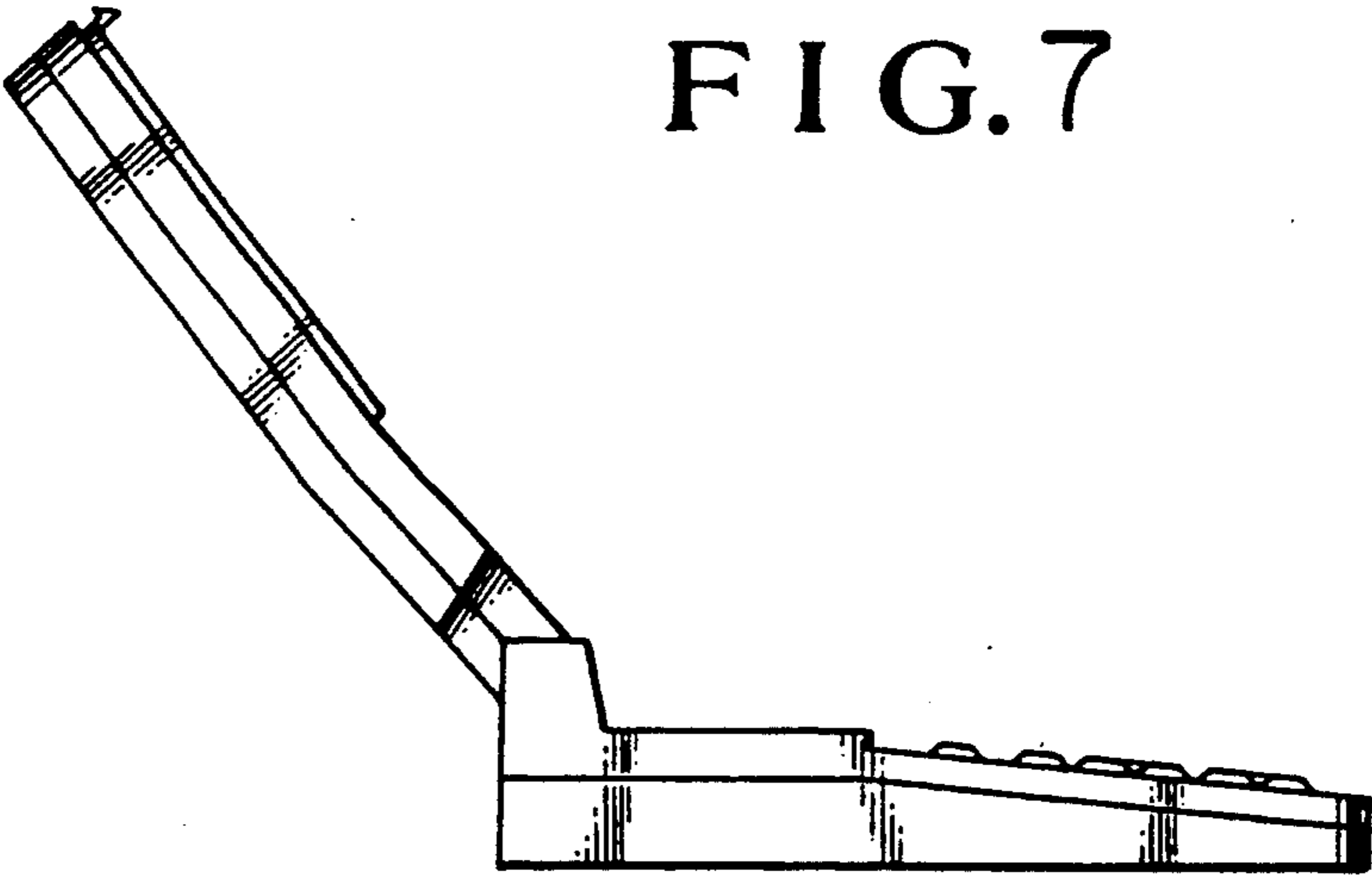


FIG. 8

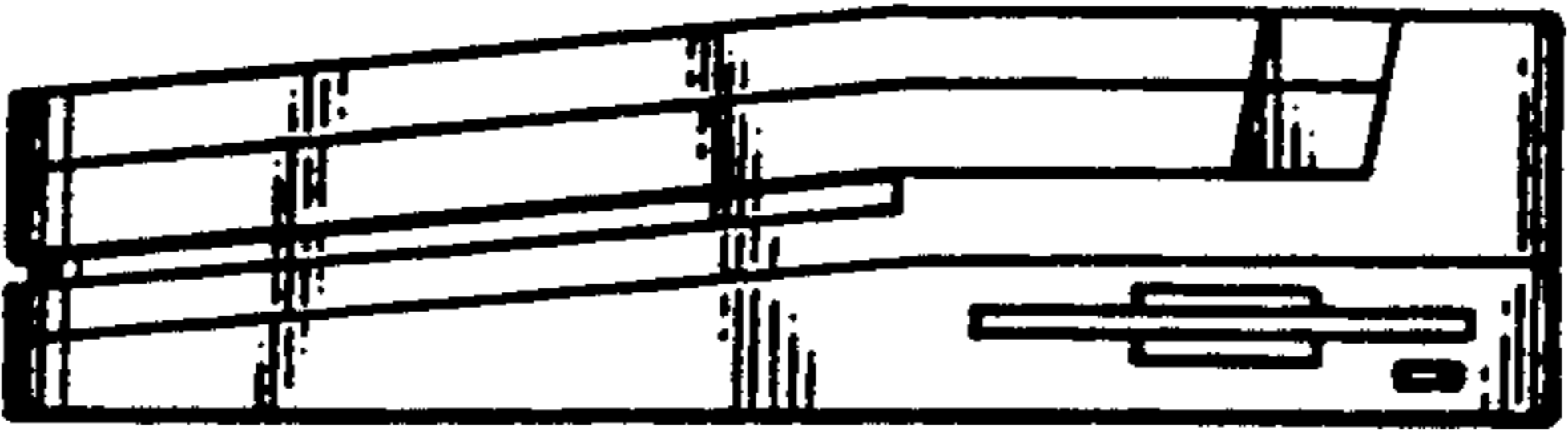


FIG. 9

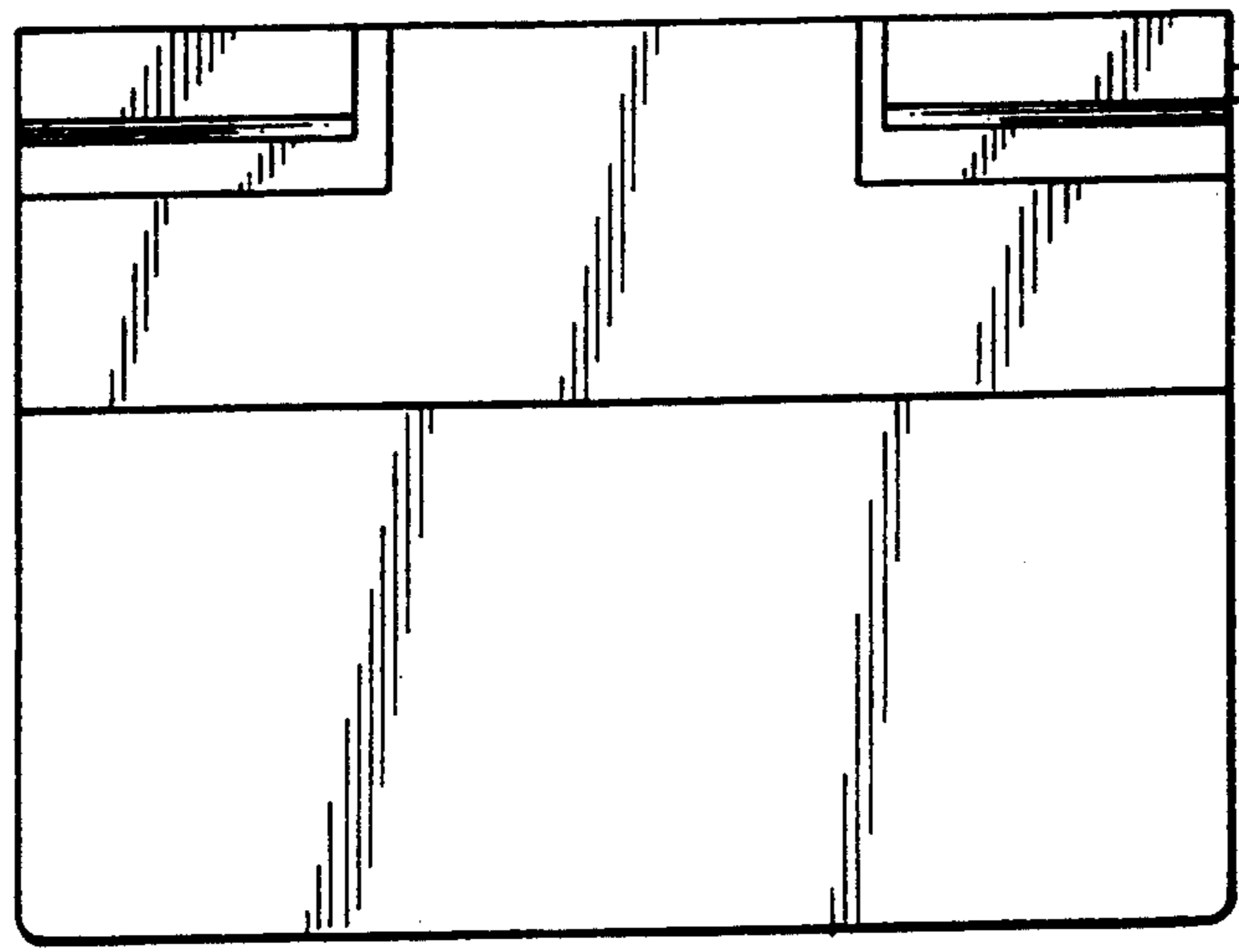


FIG. 10

