



US00D324669S

United States Patent [19]
Co

[11] **Patent Number: Des. 324,669**
[45] **Date of Patent: ** Mar. 17, 1992**

[54] **RETRACTING EXTENSION CORD**

4,520,239 5/1985 Schwartz 242/96 X
4,726,536 2/1988 Lerner et al. 439/538 X

[76] **Inventor:** Ky V. Co, 344 Toronto Street,
Winnipeg, Manitoba, Canada,
R3G-1S5

Primary Examiner—Susan J. Lucas
Assistant Examiner—J. Sincavage
Attorney, Agent, or Firm—Leon Gilden

[**] **Term:** 14 Years

[57] **CLAIM**

[21] **Appl. No.:** 357,109

The ornamental design for a retracting extension cord,
as shown and described.

[22] **Filed:** May 26, 1989

[52] **U.S. Cl. D13/140**

[58] **Field of Search D13/140; D8/358;**
191/12.2, 12.4; 242/96; 439/501, 528

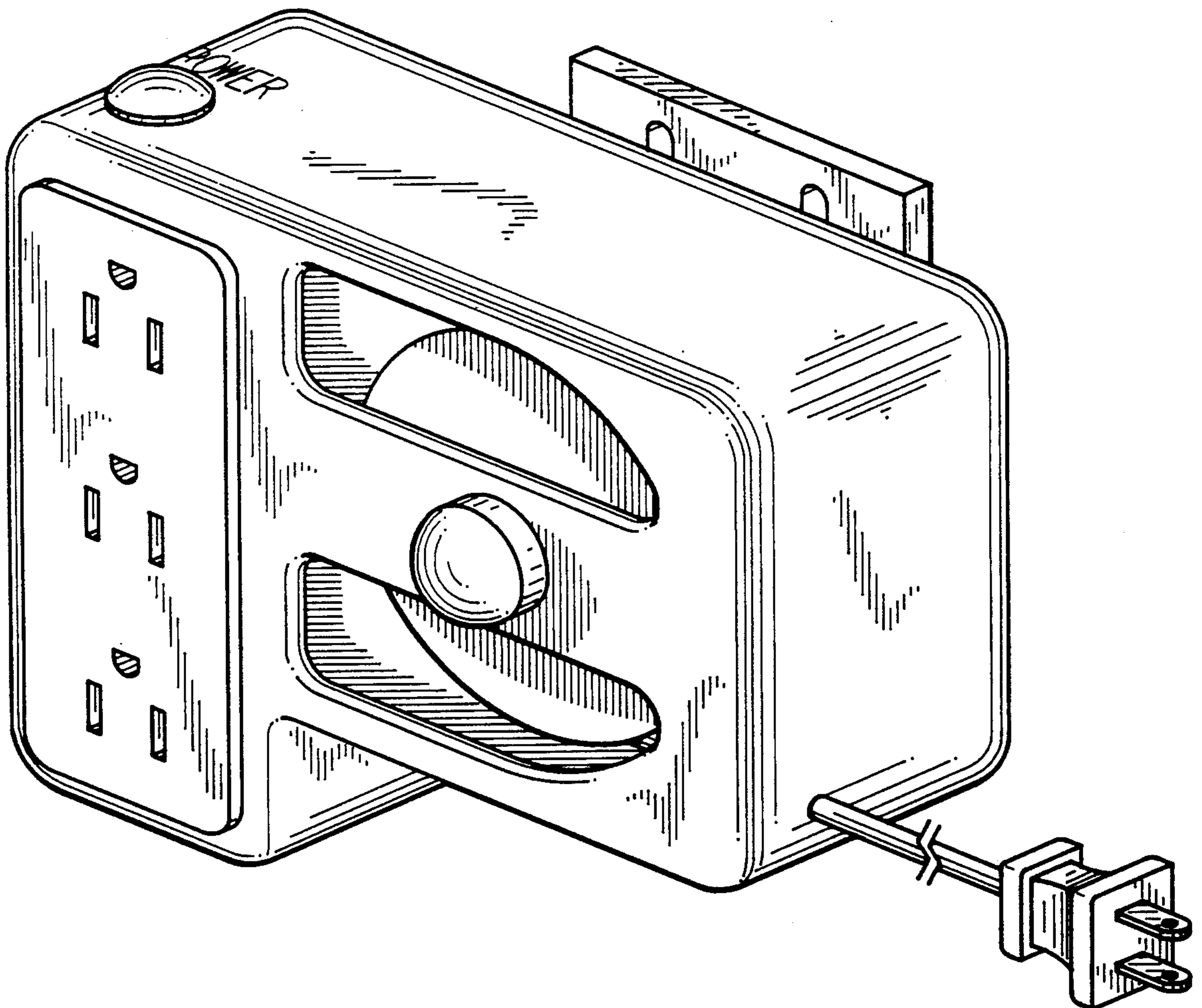
DESCRIPTION

[56] **References Cited**

U.S. PATENT DOCUMENTS

D. 195,463	6/1963	Tamarin	D13/140
D. 275,552	9/1984	Izumi	D13/150
3,815,078	6/1974	Fedrick	439/501
4,378,473	3/1983	Noorigian	439/501 X

FIG. 1 is a front elevational view of a retracting extension cord showing my new design;
FIG. 2 is a rear elevational view thereof;
FIG. 3 is a left side elevational view thereof;
FIG. 4 is a right side elevational view thereof;
FIG. 5 is a top plan view thereof;
FIG. 6 is a bottom plan view thereof; and,
FIG. 7 is a front and upper right perspective view thereof shown on an enlarged scale.



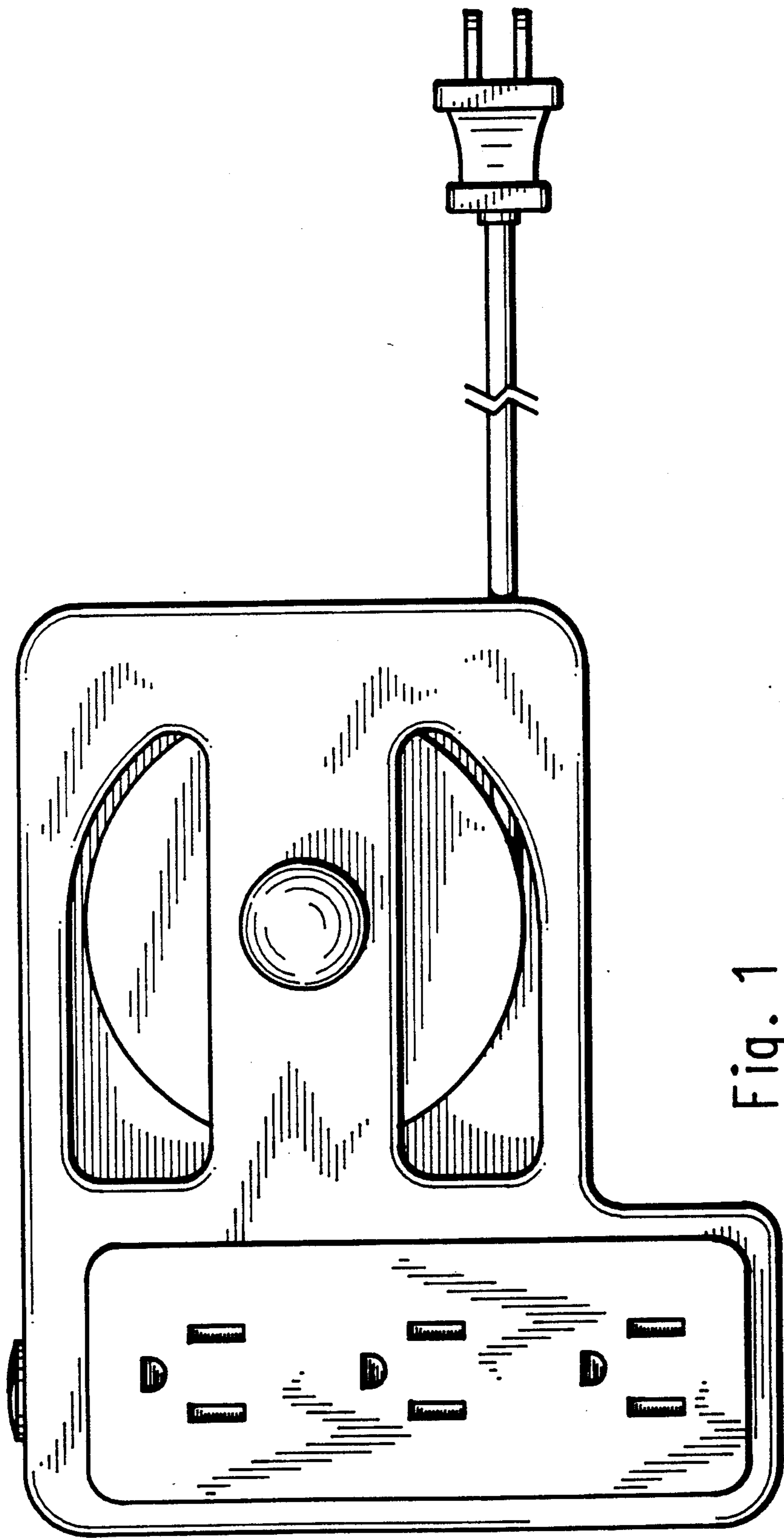


Fig. 1

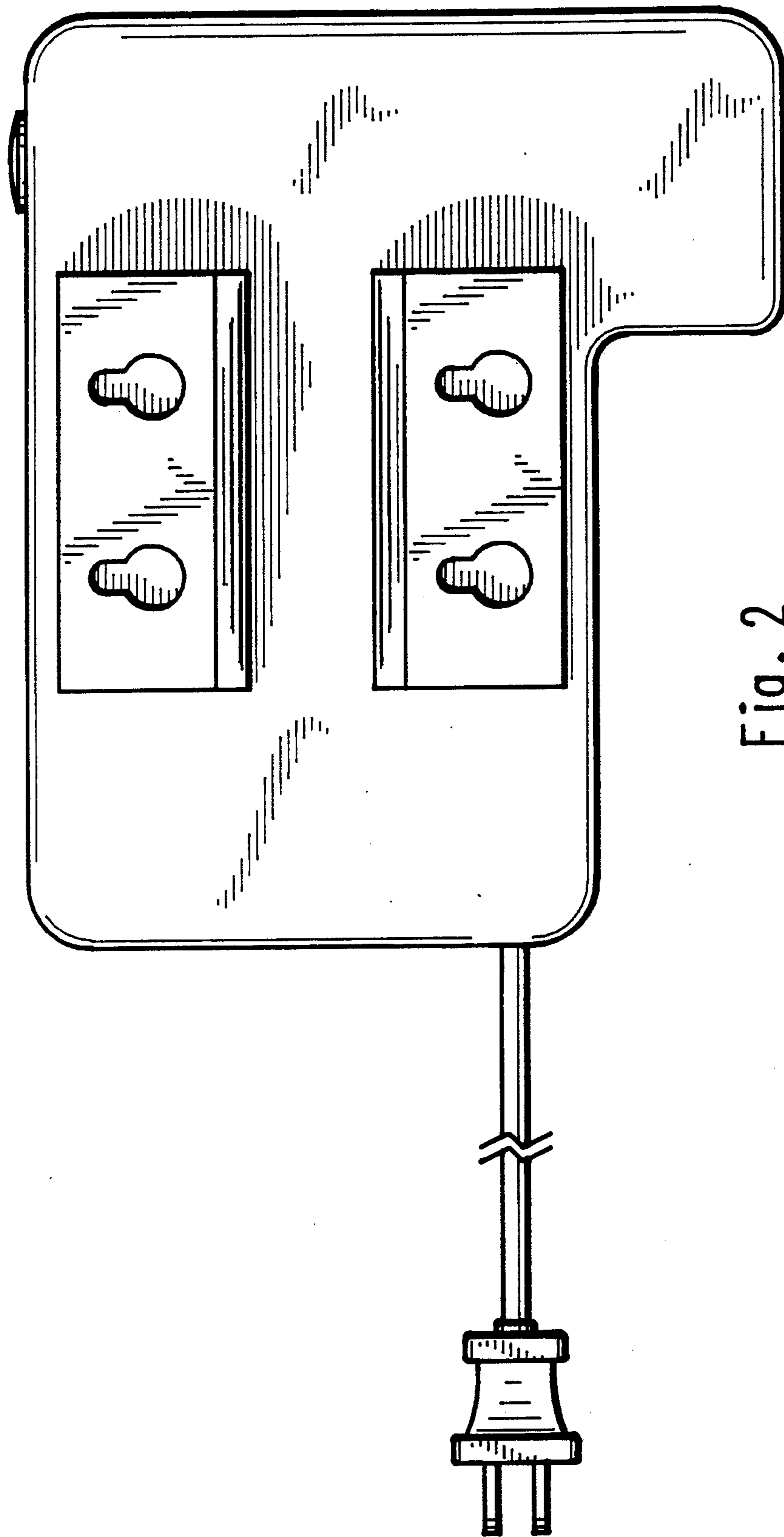


Fig. 2

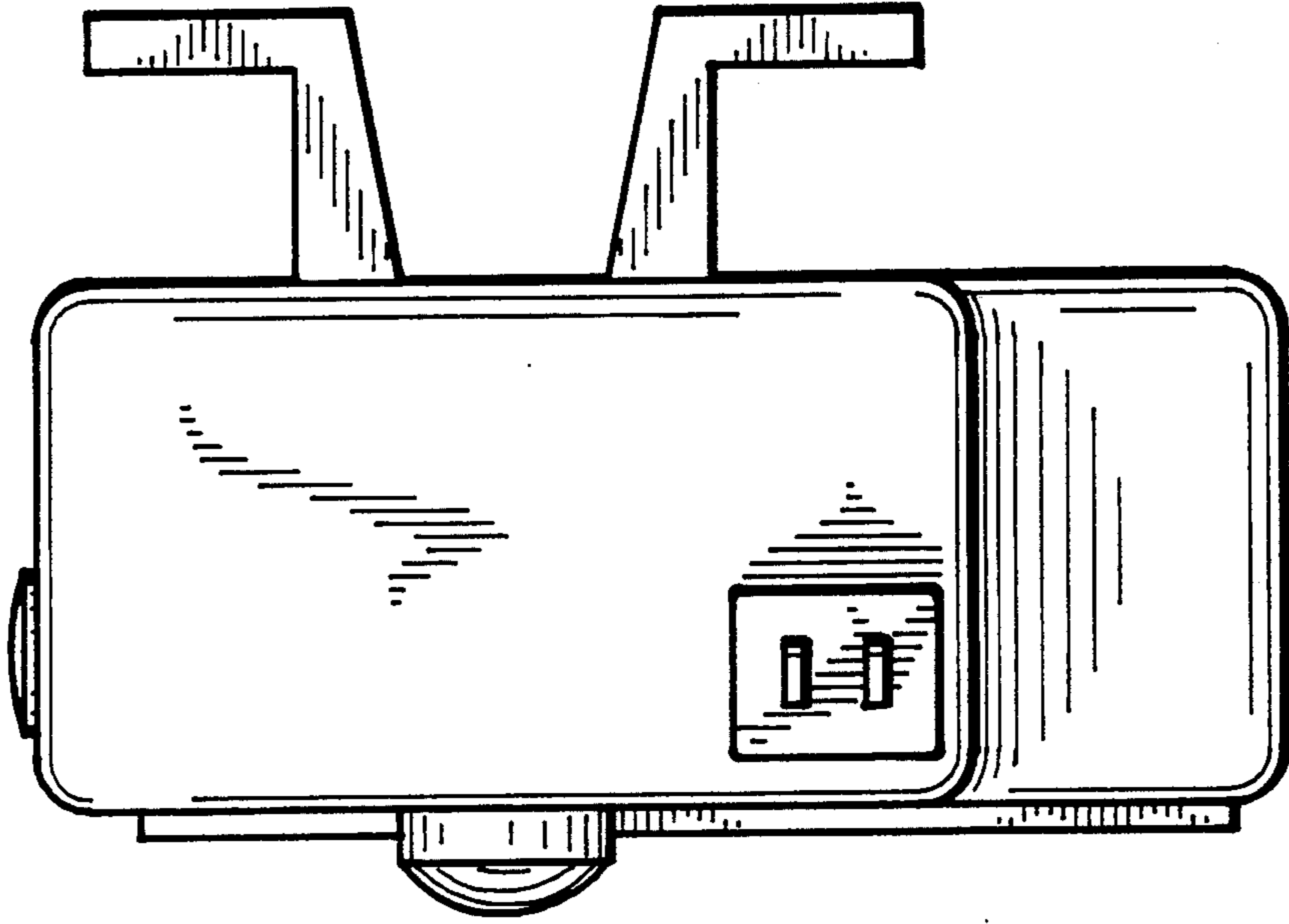


Fig. 4

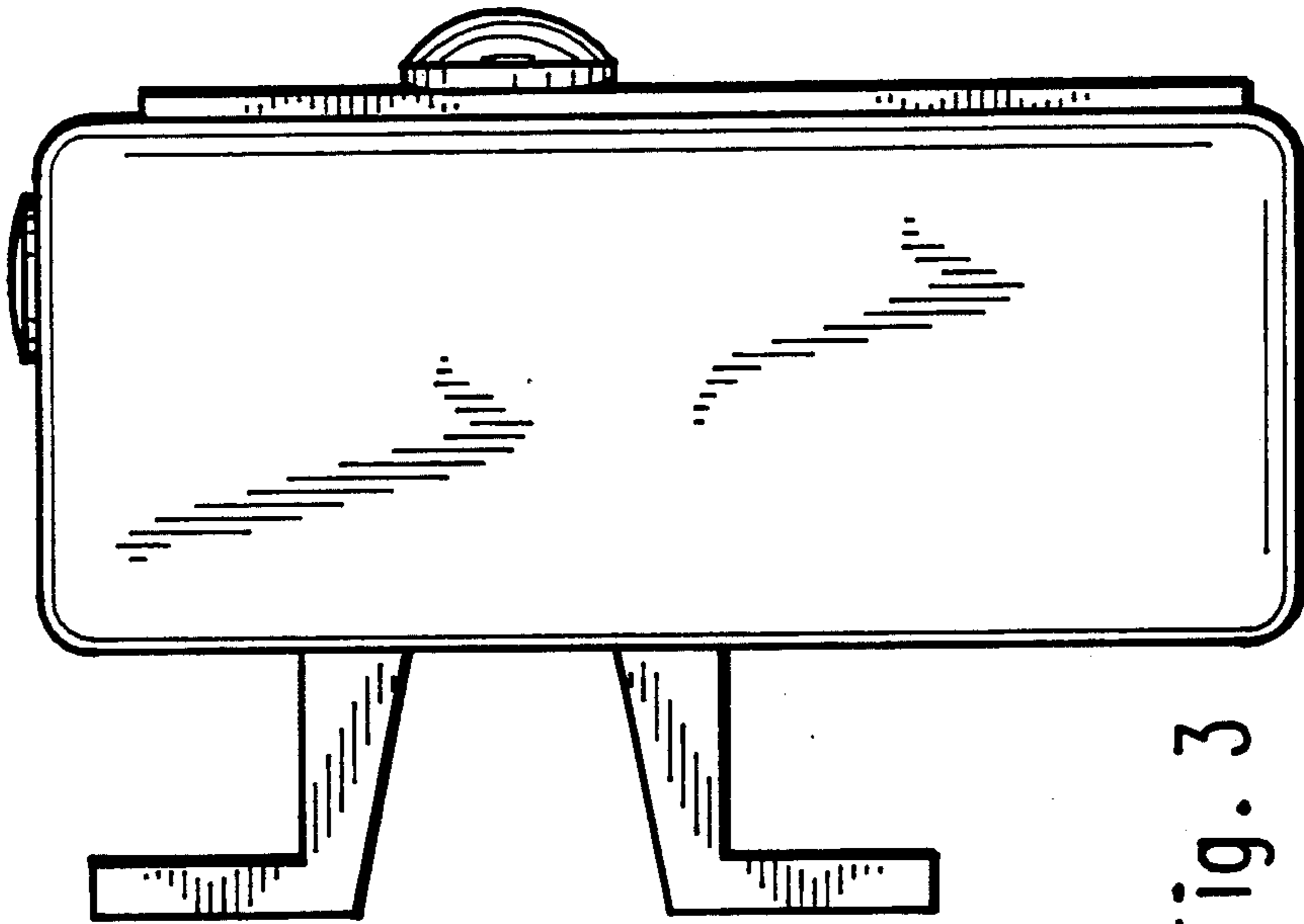


Fig. 3

Fig. 5

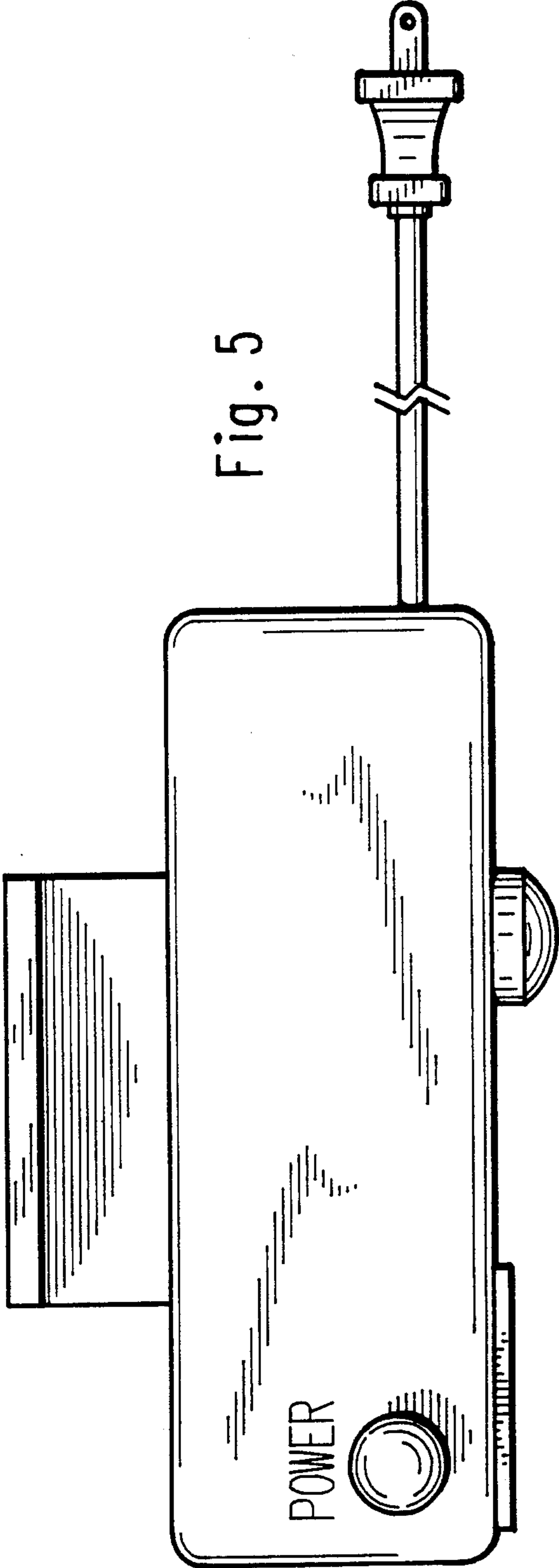
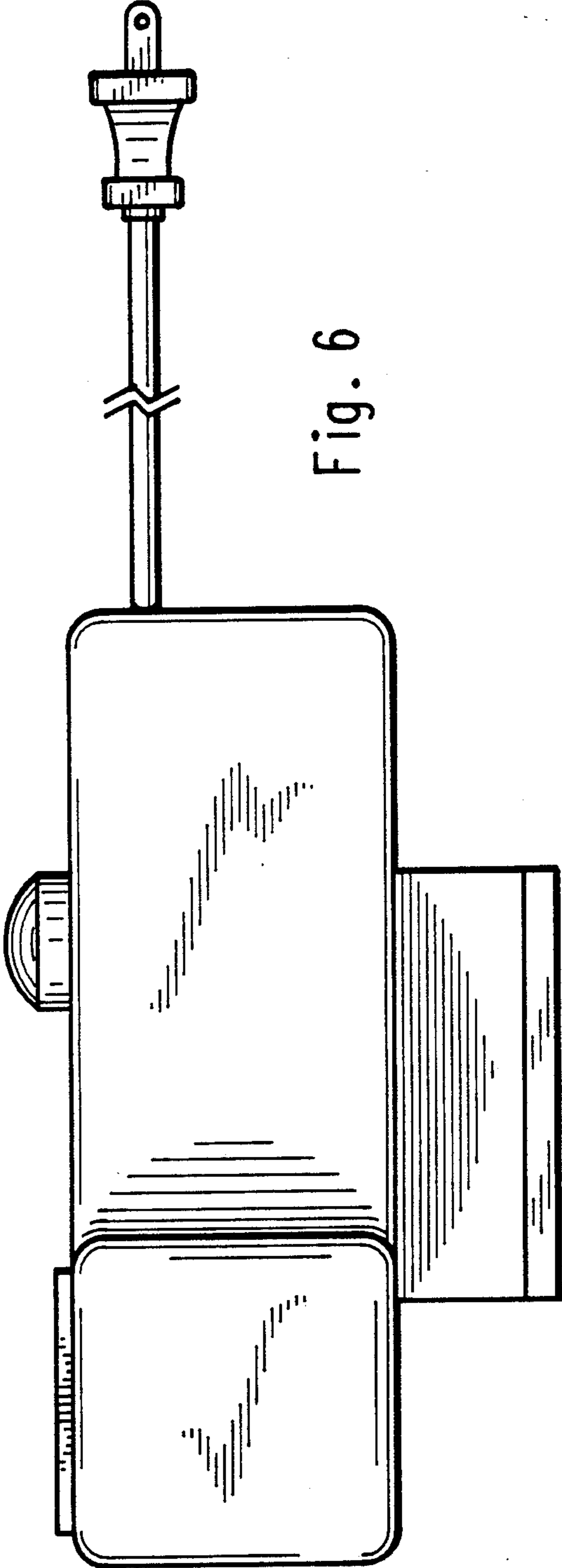


Fig. 6



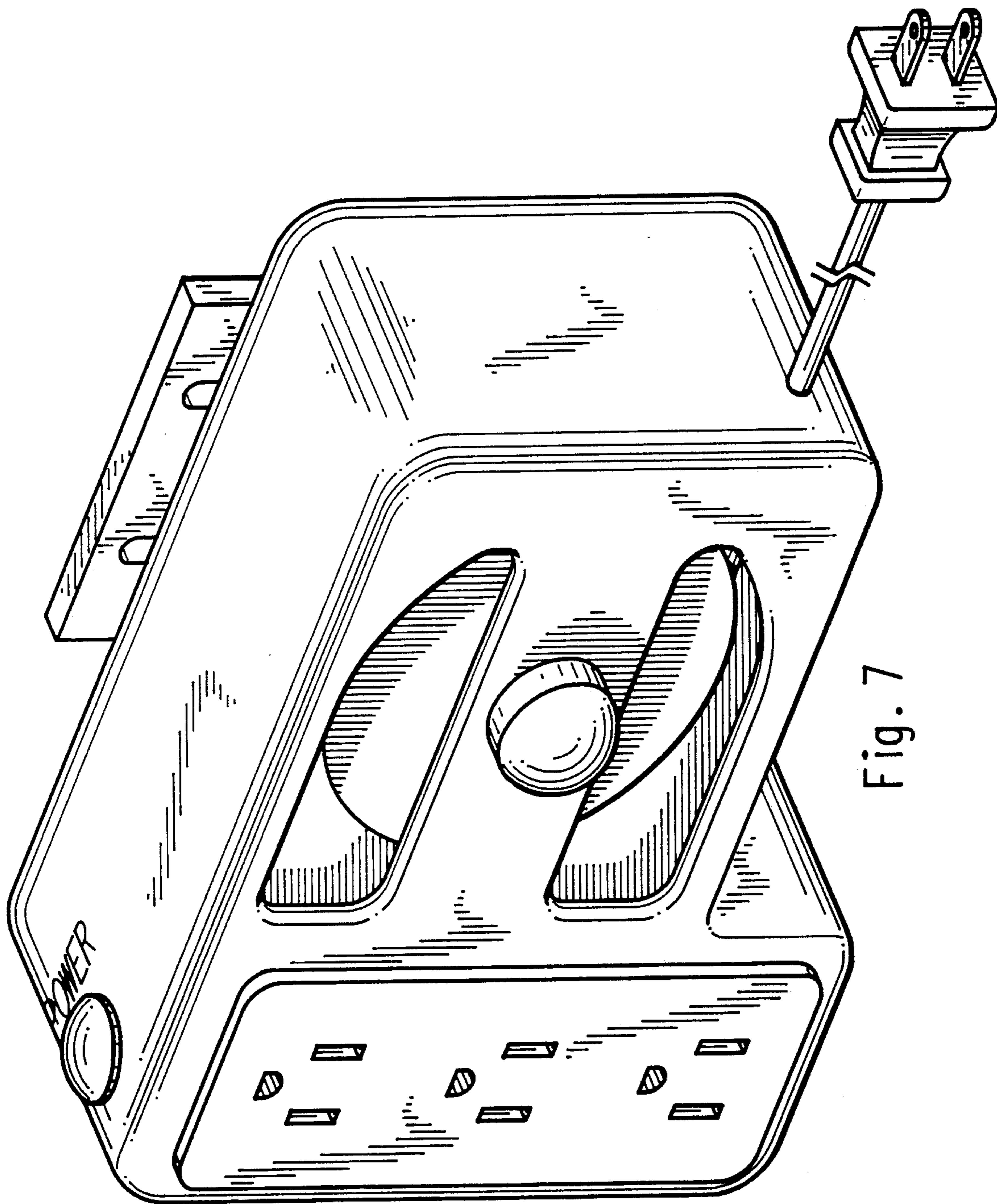


Fig. 7