



US00D324667S

United States Patent [19]

[11] Patent Number: **Des. 324,667**

Williams

[45] Date of Patent: **** Mar. 17, 1992**

[54] WINDSHIELD AIR WIPER

0012954 1/1989 Japan 15/313

[76] Inventor: **Michael Williams**, 155-21st Ave.
#104, Seattle, Wash. 98122

Primary Examiner—James M. Gandy
Assistant Examiner—Melody Brown
Attorney, Agent, or Firm—Leon Gilden

[**] Term: **14 Years**

[57] **CLAIM**

[21] Appl. No.: **481,383**

The ornamental design for a windshield air wiper, as shown and described.

[22] Filed: **Feb. 20, 1990**

[52] U.S. Cl. **D12/155**

DESCRIPTION

[58] Field of Search D12/155; 15/250.35,
15/250.36, 250.38, 250.41, 250.42, 313-318

FIG. 1 is a front elevational view of a windshield air wiper showing my new design;
FIG. 2 is a rear elevational view thereof;
FIG. 3 is a left side elevational view thereof;
FIG. 4 is a right side elevational view thereof;
FIG. 5 is a top plan view thereof; and,
FIG. 6 is a bottom plan view thereof.
The cord has been shown broken away in all views of the drawing to indicate indeterminate length.

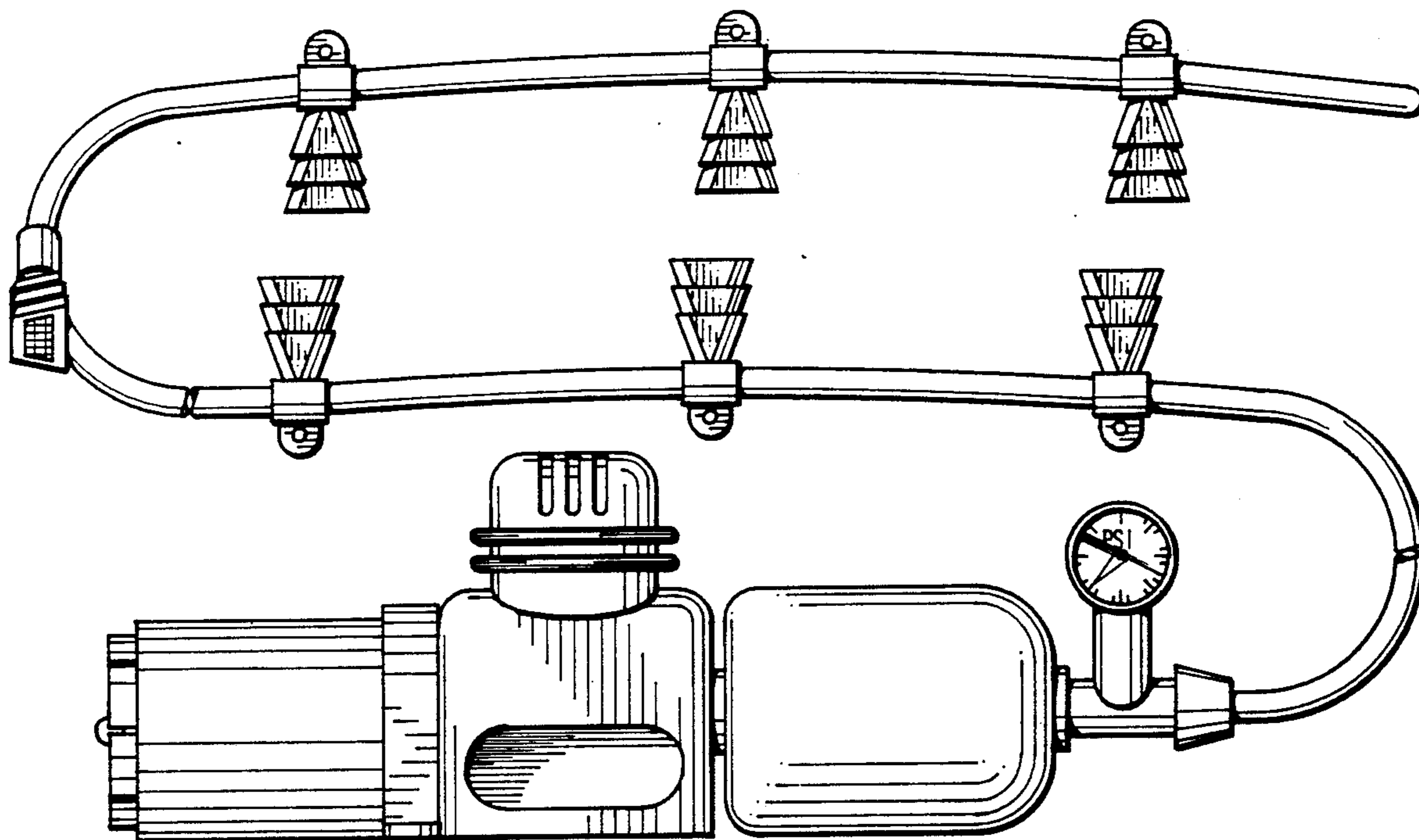
[56] **References Cited**

U.S. PATENT DOCUMENTS

4,505,001 3/1985 Fasolino 15/313

FOREIGN PATENT DOCUMENTS

2338597 2/1975 Fed. Rep. of Germany 15/313



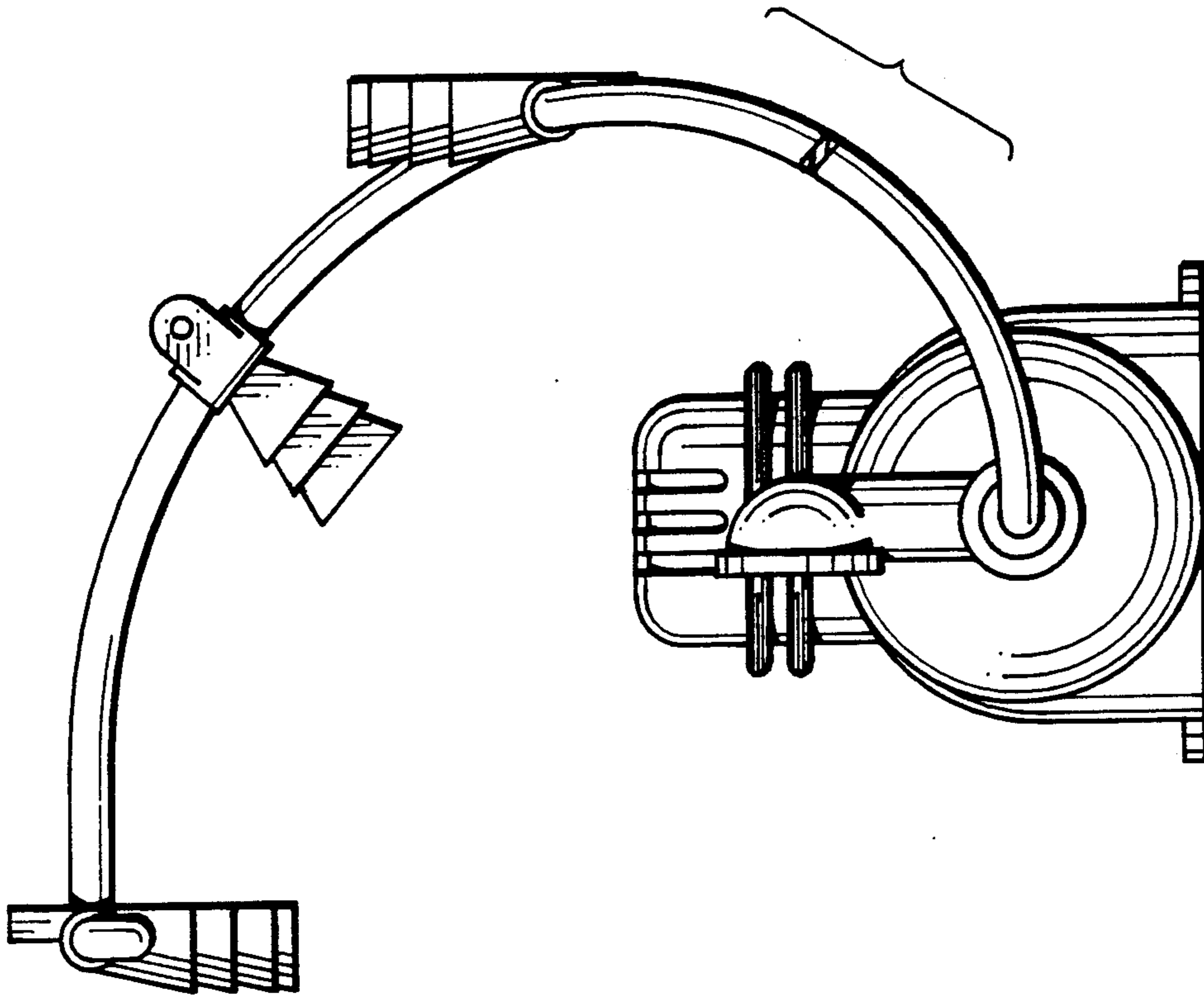


Fig. 1

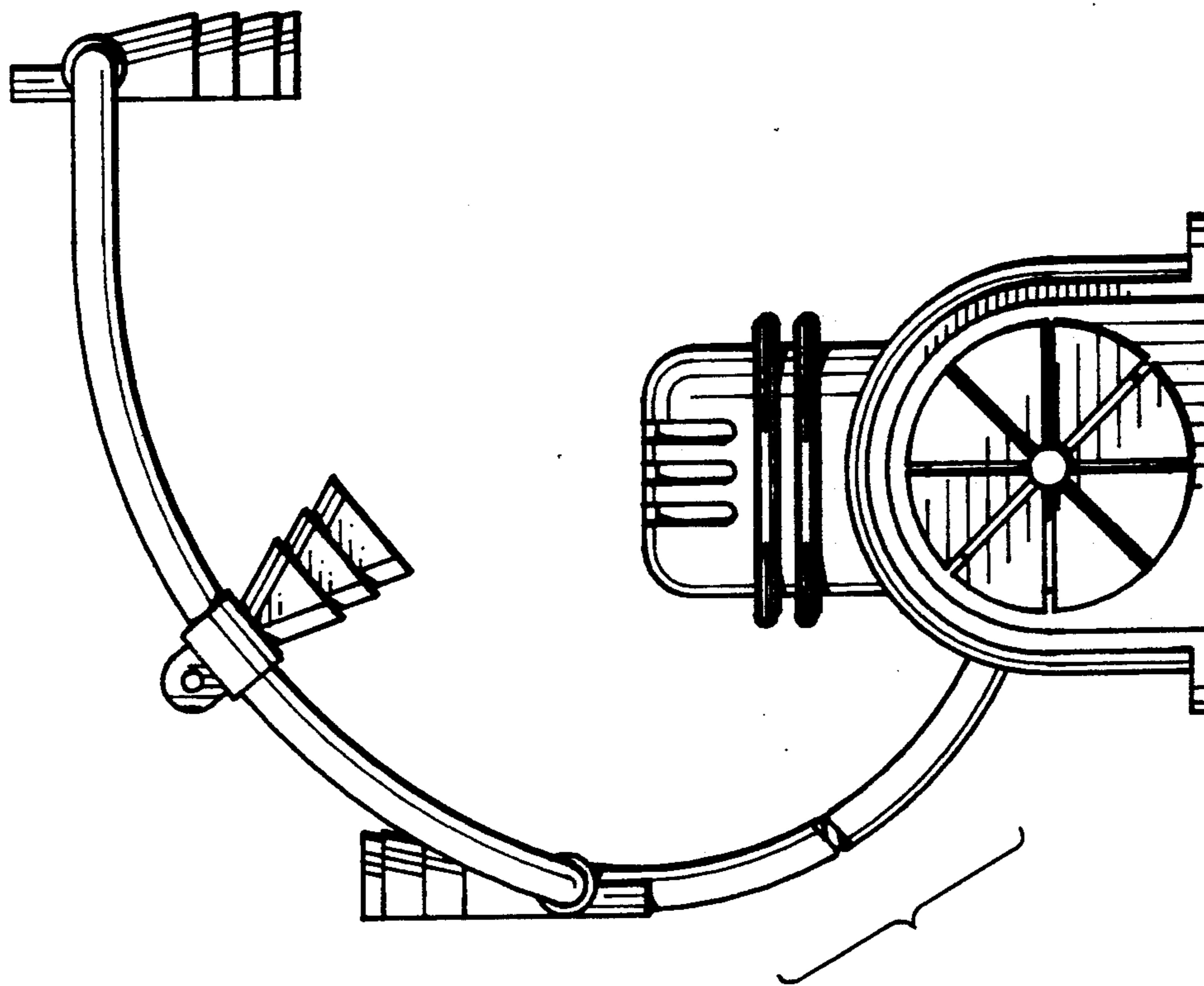


Fig. 2

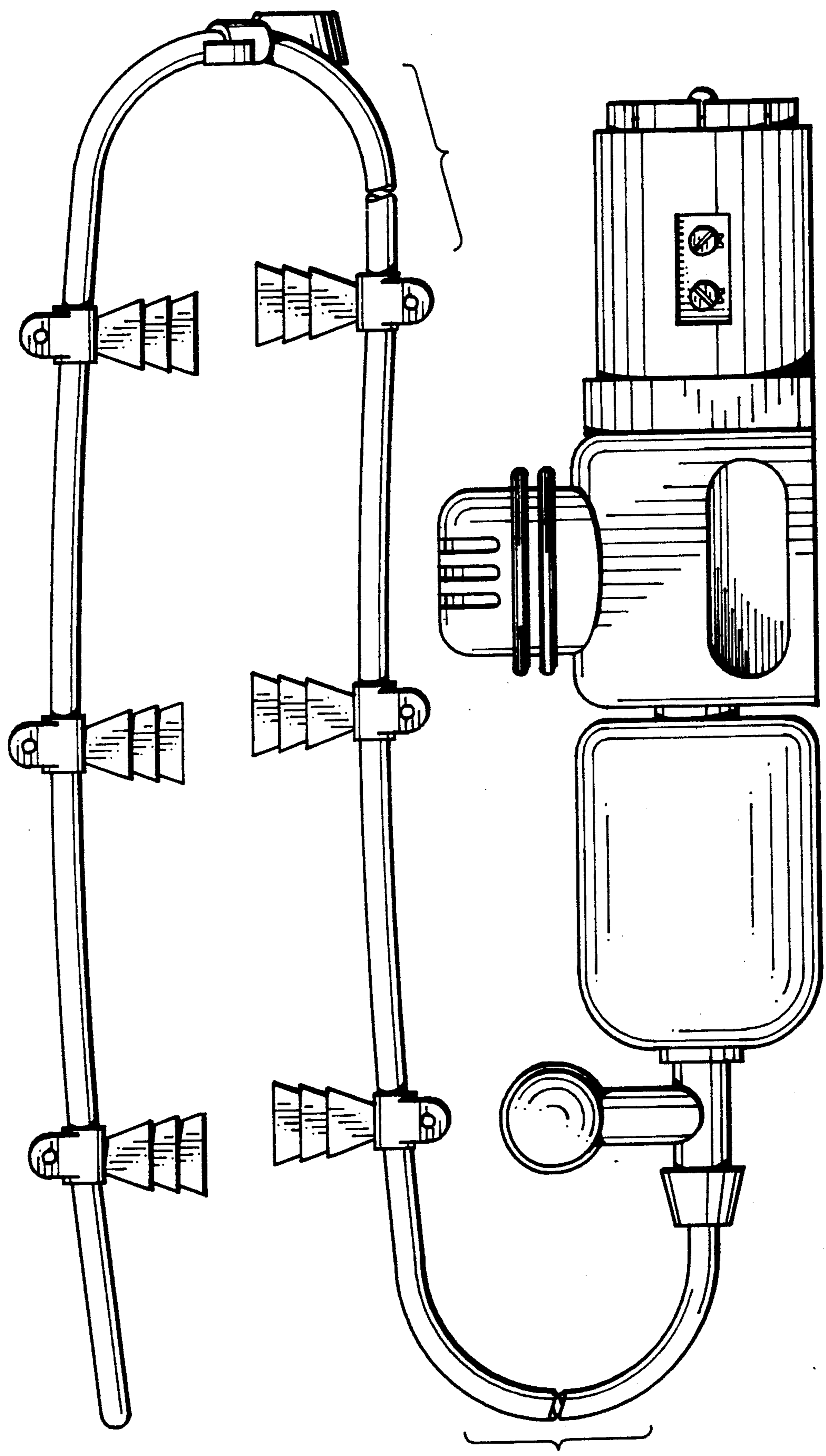


Fig. 3

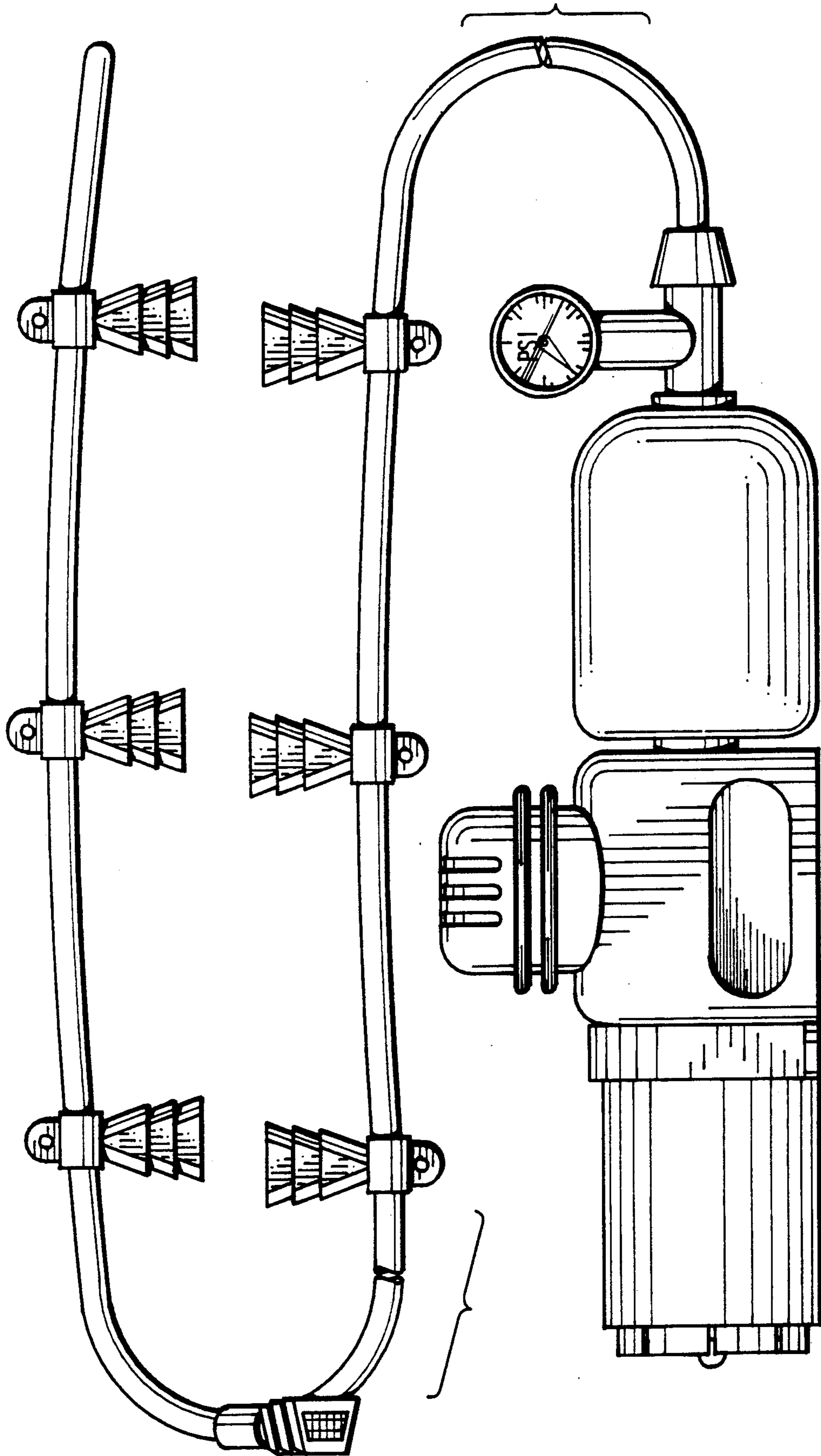


Fig. 4

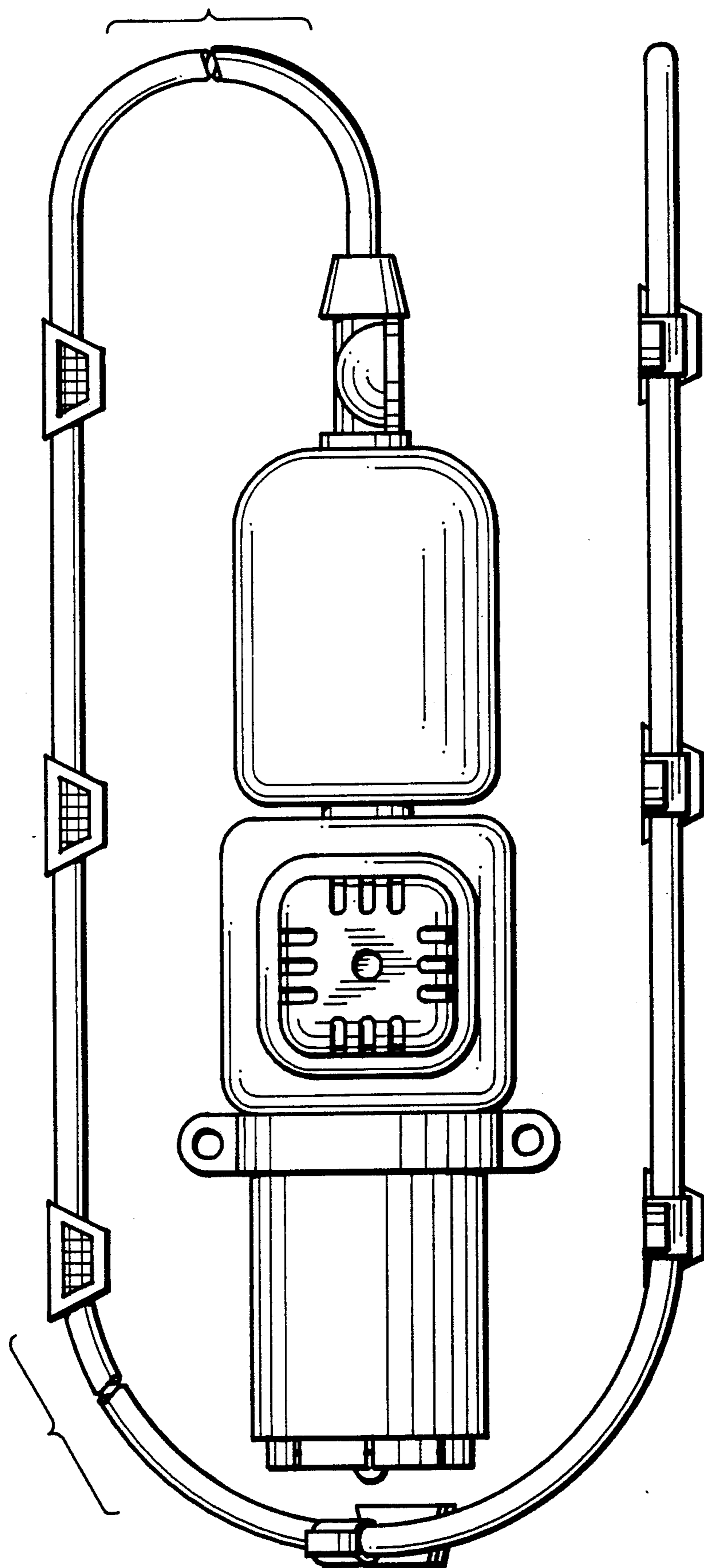


Fig. 5

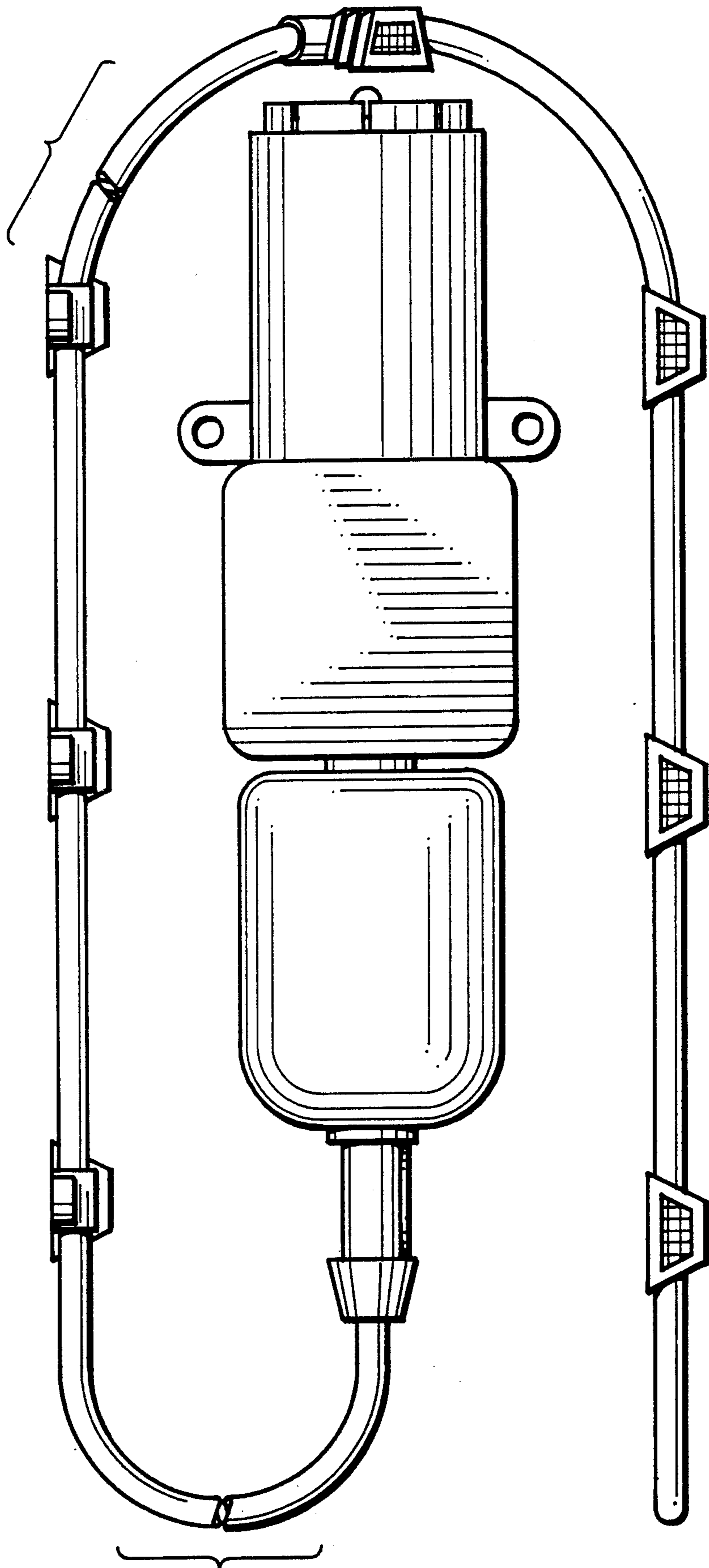


Fig. 6