



US00D324662S

# United States Patent [19]

[11] Patent Number: **Des. 324,662**

Yuki

[45] Date of Patent: **\*\* Mar. 17, 1992**

## [54] PULL TAB FOR SLIDE FASTENER

Assistant Examiner—R. Seifert

[75] Inventor: **Kenji Yuki**, Toyama, Japan

Attorney, Agent, or Firm—Hill, Van Santen, Steadman & Simpson

[73] Assignee: **Yoshida Kogyo K.K.**, Tokyo, Japan

[\*] Notice: The portion of the term of this patent subsequent to Mar. 24, 2009 has been disclaimed.

## [57] CLAIM

The ornamental design for a pull tab for slide fastener, as shown and described.

[\*\*] Term: **14 Years**

[21] Appl. No.: **410,240**

## DESCRIPTION

[22] Filed: **Sep. 21, 1989**

### [30] Foreign Application Priority Data

Mar. 22, 1989 [JP] Japan ..... 1-10324

[52] U.S. Cl. .... **D11/221; D11/200**

[58] Field of Search ..... **D11/200, 201, 221, 212, D11/13, 40-47, 79-80, 85-86, 1-4; 24/381-385, 415-417, 427-431; D3/61, 62**

FIG. 1 is a front elevational view of a pull tab for slide fastener showing my new design;

FIG. 2 is a top plan view;

FIG. 3 is a bottom plan view;

FIG. 4 is a right side elevational view, the left side being a mirror image;

FIG. 5 is a sectional view taken along the line 5—5 of FIG. 1;

FIG. 6 is a sectional view taken along the line 6—6 of FIG. 4;

FIG. 7 is a sectional view taken along the line 7—7 of FIG. 1;

FIG. 8 is a sectional view taken along the line 8—8 of FIG. 1; and

FIG. 9 is a sectional view taken along the line 9—9 of FIG. 1.

### [56] References Cited

#### U.S. PATENT DOCUMENTS

D. 109,344	4/1938	Stevens	.....	D11/221
1,919,946	7/1933	Johnson	.....	24/430
2,580,845	1/1952	Sam	.....	D3/61

Primary Examiner—A. Hugo Word

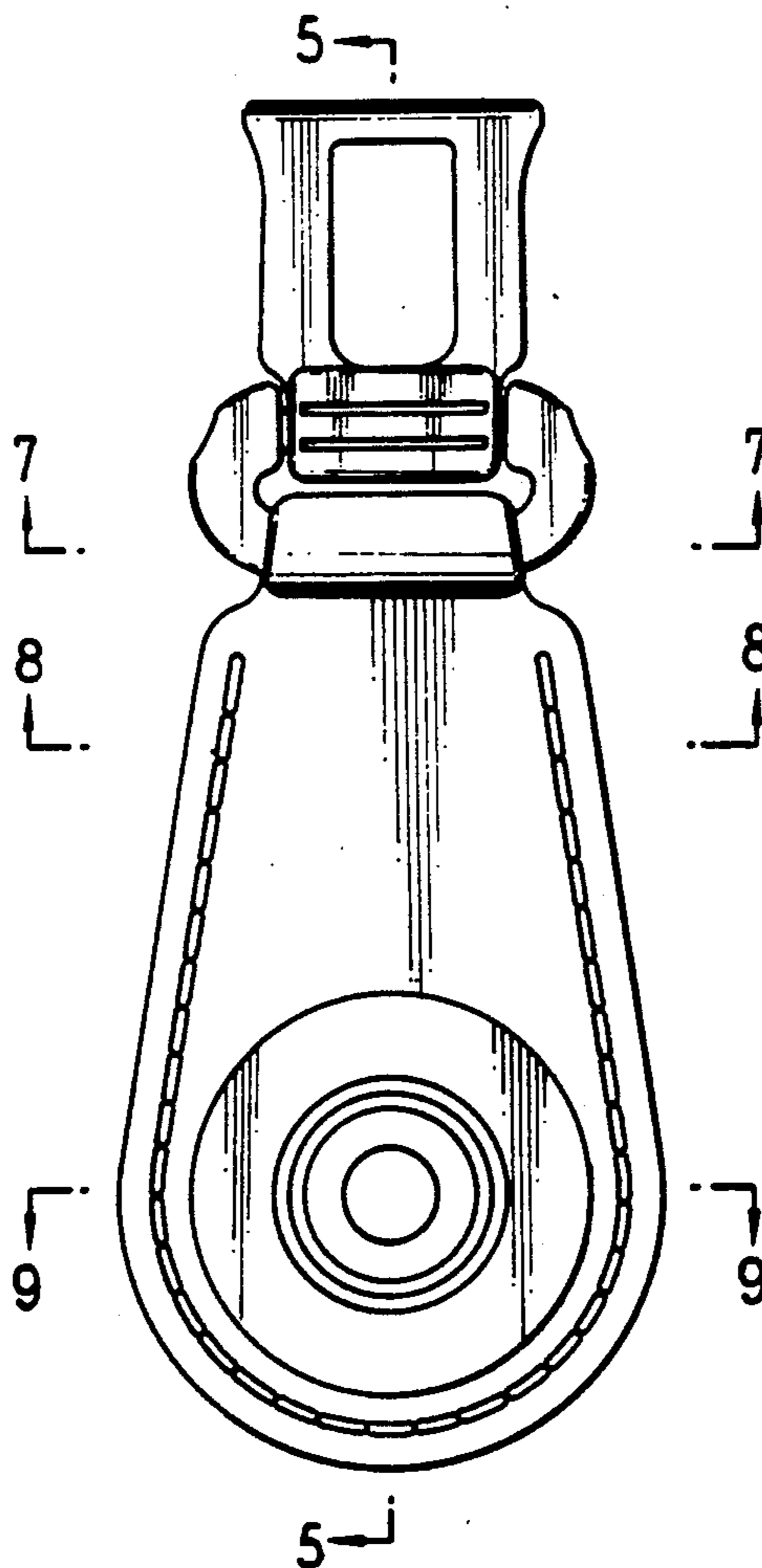


FIG. 1

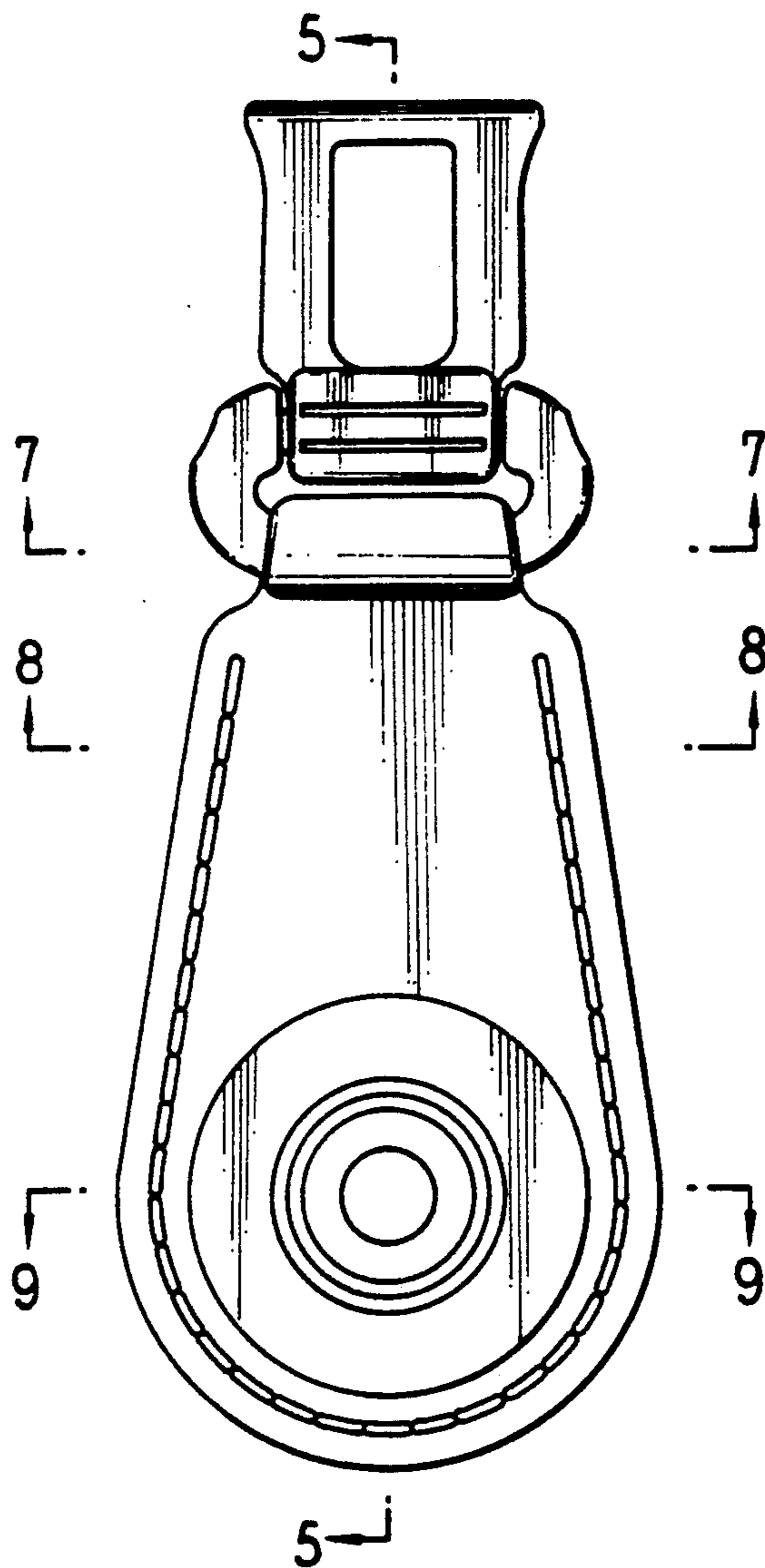


FIG. 2

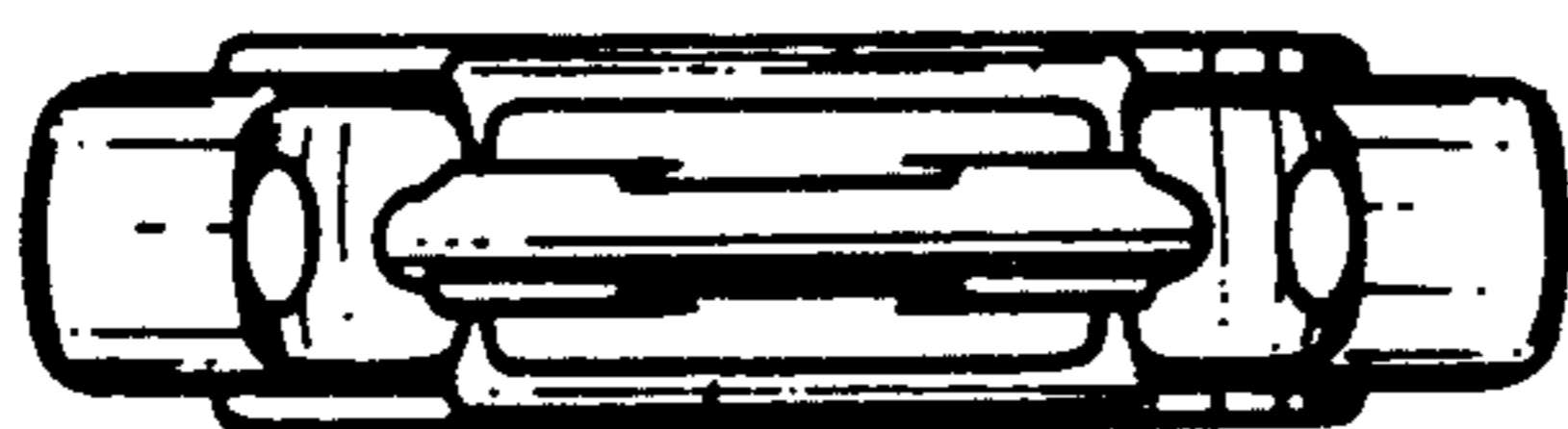


FIG. 3

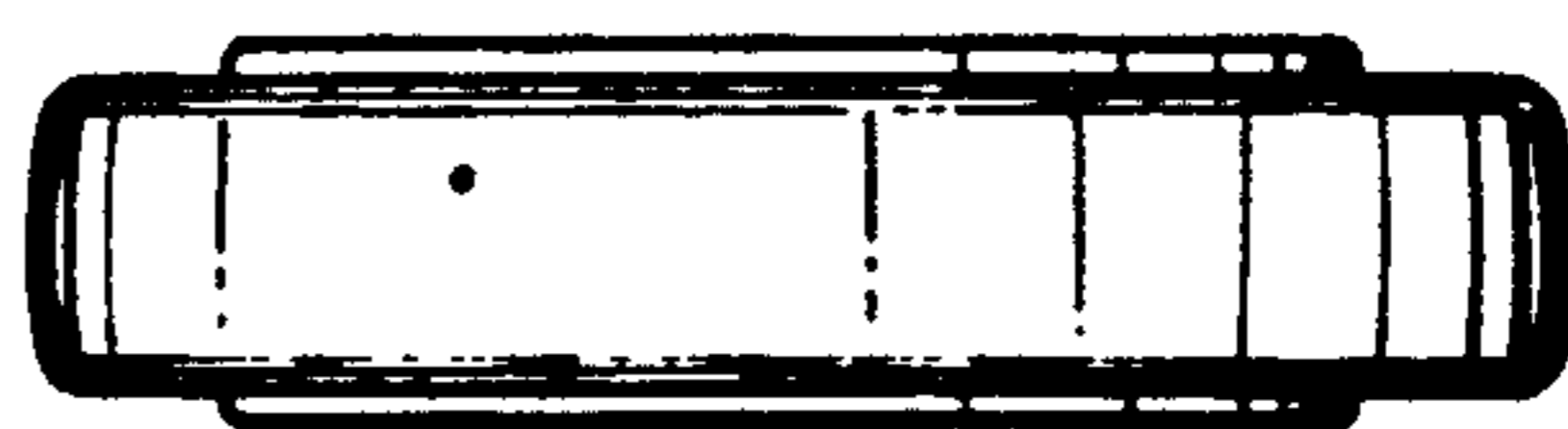




FIG. 4

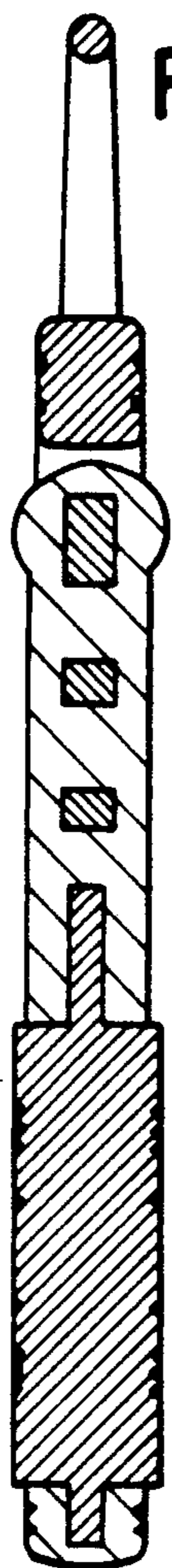


FIG. 5

FIG. 6

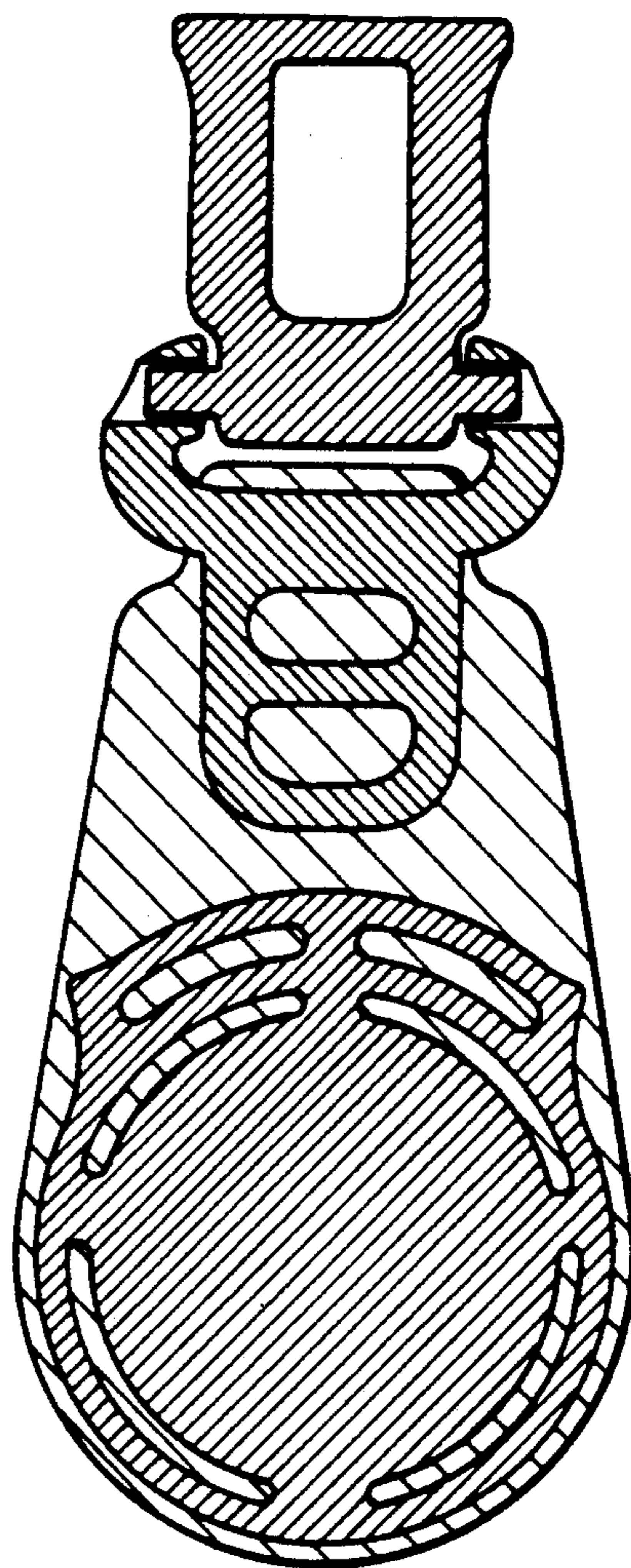


FIG. 7

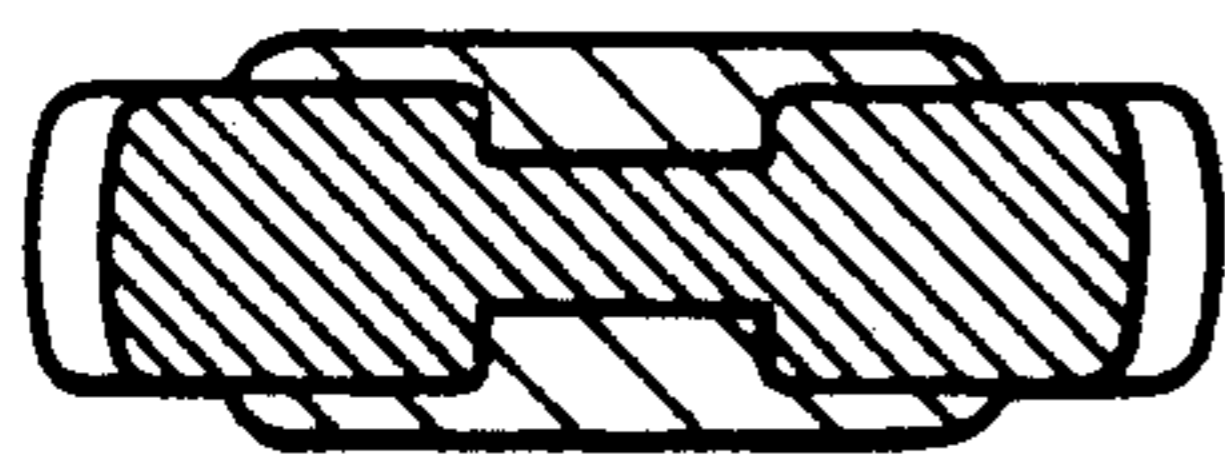


FIG. 8

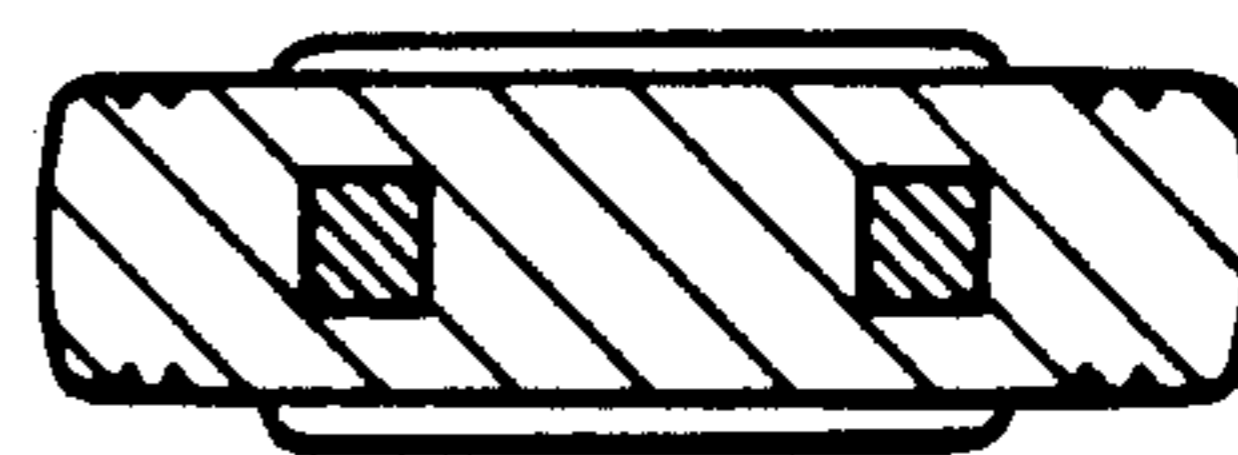


FIG. 9

