



US00D324661S

United States Patent [19]

[11] Patent Number: **Des. 324,661**

Terada et al.

[45] Date of Patent: **** Mar. 17, 1992**

[54] **PULL TAB FOR SLIDE FASTENER**

[75] Inventors: **Yasuharu Terada, Uozu; Chiharu Takemura, Kurobe, both of Japan**

[73] Assignee: **Yoshida Kogyo K. K., Tokyo, Japan**

[**] Term: **14 Years**

[21] Appl. No.: **342,565**

[22] Filed: **Apr. 24, 1989**

[30] Foreign Application Priority Data

Oct. 24, 1987 [JP] Japan 63-41712

[52] U.S. Cl. **D11/221; D11/200**

[58] Field of Search **D11/200, 201, 221, 212, D11/13, 40-47, 79-80, 85-86, 1-4; 24/381-385, 415-417, 427-431; D20/27; D30/155**

[56] **References Cited**

U.S. PATENT DOCUMENTS

- D. 229,198 11/1973 Cockburn D30/155
- D. 306,613 3/1990 Parker D20/27
- 2,486,401 11/1949 Gerstman 24/430

FOREIGN PATENT DOCUMENTS

- 2117445 3/1982 United Kingdom 24/415

Primary Examiner—A. Hugo Word
Assistant Examiner—R. T. Seifert
Attorney, Agent, or Firm—Hill, Van Santen, Steadman & Simpson

[57] **CLAIM**

The ornamental design for a pull tab for slide fastener, as shown and described.

DESCRIPTION

FIG. 1 is a front elevational view of a pull tab for slide fastener showing my new design, the rear being a mirror image;

FIG. 2 is a right side elevational view, the left side being a mirror image;

FIG. 3 is a top plan view;

FIG. 4 is a bottom plan view;

FIG. 5 is a sectional view taken along the line 5—5 of FIG. 1;

FIG. 6 is a sectional view taken along the line 6—6 of FIG. 2;

FIG. 7 is an enlarged sectional view taken along the line 7—7 of FIG. 1; and

FIG. 8 is an enlarged sectional view taken along the line 8—8 of FIG. 1.

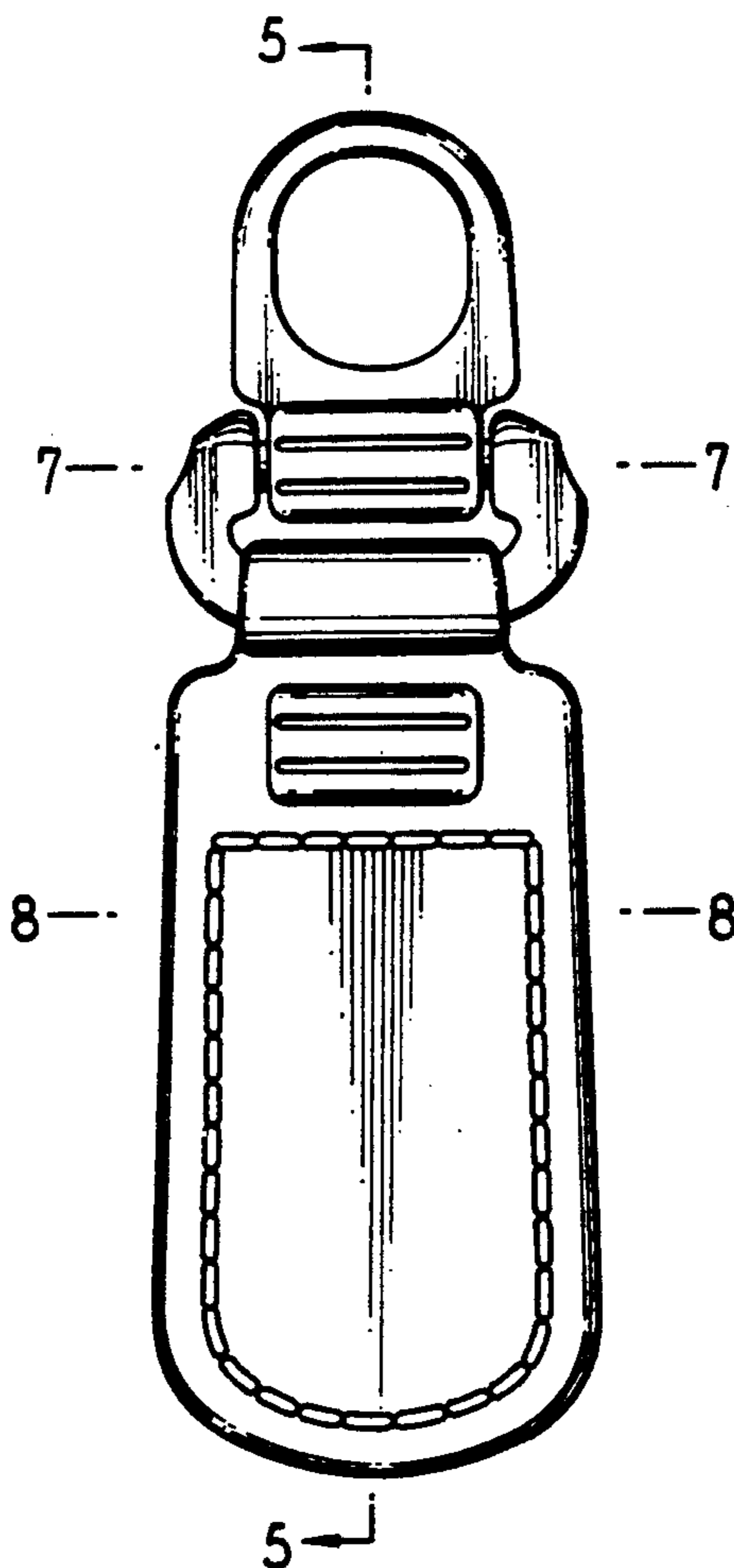


FIG. 1

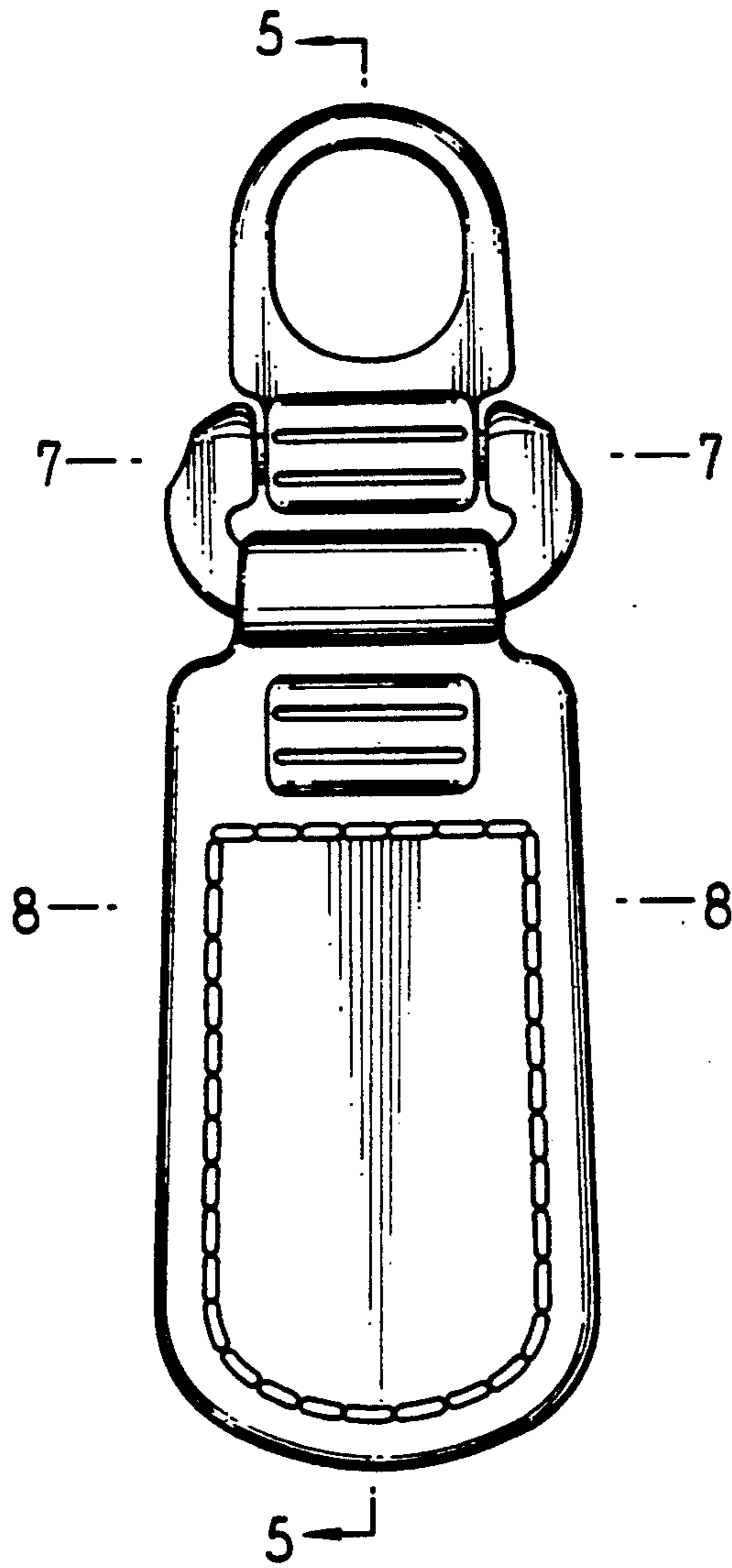


FIG. 2

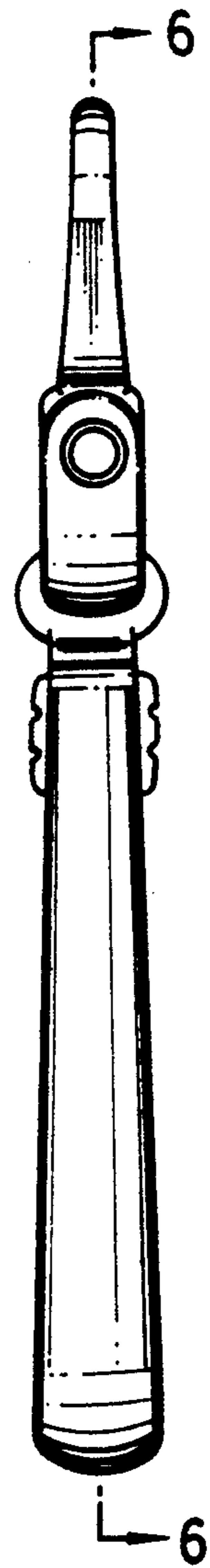


FIG. 4

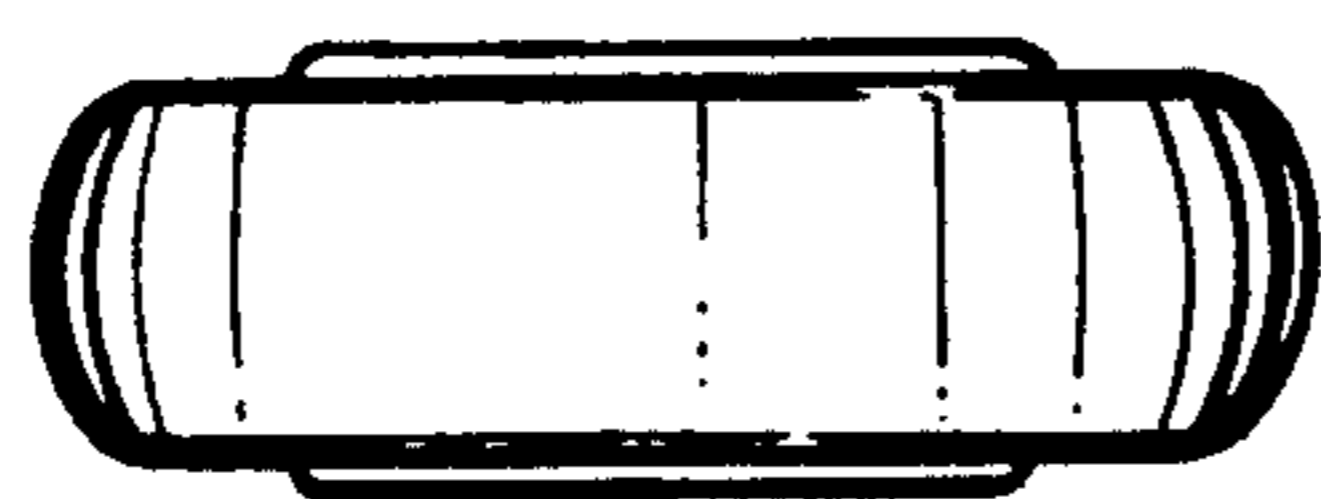


FIG. 3

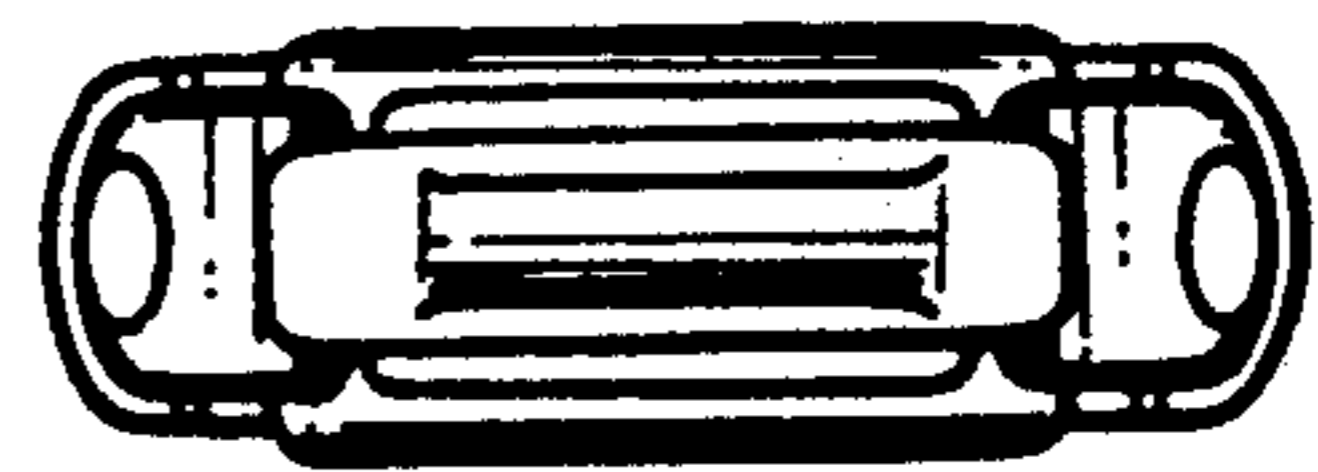


FIG. 6

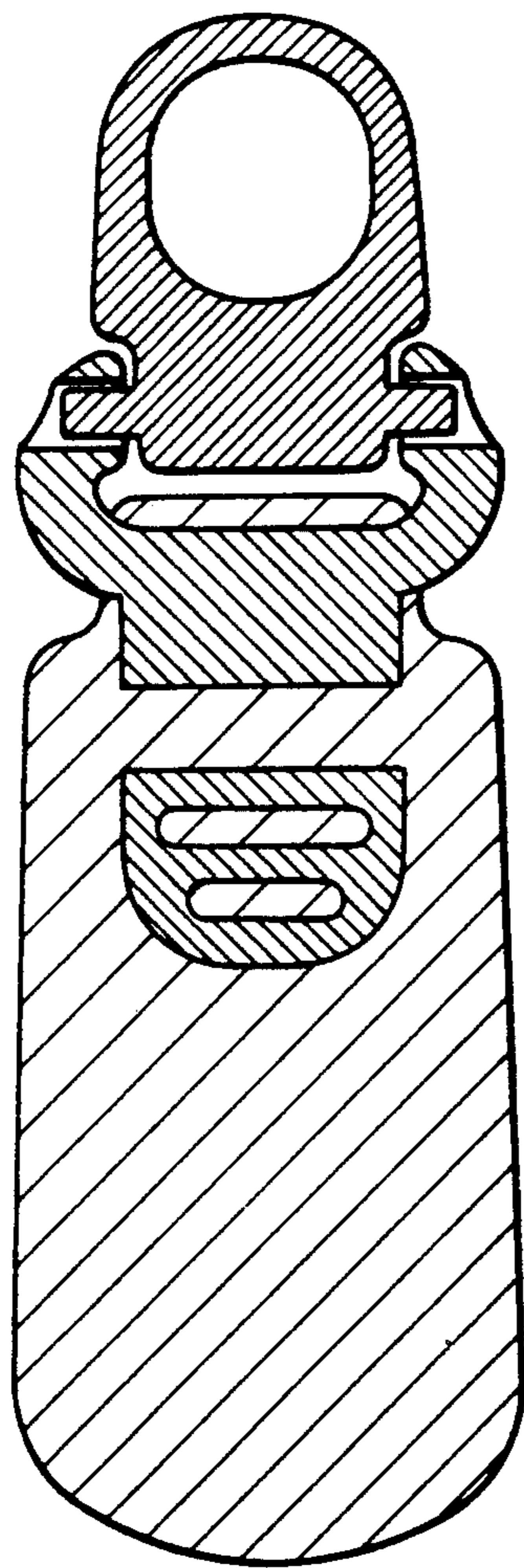


FIG. 5



FIG. 7

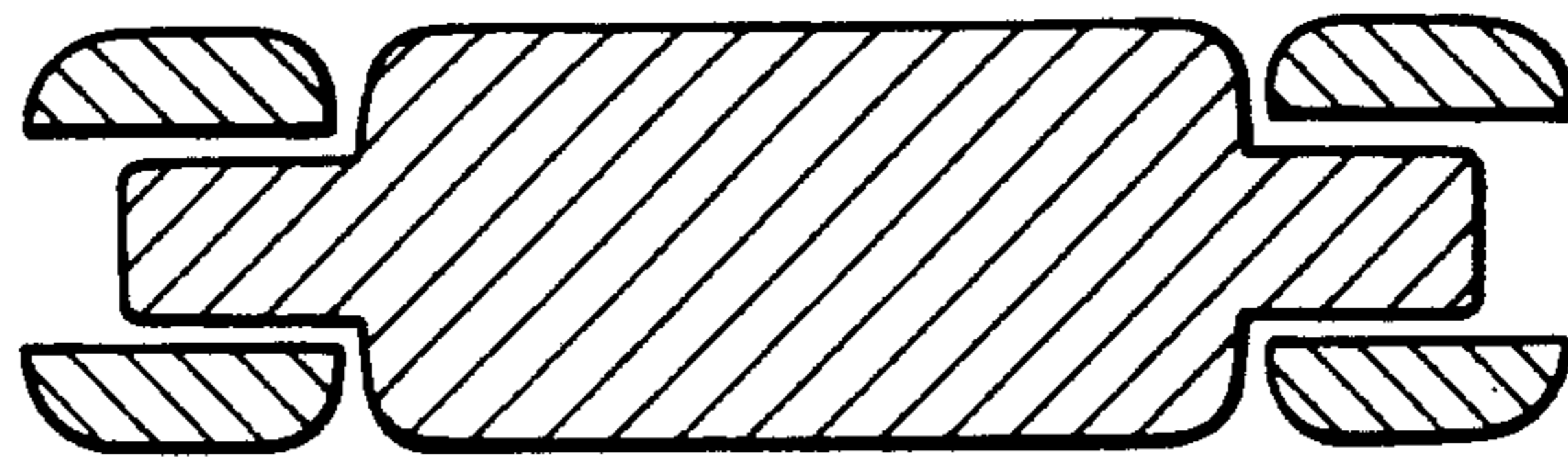


FIG. 8

