



US00D324655S

United States Patent [19]

[11] Patent Number: **Des. 324,655**

Bulgari

[45] Date of Patent: **** Mar. 17, 1992**

[54] **COMBINED POCKET WATCH AND CHAIN PORTION**

[75] Inventor: **Paolo Bulgari, Rome, Italy**

[73] Assignee: **Bulgari Time (Switzerland) S.A., Rome, Italy**

[**] Term: **14 Years**

[21] Appl. No.: **423,103**

[22] Filed: **Oct. 18, 1989**

[52] U.S. Cl. **D10/37; D10/30**

[58] Field of Search **D10/1-40, D10/127-132; 368/276-272, 280-282, 285**

[56] **References Cited**

U.S. PATENT DOCUMENTS

- D. 73,095 7/1927 Messick D10/31
- D. 256,560 8/1980 van Eyben D10/31 X
- D. 259,106 5/1981 Day D10/31

OTHER PUBLICATIONS

Jeweler's Circular-Keystone—7/66, p. 81—Pendant Watches, at far-left and top right.

European Jeweler—7/74—p. 59—Watch at bottom-right.

Swiss Watch & Jewelry Journal—5/83—Watch at center. Form 119—11/10/87—p. 84—Watch at top-right.

Primary Examiner—Nelson C. Holtje
Attorney, Agent, or Firm—Barnes, Kisselle, Raisch, Choate, Whittemore & Hulbert

[57] **CLAIM**

The ornamental design for a combined pocket watch and chain portion, as shown and described.

DESCRIPTION

FIG. 1 is a front elevational view of a combined pocket watch and chain portion showing my new design;

FIG. 2 is a left side elevational view thereof;

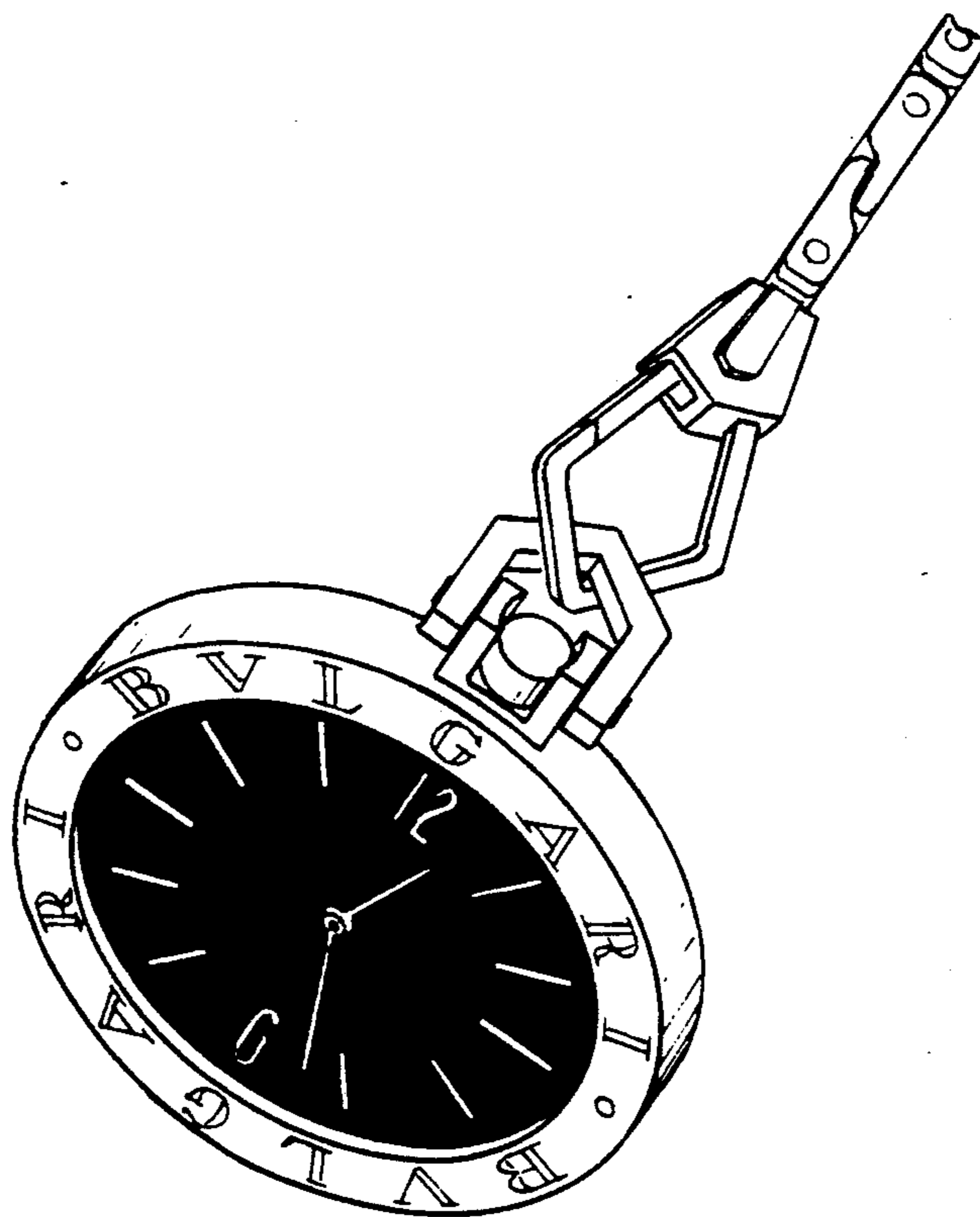
FIG. 3 is a rear elevational view thereof;

FIG. 4 is a right side elevational view thereof;

FIG. 5 is a top plan view thereof;

FIG. 6 is a bottom plan view thereof; and,

FIG. 7 is a top and right-front perspective view thereof.



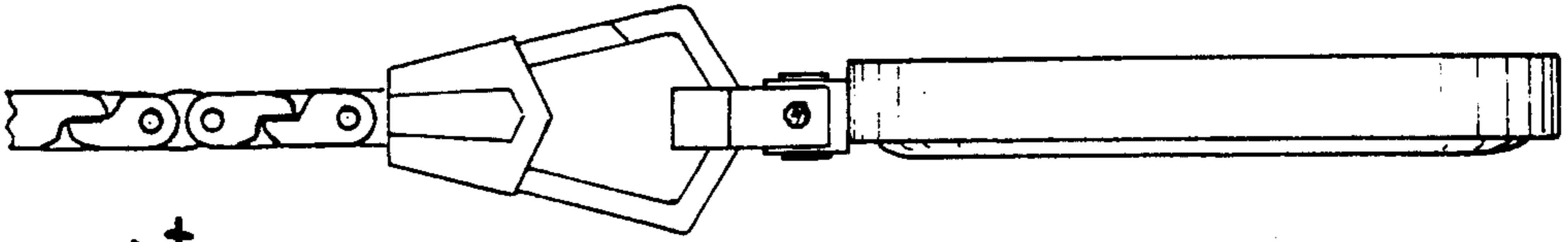


FIG. 4

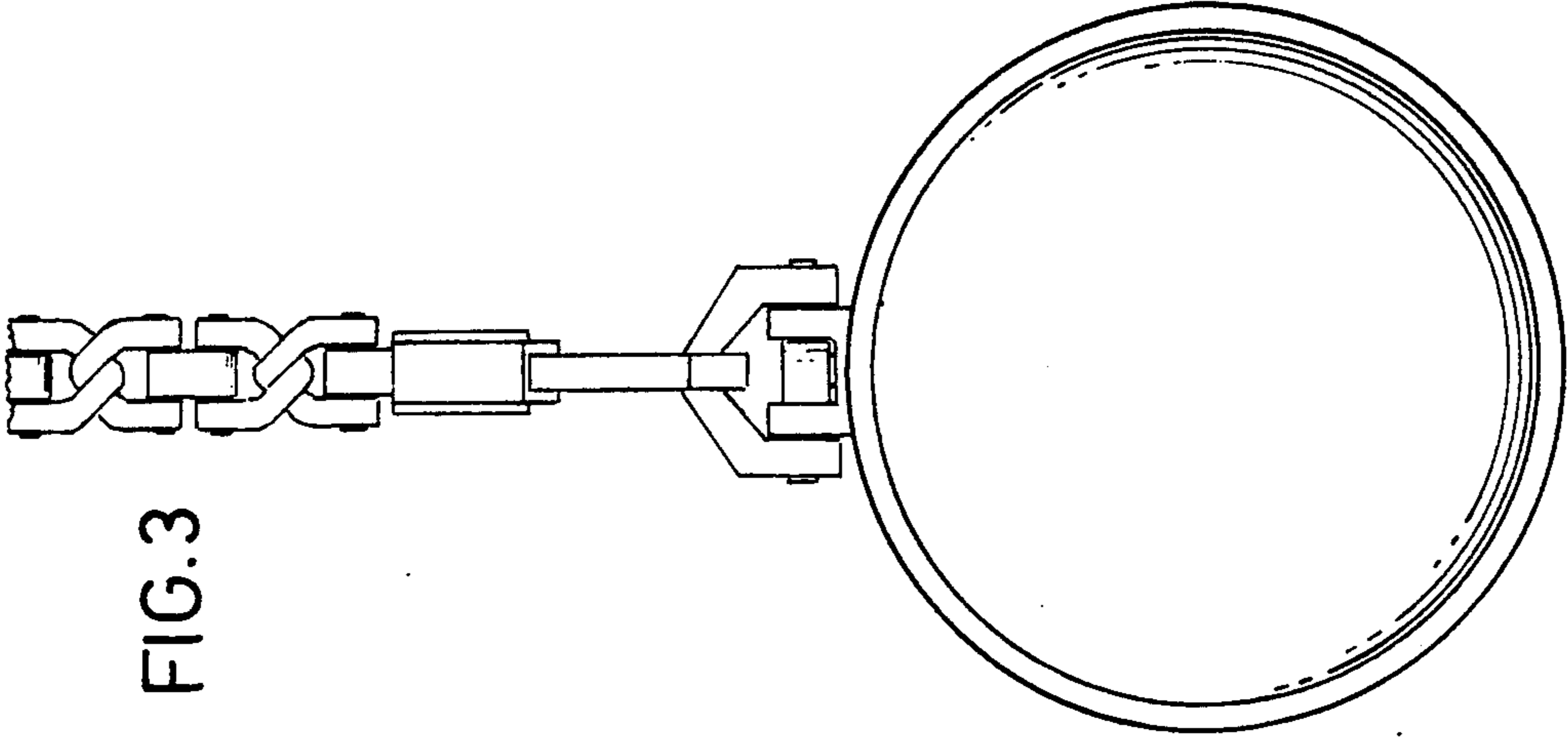


FIG. 3

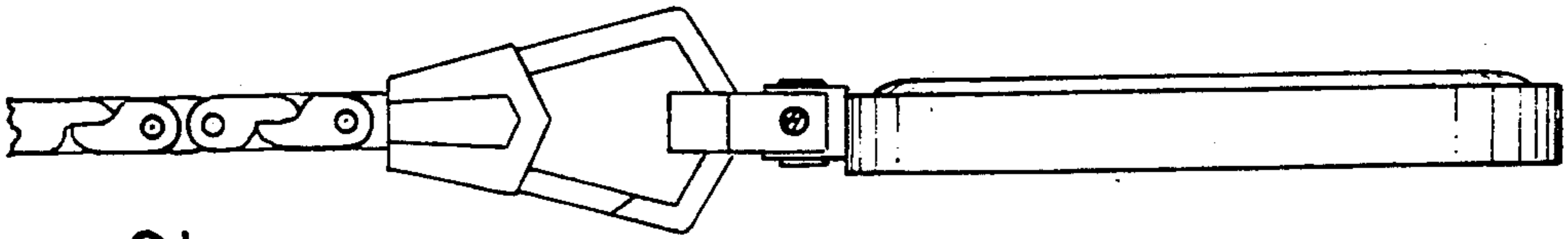


FIG. 2

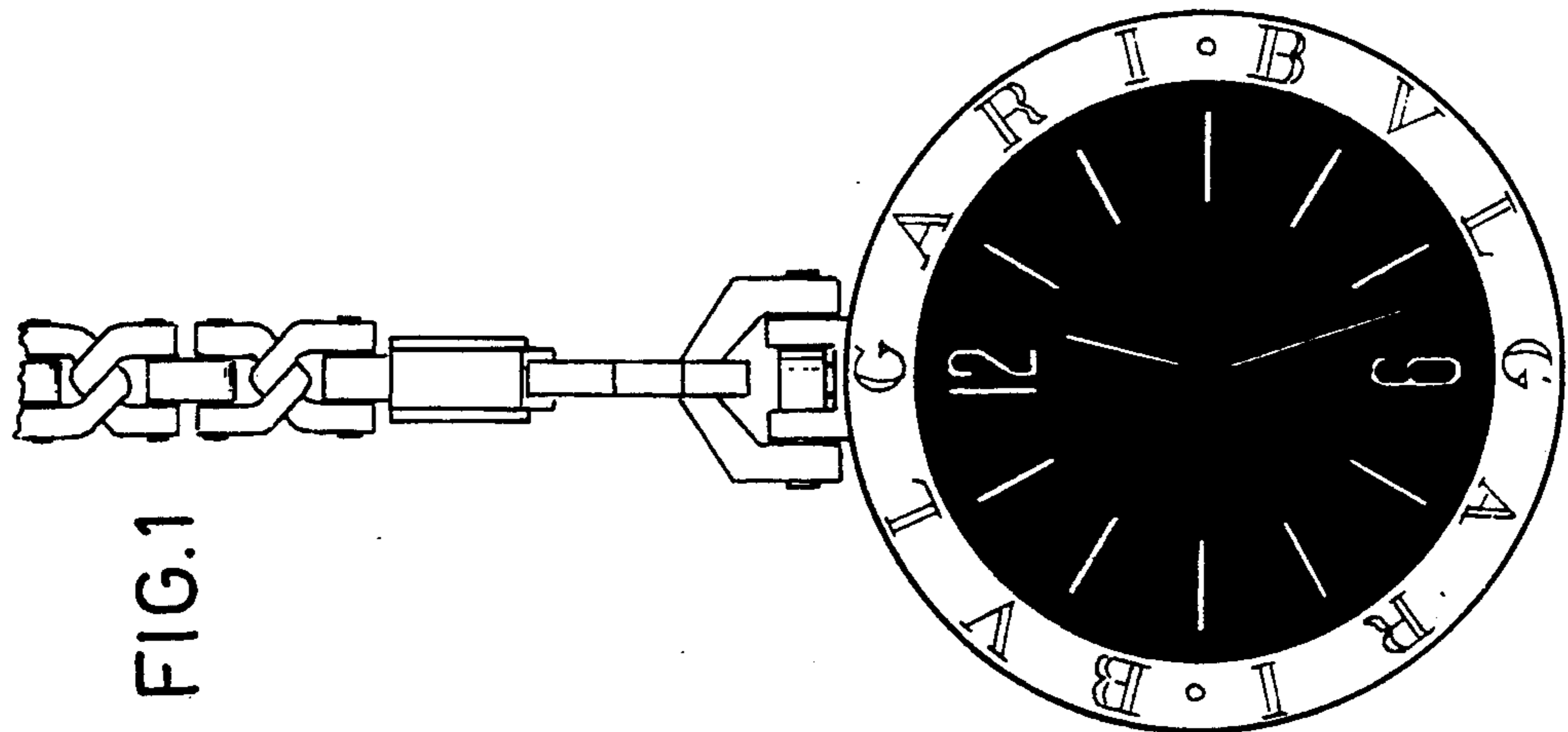


FIG. 1

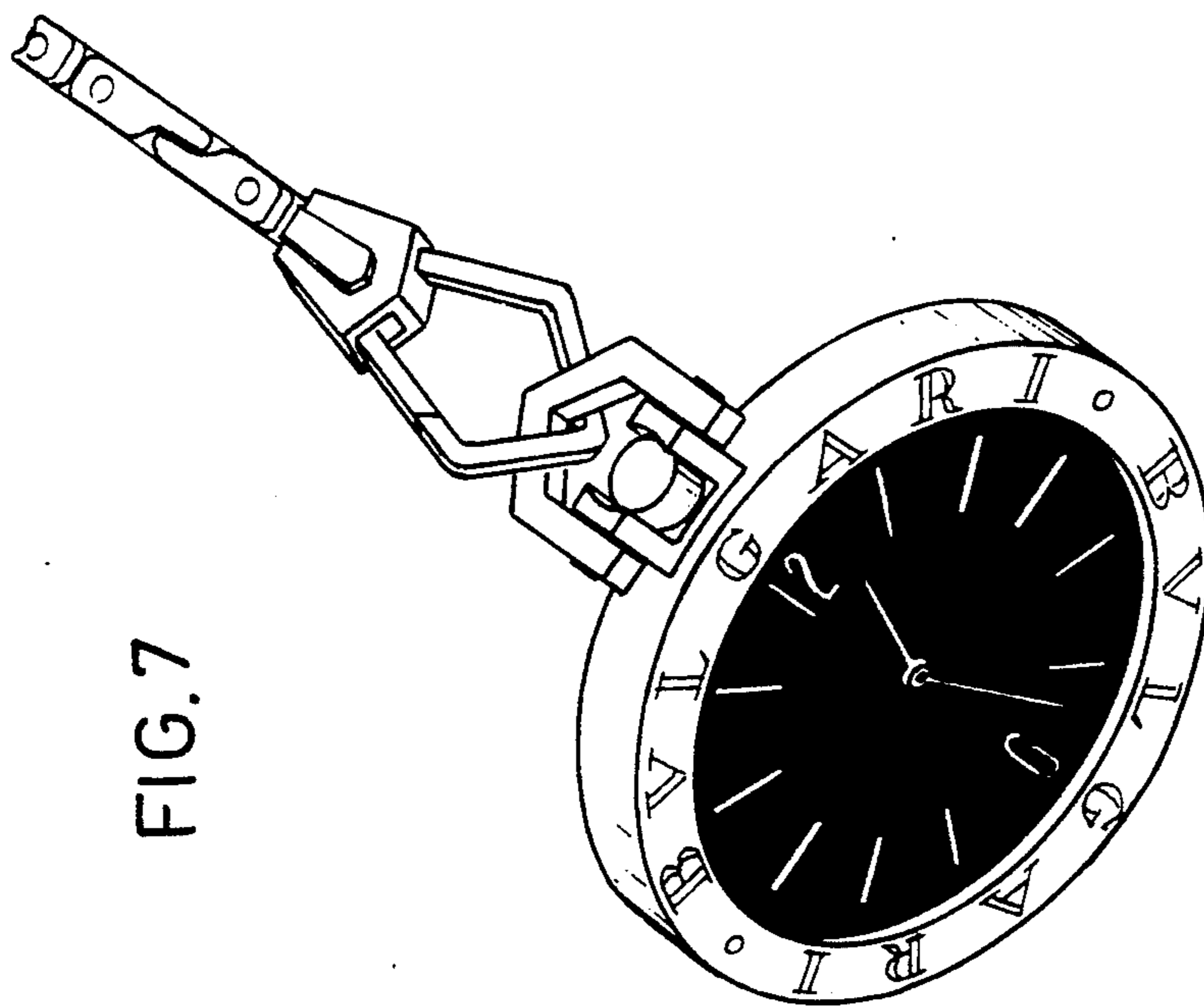


FIG. 7

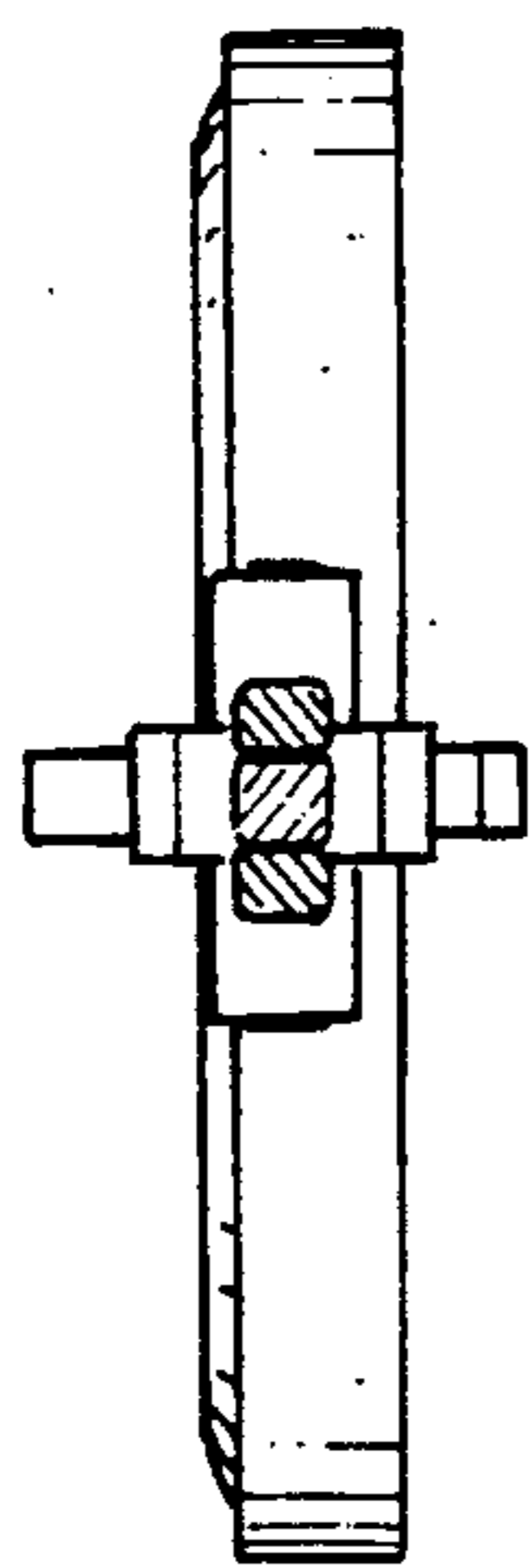


FIG. 5

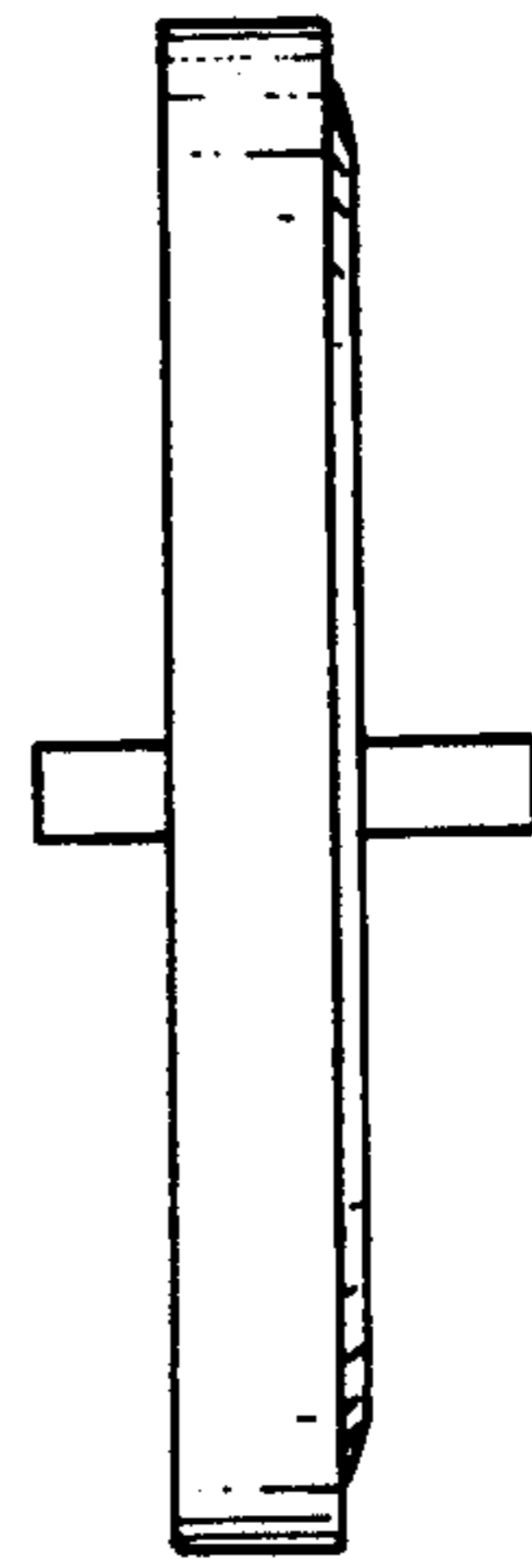


FIG. 6