



US00D324651S

# United States Patent [19]

[11] Patent Number: **Des. 324,651**

**Kaneko**

[45] Date of Patent: **\*\* Mar. 17, 1992**

[54] **PACKING BOX**

[75] Inventor: **Ryoichi Kaneko, Tokyo, Japan**

[73] Assignee: **Seikosha Co., Ltd., Japan**

[\*\*] Term: **14 Years**

[21] Appl. No.: **473,209**

[22] Filed: **Jan. 31, 1990**

[52] U.S. Cl. .... **D9/418; D9/432**

[58] Field of Search ..... **D9/418, 432, 415, 337, D9/341; 206/45.31, 45.34, 45.14, 216; 229/564, 162**

4,429,791 2/1984 Ruppel et al. .... 206/45.31 X  
 4,431,114 2/1984 Kleinfeld ..... 206/45.34 X

*Primary Examiner*—Bernard Ansher  
*Assistant Examiner*—Prabhakar Deshmukh  
*Attorney, Agent, or Firm*—Bruce L. Adams; Van C. Wilks

### [57] CLAIM

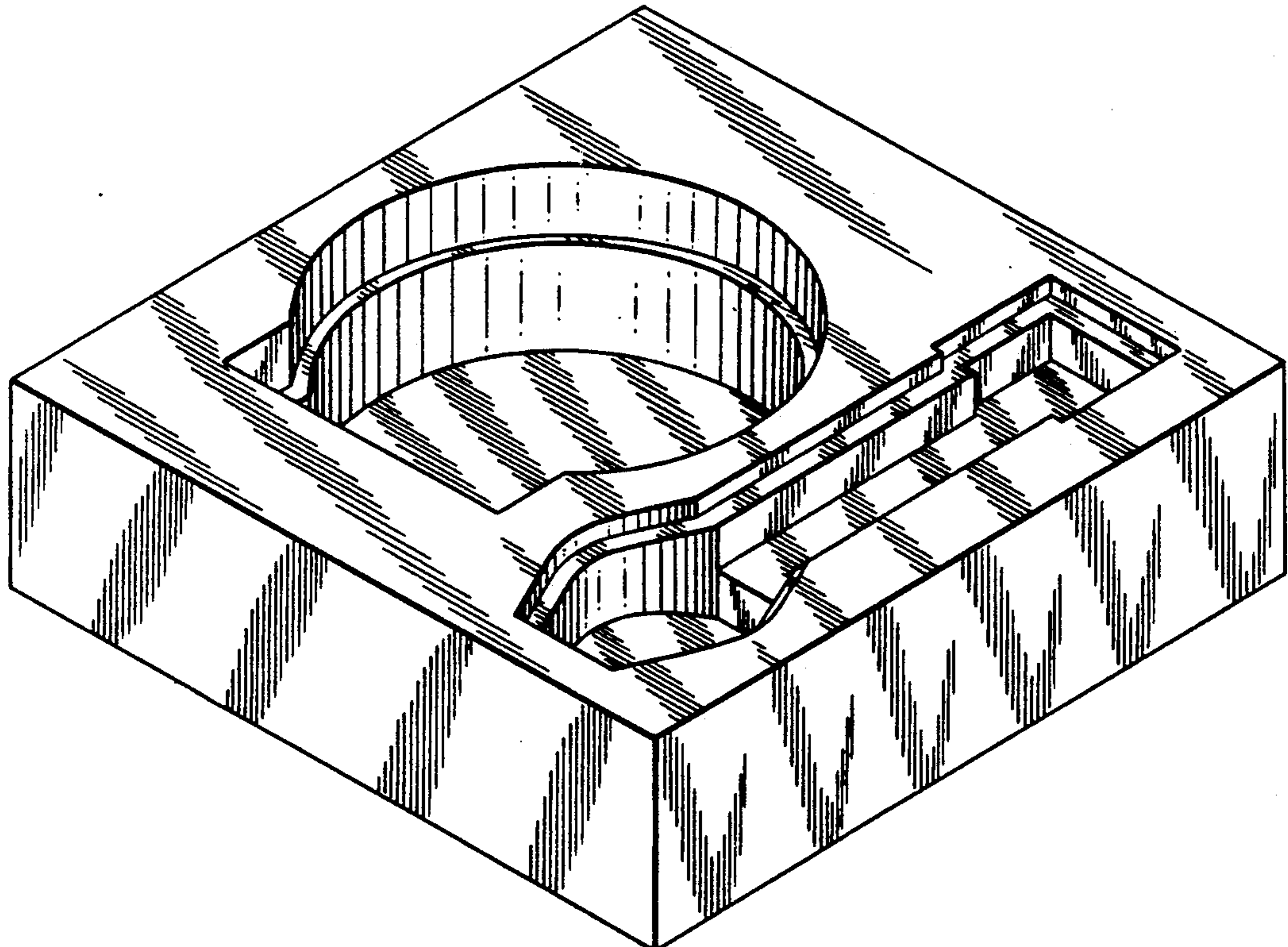
The ornamental design for a packing box, as shown and described.

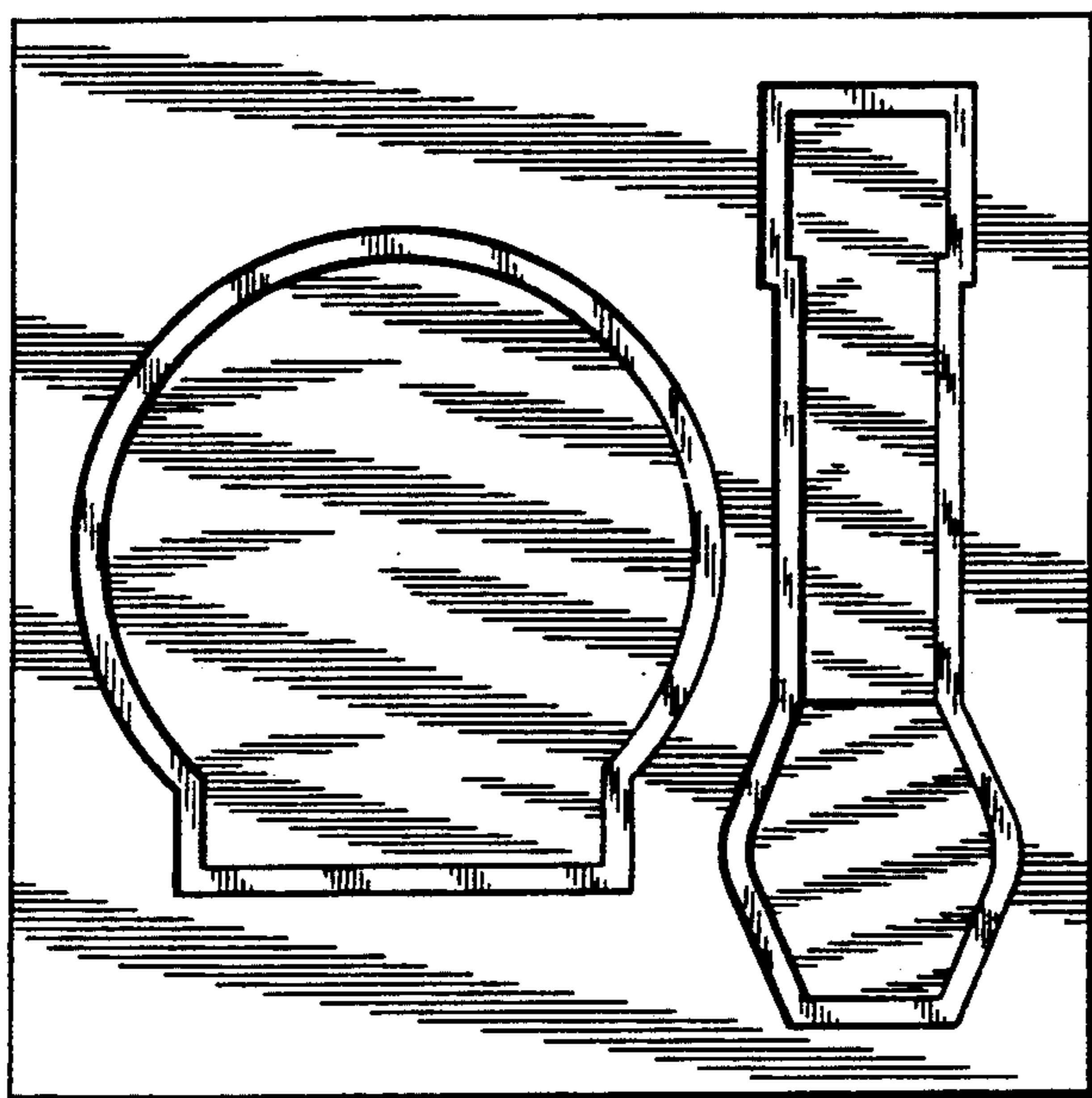
### DESCRIPTION

FIG. 1 is a front elevational view of a packing box showing my new design;  
 FIG. 2 is a rear elevational view thereof;  
 FIG. 3 is a right side elevational view thereof, the left side being the same in appearance as the right side;  
 FIG. 4 is a top plan view thereof, the bottom being the same in appearance as the top; and,  
 FIG. 5 is a top and right front perspective view thereof.

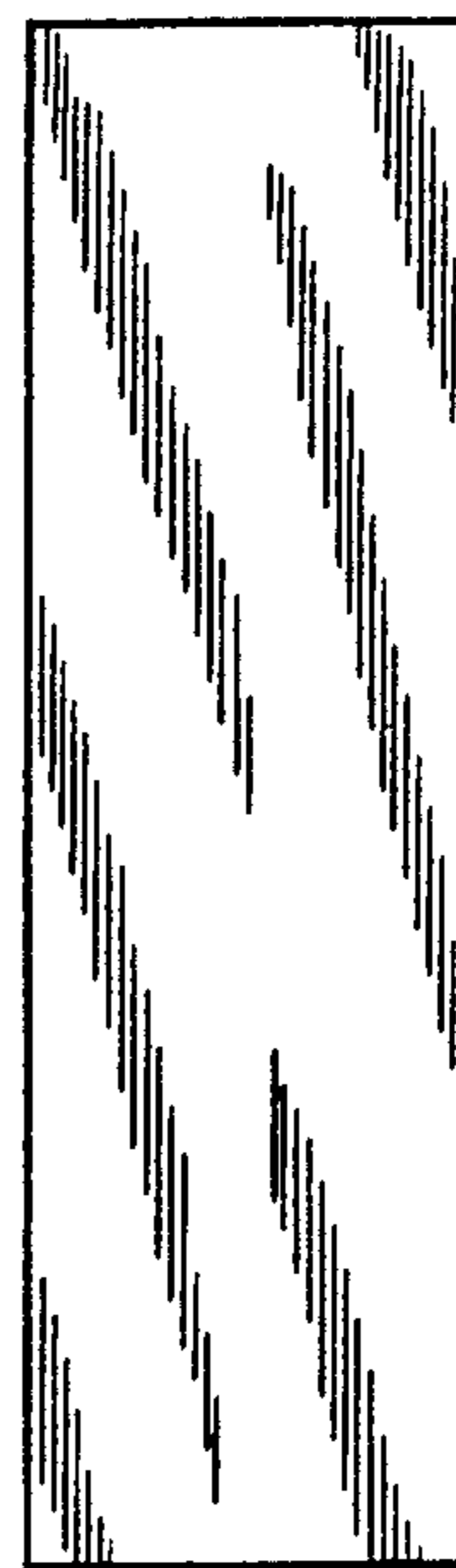
[56] **References Cited**  
**U.S. PATENT DOCUMENTS**

|            |         |                 |       |             |
|------------|---------|-----------------|-------|-------------|
| D. 262,191 | 12/1981 | Quillen         | ..... | D9/418 X    |
| D. 291,534 | 8/1987  | Hamilton et al. | ..... | D9/418 X    |
| 3,604,556  | 9/1971  | Schwartz        | ..... | 206/45.34 X |
| 4,125,185  | 11/1978 | Bliss           | ..... | 206/45.31 X |

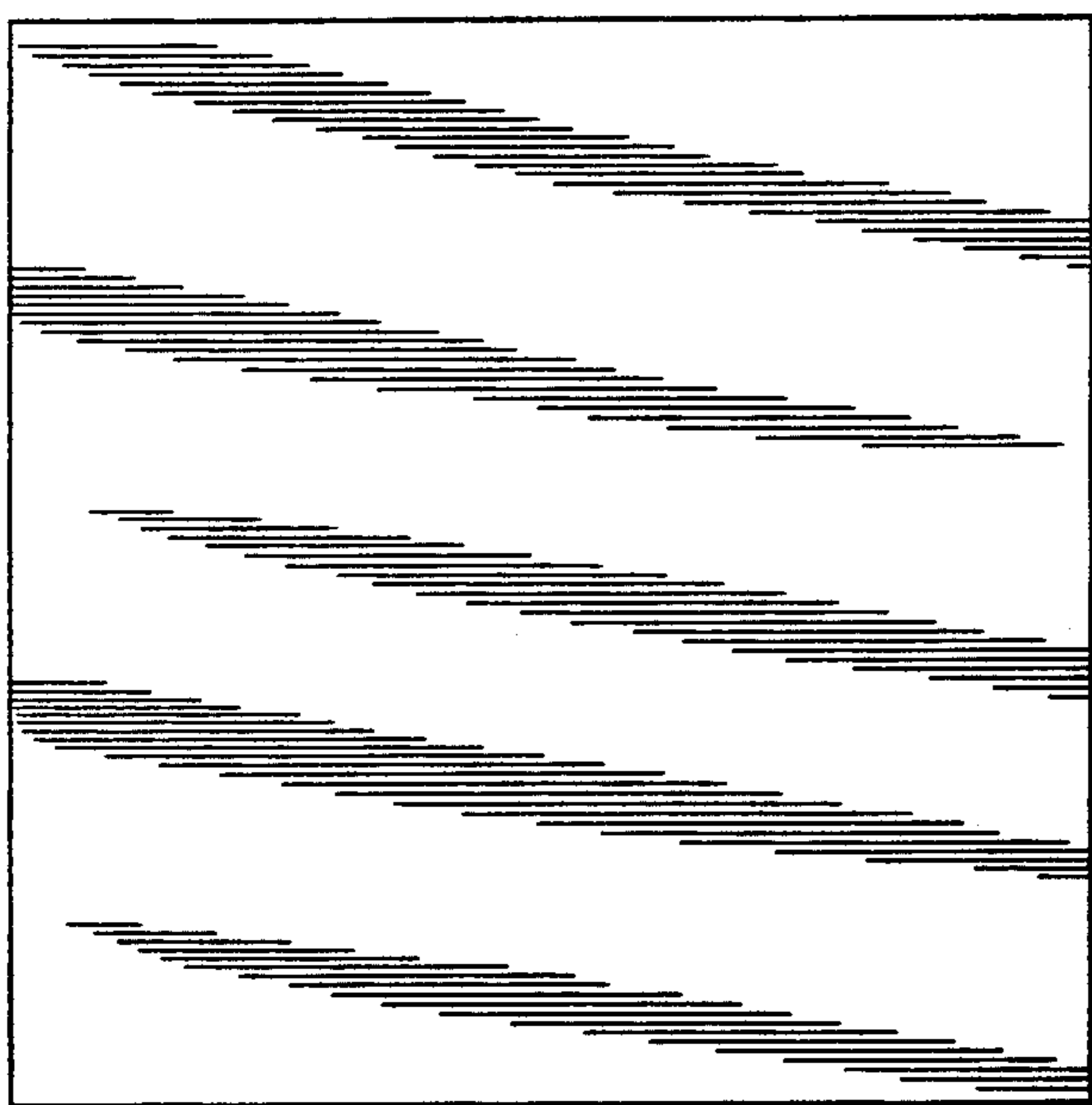




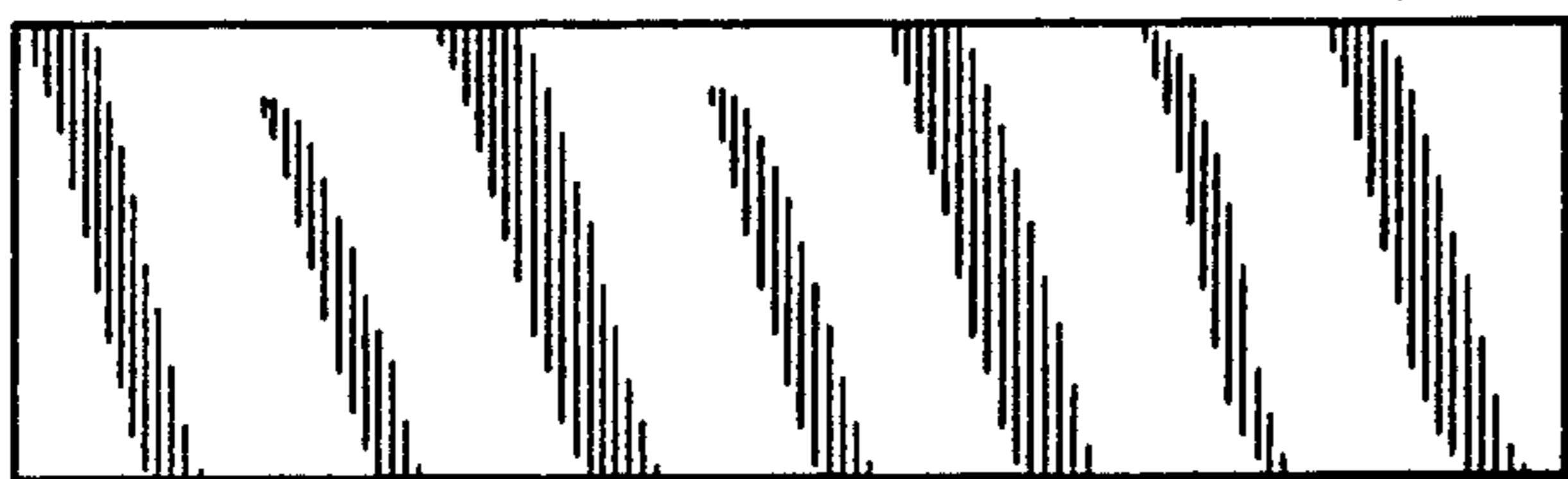
*FIG. 1*



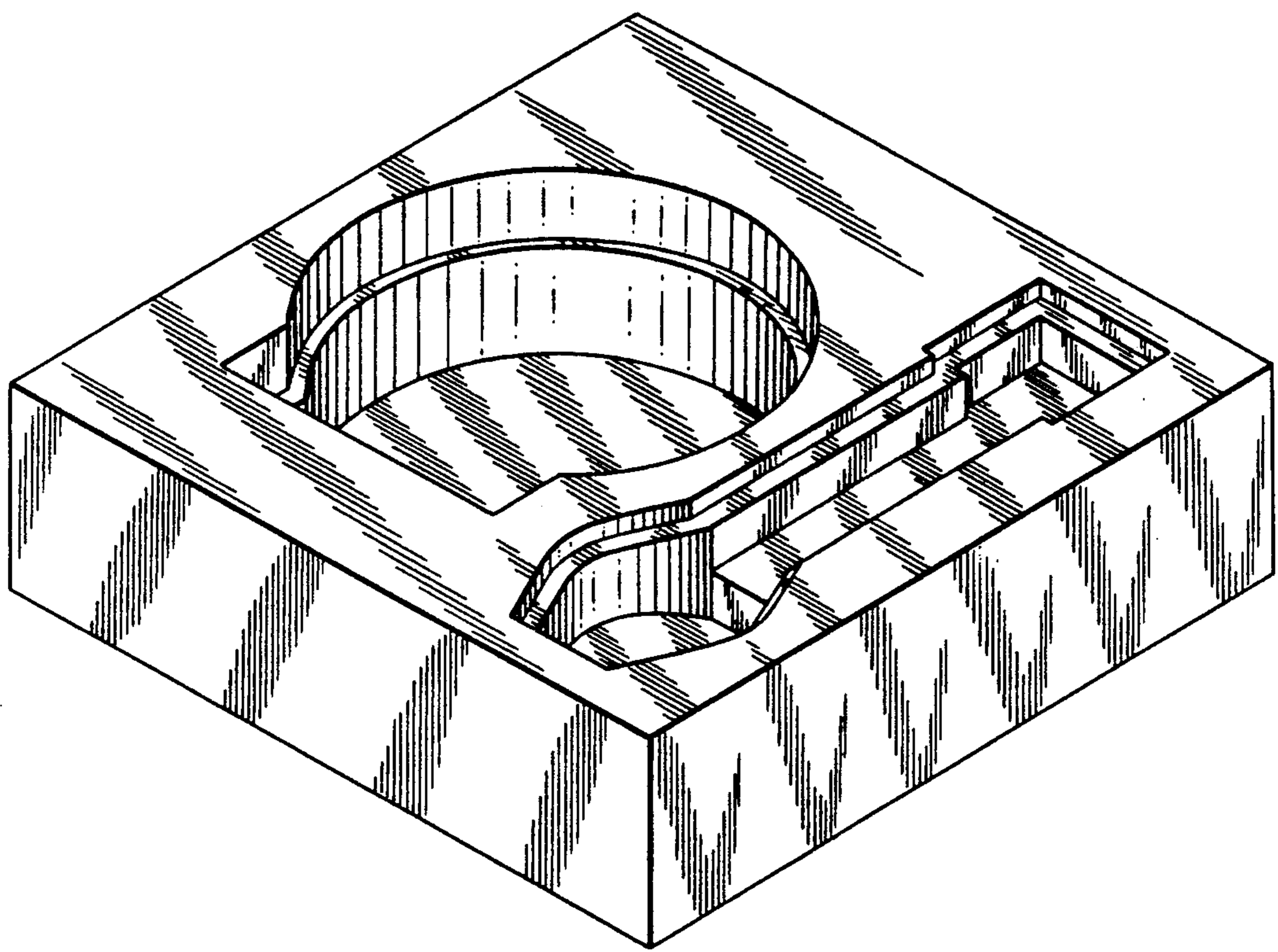
*FIG. 3*



*FIG. 2*



*FIG. 4*



**FIG. 5**