



US00D324649S

United States Patent [19]

Lederhaus, Jr.

[11] Patent Number: **Des. 324,649**

[45] Date of Patent: **** Mar. 17, 1992**

[54] THUMB TACK

[76] Inventor: **Earl H. Lederhaus, Jr.**, Northgate Estates Lot #34, New London, Wis. 54961

[**] Term: **14 Years**

[21] Appl. No.: **365,235**

[22] Filed: **Jun. 12, 1989**

[52] U.S. Cl. **D8/391**

[58] Field of Search **D8/388, 391; 411/439, 411/451, 455, 484, 487, 493, 497, 509, 510**

[56] References Cited

U.S. PATENT DOCUMENTS

170,190 11/1875 Pratt 411/510

FOREIGN PATENT DOCUMENTS

0425080 6/1948 Italy 411/510

OTHER PUBLICATIONS

Decorative Upholstery Nails & Furniture Glides; p. 21; Fastener (far left).

Decorative Upholstery Nails & Furniture Glides; p. 8; Nail #258.

Primary Examiner—B. J. Bullock

Attorney, Agent, or Firm—Jerry T. Kearns

[57] CLAIM

The ornamental design for a thumb tack, as shown and described.

DESCRIPTION

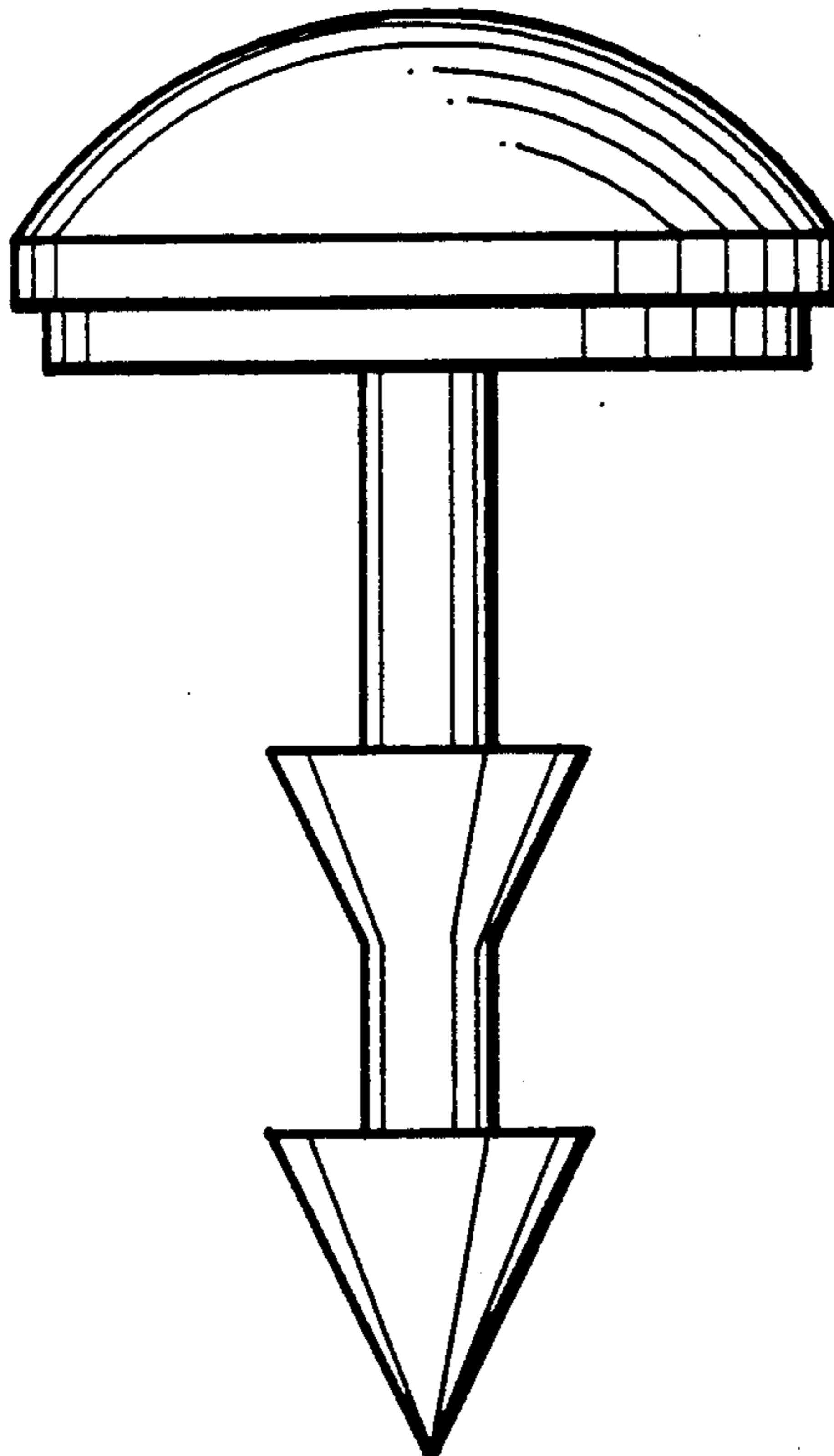
FIG. 1 is a front elevational view of a thumb tack showing my new design;

FIG. 2 is a rear elevational view thereof;

FIG. 3 is a top plan view thereof; and,

FIG. 4 is a bottom plan view thereof.

The left and right side elevational views are identical to the front and rear elevational views shown respectively in FIG. 1 and FIG. 2.



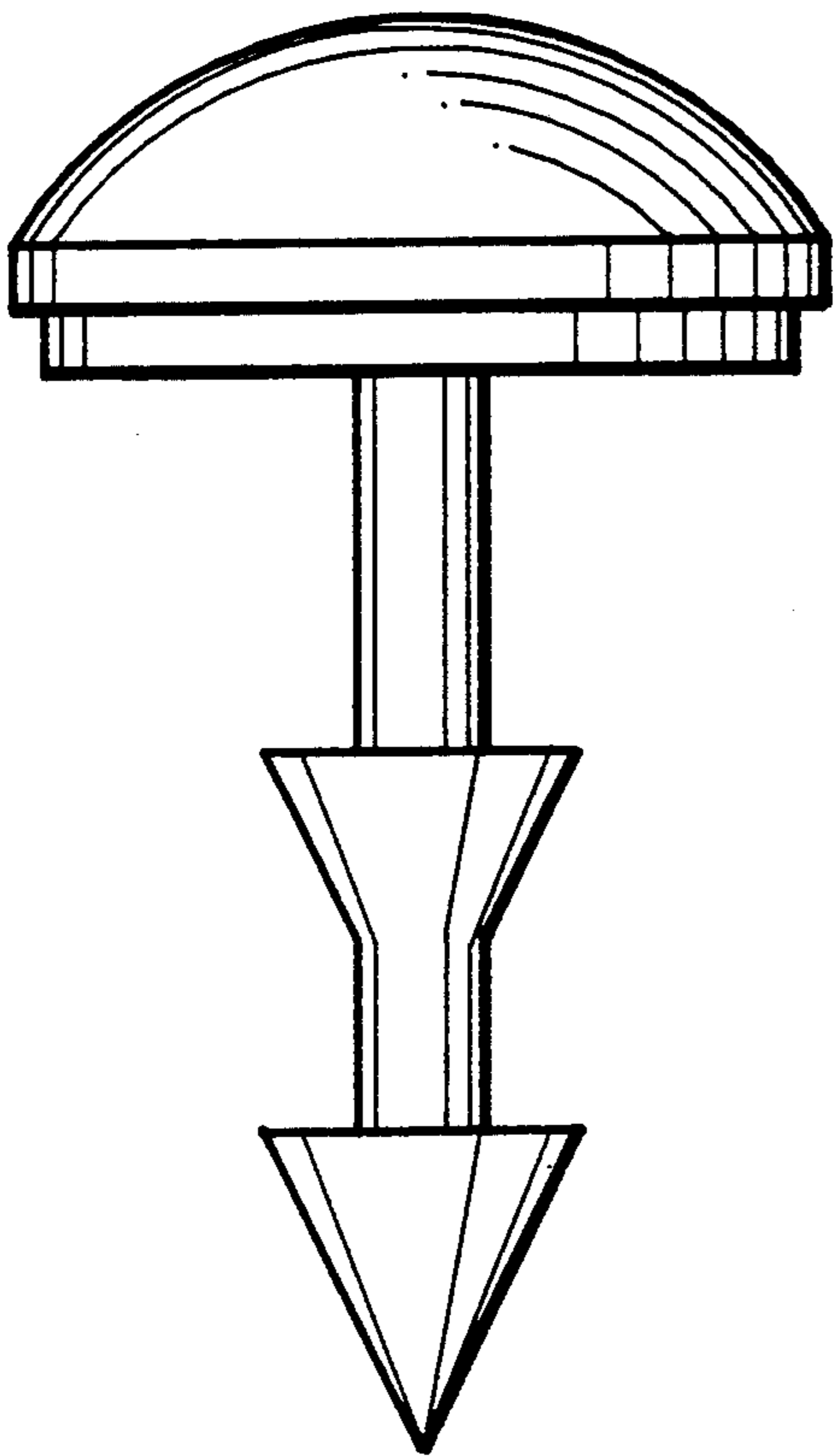


Fig. 1

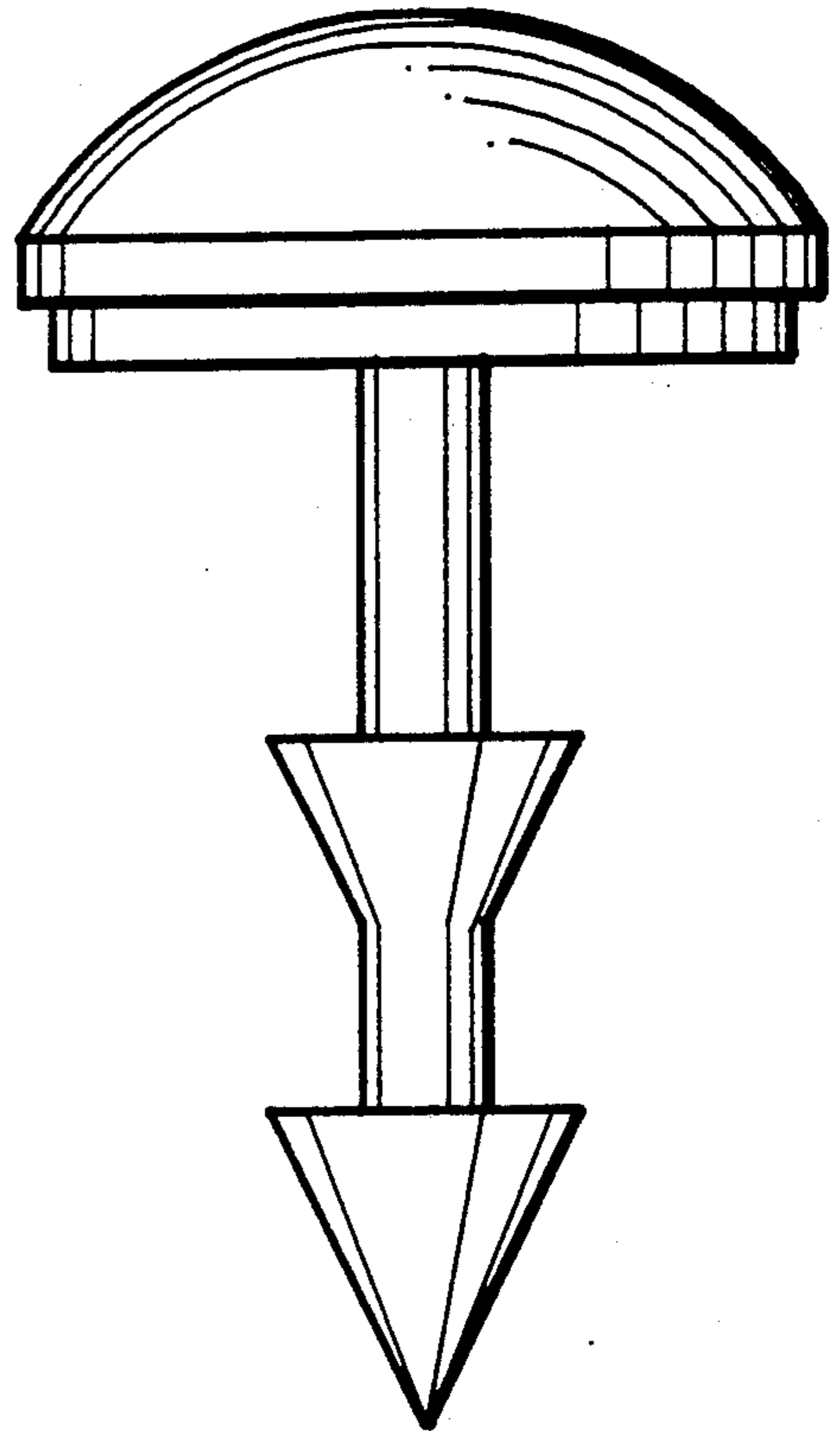


Fig. 2

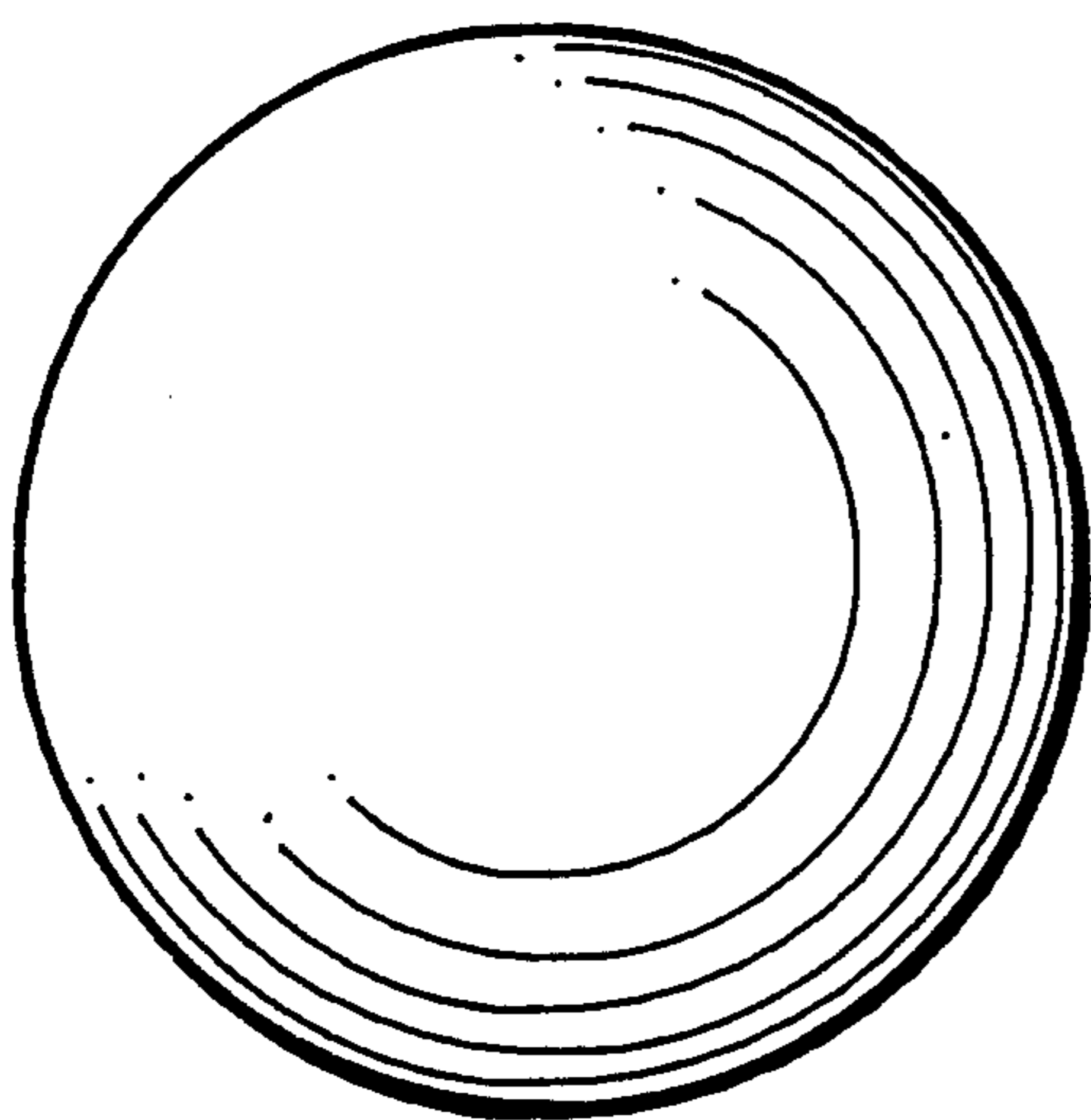


Fig. 3

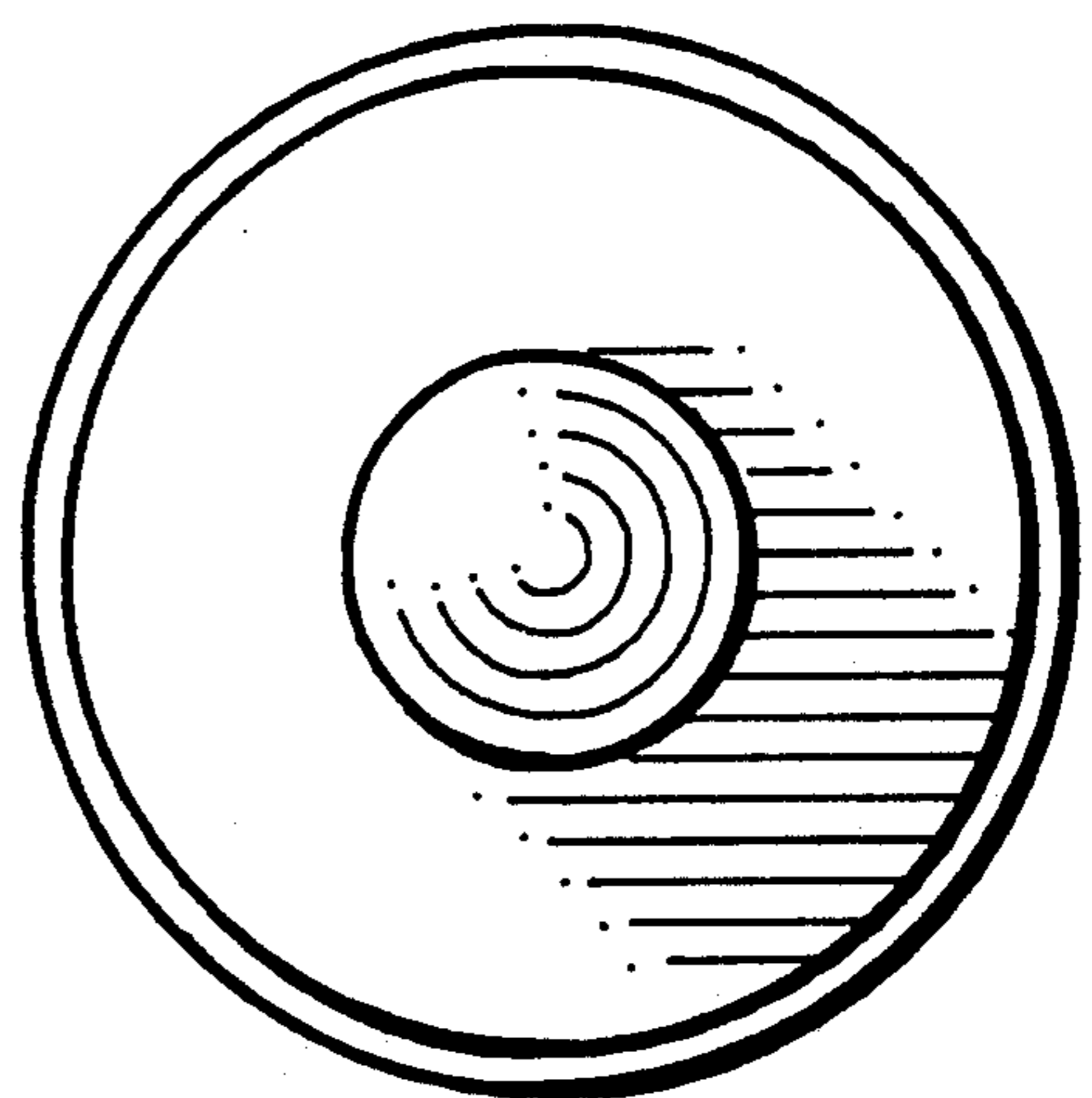


Fig. 4