



US00D324647S

United States Patent [19]

Slocomb, Jr.

[11] Patent Number: **Des. 324,647**

[45] Date of Patent: **** Mar. 17, 1992**

[54] WINDOW CORNER KEY

[75] Inventor: **Leon F. Slocomb, Jr.**, Wilmington, Del.

[73] Assignee: **Slocomb Industries**, Wilmington, Del.

[*] Notice: The portion of the term of this patent subsequent to Mar. 17, 2006 has been disclaimed.

[**] Term: **14 Years**

[21] Appl. No.: **398,471**

[22] Filed: **Aug. 25, 1989**

[52] U.S. Cl. **D8/382**

[58] Field of Search **D8/382, 394, 395, 499; 49/504; 403/170, 171, 205, 217, 286, 287, 292, 294, 295, 403, 405.1**

[56] **References Cited**

U.S. PATENT DOCUMENTS

3,896,589	7/1975	Mitchell	49/504
4,040,755	8/1977	Jorgensen et al.	403/205
4,356,648	11/1982	Beaulieu	403/405.1
4,555,869	12/1985	Kenkel	49/504

Primary Examiner—Bernard Ansher

Assistant Examiner—R. Barkai

Attorney, Agent, or Firm—Connolly & Hutz

[57] **CLAIM**

The ornamental design for a window corner key, as shown and described.

DESCRIPTION

FIG. 1 is a front elevation view of a window corner key showing my new design;
FIG. 2 is a side elevation view thereof;
FIG. 3 is a rear elevation view thereof;
FIG. 4 is a top plan view thereof;
FIG. 5 is a bottom plan view thereof; and
FIG. 6 is a cross-sectional view taken through FIG. 1 along the line 6—6.

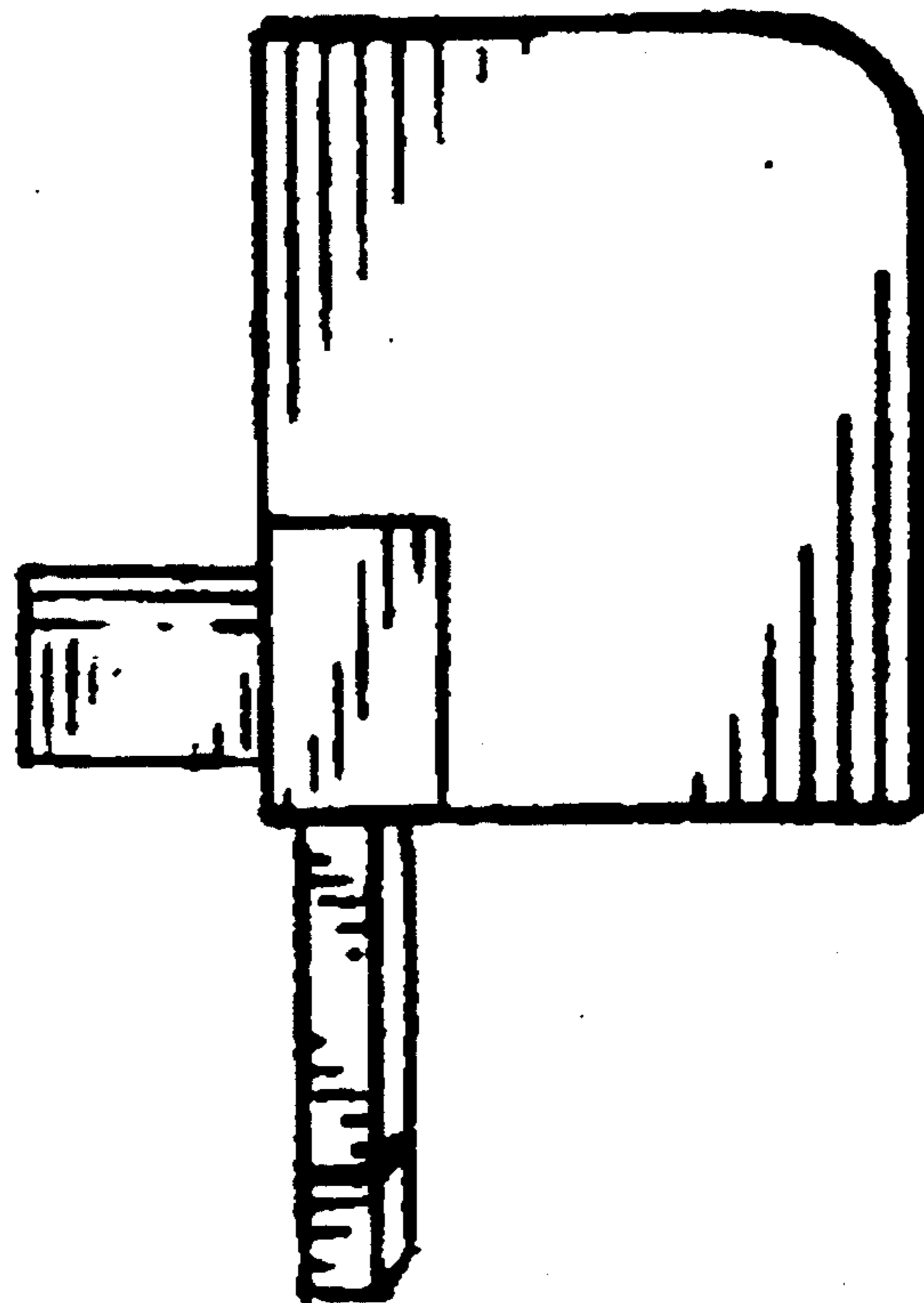


Fig. 4.

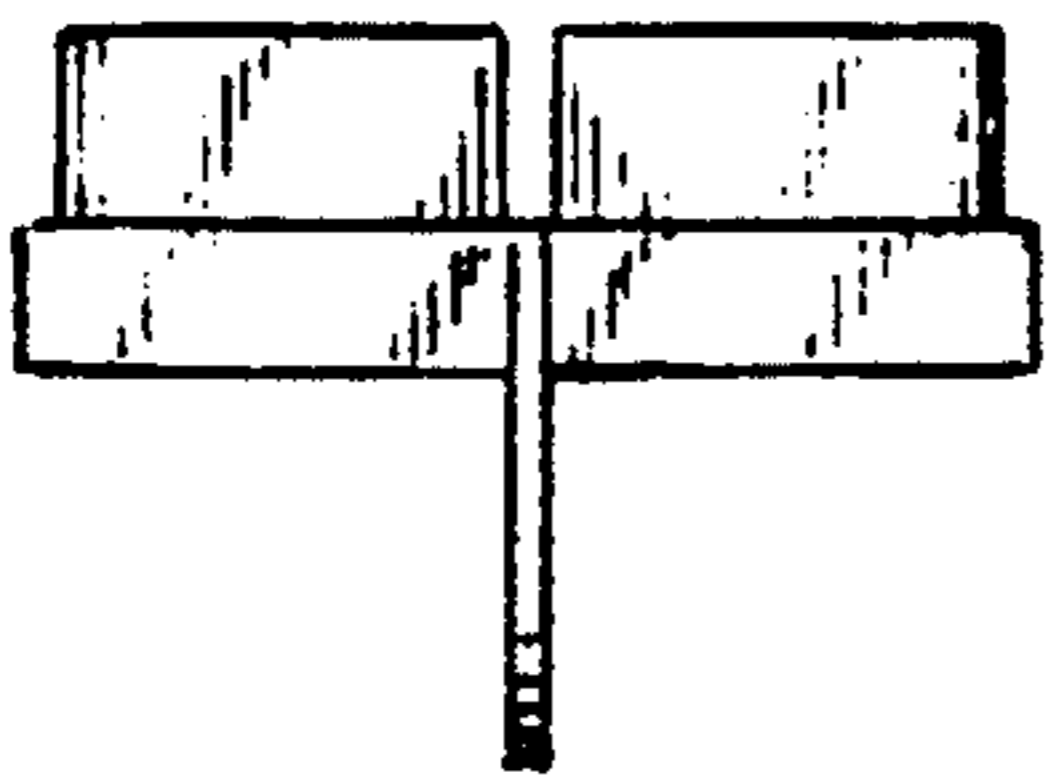


Fig. 1.

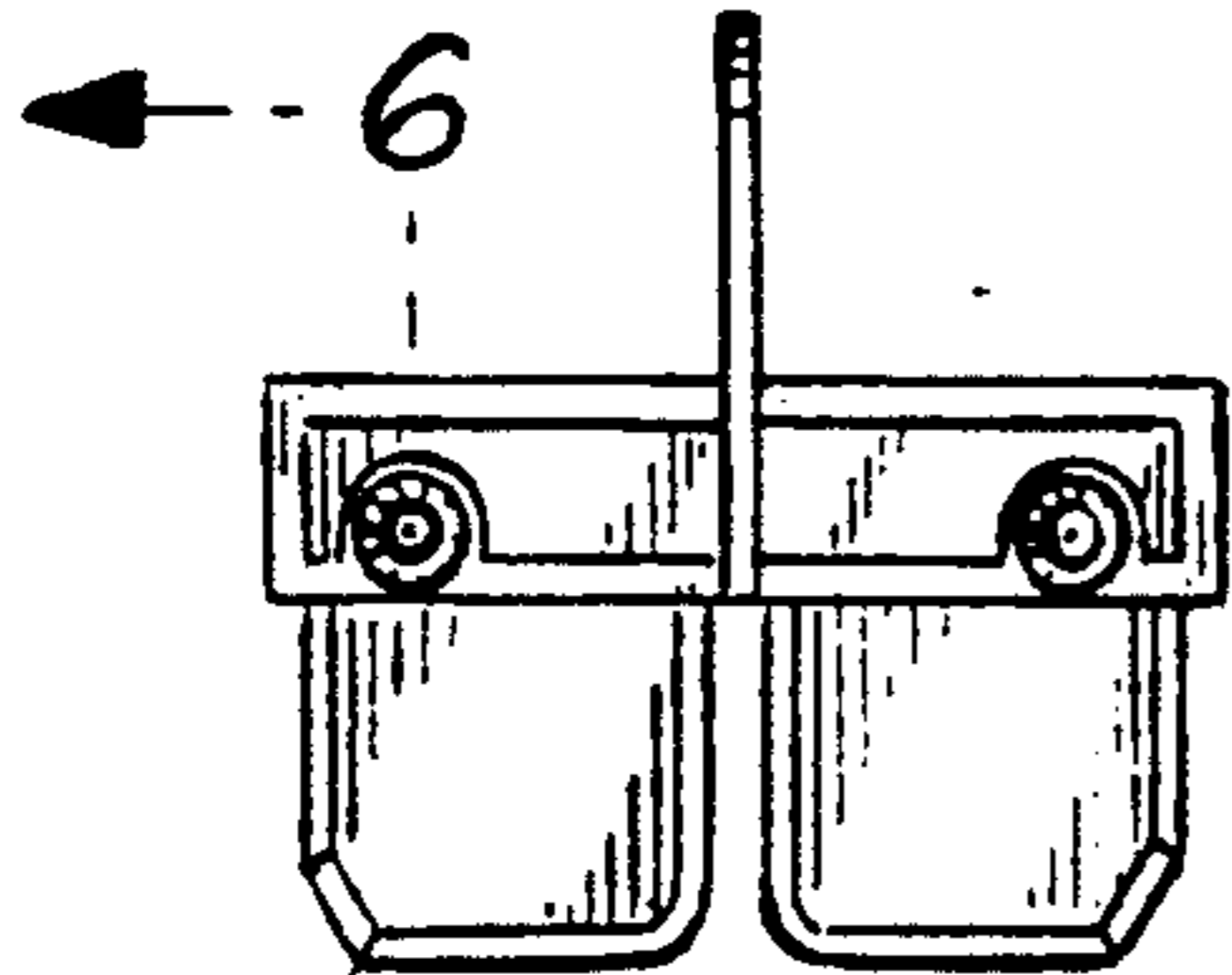


Fig. 2. *Fig. 3.*

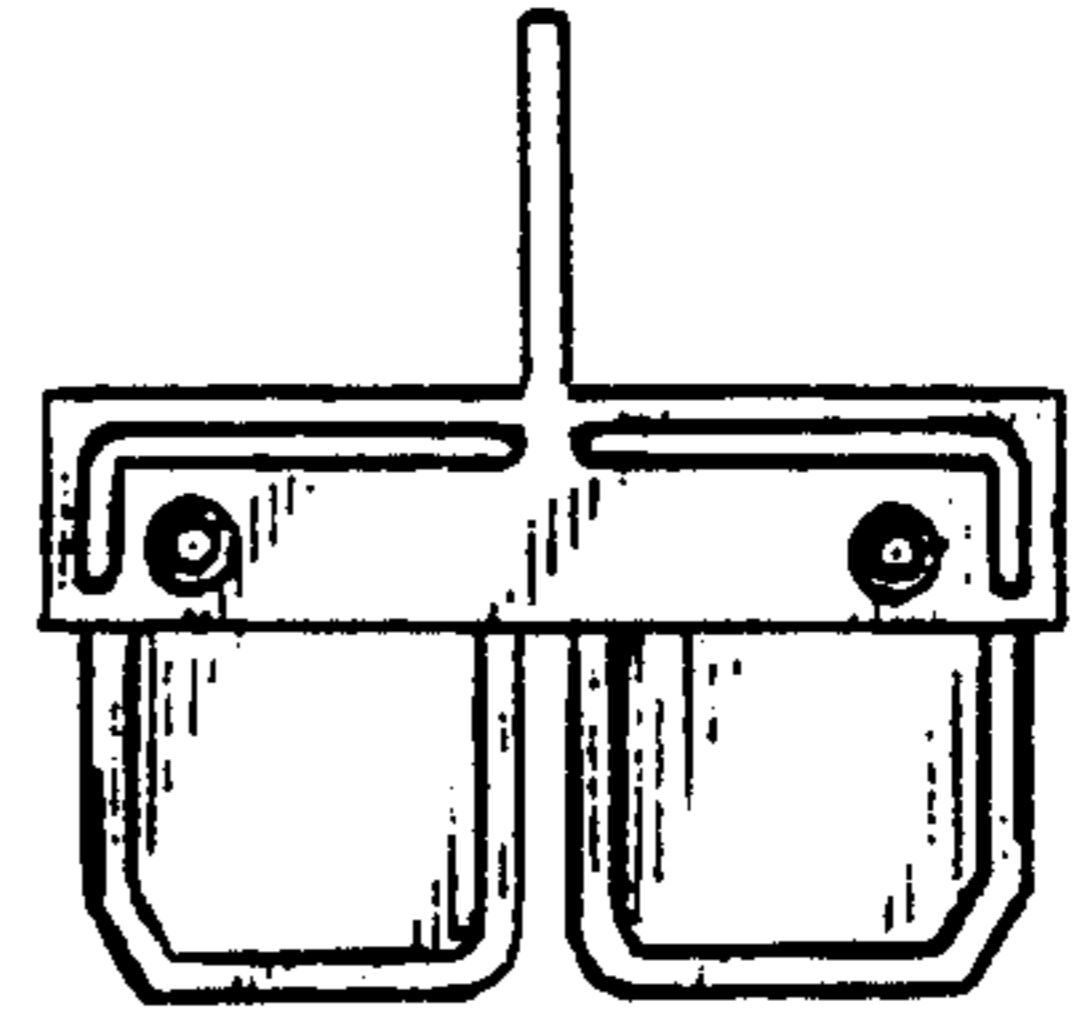
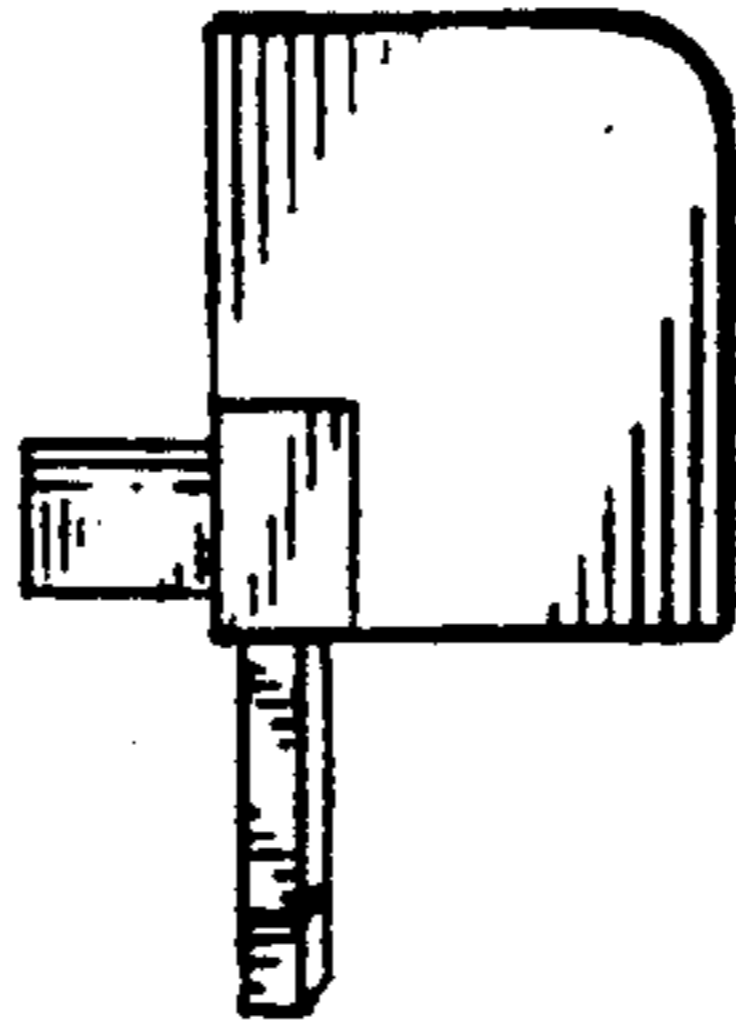


Fig. 5.

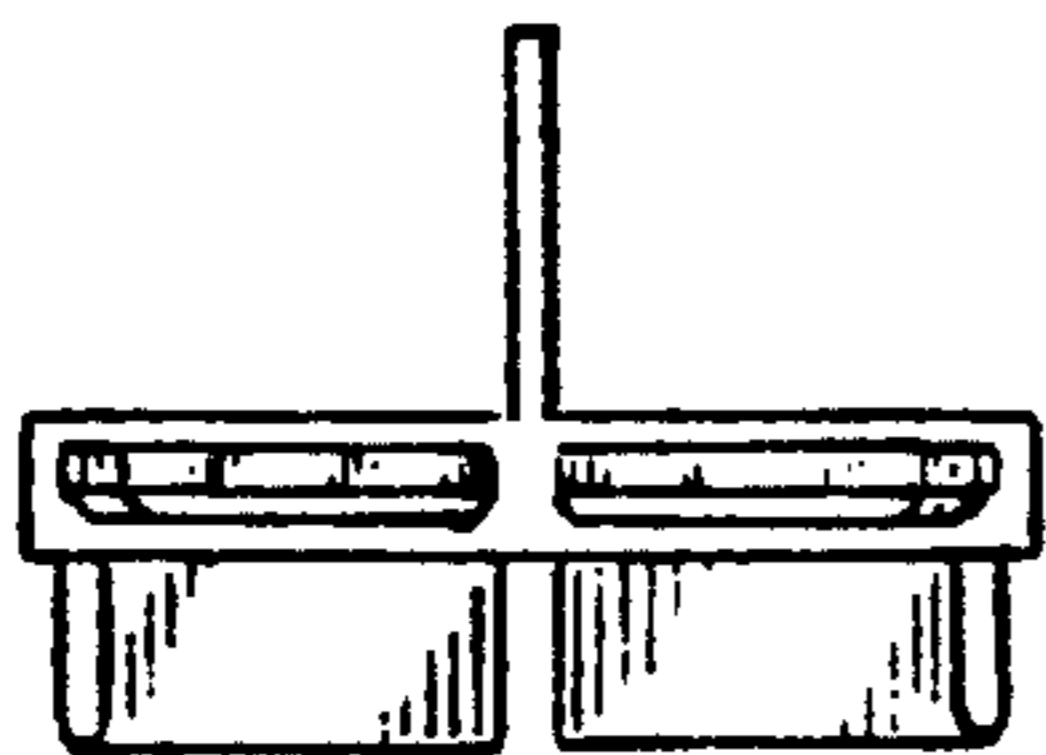


Fig. 6.

