



US00D324646S

United States Patent [19]
Slocomb, Jr.

[11] **Patent Number: Des. 324,646**
[45] **Date of Patent: ** Mar. 17, 1992**

[54] **WINDOW CORNER KEY**

[75] **Inventor: Leon F. Slocomb, Jr., Wilmington, Del.**

[73] **Assignee: Slocomb Industries, Inc., Wilmington, Del.**

[*] **Notice: The portion of the term of this patent subsequent to Mar. 17, 2006 has been disclaimed.**

[**] **Term: 14 Years**

[21] **Appl. No.: 395,816**

[22] **Filed: Aug. 18, 1989**

[52] **U.S. Cl. D8/382**

[58] **Field of Search D8/382, 394, 395, 499; 49/504; 403/170, 171, 217, 205, 286, 287, 292, 294, 295, 403, 405.1**

[56] **References Cited**

U.S. PATENT DOCUMENTS

3,896,589	7/1975	Mitchell	49/504
4,040,755	8/1977	Jorgensen et al.	403/205
4,356,648	11/1982	Beaulieu	403/405.1
4,555,869	12/1985	Kenkel	49/504

Primary Examiner—Bernard Ansher
Assistant Examiner—R. Barkai
Attorney, Agent, or Firm—Connolly & Hutz

[57] **CLAIM**

The ornamental design for a window corner key, as shown and described.

DESCRIPTION

FIG. 1 is a front elevation view of a window corner key showing my new design;
FIG. 2 is a side elevation view thereof;
FIG. 3 is a rear elevation view thereof;
FIG. 4 is a top plan view thereof;
FIG. 5 is a bottom plan view thereof; and
FIG. 6 is a cross-sectional view taken through FIG. 3 along the line 6—6.

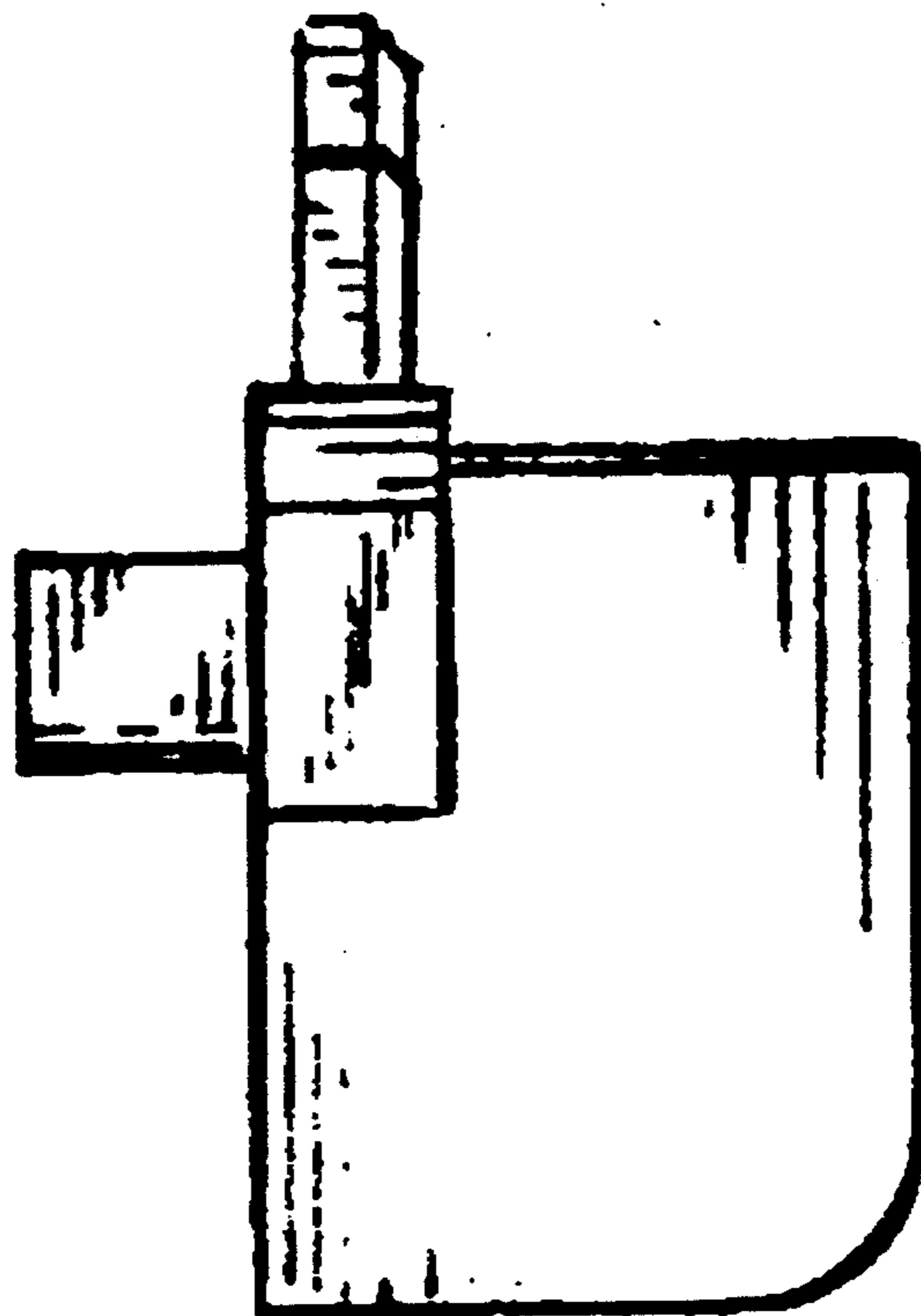


Fig. 4.

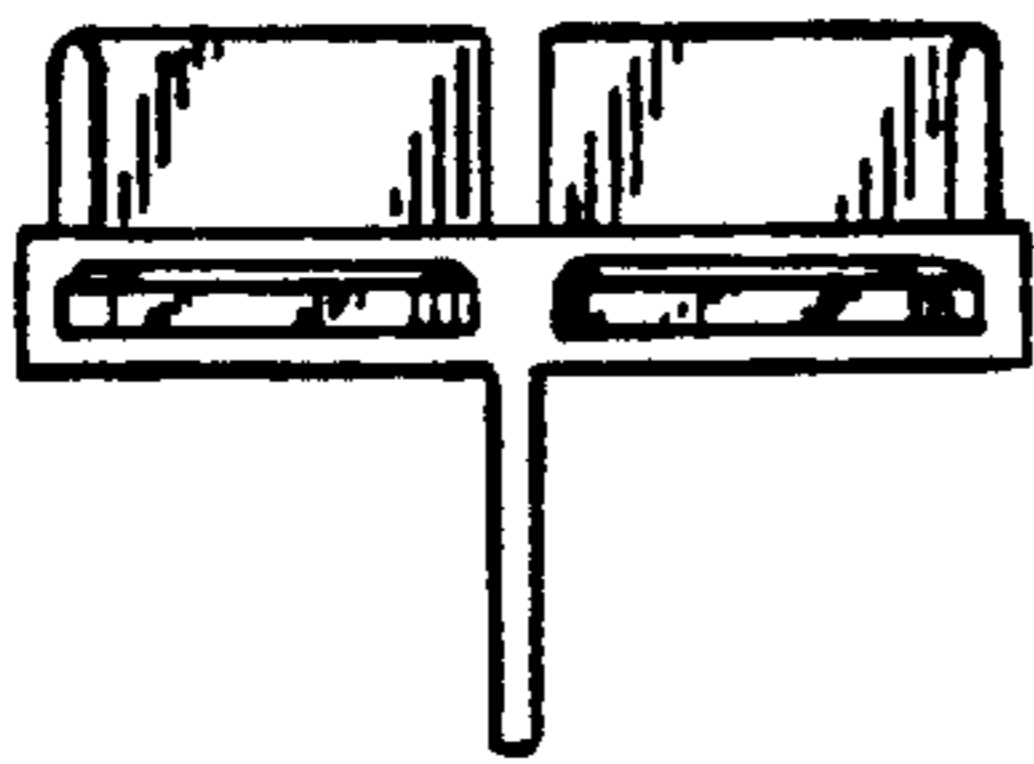


Fig. 1.

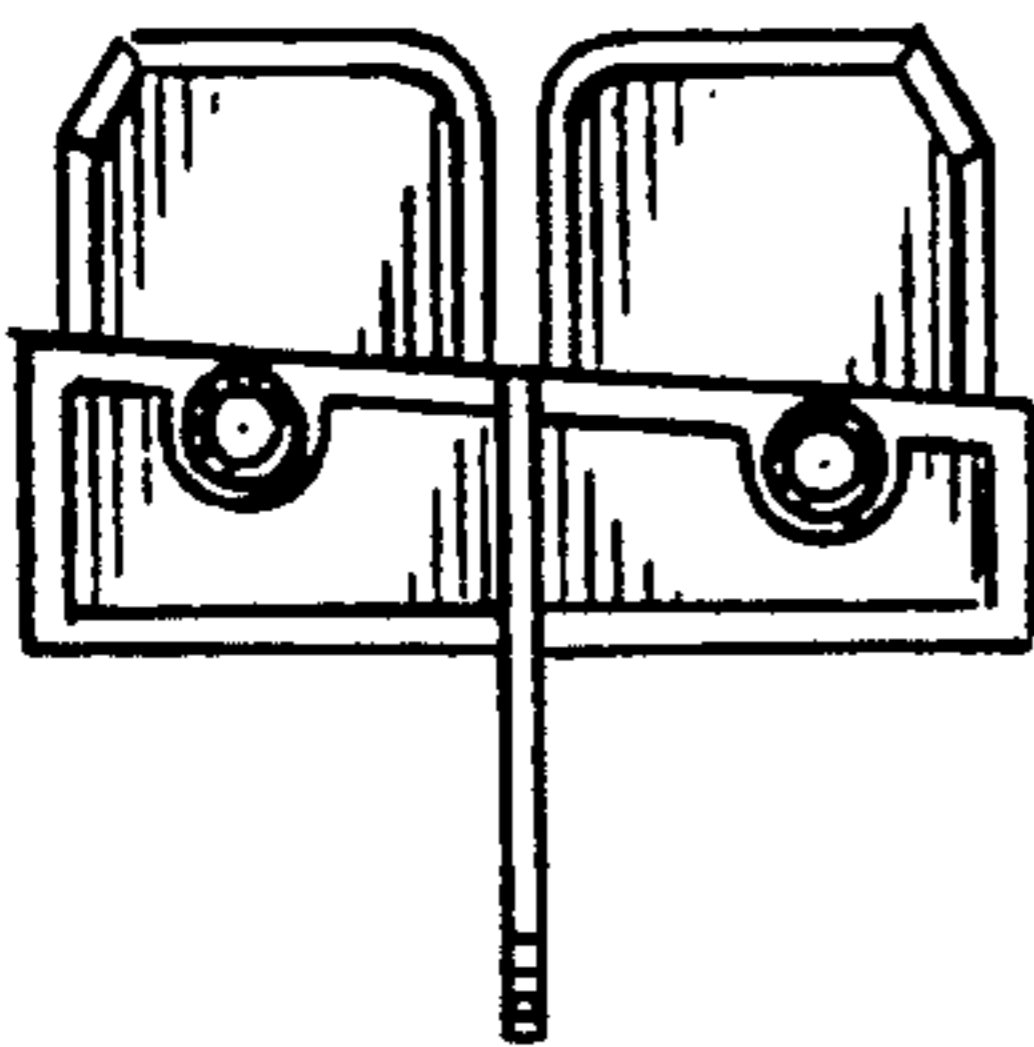


Fig. 2.

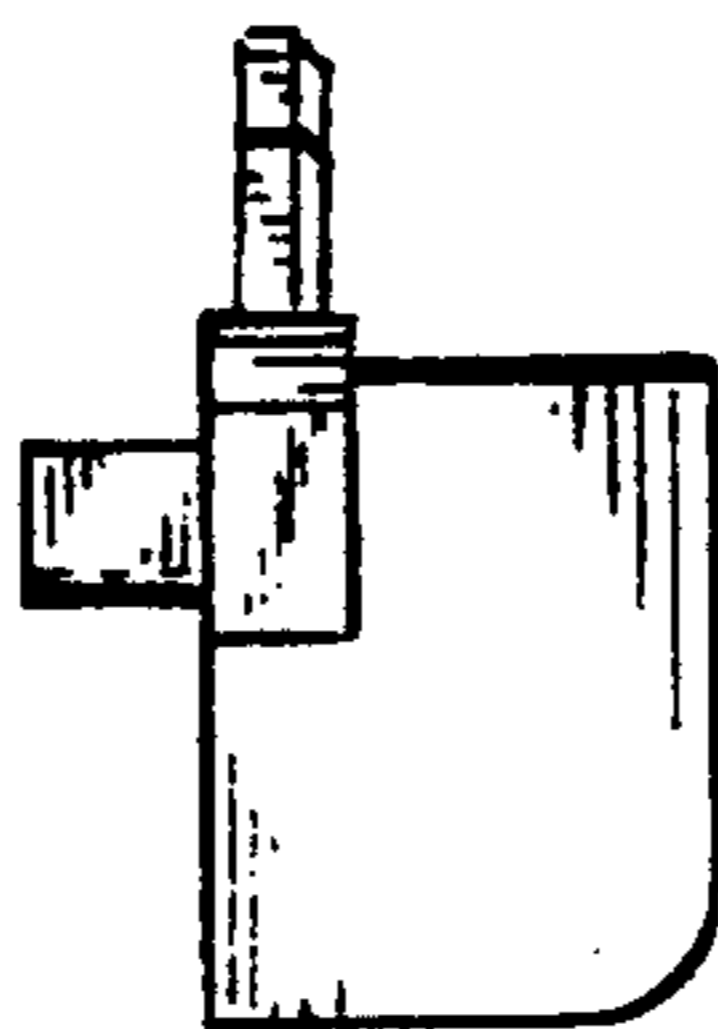


Fig. 3.

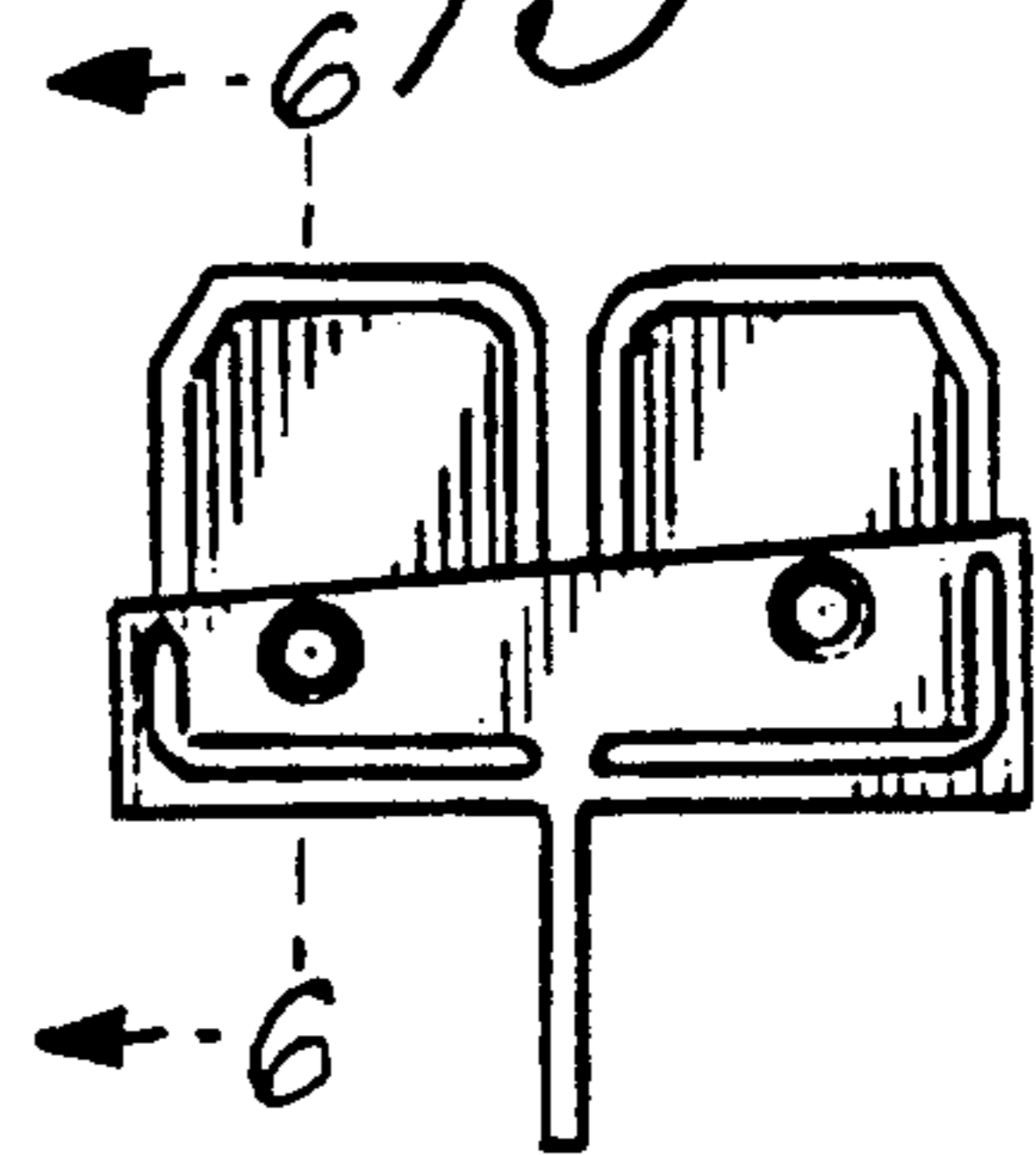


Fig. 5.

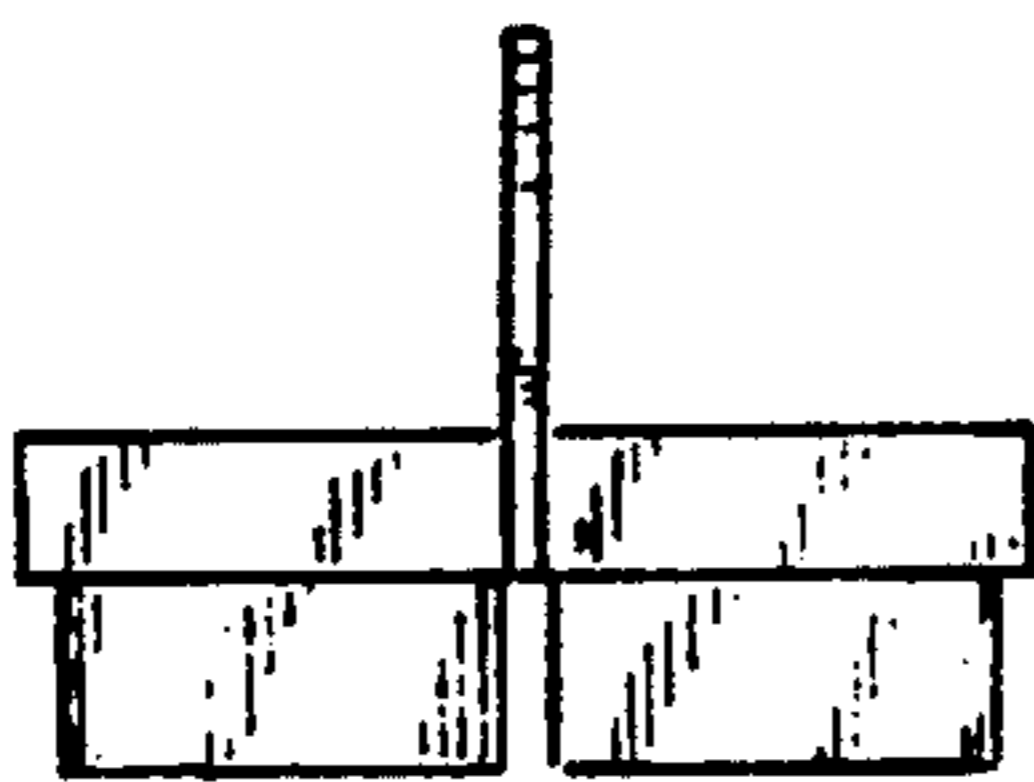


Fig. 6.

