



US00D324645S

United States Patent [19]

[11] Patent Number: **Des. 324,645**

Magro et al.

[45] Date of Patent: **** Mar. 17, 1992**

[54] **ROLLER SUPPORT FOR ROLLING DOORS, GATES OR THE LIKE**

[76] Inventors: **Sebastian Magro, Meadow Dr. North; Vincent Magro, Melvern La., both of Stonybrook, N.Y. 11790**

[**] Term: **14 Years**

[21] Appl. No.: **435,783**

[22] Filed: **Nov. 13, 1989**

[52] U.S. Cl. **D8/380; D8/377; D8/354; D25/122**

[58] Field of Search **160/133, 315; D25/119, D25/125, 38, 44, 48, 122; 16/96 R; D8/354, 380, 377**

D. 257,503	11/1980	McKee	D25/122 X
D. 258,279	2/1981	Moore	D25/119 X
748,641	1/1904	Newell	160/133
909,027	1/1909	Sanders	D25/122 X
2,349,702	5/1944	Campion	160/133
2,520,618	8/1950	Winter	160/315
3,732,913	5/1973	Wrono	160/133
3,734,161	5/1973	Pierce	160/133
4,611,848	9/1986	Romano	296/98
4,738,296	4/1988	Hatch	160/133

Primary Examiner—Wallace R. Burke
Assistant Examiner—H. Baynham
Attorney, Agent, or Firm—Goodman & Teitelbaum

[57] CLAIM

The ornamental design for a roller support for rolling doors, gates or the like, as shown.

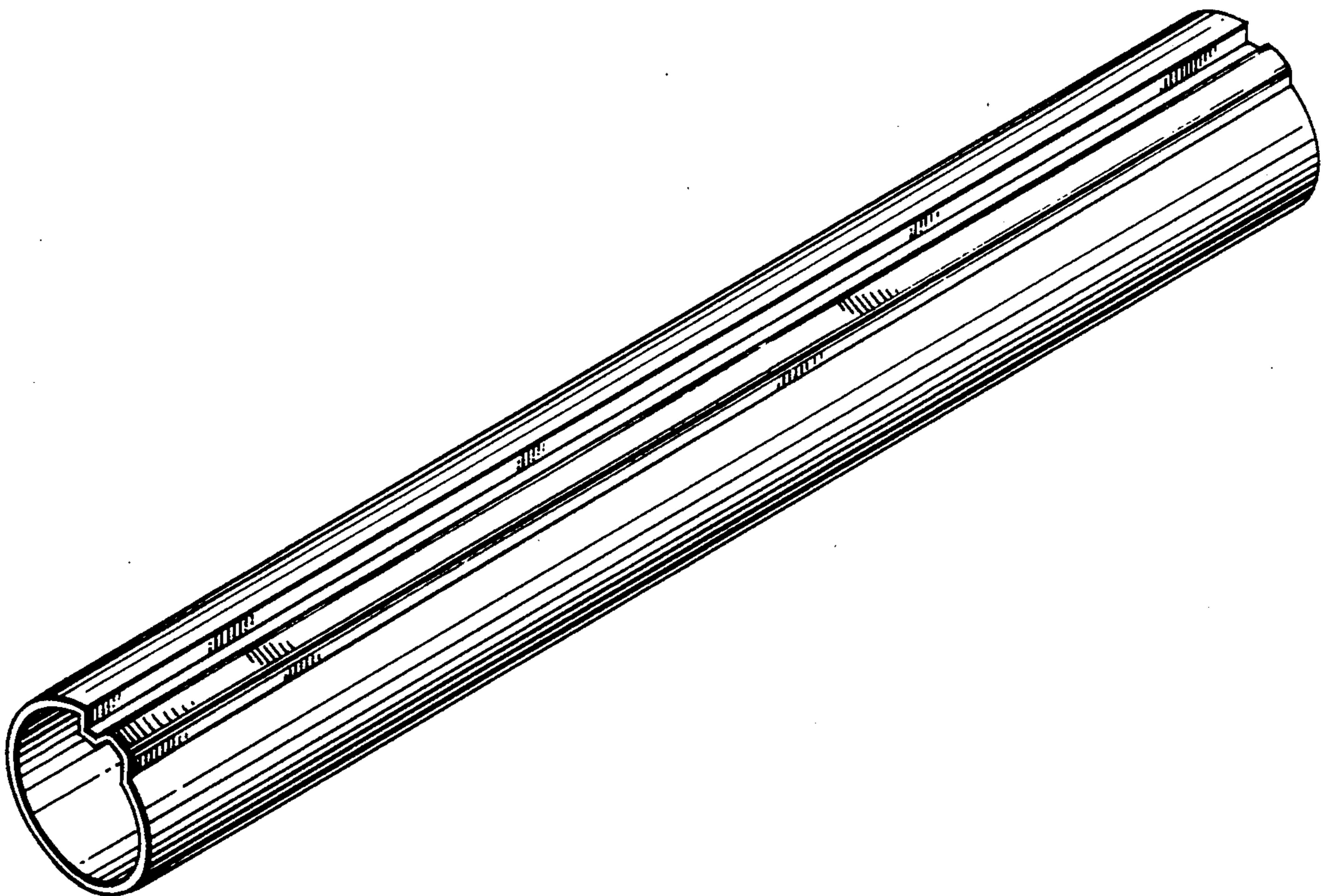
DESCRIPTION

FIG. 1 is a top perspective view of a roller support for rolling doors, gates or the like showing our new design; FIG. 2 is a rear perspective view thereof; and FIG. 3 is a left side elevational view thereof with the right side being a mirror image thereof.

[56] References Cited

U.S. PATENT DOCUMENTS

26,561	1/1897	Shaw	D8/499 X
D. 96,508	8/1935	Rosenburgh	D23/266
D. 234,756	4/1975	Bergstrom	D25/122 X
D. 244,942	7/1977	Bobrovniczky	D25/120



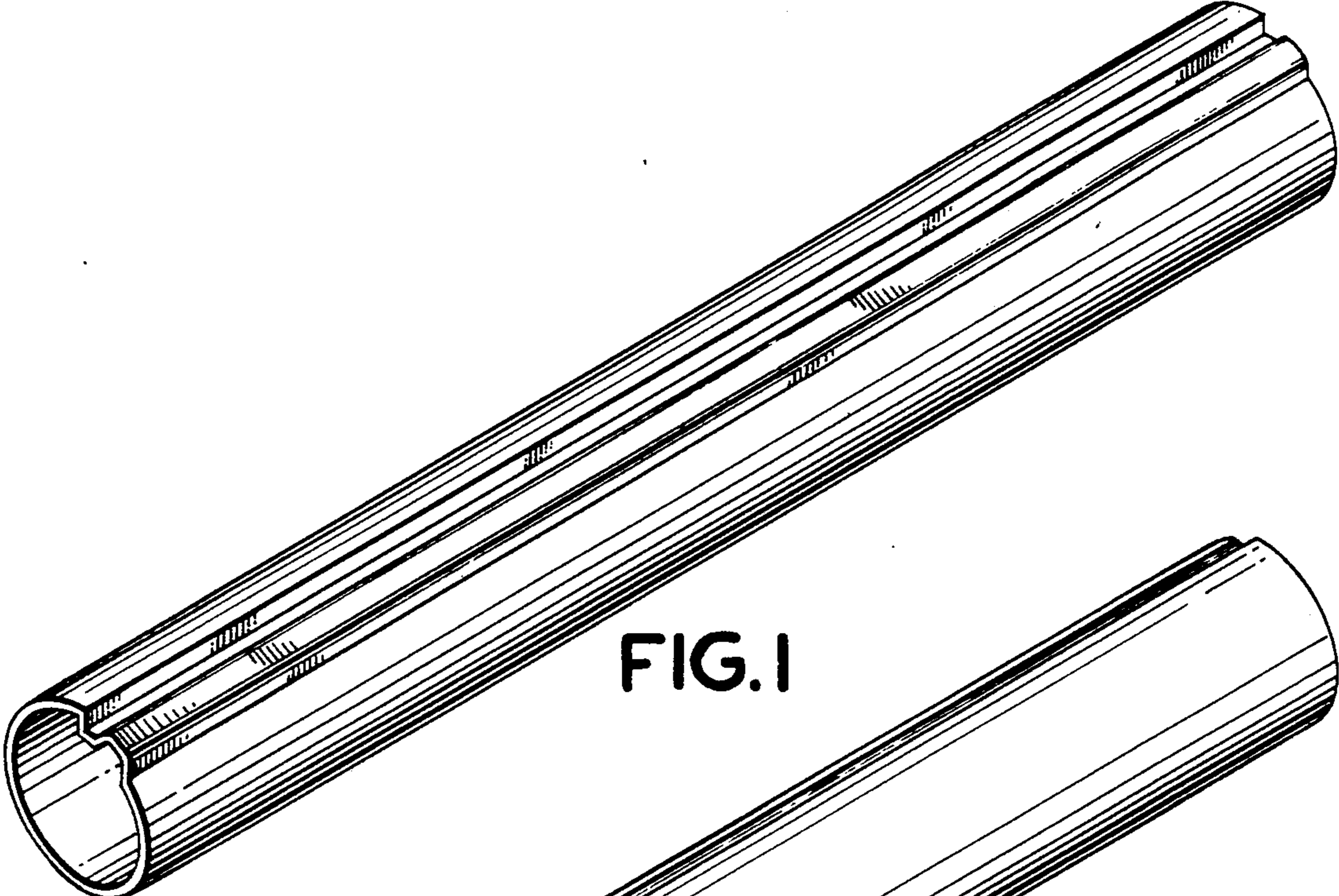


FIG. 1

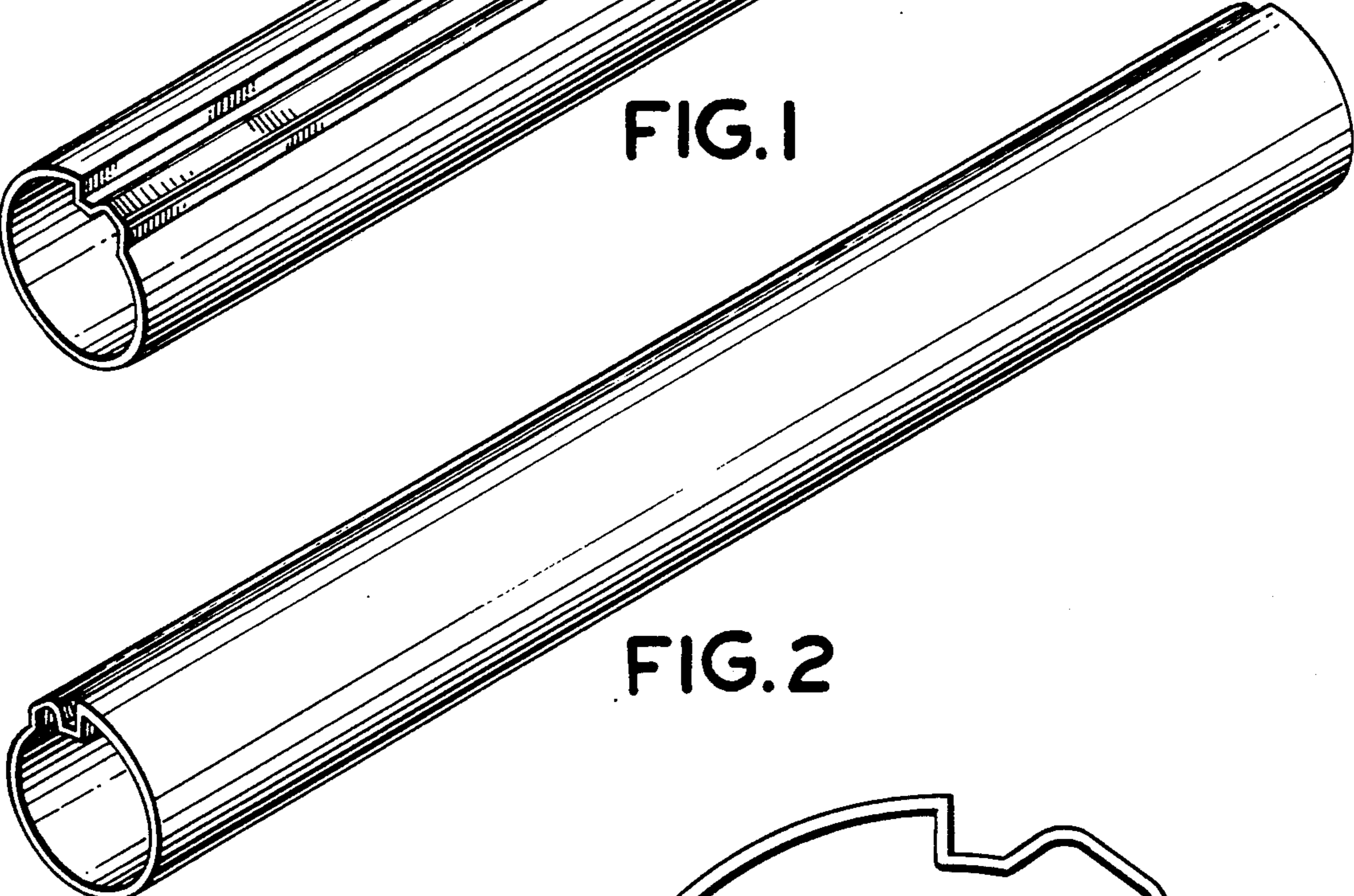


FIG. 2

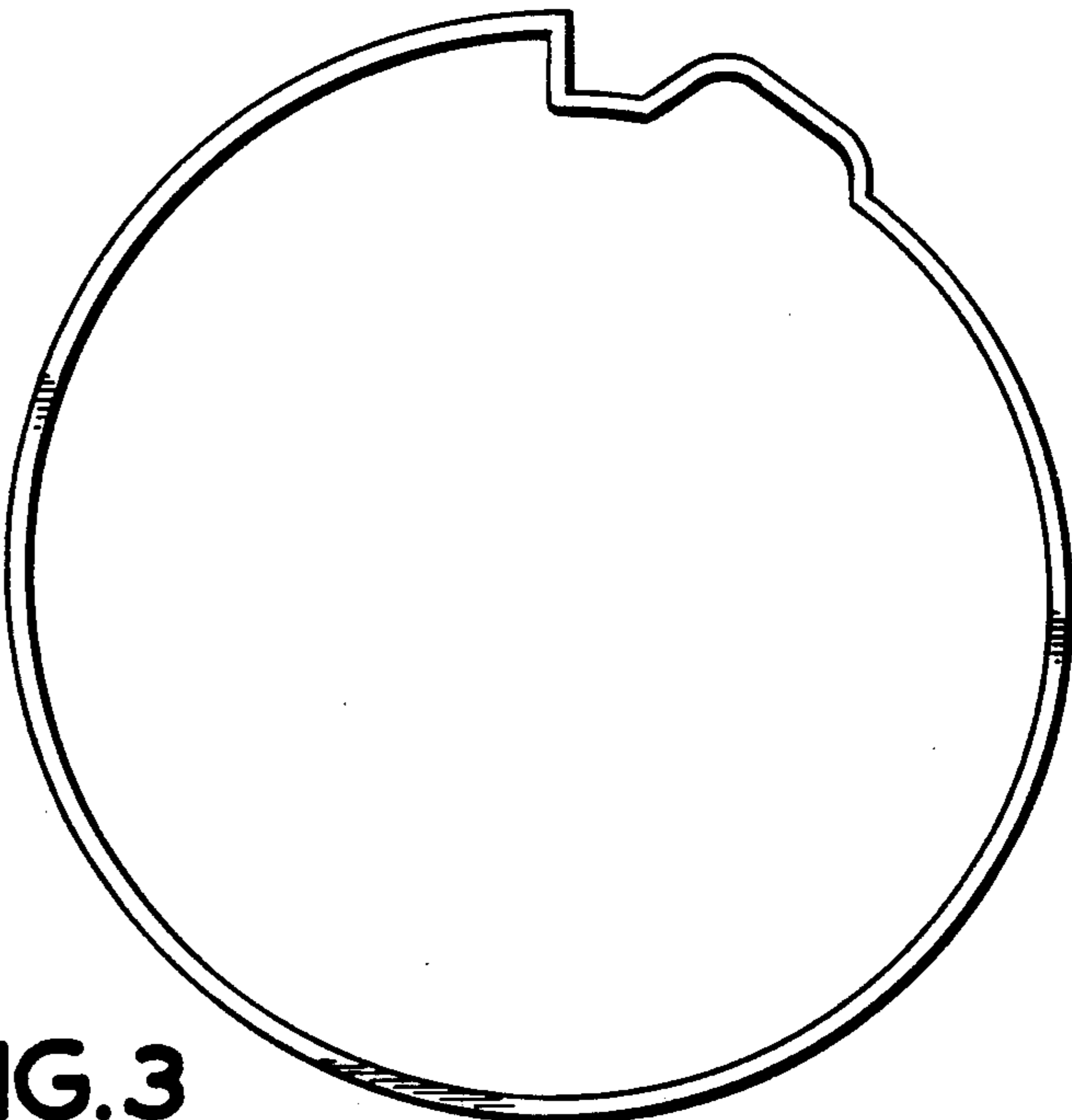


FIG. 3