



US00D324643S

United States Patent [19]

[11] Patent Number: **Des. 324,643**

Turek et al.

[45] Date of Patent: **** Mar. 17, 1992**

[54] **REBAR AND BEAM HIGHCHAIR**

[75] Inventors: **James N. Turek; Robert C. Sims; Richard M. Sims**, all of Lexington, Ky.

[73] Assignee: **International Plastics, Inc.**, Lexington, Ky.

[**] Term: **14 Years**

[21] Appl. No.: **441,441**

[22] Filed: **Nov. 27, 1989**

[52] U.S. Cl. **D8/356**

[58] Field of Search **D8/354, 384, 356; 52/677-697, 378; 249/120**

[56] **References Cited**

U.S. PATENT DOCUMENTS

- D. 240,708 7/1976 Ilukowicz D8/356
- D. 271,846 12/1983 Hernandez D8/356
- D. 271,847 12/1983 Hernandez D8/356

- 3,387,423 6/1968 Anderson 52/678
- 4,060,954 12/1977 Liuzza 52/677
- 4,498,270 2/1985 Ilukowicz 52/686 X
- 4,682,461 7/1987 Sizemore 52/677 X

Primary Examiner—Wallace R. Burke
Assistant Examiner—H. Baynham
Attorney, Agent, or Firm—King & Schickli

[57] **CLAIM**

The ornamental design for a rebar and beam highchair, as shown and described.

DESCRIPTION

FIG. 1 is a top front perspective view of the rebar and beam highchair showing our new design; FIG. 2 is a front elevational view thereof with the rear, being a mirror image thereof; FIG. 3 is a side elevational view thereof with the opposite side being a mirror image thereof; FIG. 4 is a top plan view thereof; and FIG. 5 is a bottom plan view thereof.

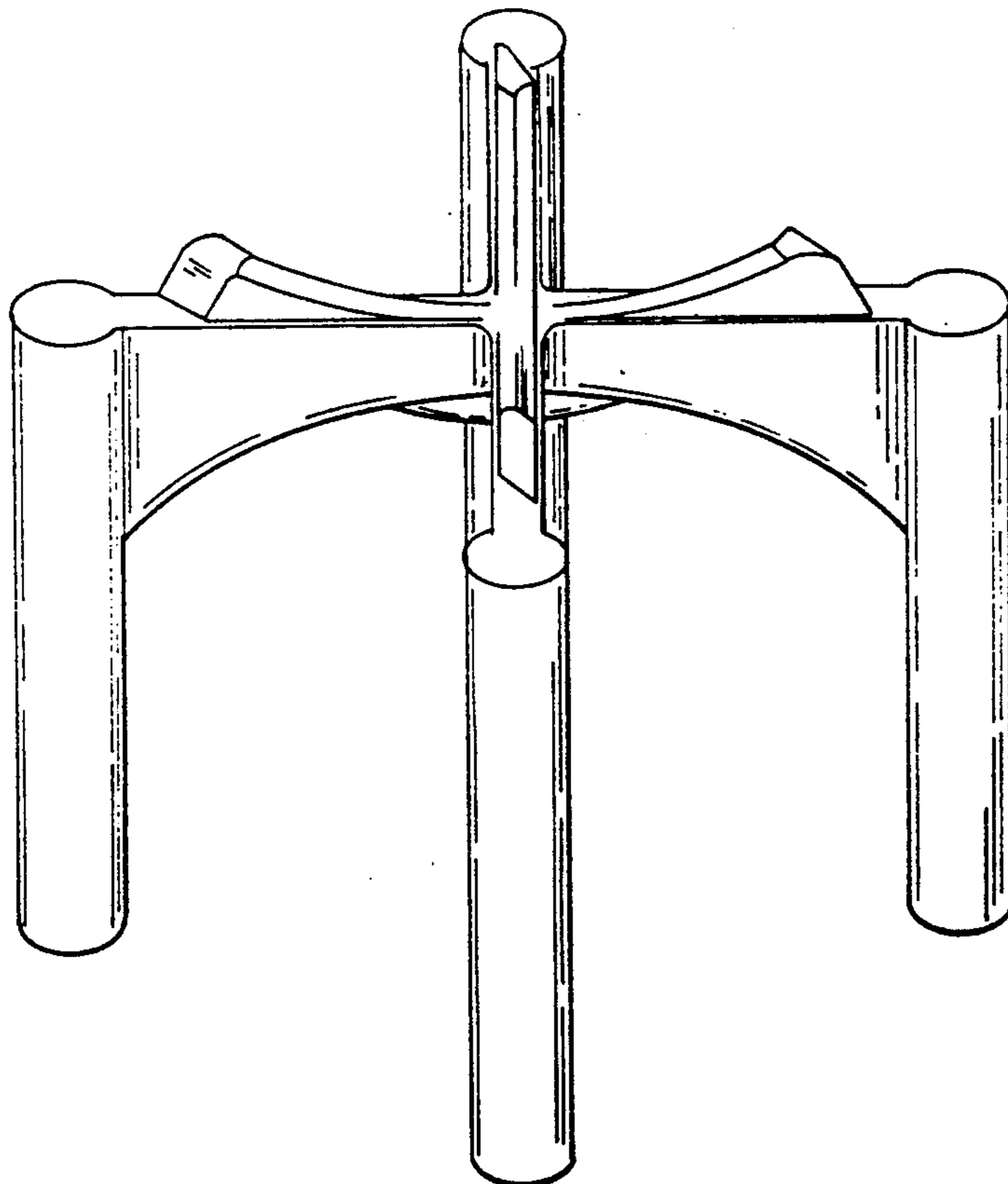


Fig. 1

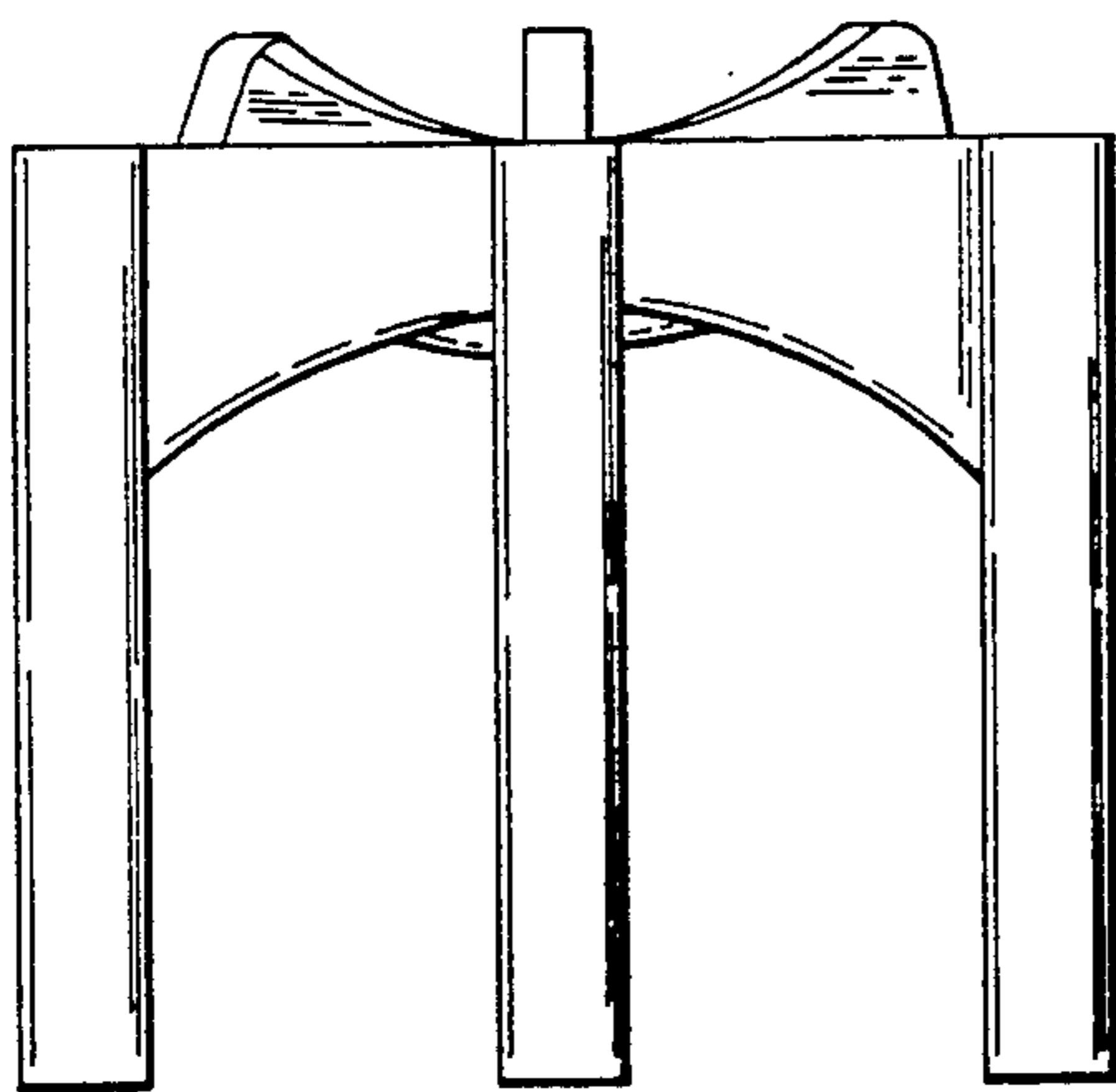
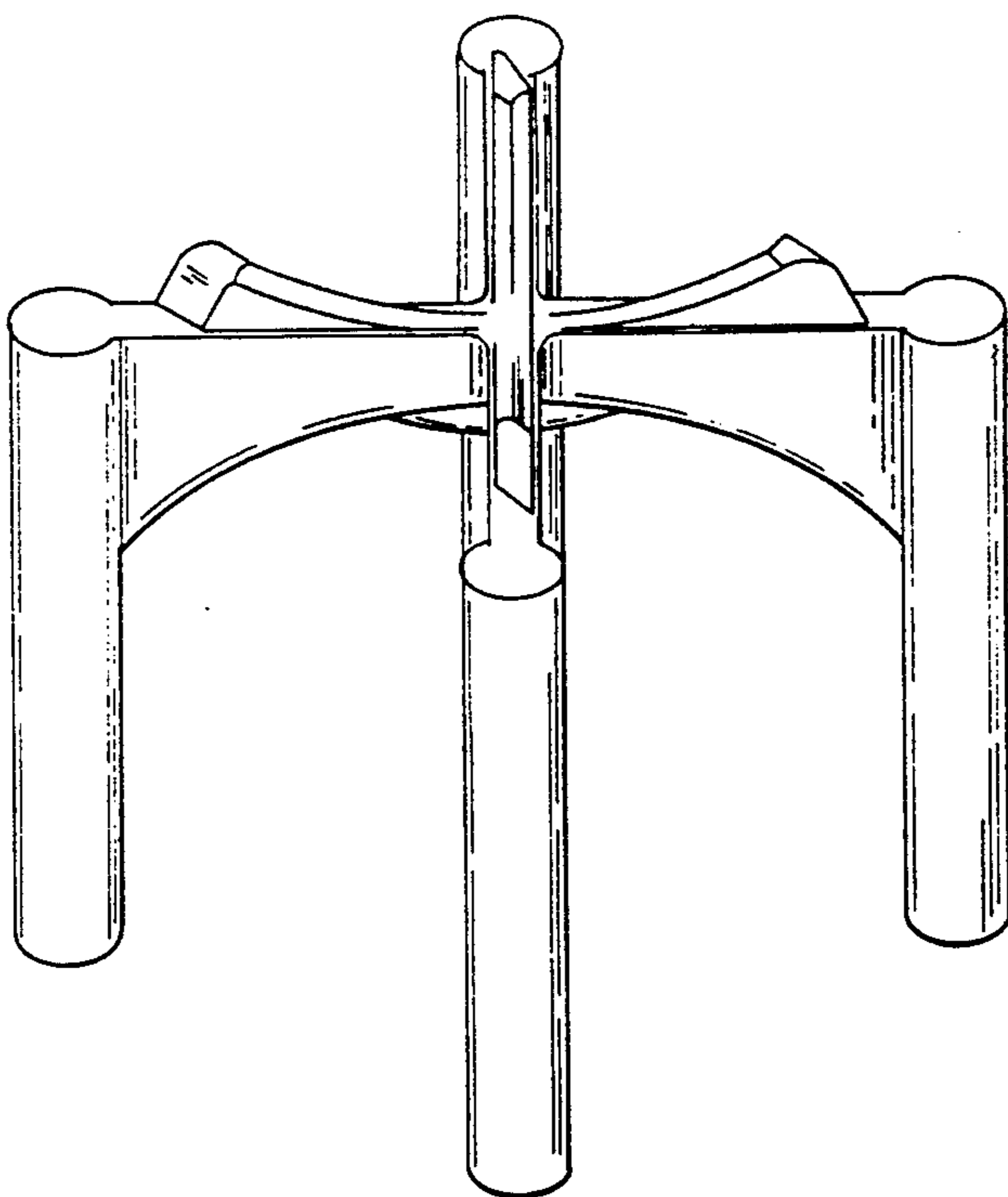


Fig. 2

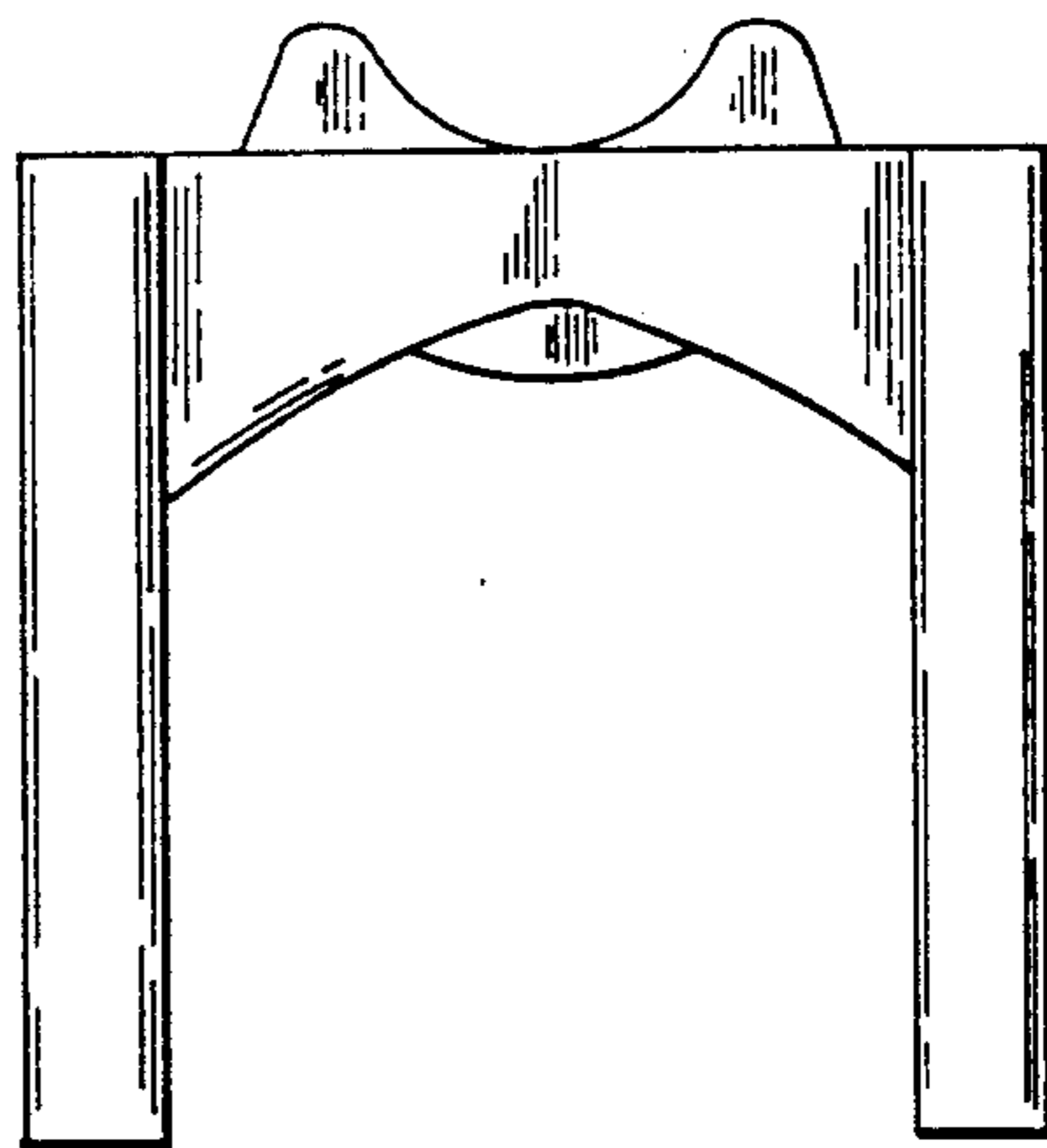


Fig. 3

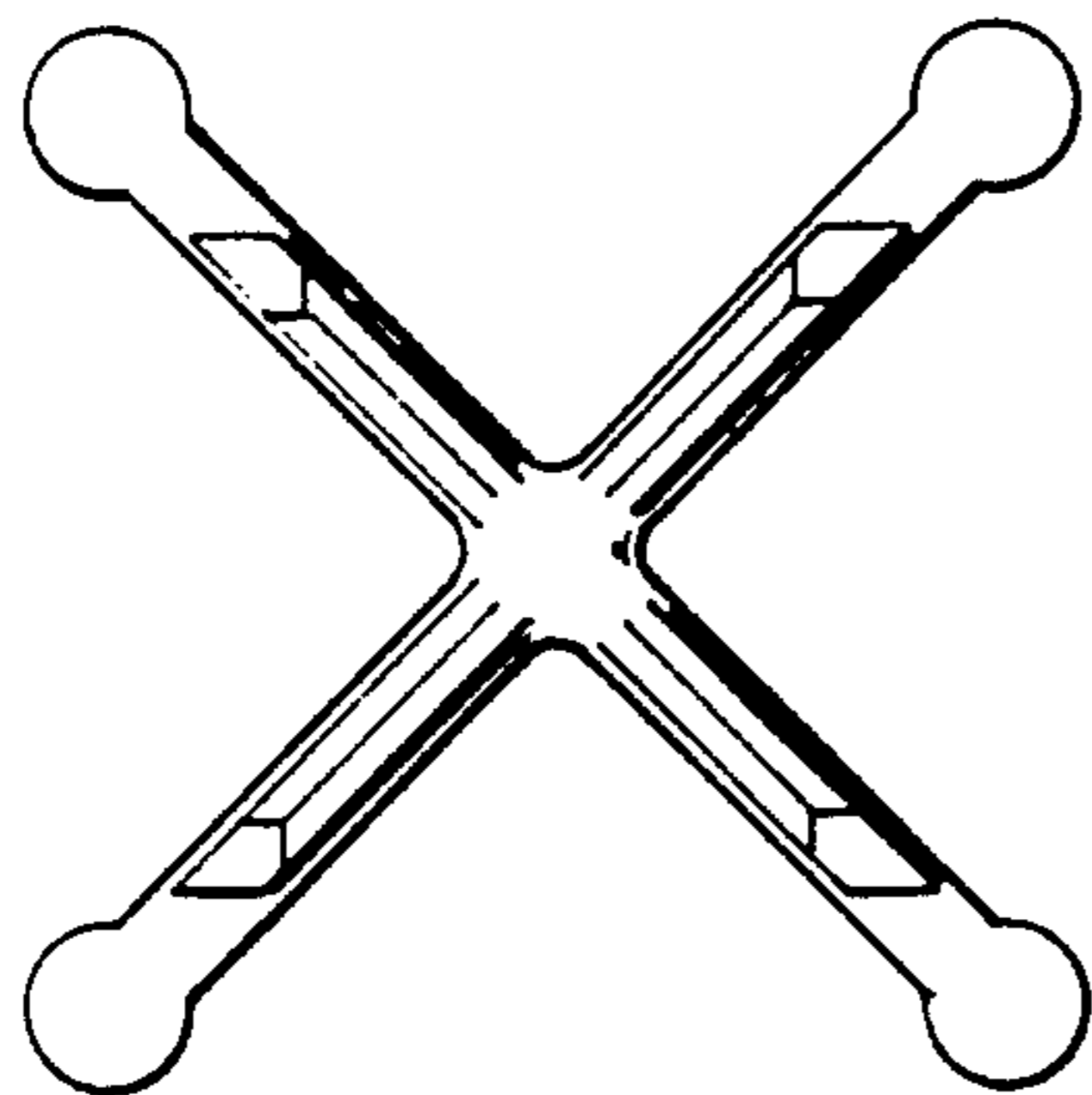


Fig. 4

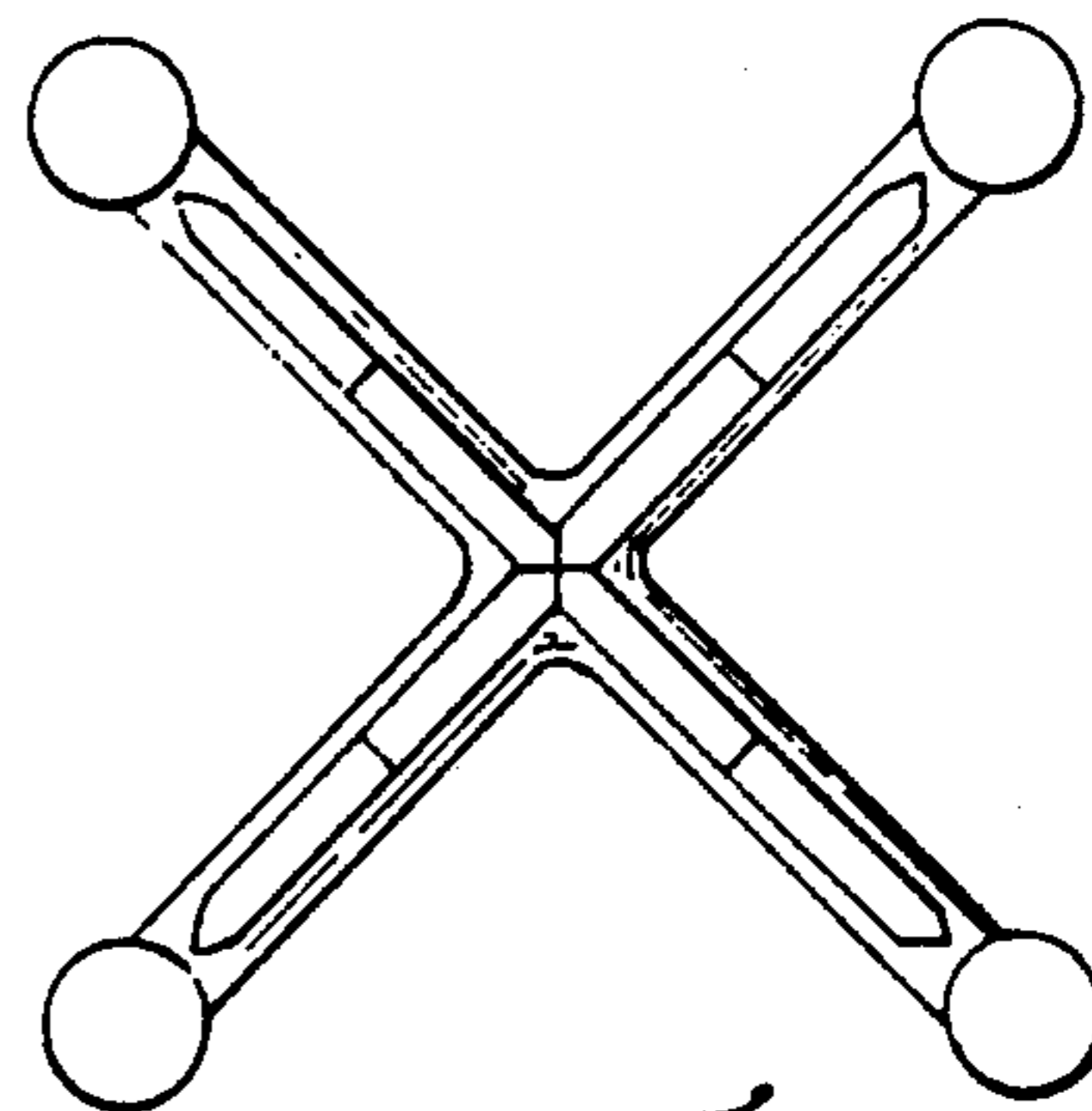


Fig. 5