



US00D324635S

United States Patent [19]

[11] Patent Number: **Des. 324,635**

Weinerman et al.

[45] Date of Patent: **** Mar. 17, 1992**

[54] **LATCH OR LOCK HOUSING WITH PUSH BUTTON OPERATOR**

[75] Inventors: **Lee S. Weinerman, Medina; Joel T. Vargus, Parma, both of Ohio**

[73] Assignee: **The Eastern Company, Cleveland, Ohio**

[**] Term: **14 Years**

[21] Appl. No.: **503,168**

[22] Filed: **Apr. 2, 1990**

3,044,287	7/1962	Pelcin	70/99
3,958,308	5/1976	Gooding	24/221
4,312,203	1/1982	Davis	70/472
4,457,146	7/1984	Weinerman	70/100
4,511,166	4/1985	Weinerman	292/29
4,565,080	1/1986	Kincaid et al.	70/215
4,570,467	2/1986	Greco	70/99
4,768,360	9/1988	Foshee	70/100

OTHER PUBLICATIONS

Hardware Age, (11/1961), p. 192—Push-Button Key Lock.

Primary Examiner—Brian N. Vinson
Attorney, Agent, or Firm—David A. Burge

Related U.S. Application Data

[63] Continuation-in-part of Ser. No. 305,011, Feb. 1, 1989, Pat. No. D. 318,217, and a continuation-in-part of Ser. No. 305,010, Feb. 1, 1989, Pat. No. D. 318,606, and a continuation-in-part of Ser. No. 304,957, Feb. 1, 1989, Pat. No. 4,912,951.

[52] U.S. Cl. **D8/331**

[58] Field of Search **D8/330-331, D8/338, 341, 300, 302; 70/77-78, 80-81, 89-91, 95-96, 100, 158, 448, 450, 452; 292/DIG. 11, DIG. 12, DIG. 23, DIG. 32, 163**

[57] CLAIM

The ornamental design for a latch or lock housing with push button operator, as shown and described.

DESCRIPTION

FIG. 1 is a top, front, and left side perspective view of a latch or lock housing with push button operator showing our new design, the rear and right side being identical in appearance to the front and rear side;

FIG. 2 is a vertical cross-sectional view thereof, taken along line 2—2 of FIG. 1;

FIG. 3 is a top, front, and left side perspective view thereof, showing the push button depressed;

FIG. 4 is a top, front, and left side perspective view of an alternative embodiment thereof, the rear and right side being identical in appearance to the front and left side;

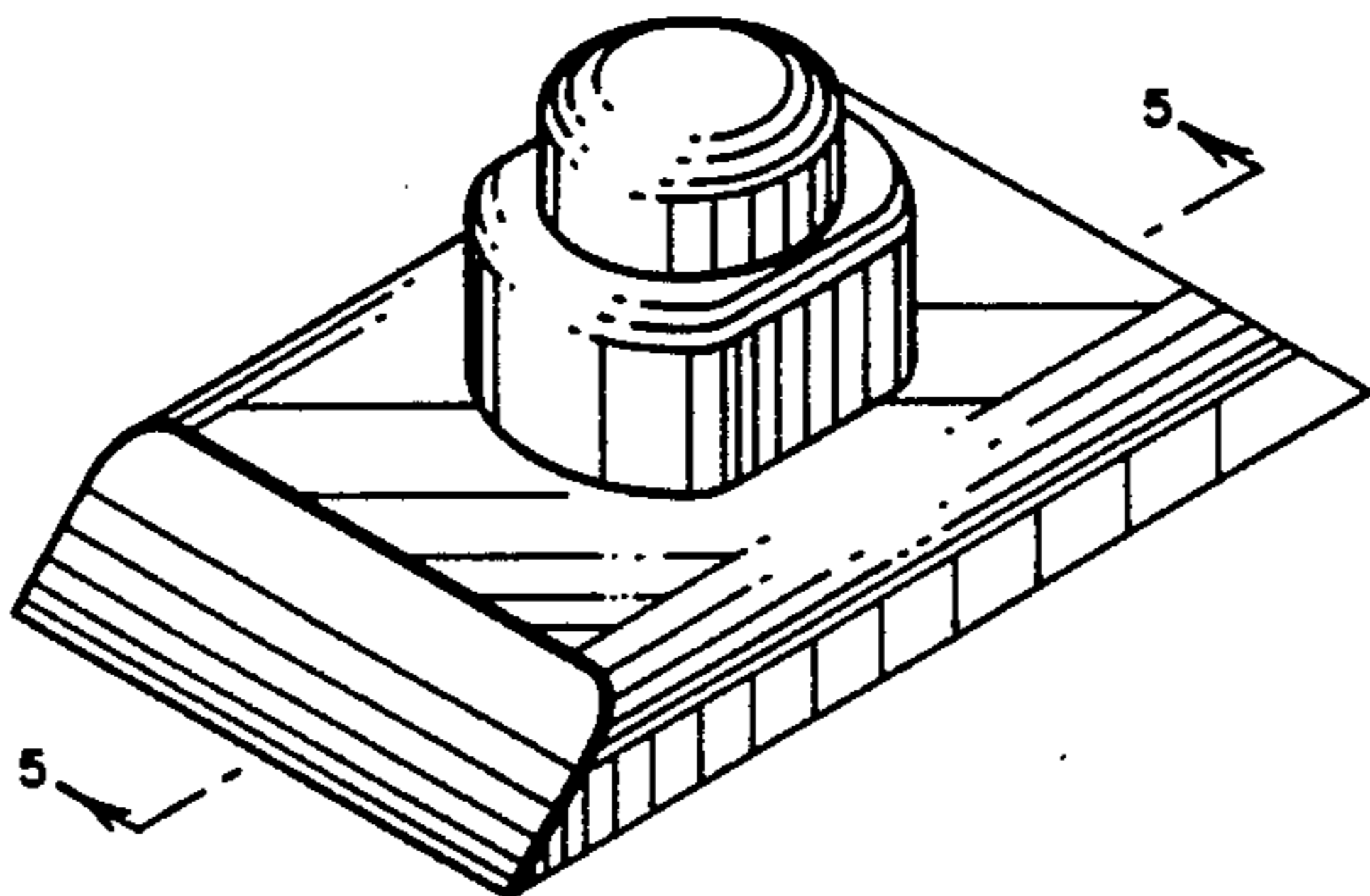
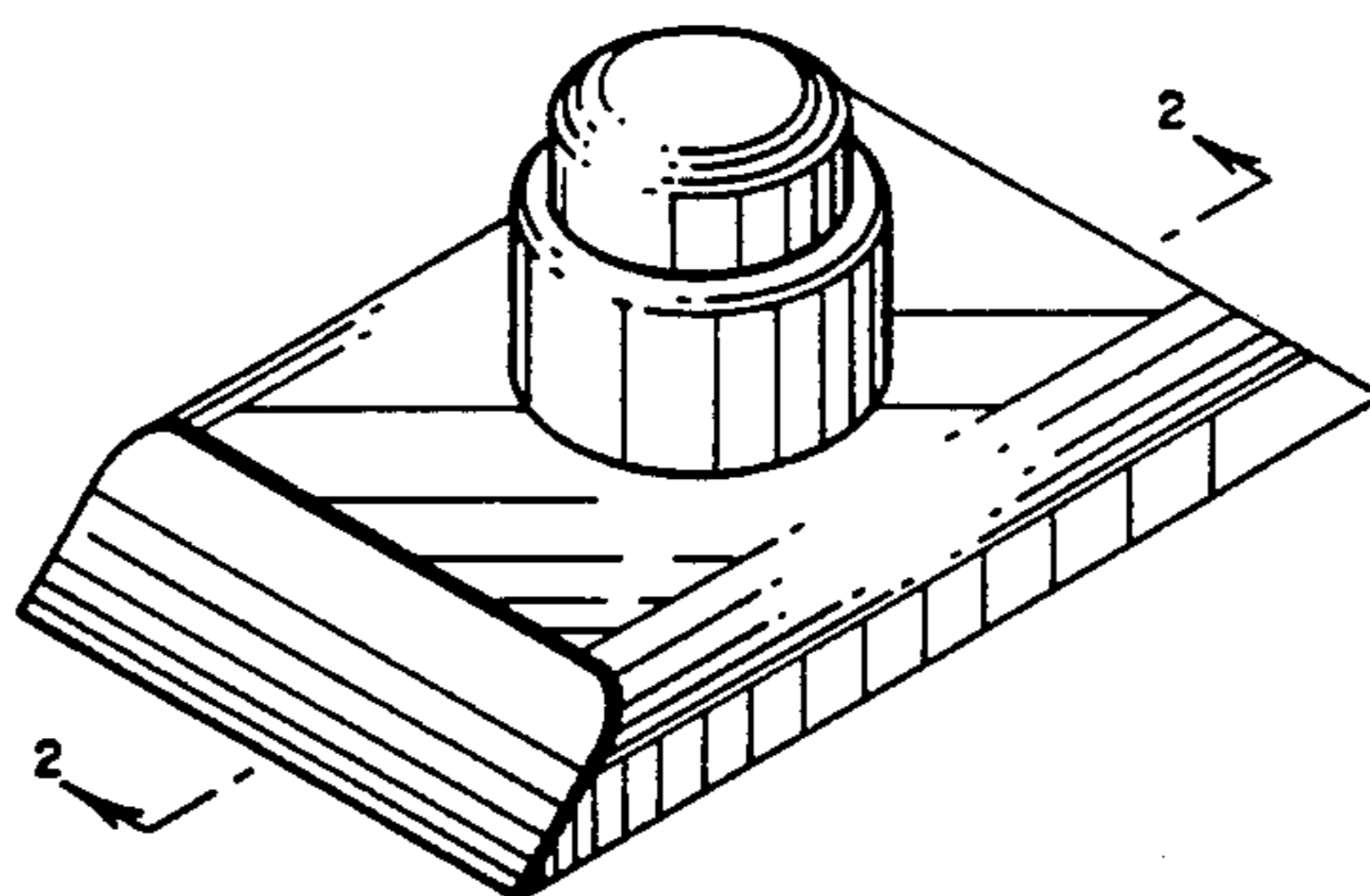
FIG. 5 is a vertical cross-sectional view of the alternate embodiment thereof, taken along line 5—5 of FIG. 4; and

FIG. 6 is a top, front, and left side perspective view of the alternative embodiment thereof, showing the push button depressed.

[56] References Cited

U.S. PATENT DOCUMENTS

D. 265,965	8/1982	Davis et al.	D8/302
D. 270,328	8/1983	Davis et al.	D8/302
D. 312,769	12/1990	Bisbing	D8/338
767,567	8/1904	Keil .	
824,027	6/1906	Keeler .	
1,035,073	8/1912	Augenbraun	70/150
2,475,951	7/1949	Floraday	70/139
2,511,253	6/1950	Fischer	292/129
2,530,330	11/1950	Groeger	292/29
2,540,686	2/1951	Milburn	292/124



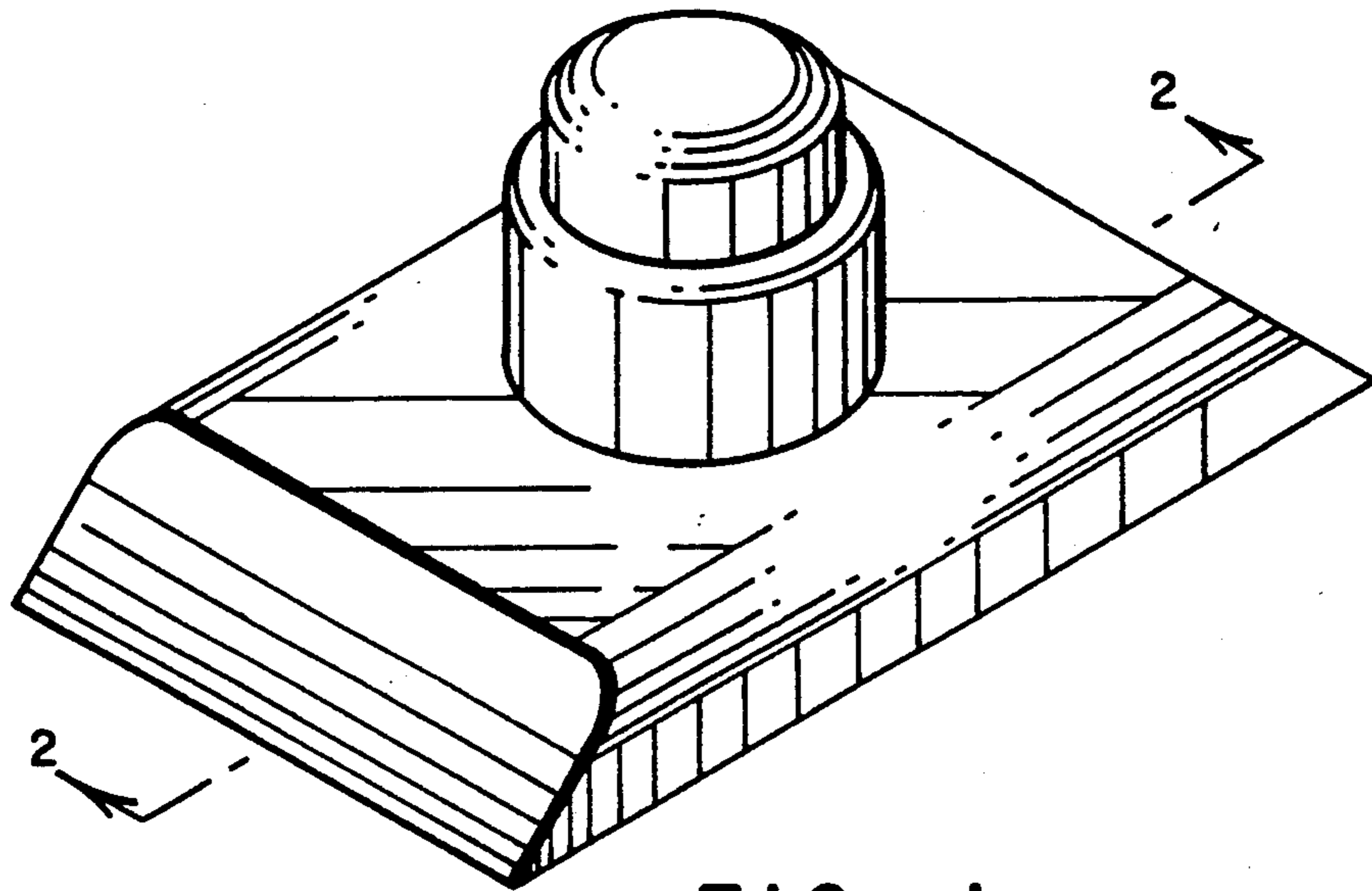


FIG. 1

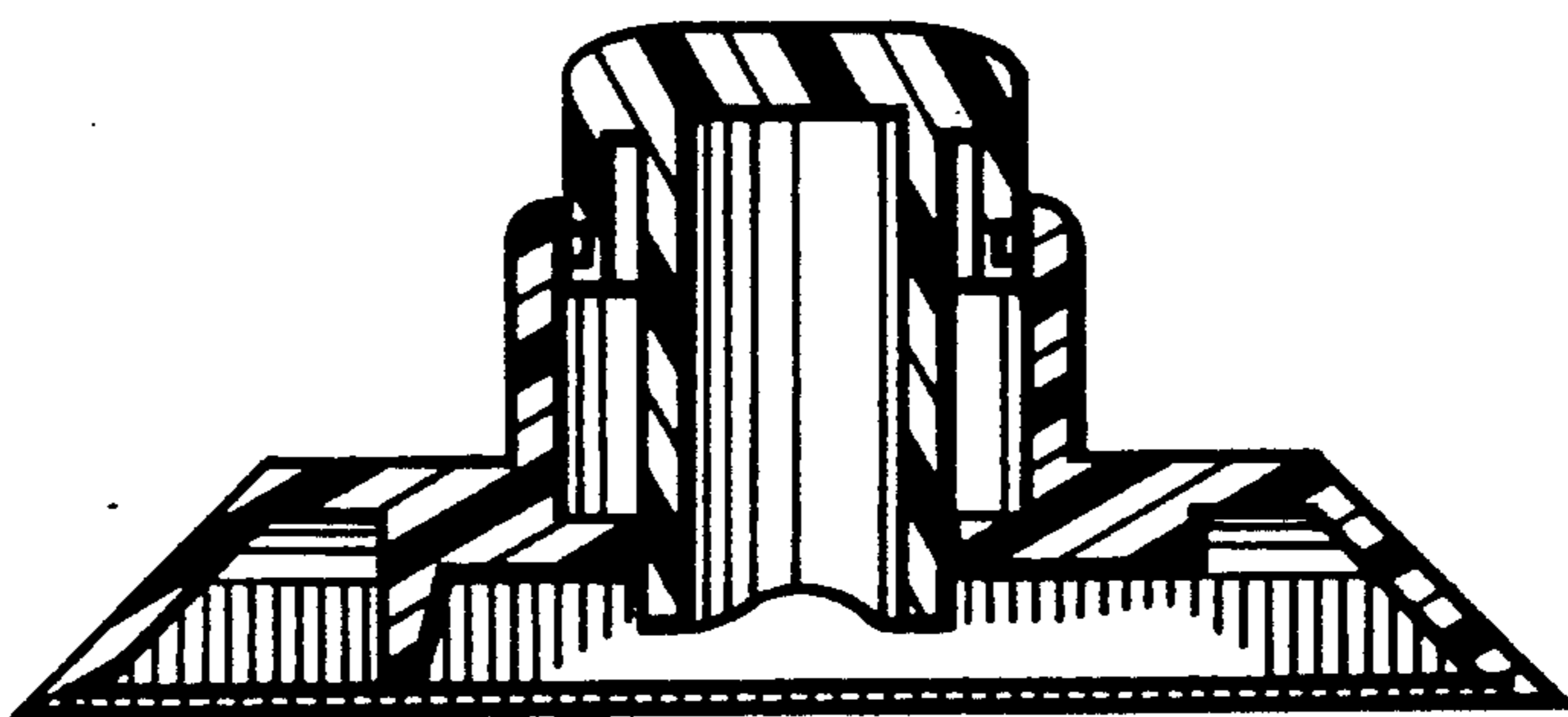


FIG. 2

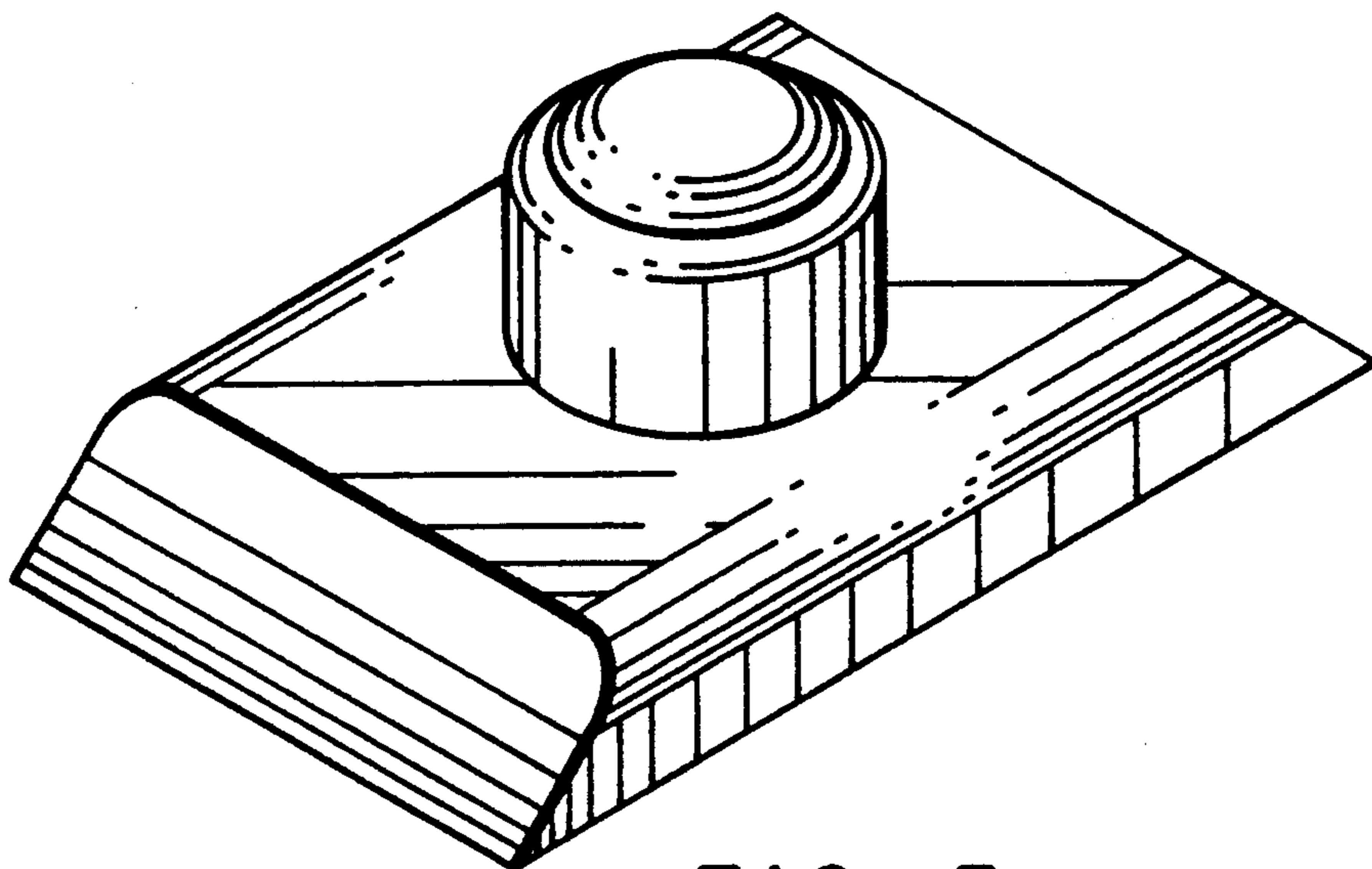


FIG. 3

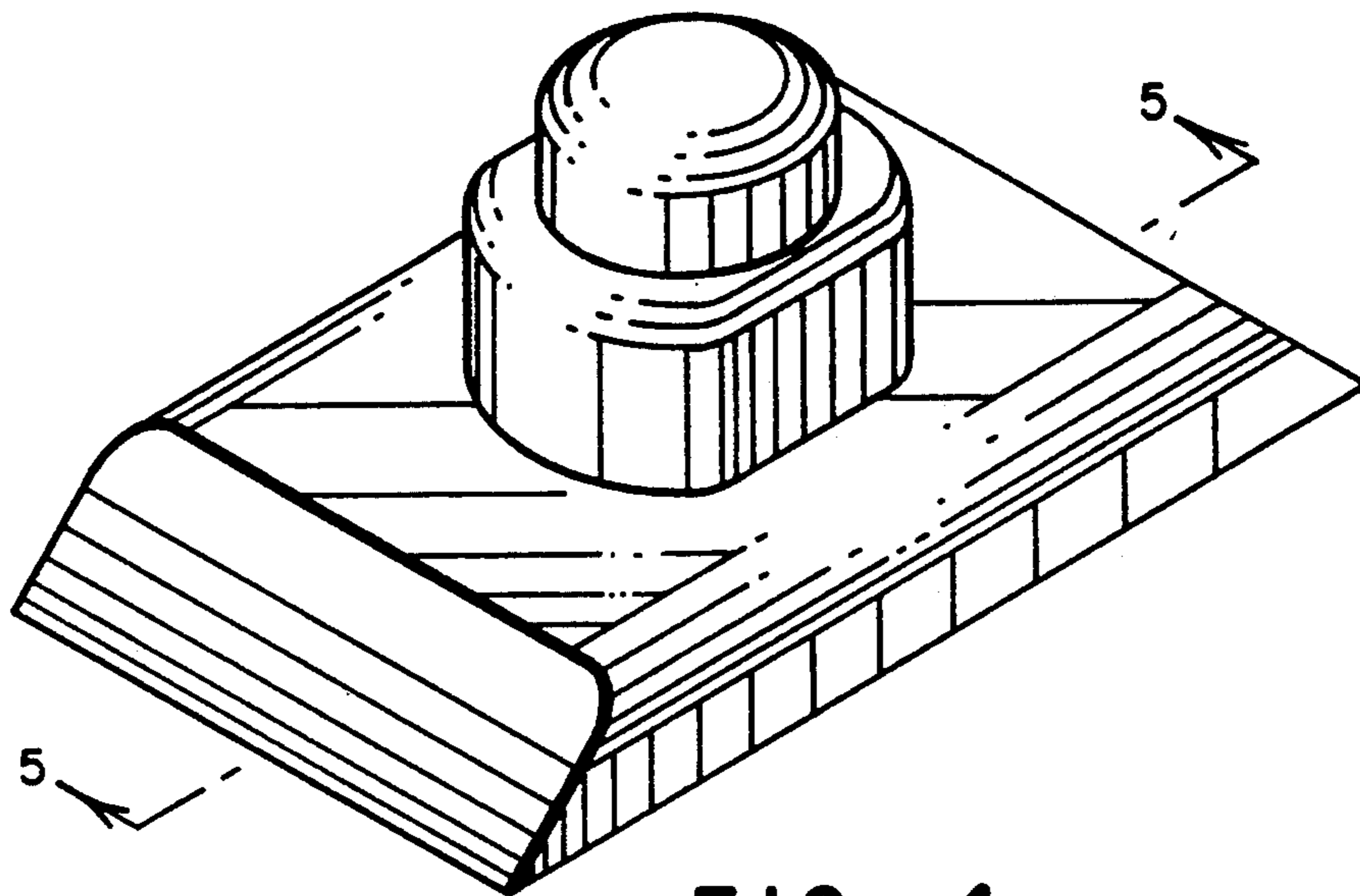


FIG. 4

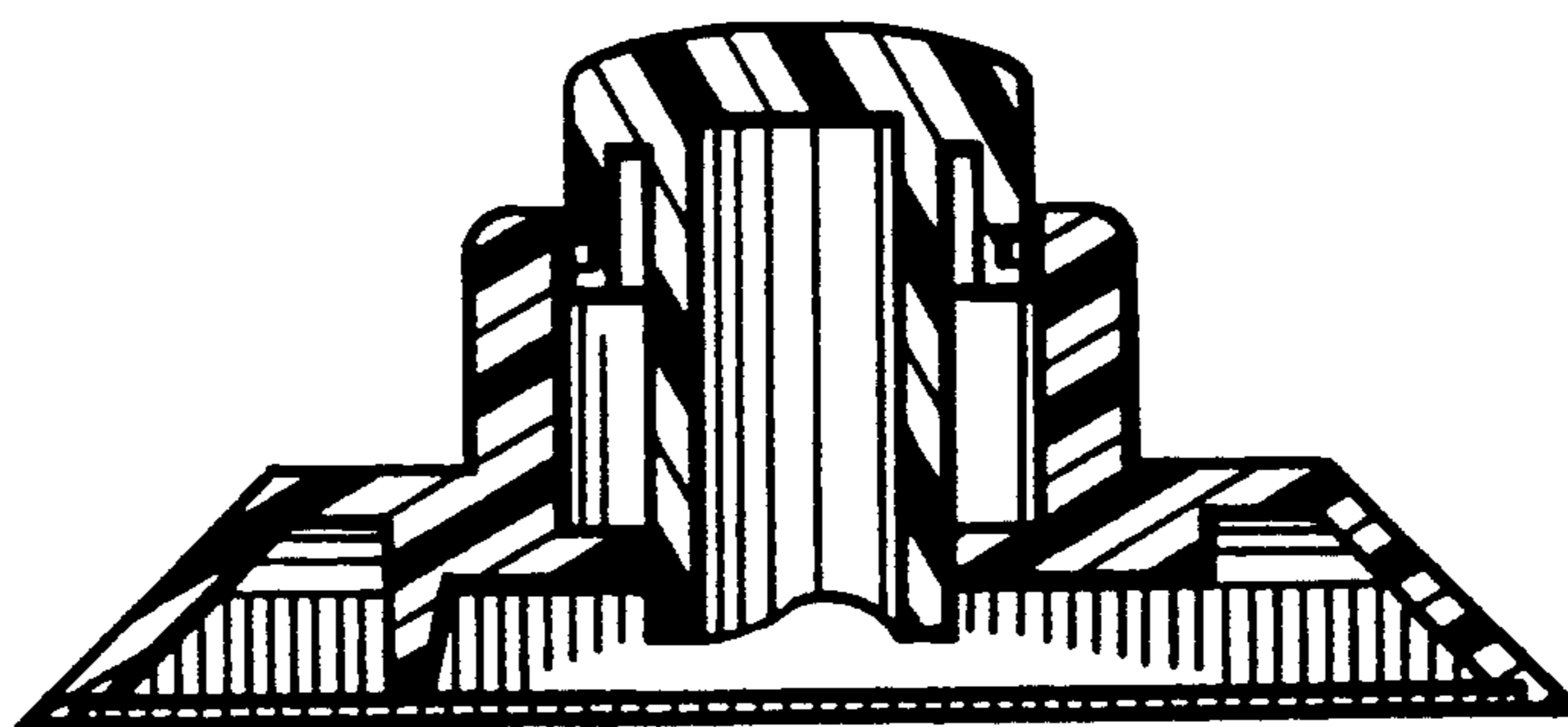


FIG. 5

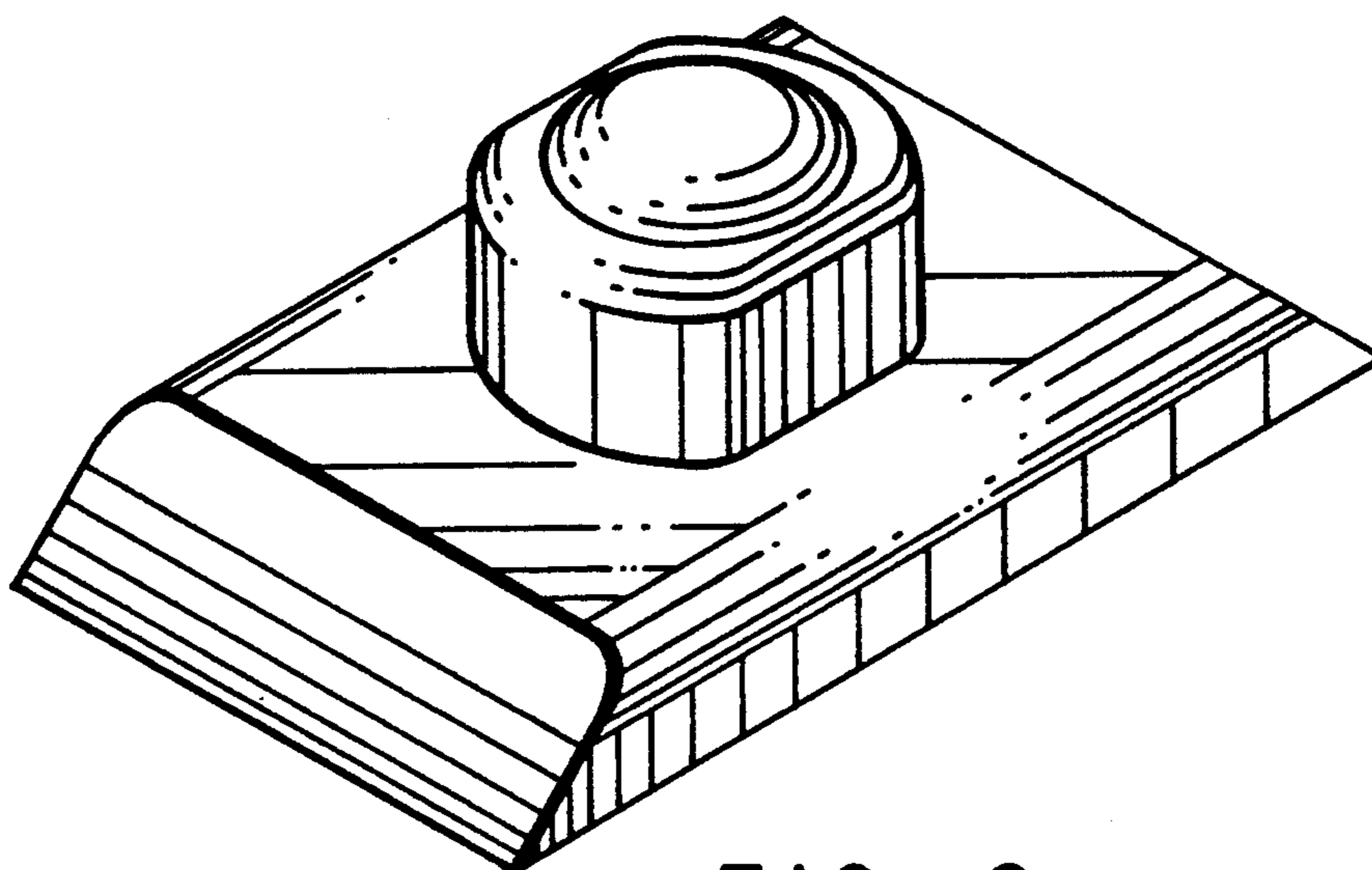


FIG. 6