



US00D324632S

United States Patent [19]

[11] Patent Number: **Des. 324,632**

Nose et al.

[45] Date of Patent: **** Mar. 17, 1992**

[54] **ELECTRIC CHAMFERING MACHINE**

[75] Inventors: **Kinya Nose; Shigeru Yasuda**, both of Tokyo, Japan

[73] Assignee: **Nitto Kohki Co., Ltd.**, Tokyo, Japan

[**] Term: **14 Years**

[21] Appl. No.: **397,798**

[22] Filed: **Aug. 24, 1989**

[30] Foreign Application Priority Data

Feb. 27, 1989 [JP] Japan 1-6647

[52] U.S. Cl. **D8/61**

[58] Field of Search D8/61, 62; 83/869, 581; 104/182; 144/134 D, 136 C

[56] **References Cited**

U.S. PATENT DOCUMENTS

D. 303,346 9/1989 Ogawa D8/61

D. 315,086 3/1991 Spring D8/61

3,724,304 4/1973 Persson 83/869

4,279,554 7/1981 Seidenfaden 409/180

4,384,621 5/1983 Bitzel 83/581

4,988,245 1/1991 Fukuda 409/178

5,004,385 4/1991 Kishi 144/134 D

5,018,914 5/1991 Kishi 409/178

5,028,179 7/1991 Grasset 409/178

Primary Examiner—Nelson C. Holtje
Assistant Examiner—J. H. Musgrove
Attorney, Agent, or Firm—Nixon & Vanderhye

[57] **CLAIM**

The ornamental design for an electric chamfering machine, as shown.

DESCRIPTION

FIG. 1 is a front, top and left side perspective view of an electric chamfering machine showing our new design; FIG. 2 is a front elevational view thereof; FIG. 3 is a top plan view thereof; FIG. 4 is a bottom plan view thereof; FIG. 5 is a left side elevational view thereof; FIG. 6 is a right side elevational view thereof; and FIG. 7 is a rear elevational view thereof.

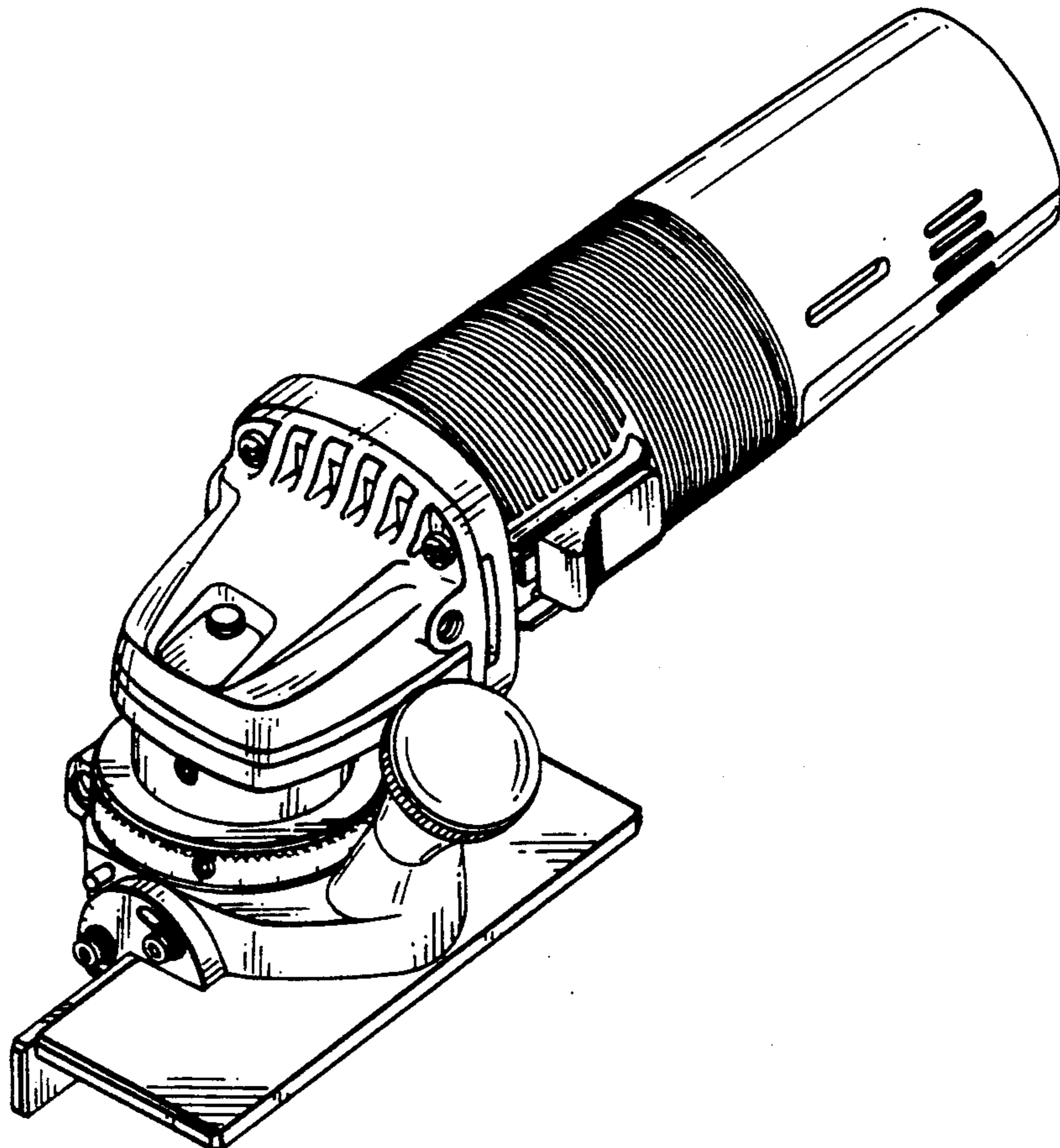


FIG. 1

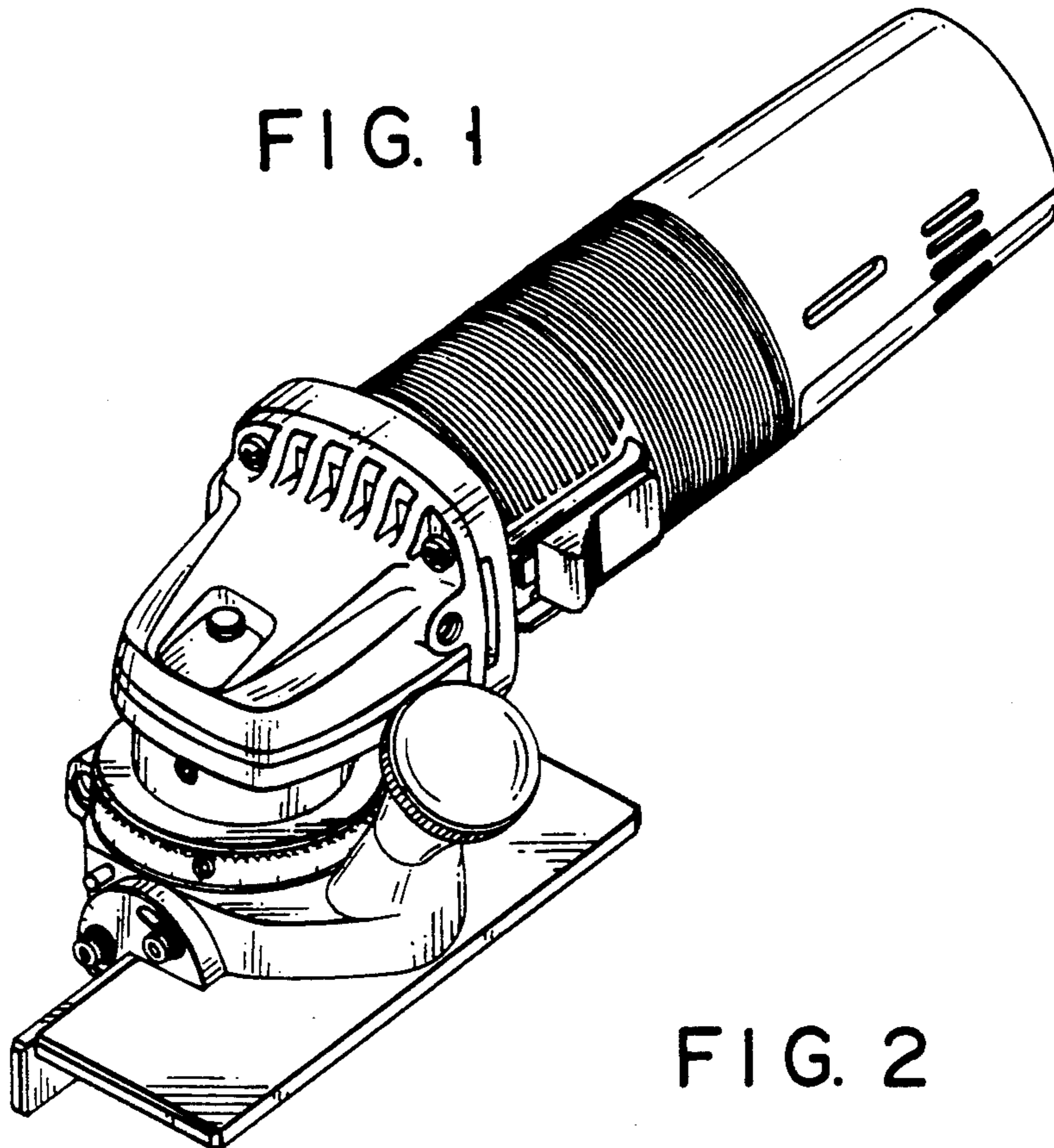


FIG. 2

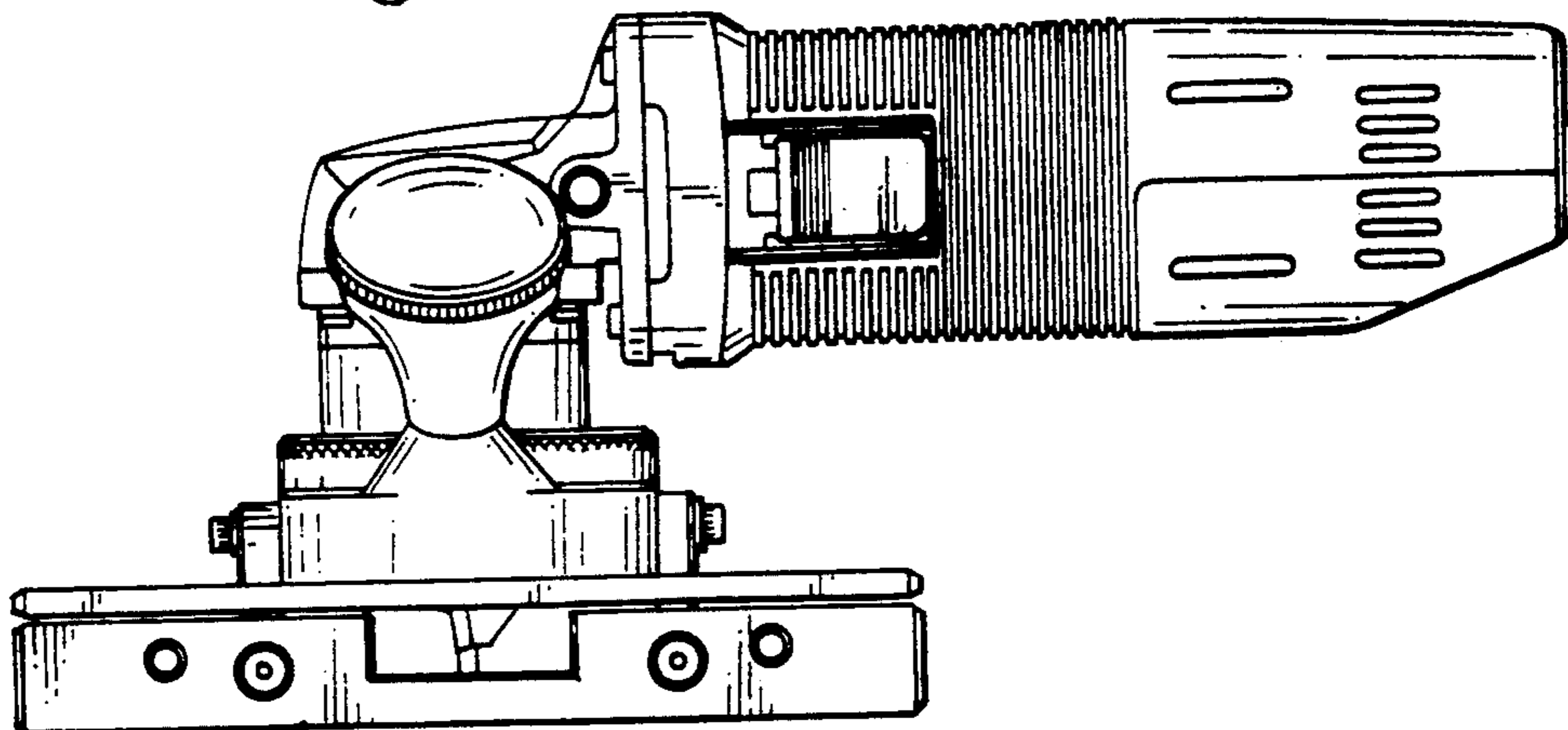


FIG. 3

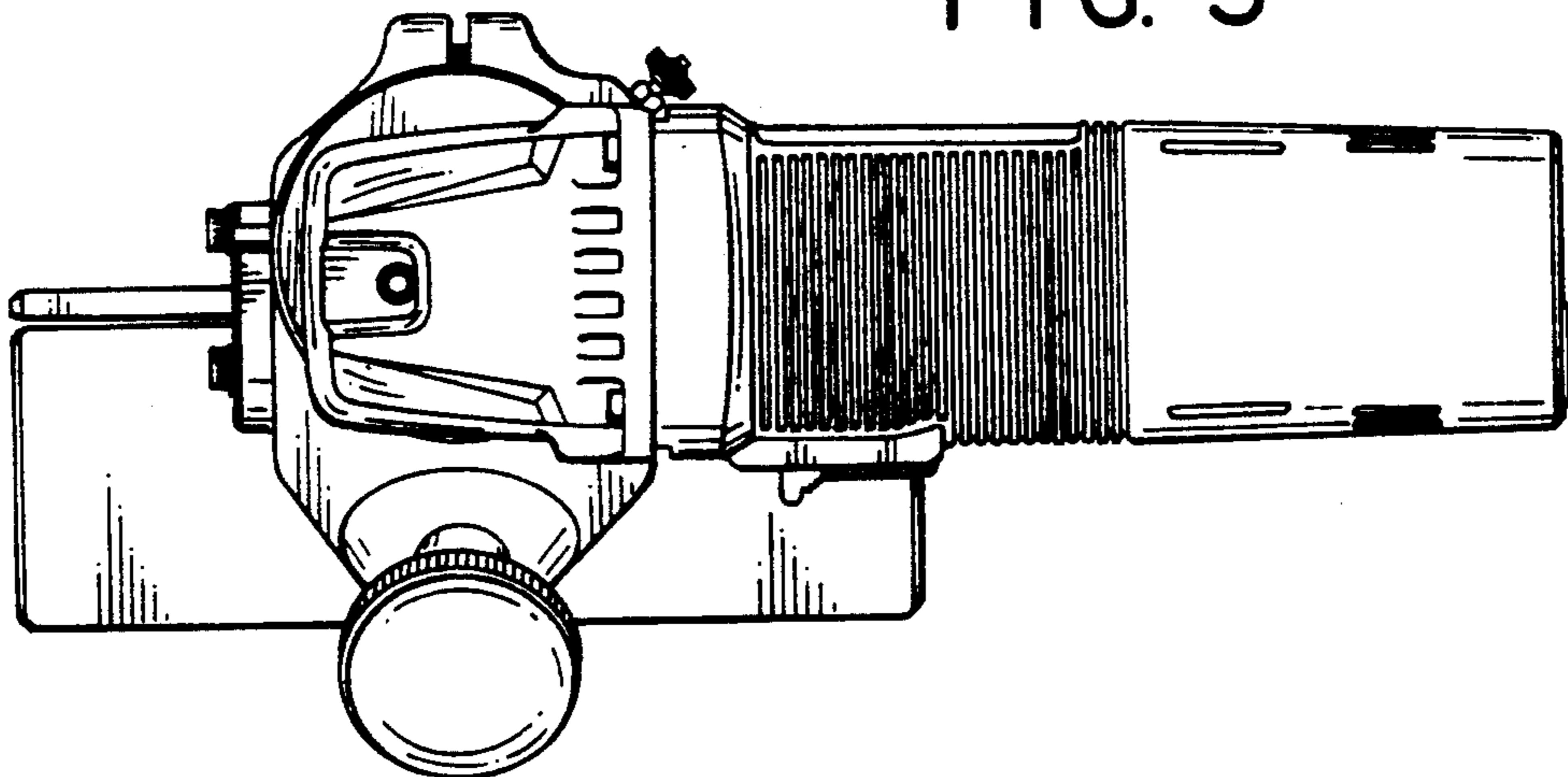


FIG. 4

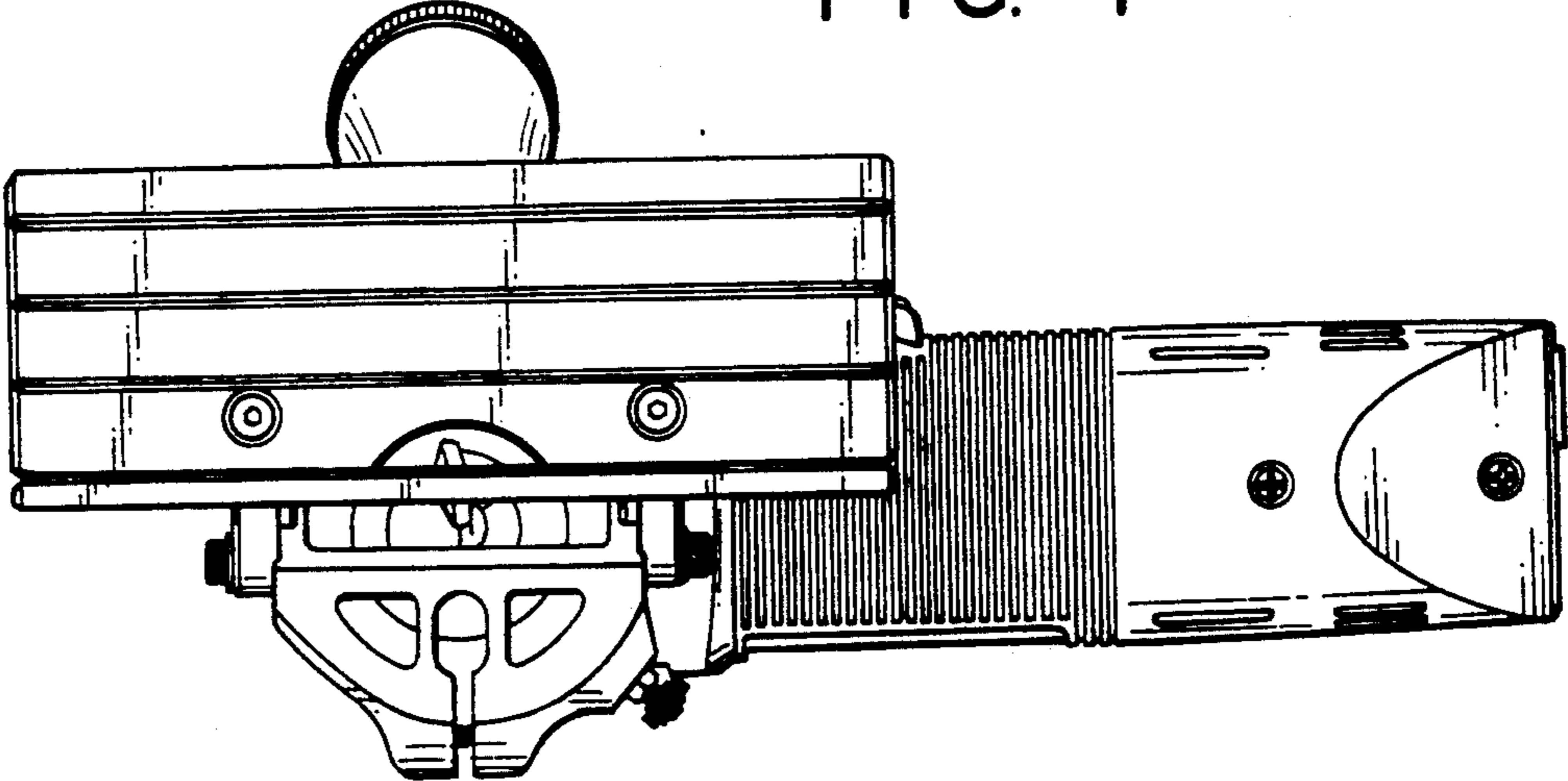


FIG. 5

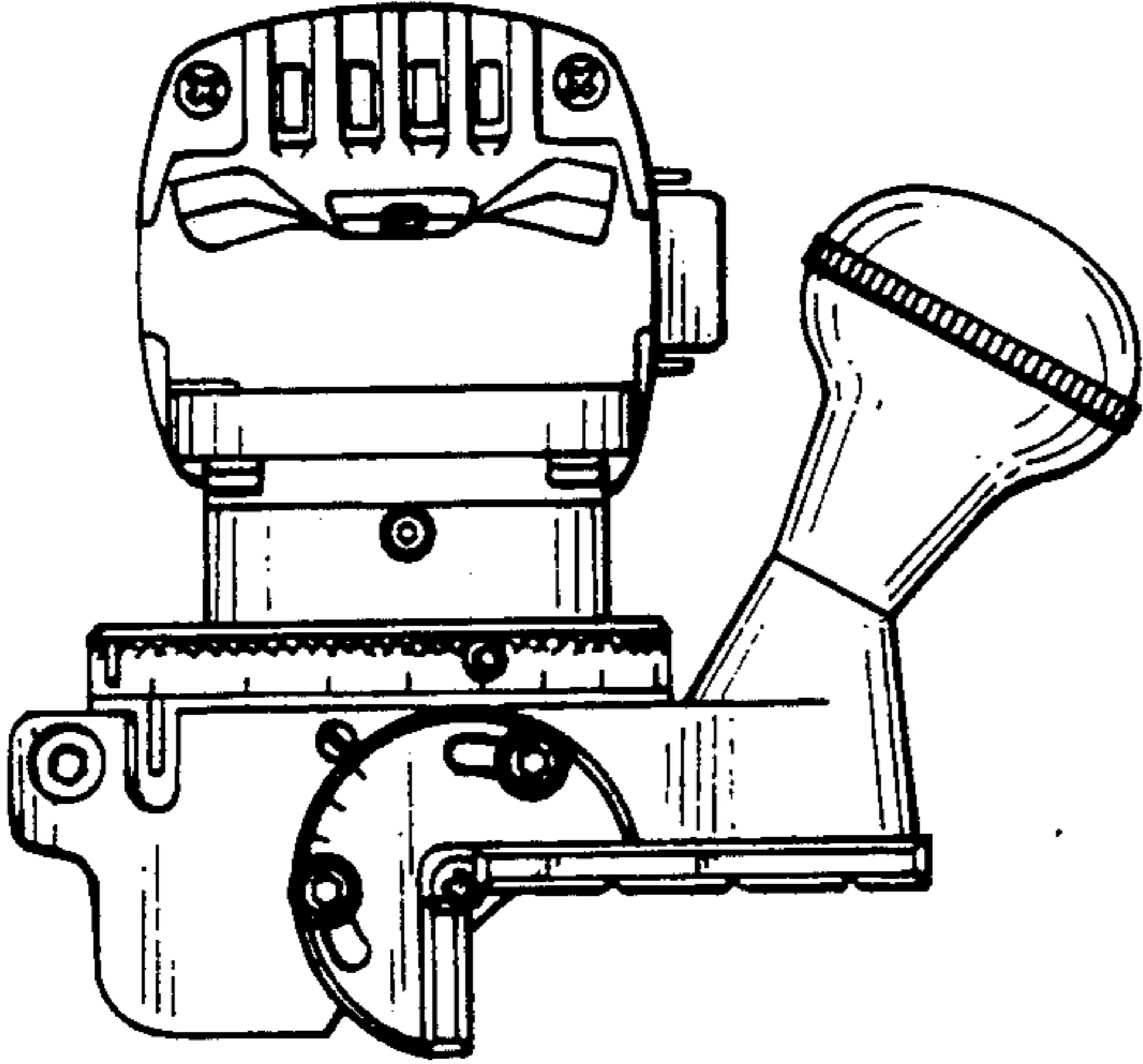


FIG. 6

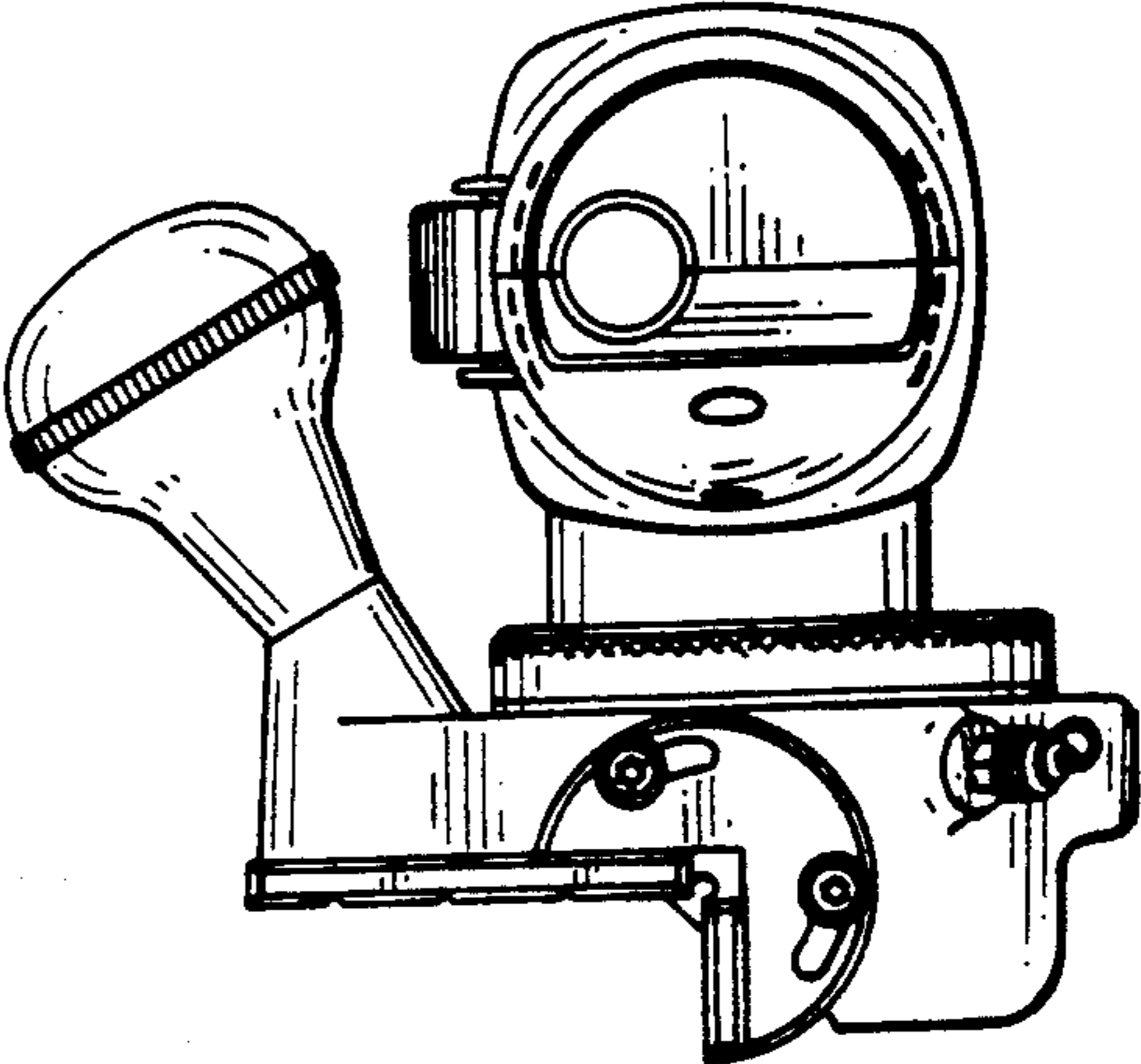


FIG. 7

