



US00D324630S

# United States Patent [19]

[11] Patent Number: **Des. 324,630**

Moeller

[45] Date of Patent: **\*\* Mar. 17, 1992**

[54] **WRENCH FOR ASSEMBLING  
HYDROTHERAPY OUTLETS**

3,564,949	2/1971	Hedrick	81/176.15
3,768,345	10/1973	Barnes	81/176.15
4,369,678	1/1983	Cooper et al.	81/176.15

[75] Inventor: **William L. Moeller**, Allentown, N.J.

*Primary Examiner*—Bernard Ansher  
*Assistant Examiner*—Philip Hyder  
*Attorney, Agent, or Firm*—John P. Sinnott

[73] Assignee: **American Standard Inc.**, New York, N.Y.

[\*\*] Term: **14 Years**

[57] **CLAIM**

[21] Appl. No.: **335,154**

The ornamental design for wrench for assembling hydrotherapy outlets, as shown and described.

[22] Filed: **Apr. 7, 1989**

**DESCRIPTION**

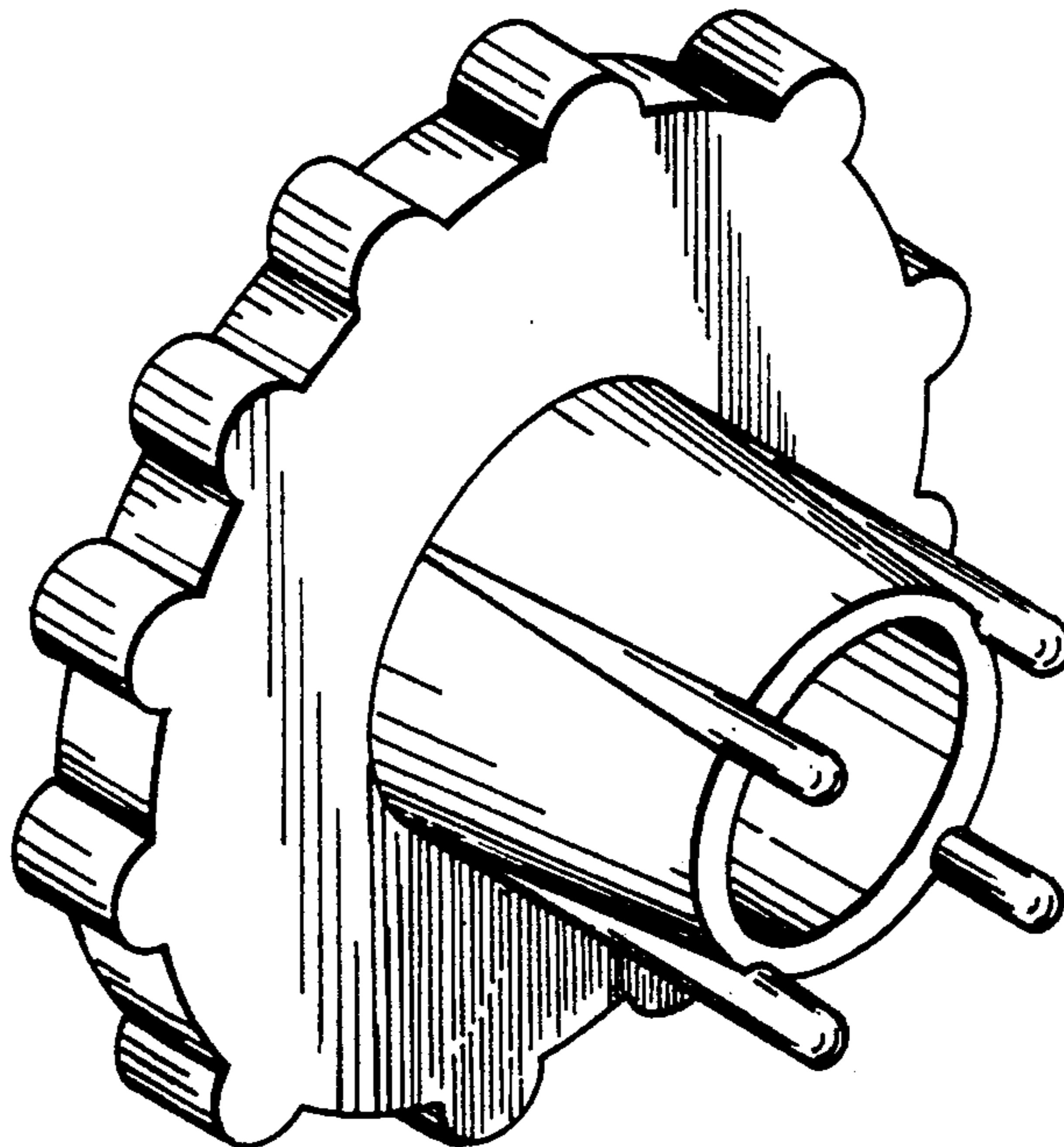
[52] U.S. Cl. .... **D8/21; D8/14**  
[58] Field of Search ..... **D8/14, 21; 81/176.1, 81/176.15, 176.2, 461, 119, 120, 121.1, 124.5, 125.1**

FIG. 1 is a perspective view of a wrench for assembling hydrotherapy outlets, showing my new design;  
FIG. 2 is a front elevational view thereof;  
FIG. 3 is a rear elevational view thereof;  
FIG. 4 is a left side elevational view thereof, the right side being a mirror image;  
FIG. 5 is a cross sectional view taken along 5—5 of FIG. 1; and  
FIG. 6 is a rear perspective view thereof.

[56] **References Cited**

**U.S. PATENT DOCUMENTS**

D. 245,392	8/1977	Bascom et al.	D8/98
D. 287,456	12/1986	Kobos	D8/14



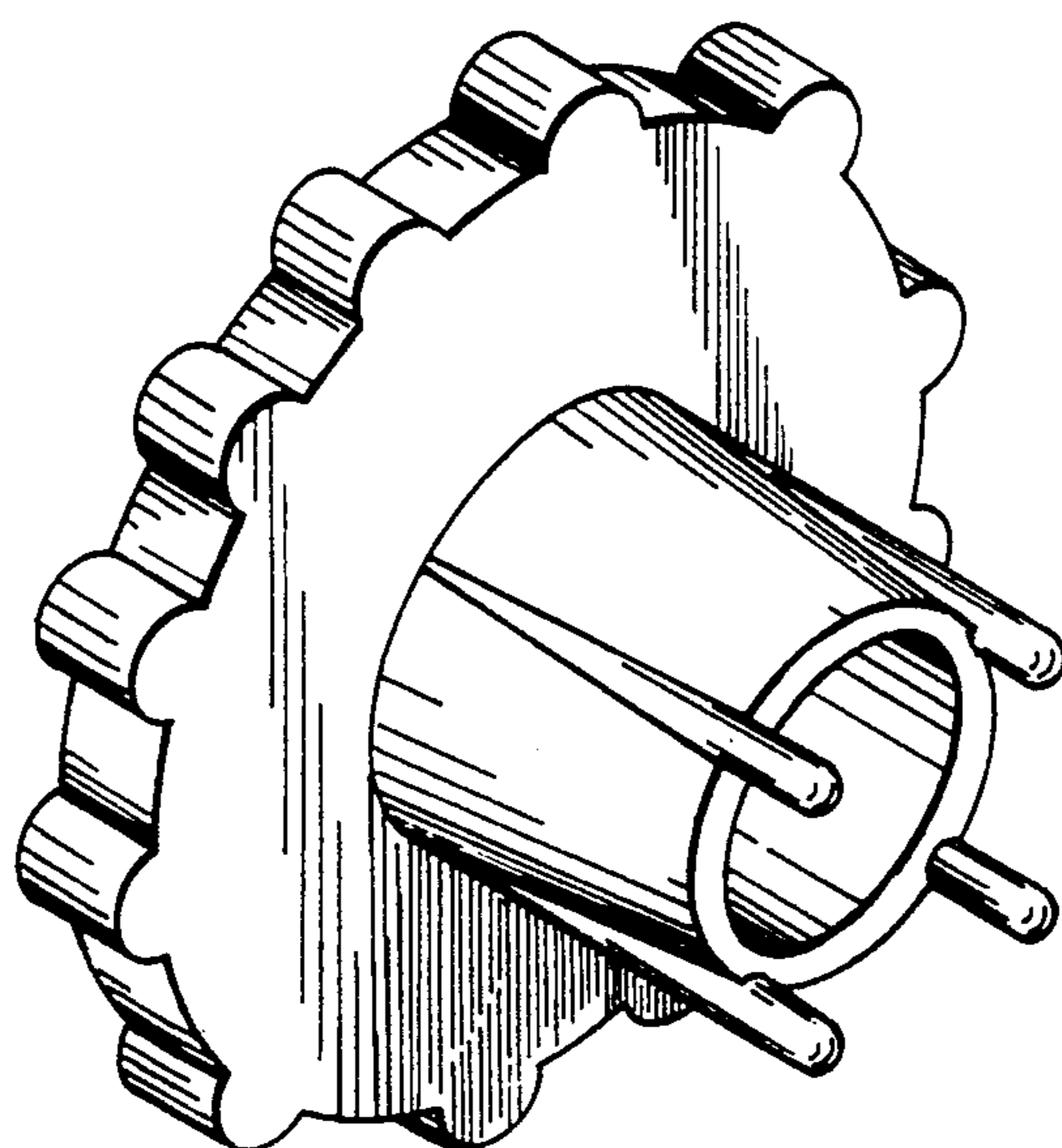


FIG. 1

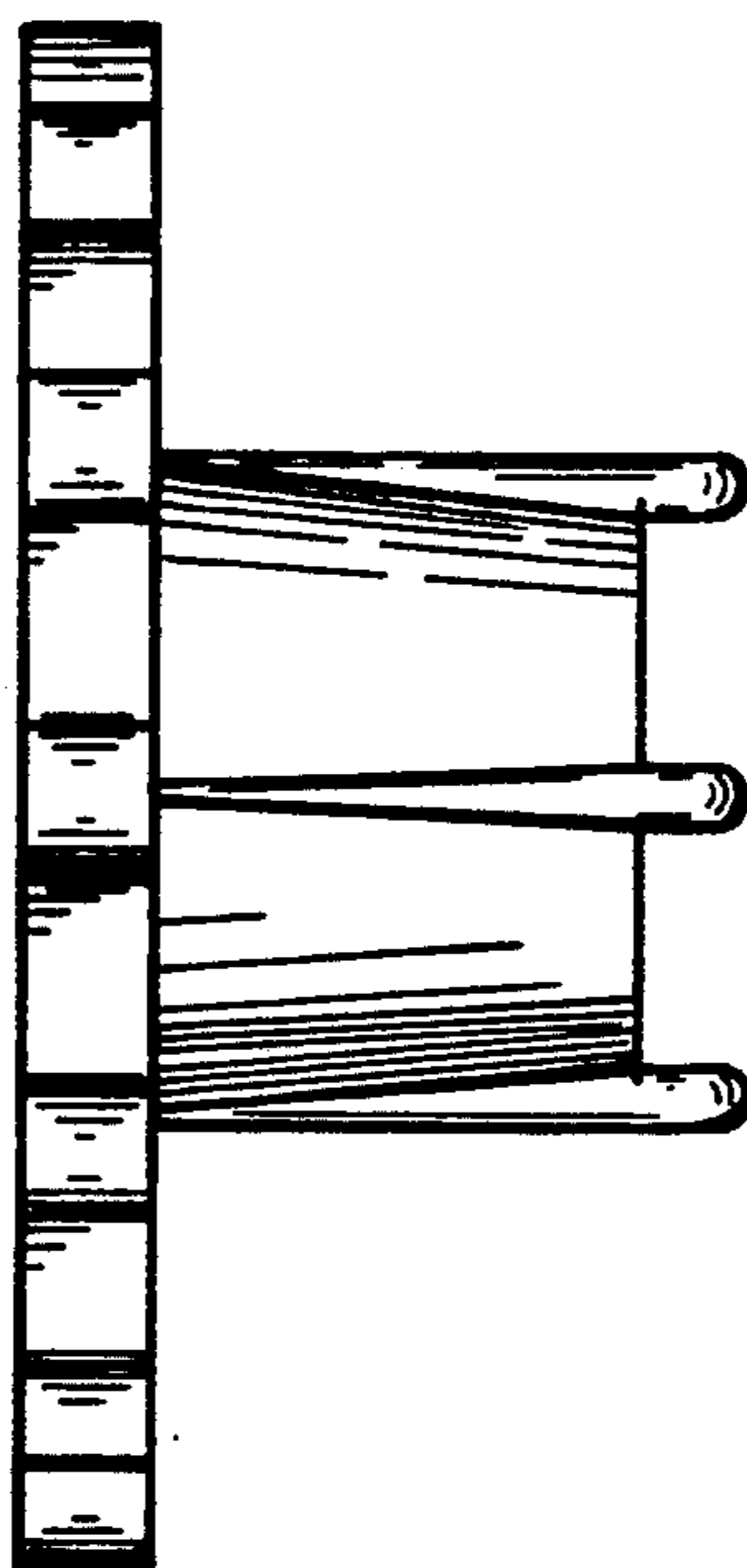


FIG. 4

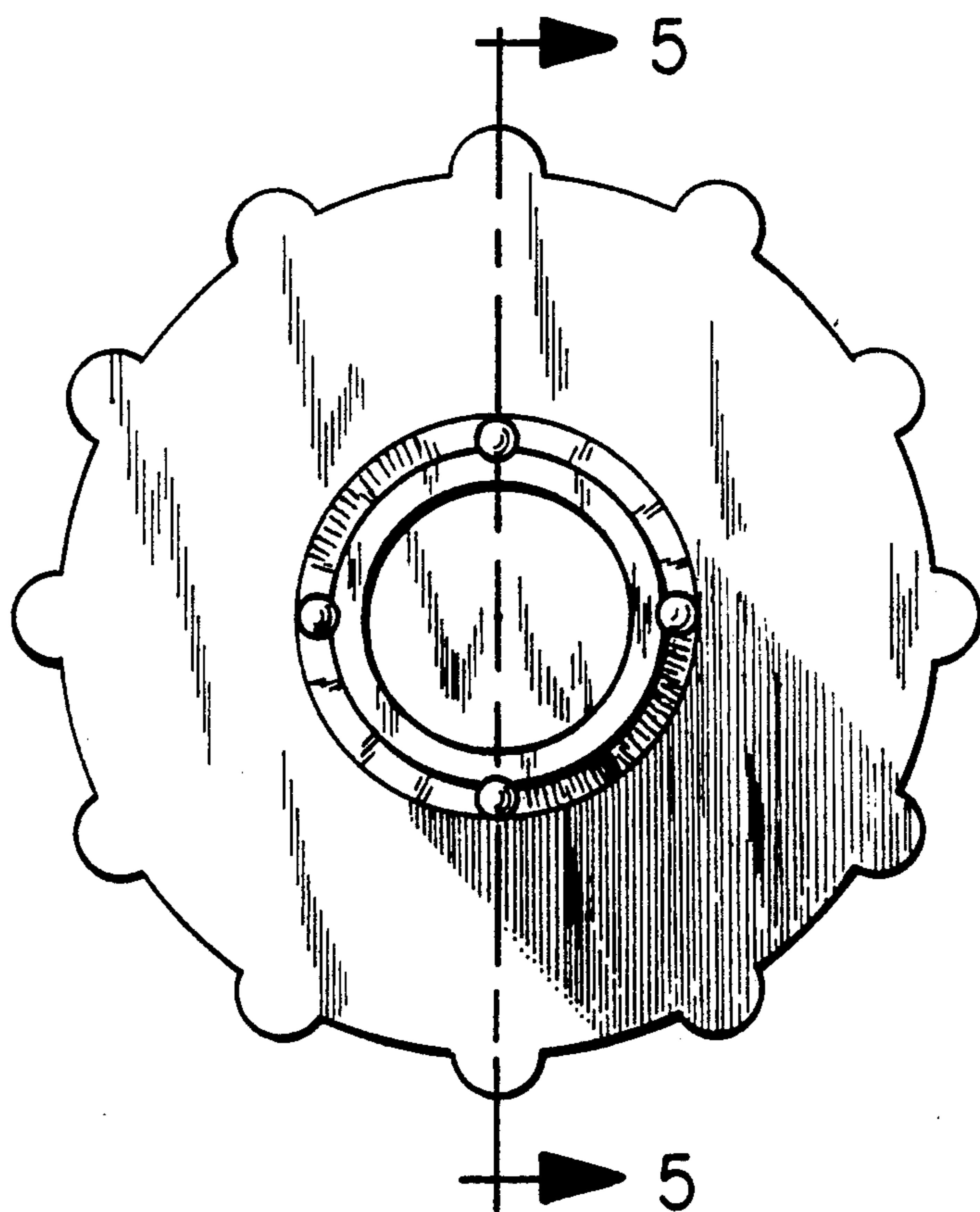


FIG. 2

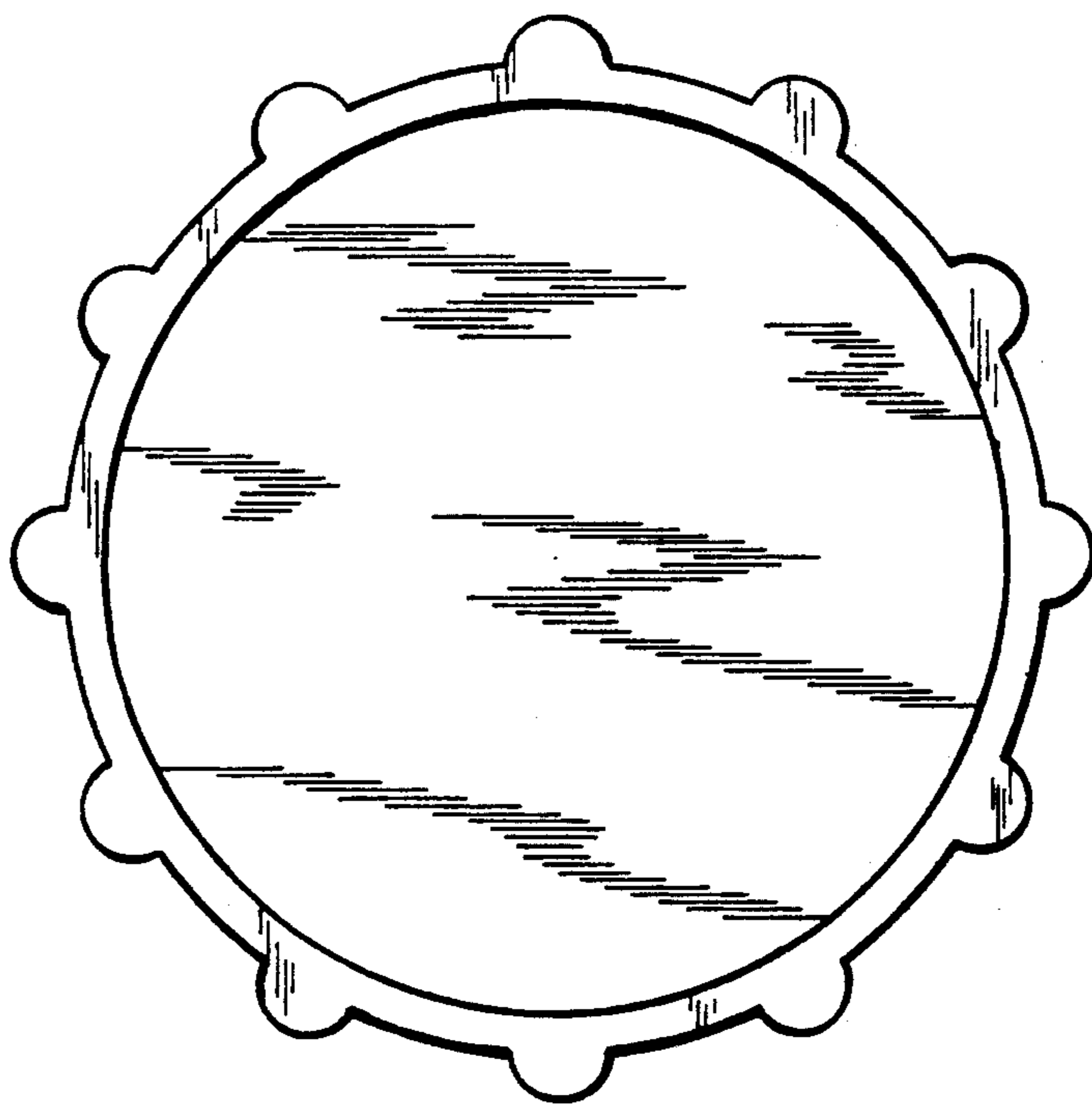


FIG. 3

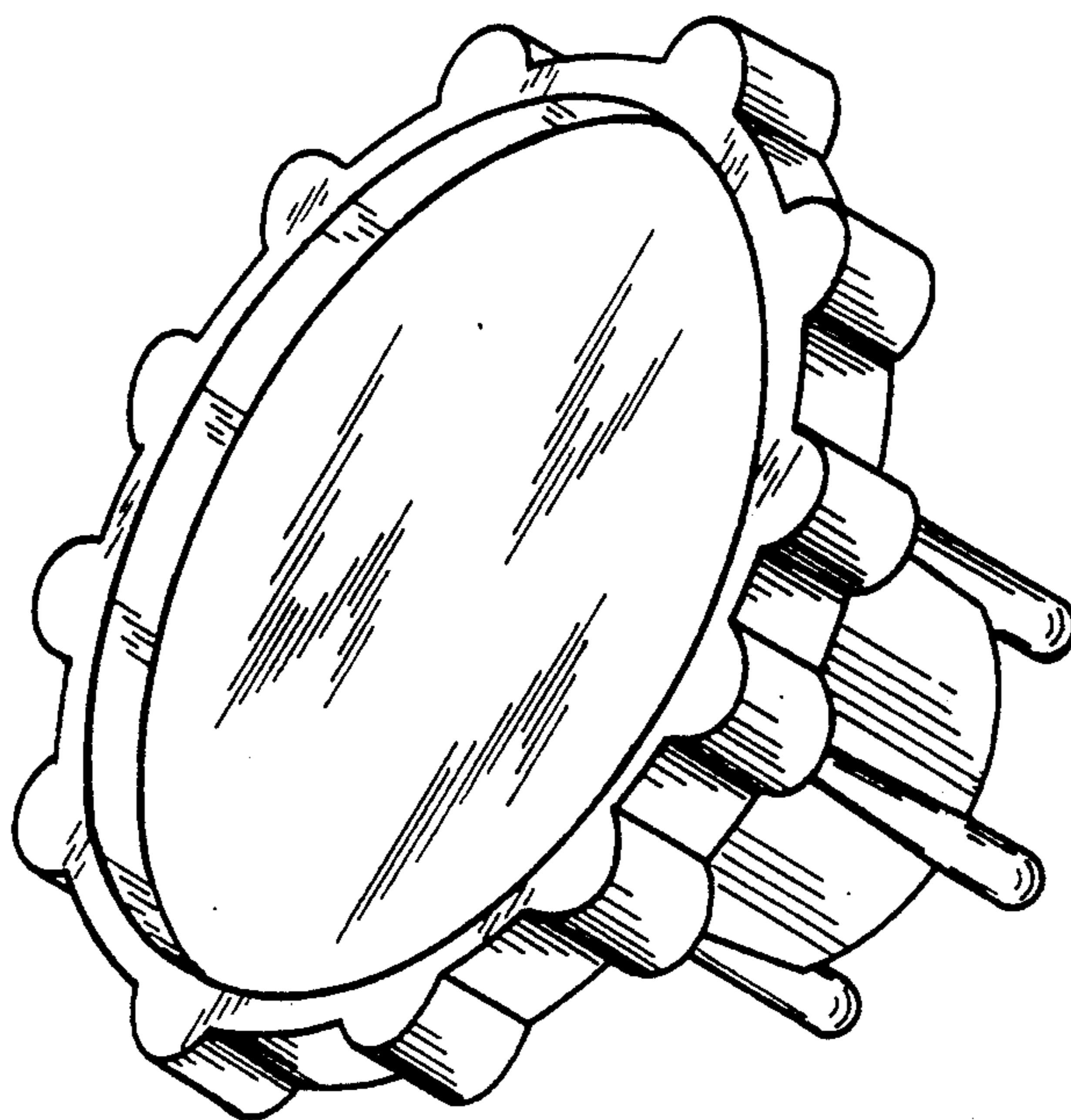


FIG. 6

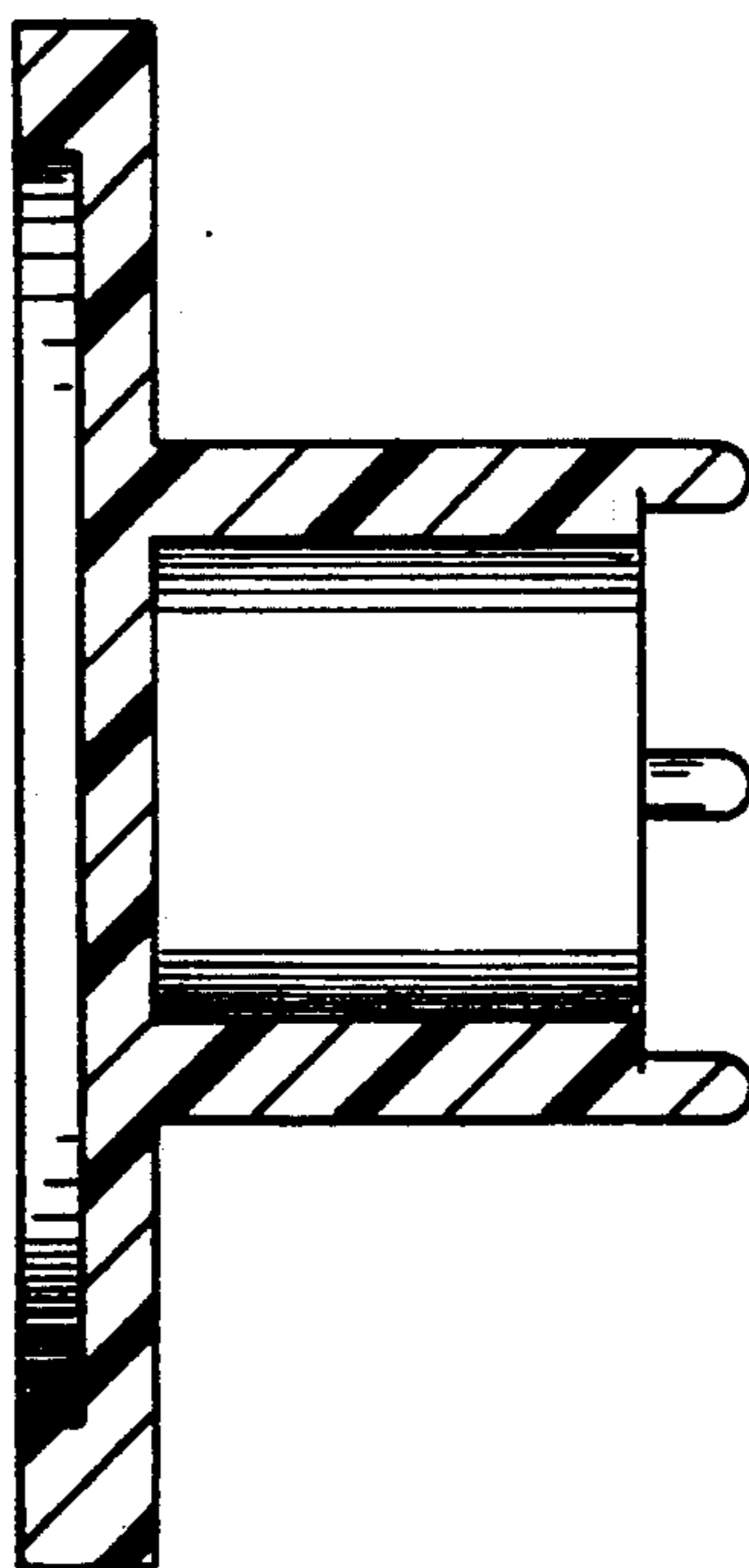


FIG. 5