



US00D324627S

United States Patent [19]

[11] Patent Number: **Des. 324,627**

Rellstab

[45] Date of Patent: **** Mar. 17, 1992**

[54] **COMBINED BEVERAGE COOLING AND STORAGE SYSTEM**

4,140,150 2/1979 Randell .
4,342,202 8/1982 Knutson .
4,478,052 10/1984 McDowell 62/457.1 X

[76] Inventor: **Edward F. Rellstab**, 1939 Alice Dr., Astor, Fla. 32002-7943

Primary Examiner—Terry A. Pfeffer
Attorney, Agent, or Firm—Terry M. Gernstein

[**] Term: **14 Years**

[57] **CLAIM**

[21] Appl. No.: **495,211**

The ornamental design for a combined beverage cooling and storage system, as shown and described.

[22] Filed: **Mar. 19, 1990**

[52] U.S. Cl. **D7/605**

DESCRIPTION

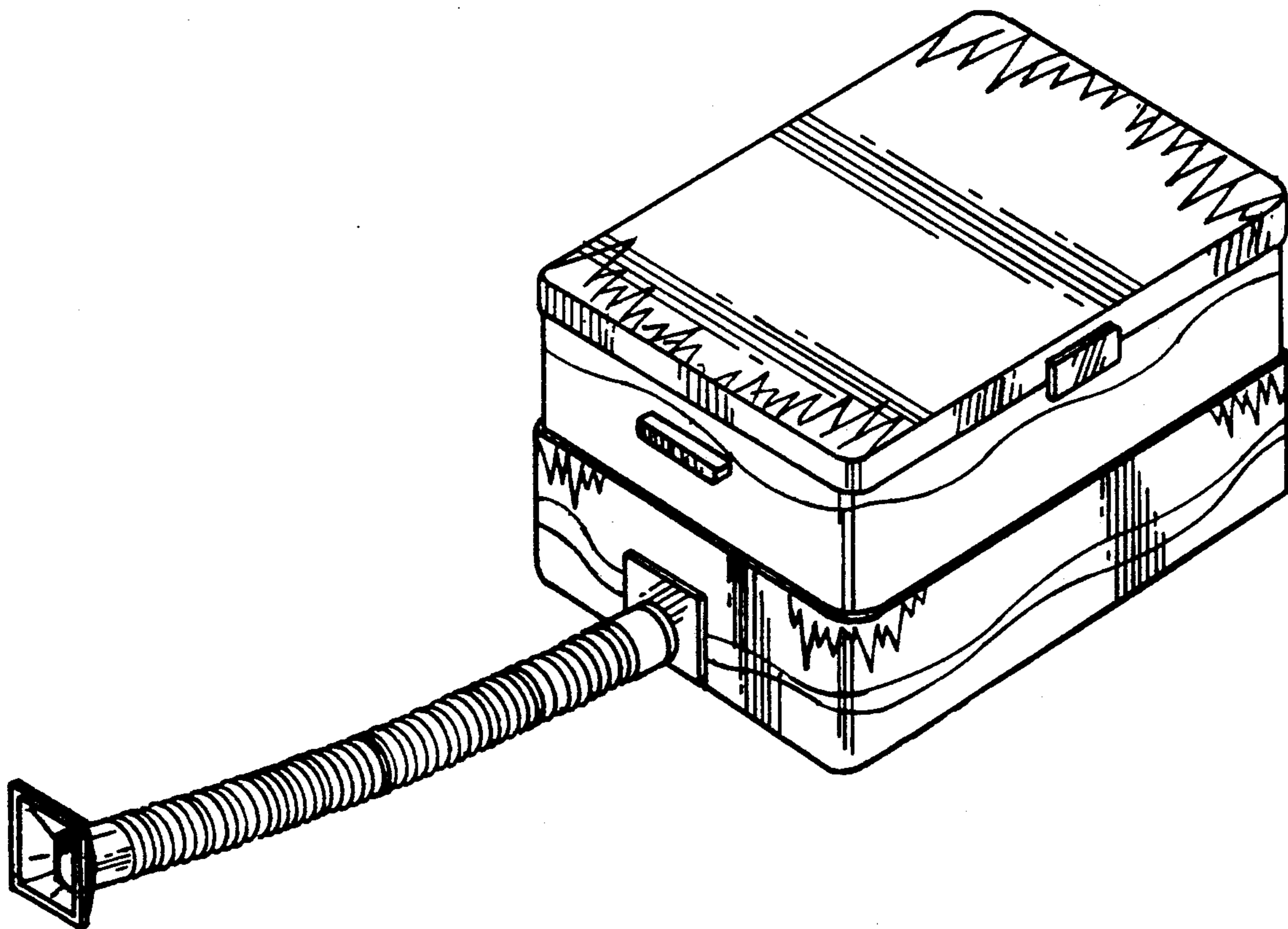
[58] Field of Search **D7/605-608;**
62/299, 243, 457.1, 457.9; 206/223, 541, 545,
549; 220/412

FIG. 1 is a perspective view of a combined beverage cooling and storage system showing my new design; FIG. 2 is a right side elevational view thereof; FIG. 3 is a rear elevational view thereof; FIG. 4 is a left side elevational view thereof; FIG. 5 is a front elevational view thereof; FIG. 6 is a top plan view thereof; and FIG. 7 is a bottom view thereof.

[56] **References Cited**

U.S. PATENT DOCUMENTS

1,924,494 8/1933 Gelinas D7/605 X
4,103,510 8/1978 Hall .



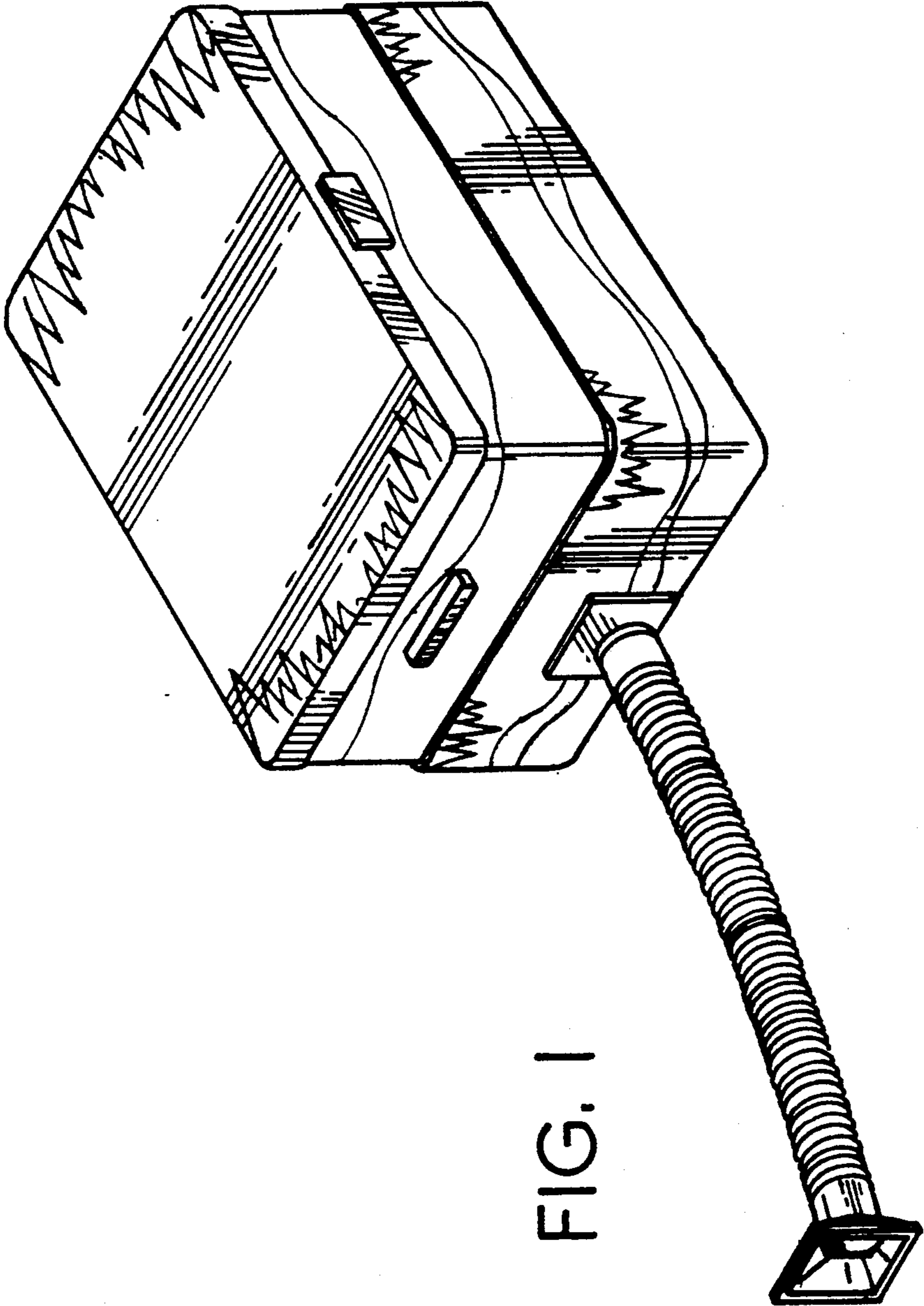


FIG. 1

FIG. 2

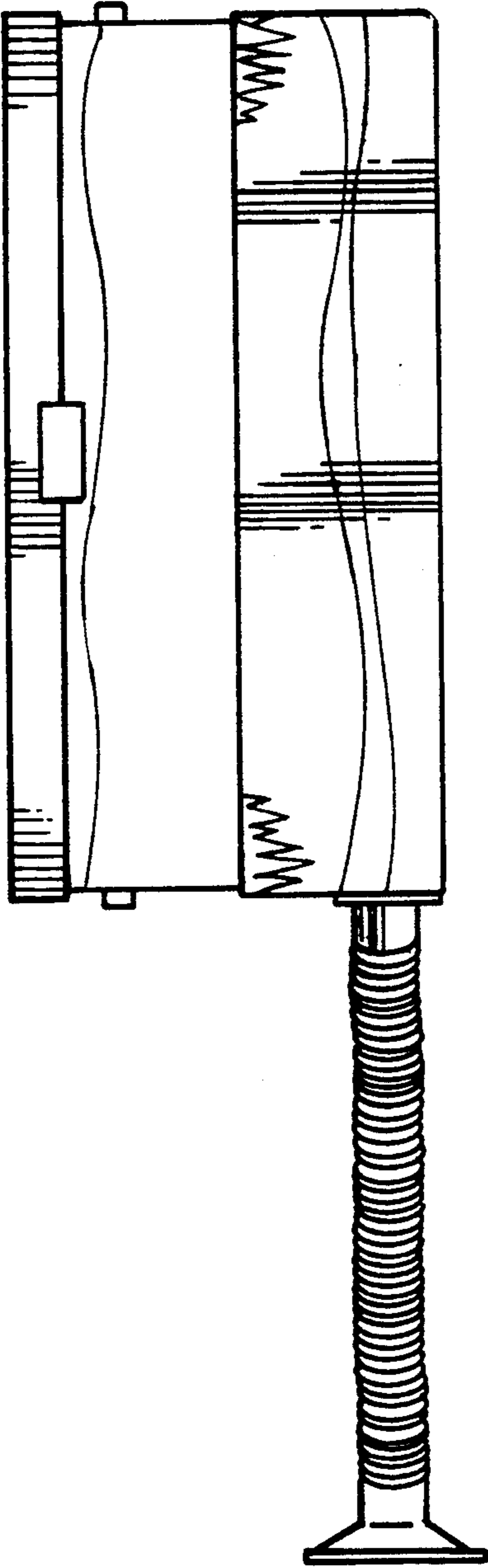
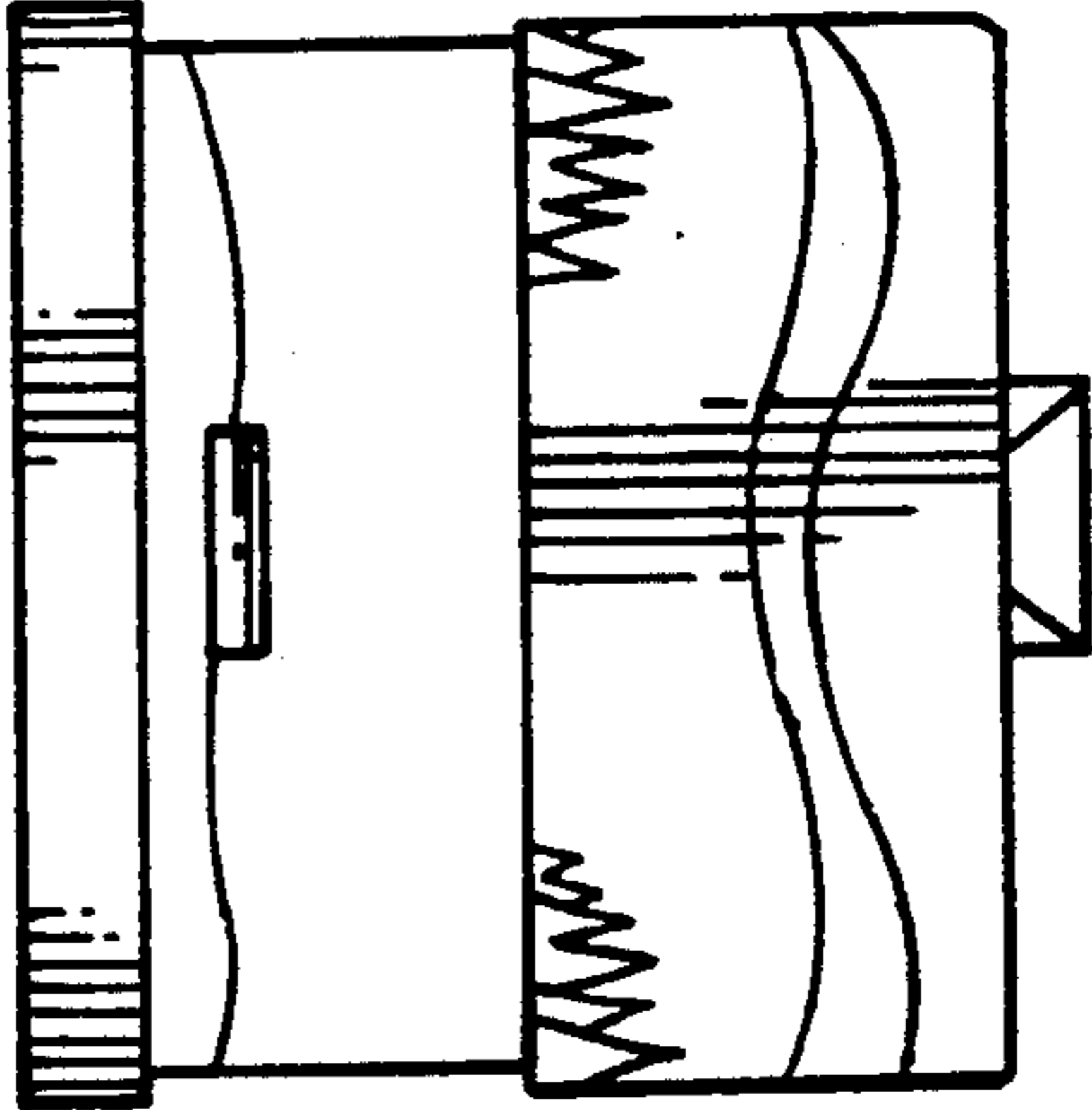


FIG. 3



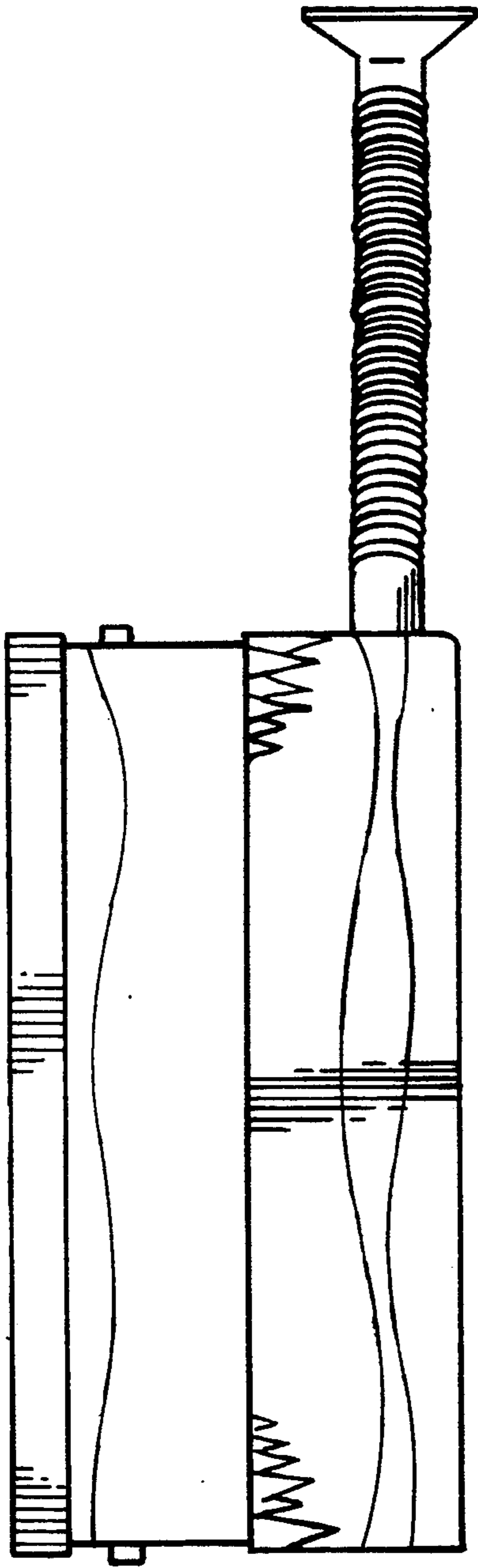


FIG. 4

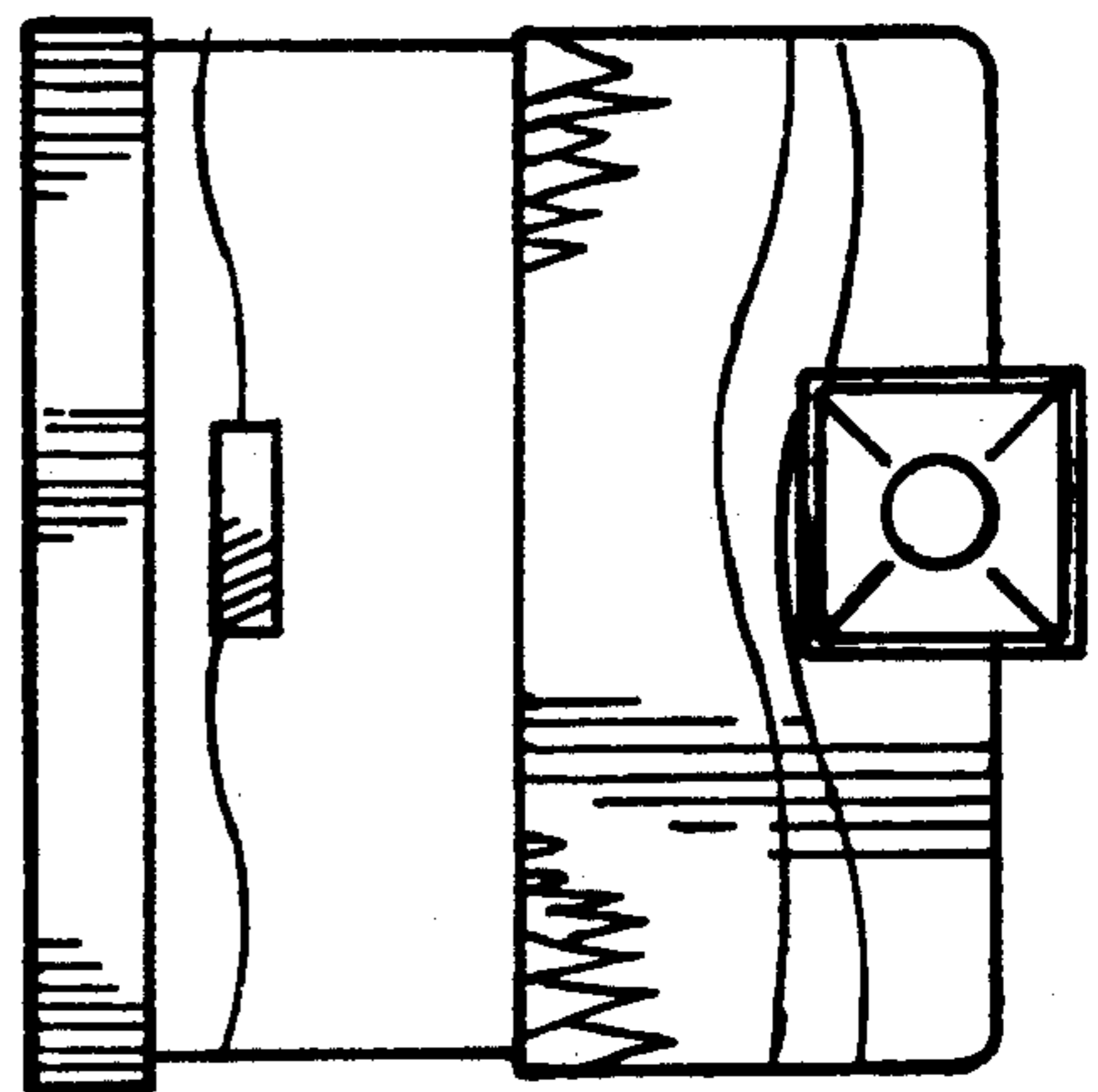


FIG. 5

