



US00D324623S

United States Patent [19]

[11] Patent Number: **Des. 324,623**

Oates, Jr.

[45] Date of Patent: **** Mar. 17, 1992**

[54] **COOKING GRILL**

[76] Inventor: **Willie B. Oates, Jr.**, 6714 Dorsey Dr., Columbus, Ga. 31907

[**] Term: **14 Years**

[21] Appl. No.: **446,405**

[22] Filed: **Dec. 5, 1989**

[52] U.S. Cl. **D7/337**

[58] Field of Search **D7/331-332, D7/335, 337-339; 126/25 R, 25 A, 25 AA, 25 B, 29-30, 27, 9 R, 38, 41 R**

[56] **References Cited**

U.S. PATENT DOCUMENTS

D. 191,970	12/1961	Hecht	D7/337
D. 237,243	10/1975	Faldt	D7/337
2,135,318	11/1938	Barkinsky et al.	D7/367

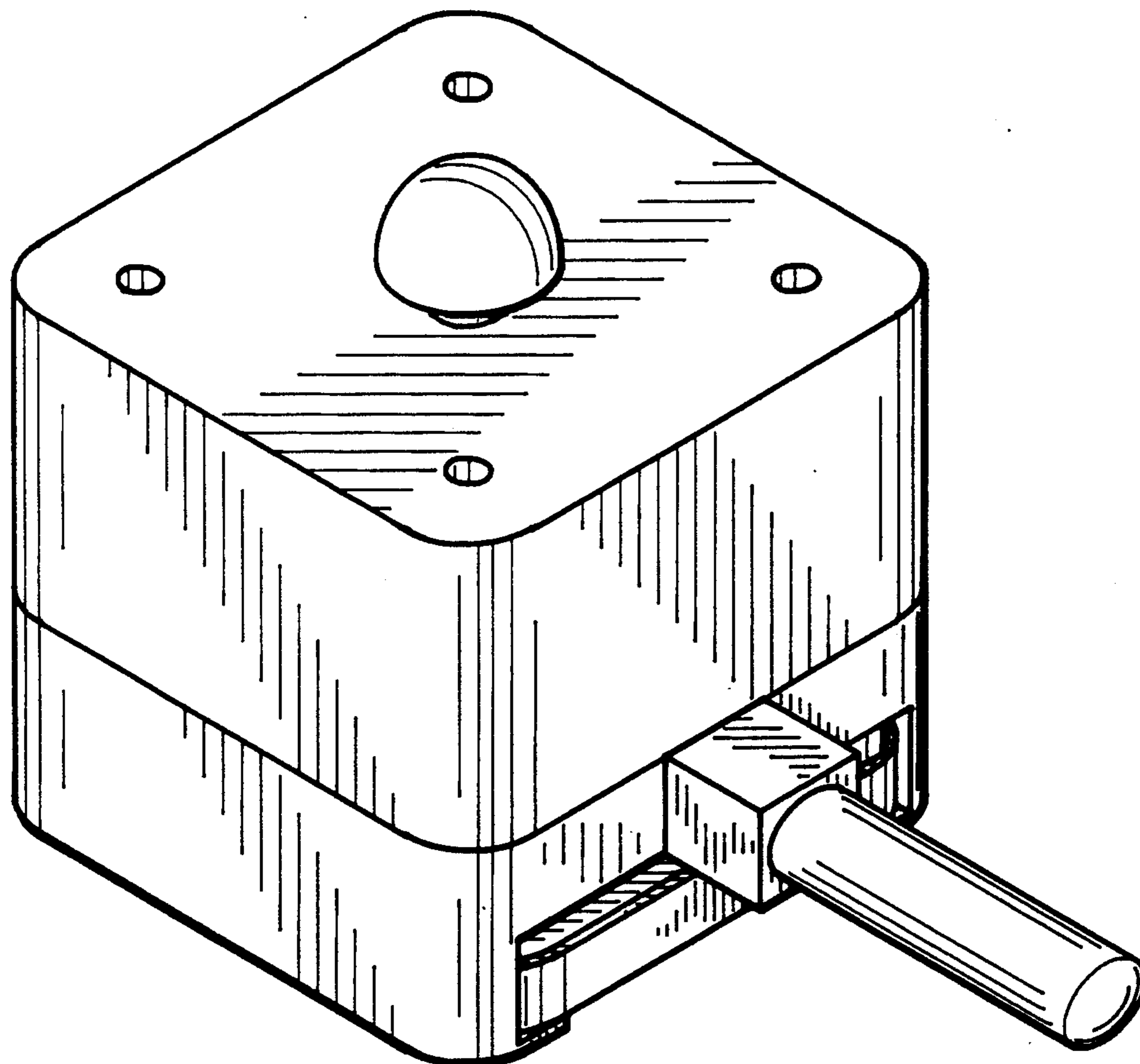
Primary Examiner—A. Hugo Word
Assistant Examiner—R. McInroy
Attorney, Agent, or Firm—Leon Gilden

[57] **CLAIM**

The ornamental design for a cooking grill as shown and described.

DESCRIPTION

FIG. 1 is an exploded front elevational view of a cooking grill showing my new design; FIG. 2 is an exploded rear elevational view thereof; FIG. 3 is an exploded left side elevational view thereof; FIG. 4 is an exploded right side elevational view thereof; FIG. 5 is a top plan view thereof; FIG. 6 is a bottom plan view thereof; FIG. 7 is an exploded top perspective view thereof; and FIG. 8 is a top perspective view in an assembled condition.



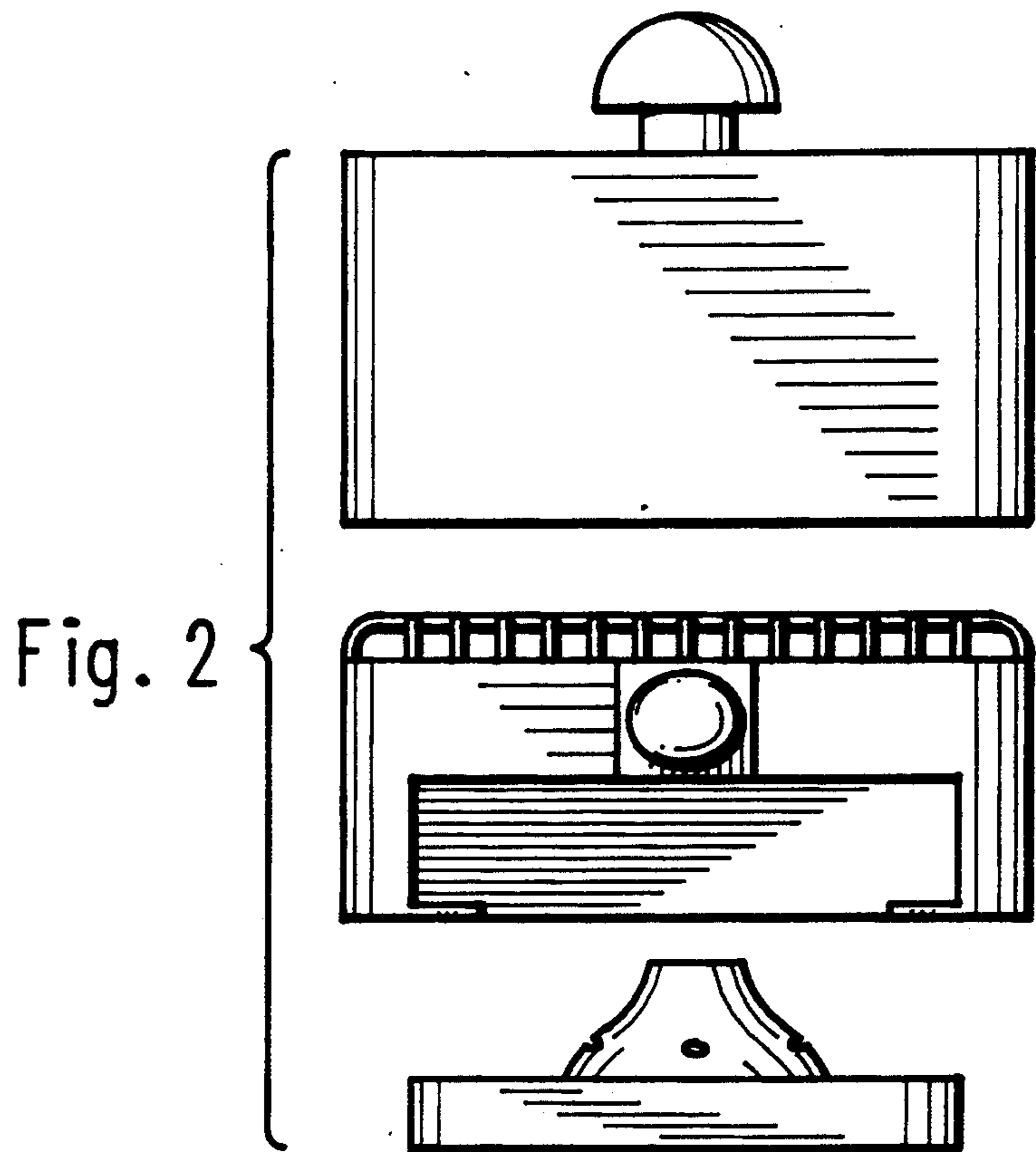
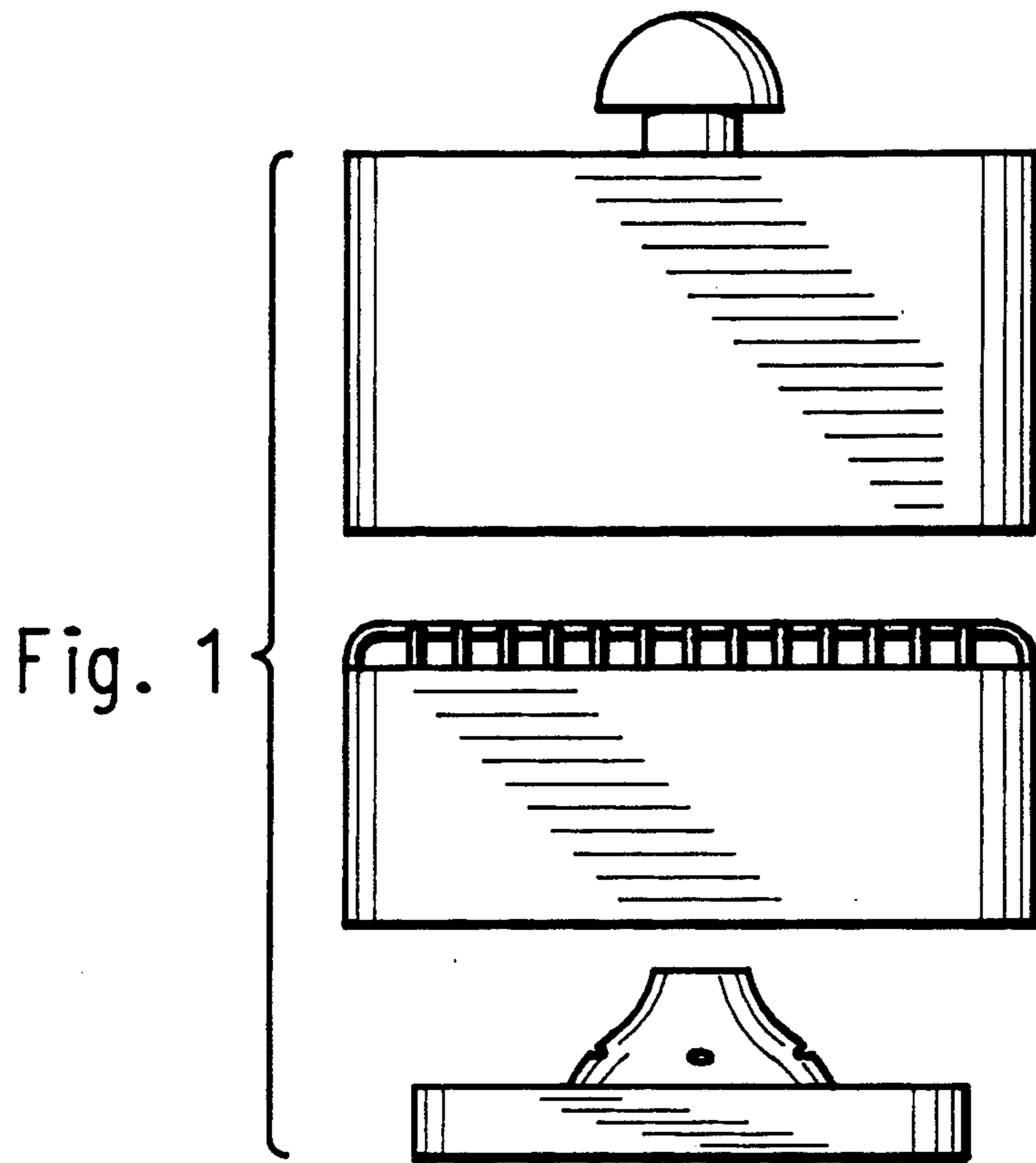


Fig. 3

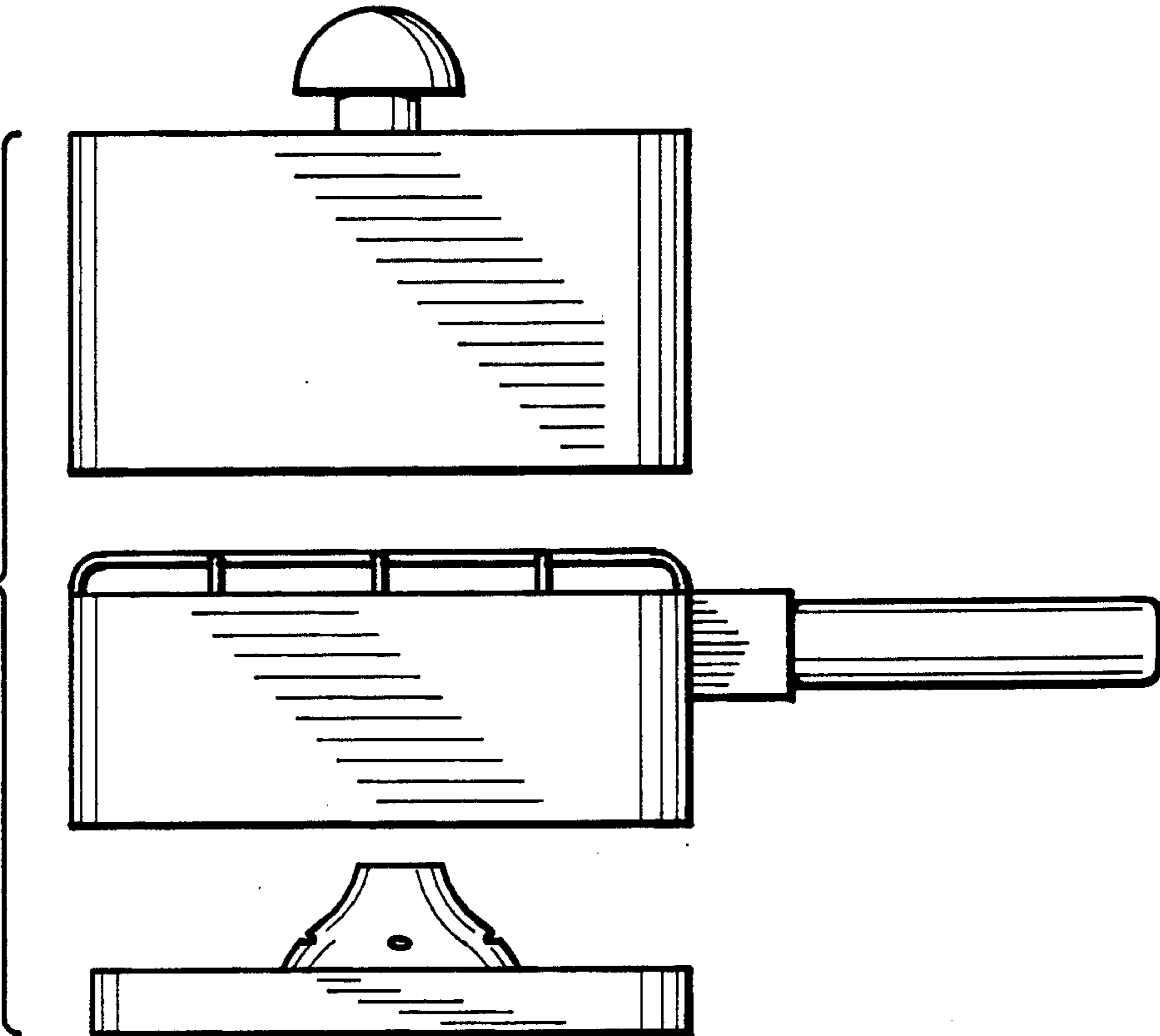
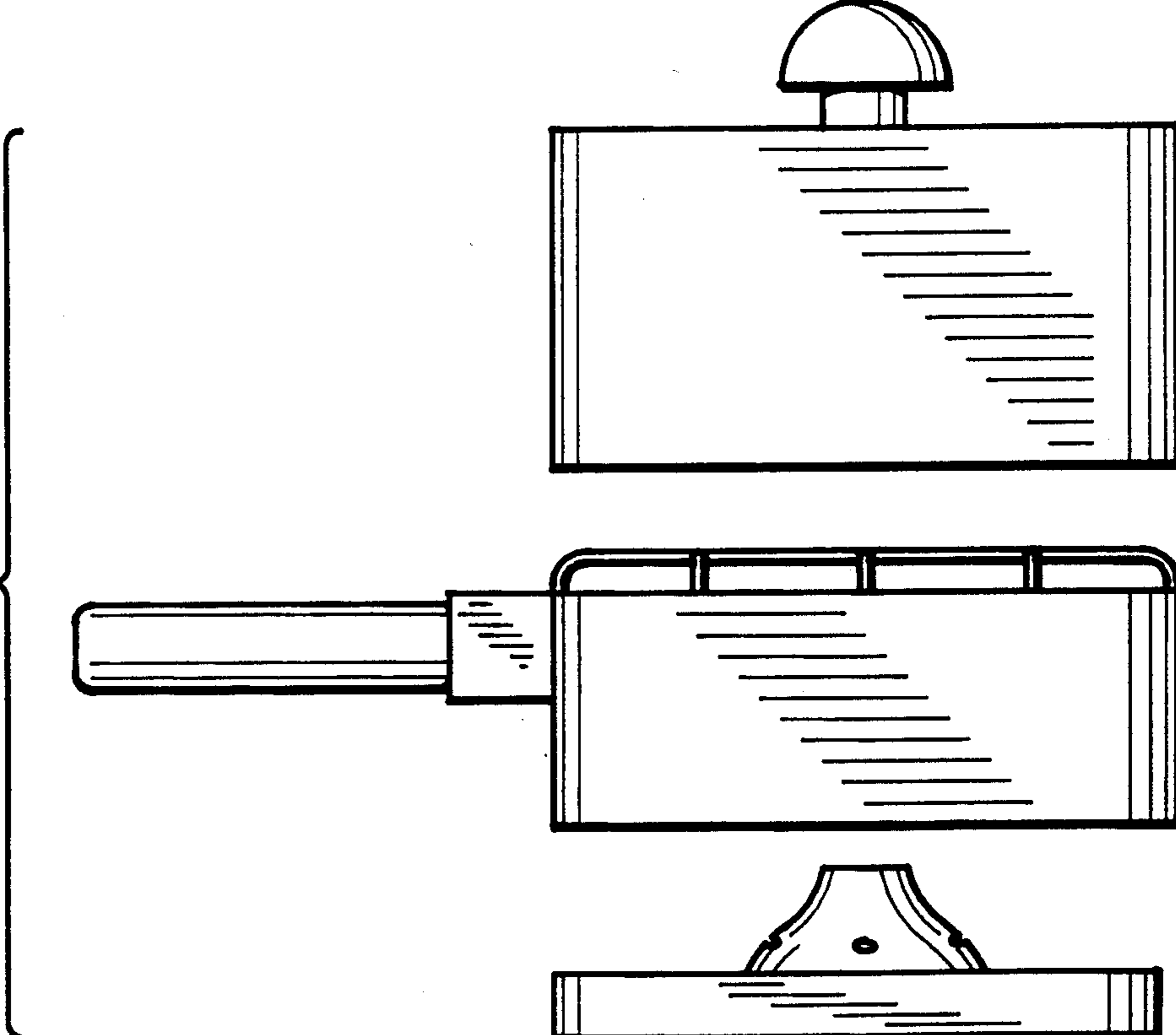


Fig. 4



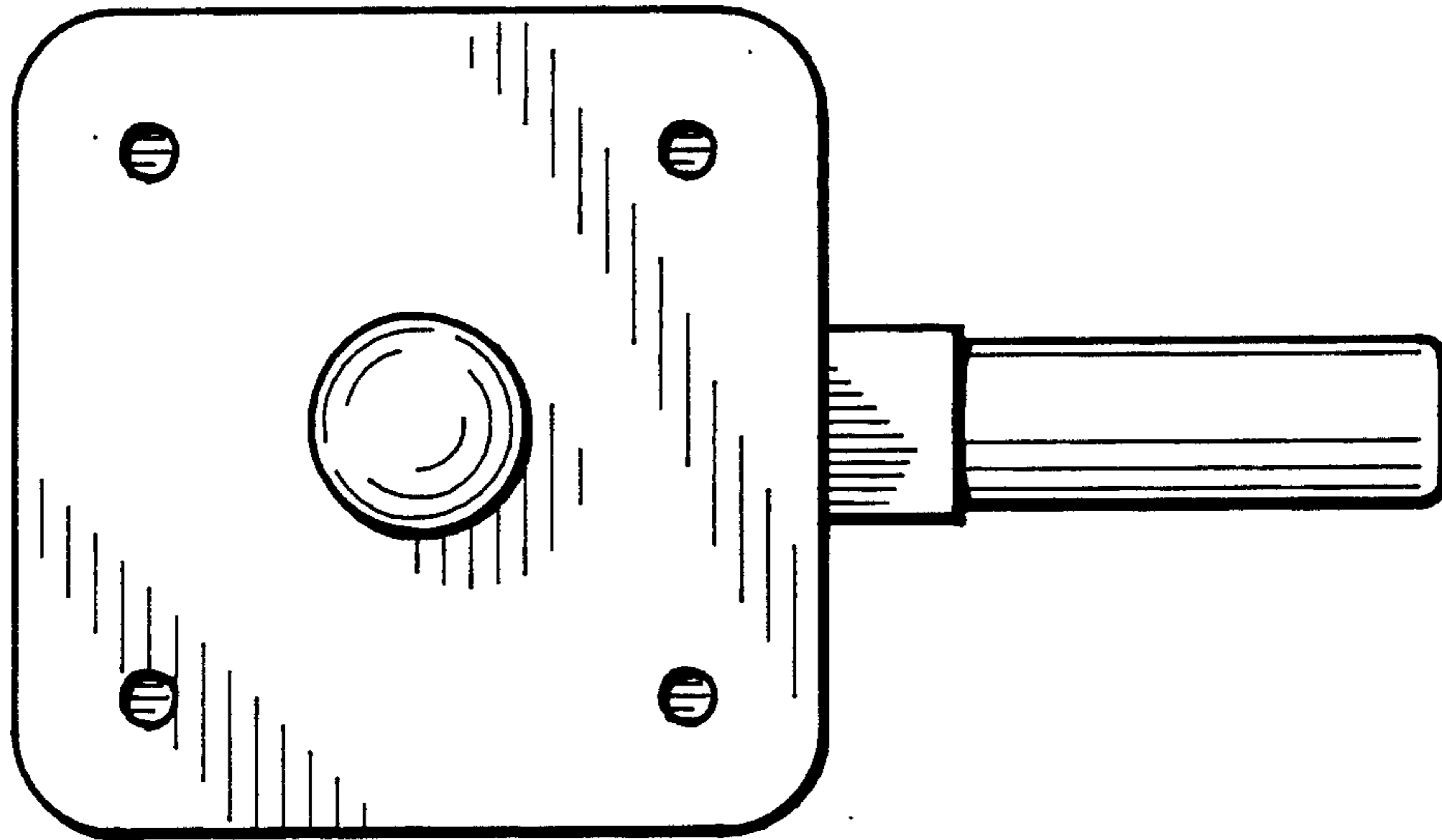


Fig. 5

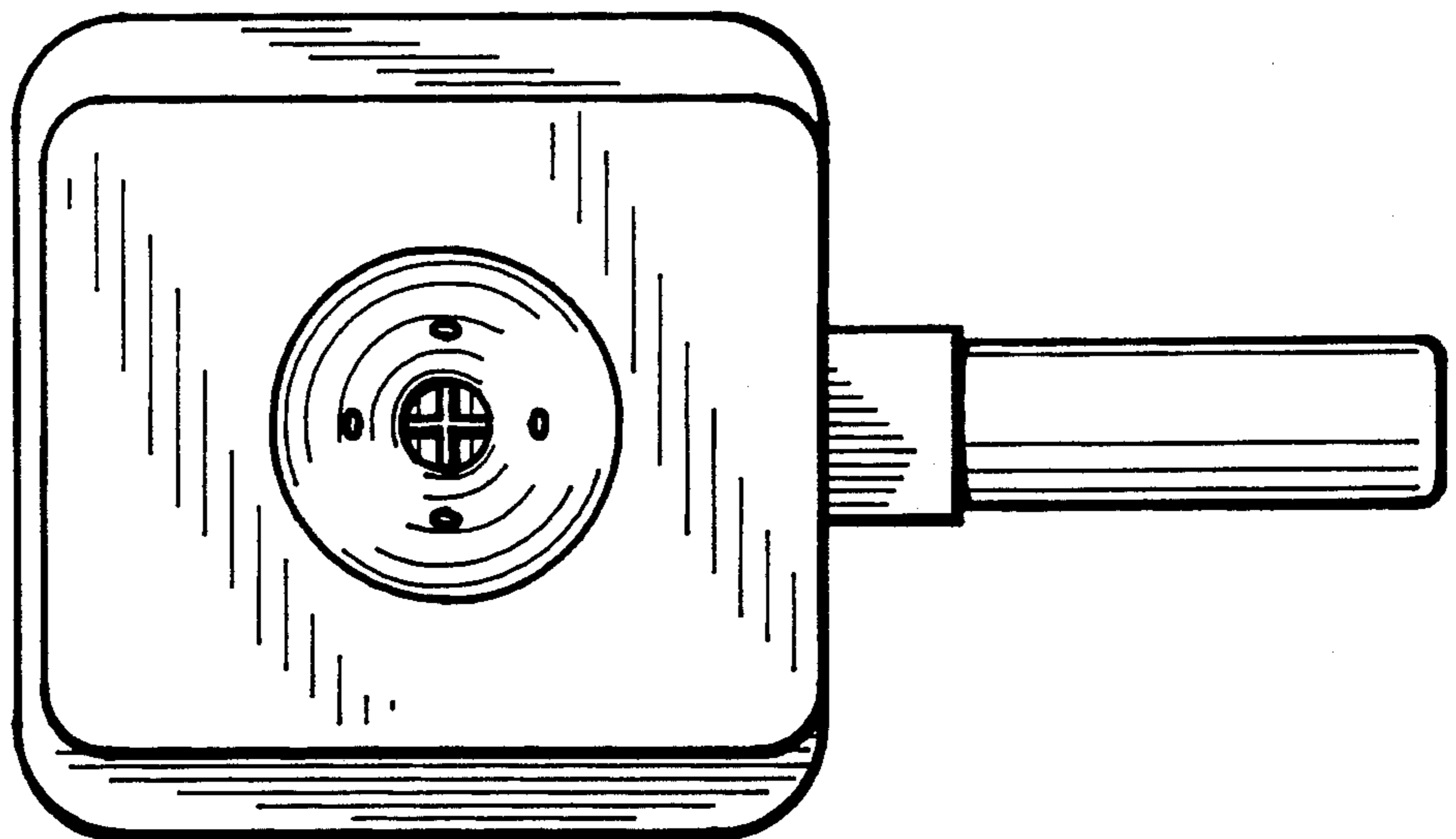
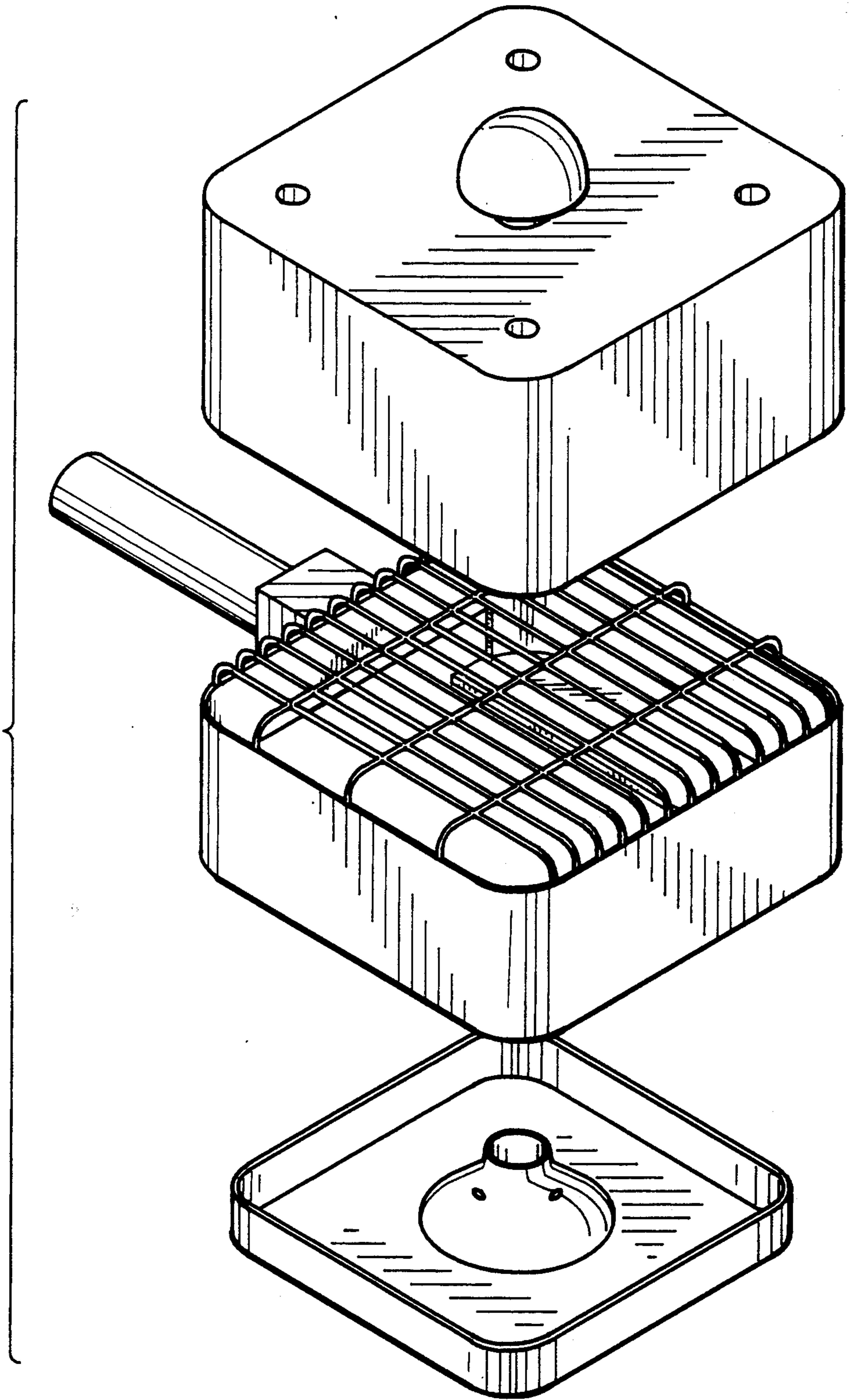


Fig. 6

Fig. 7



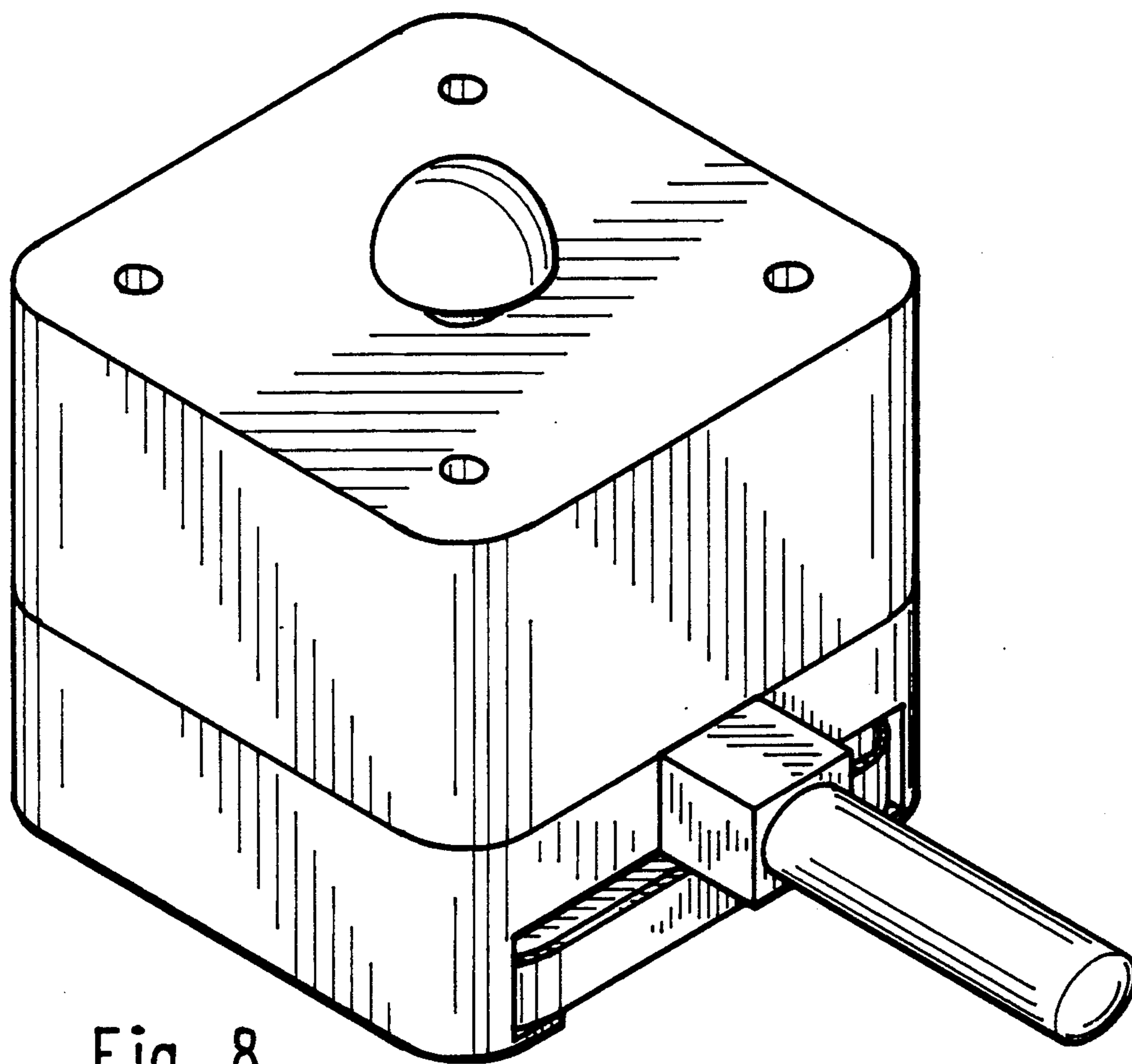


Fig. 8