



US00D324621S

United States Patent [19]

Haslacher

[11] Patent Number: **Des. 324,621**

[45] Date of Patent: **** Mar. 17, 1992**

[54] **ESPRESSO MACHINE**

4,644,856 2/1987 Borgmann D7/309 X

[75] Inventor: **Thomas Haslacher**, Starnberg, Fed. Rep. of Germany

[73] Assignee: **Arthur Eugster AG**, Romanshorn, Switzerland

[**] Term: **14 Years**

[21] Appl. No.: **453,810**

[22] Filed: **Dec. 18, 1989**

[30] Foreign Application Priority Data

Jun. 20, 1989 [DE] Fed. Rep. of Germany ... M8904430

[52] U.S. Cl. **D7/309; D7/311**

[58] Field of Search **D7/300, 305, 309, 308, D7/312, 311**

[56] References Cited

U.S. PATENT DOCUMENTS

D. 299,998 2/1989 Seiffert D7/311 X

D. 318,973 8/1991 Hasslacher D7/309 X

4,323,171 4/1982 Whorton, III et al. D7/311 X

OTHER PUBLICATIONS

Design 420, Dec., 1983; p. 49, Espresso Machine at top right by Salton.

Schoner Wohnen, Oct., 1984; p. 114, Espresso Machines in top row-left by "Gaggia" and right by Vapore Plus.

Primary Examiner—Winifred E. Herrmann
Attorney, Agent, or Firm—Darby & Darby

[57] CLAIM

The ornamental design for an espresso machine, as shown and described.

DESCRIPTION

FIG. 1 is a front perspective view of an espresso machine showing my new design;

FIG. 2 is a right-hand side elevational view thereof;

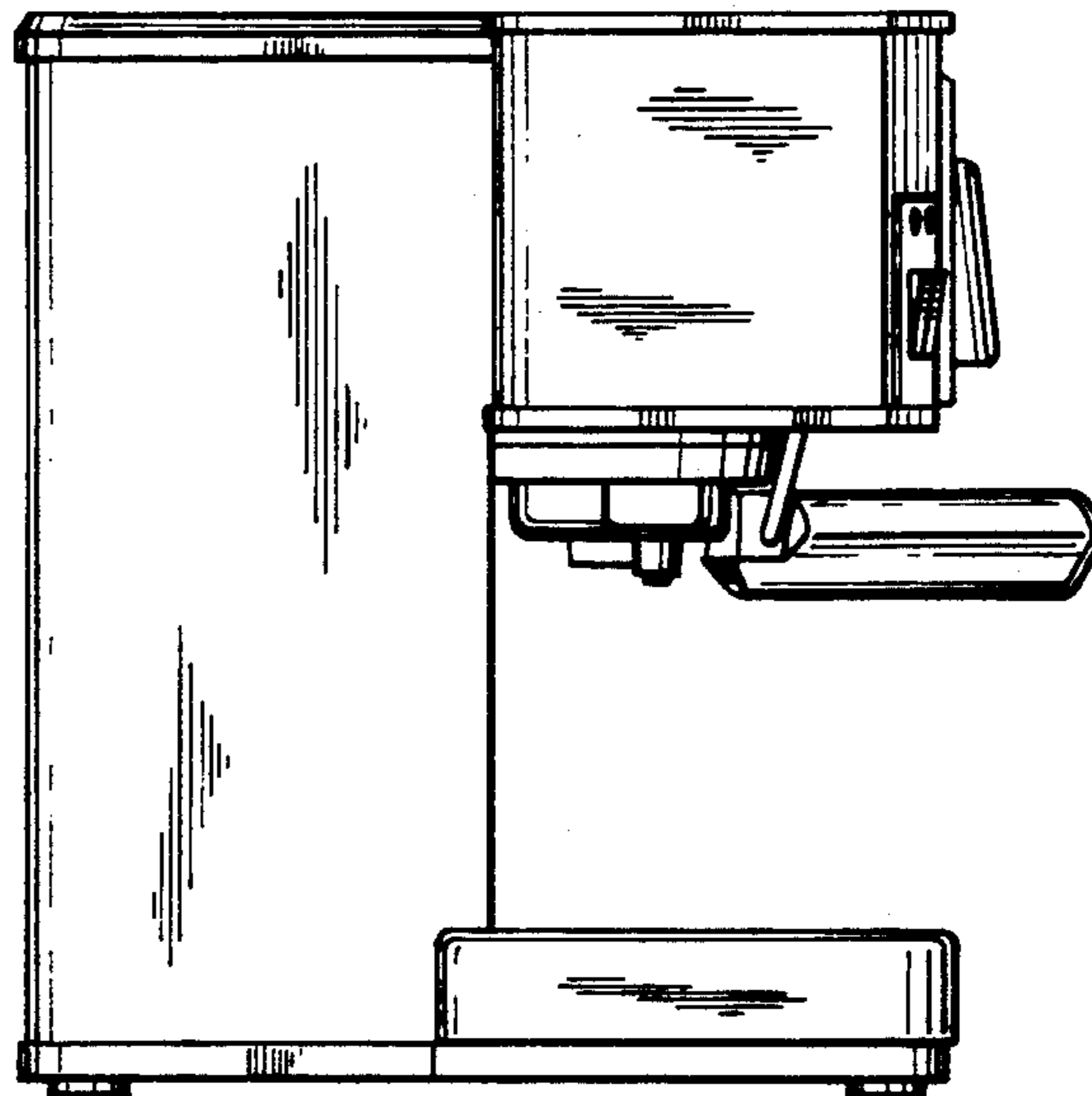
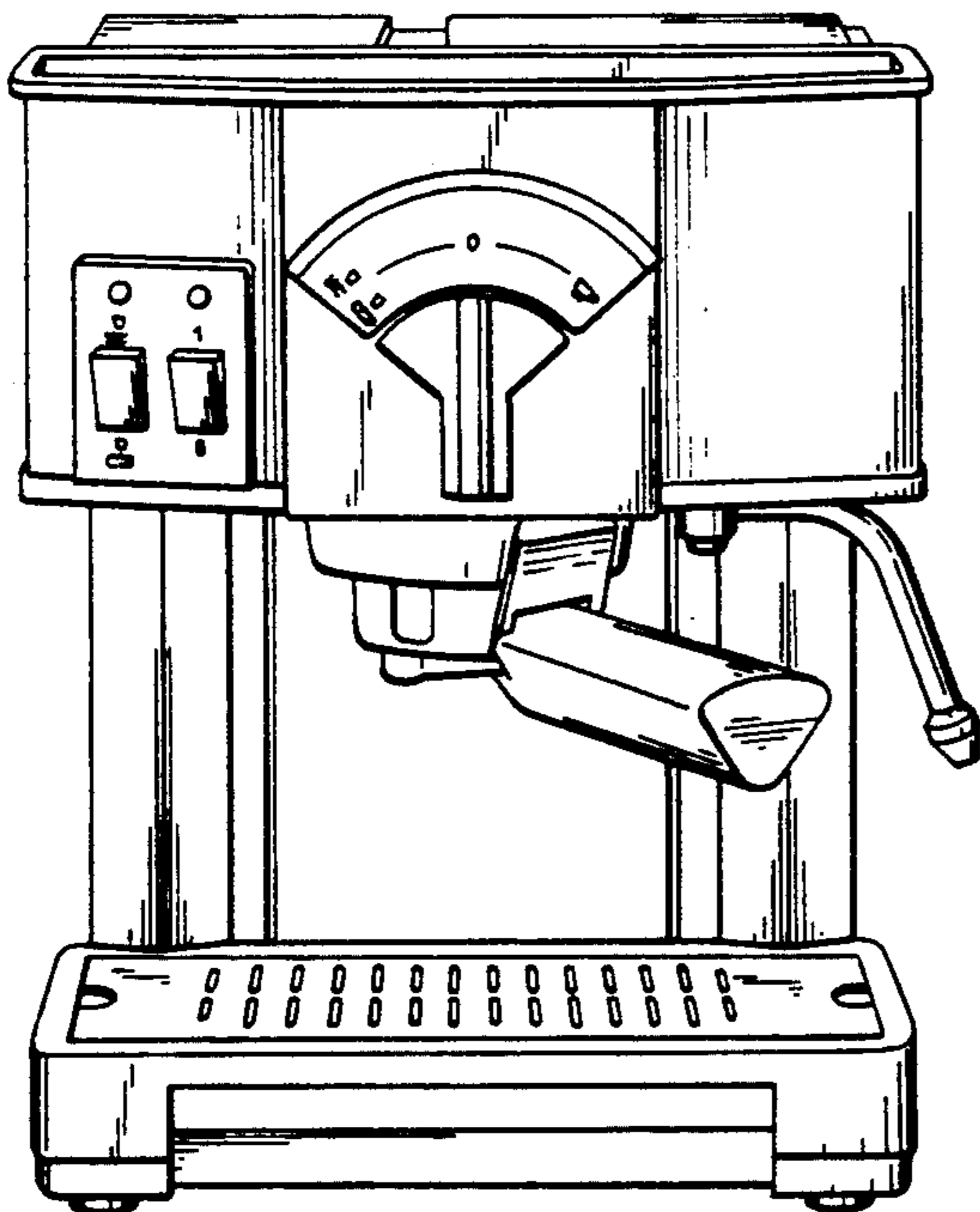
FIG. 3 is a front elevational view thereof;

FIG. 4 is a left-hand side elevational view thereof;

FIG. 5 is a rear elevational view thereof; and

FIG. 6 is a top plan view thereof.

The undisclosed bottom surface is conventional in appearance.



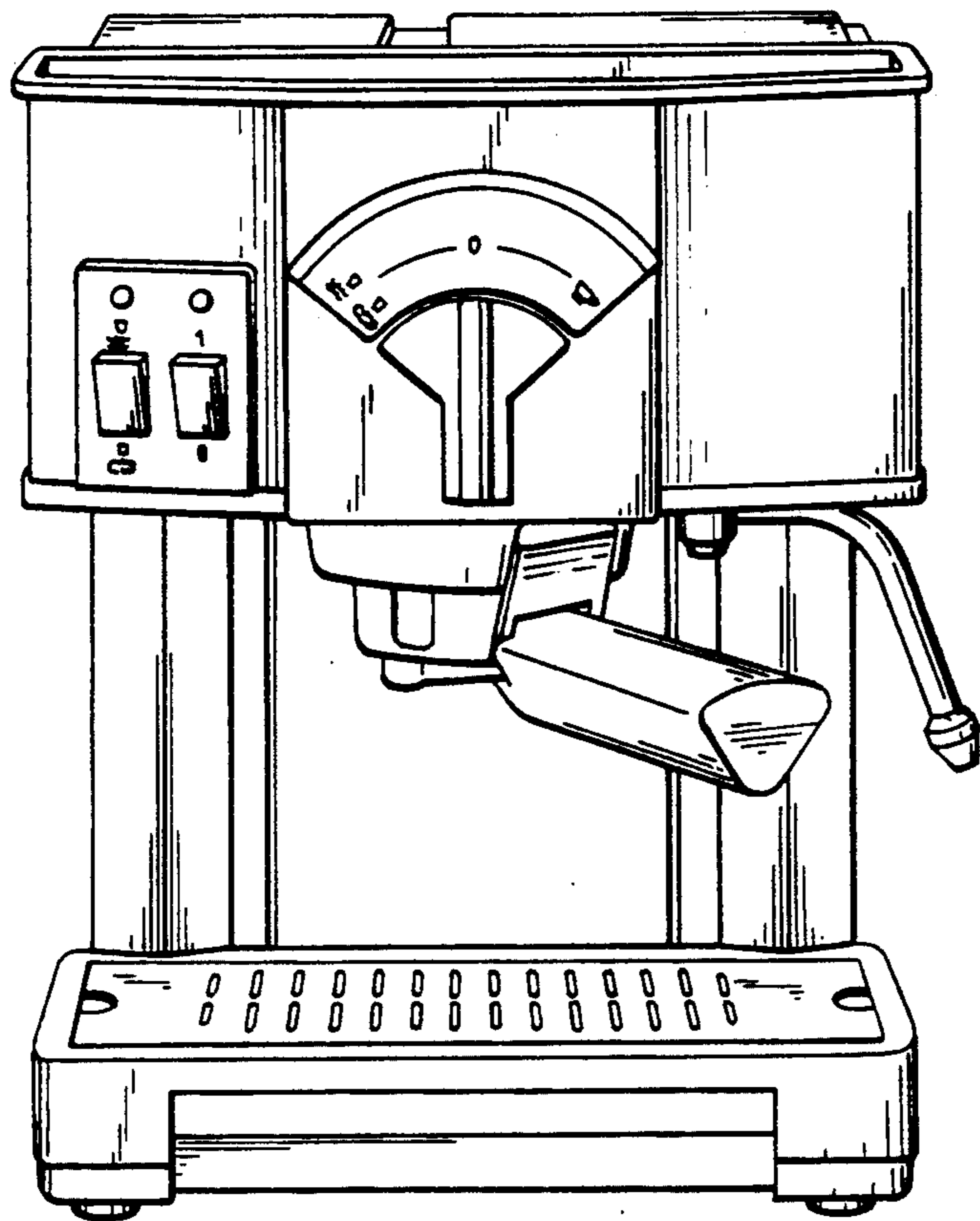


FIG. 1

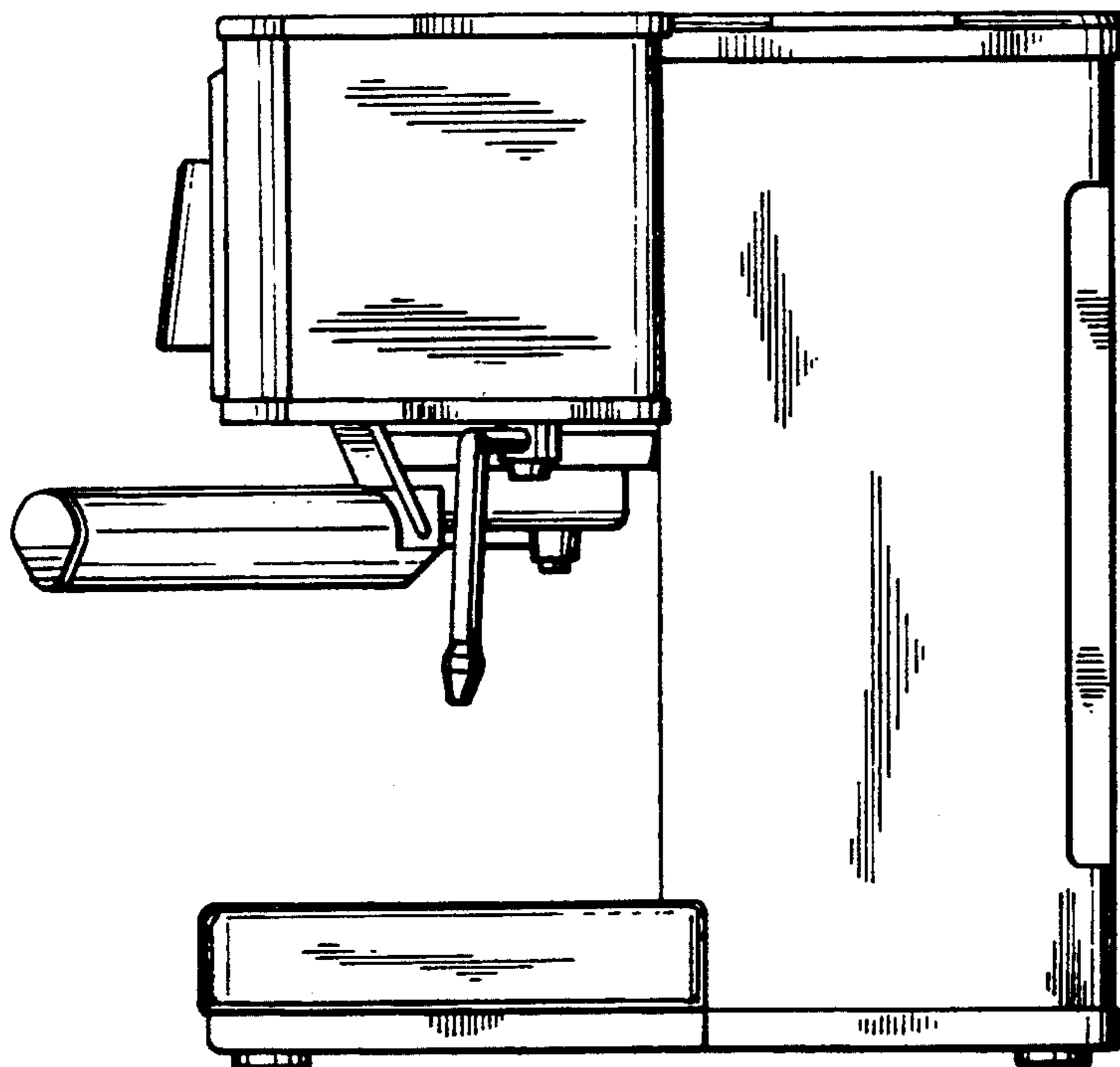


FIG. 2

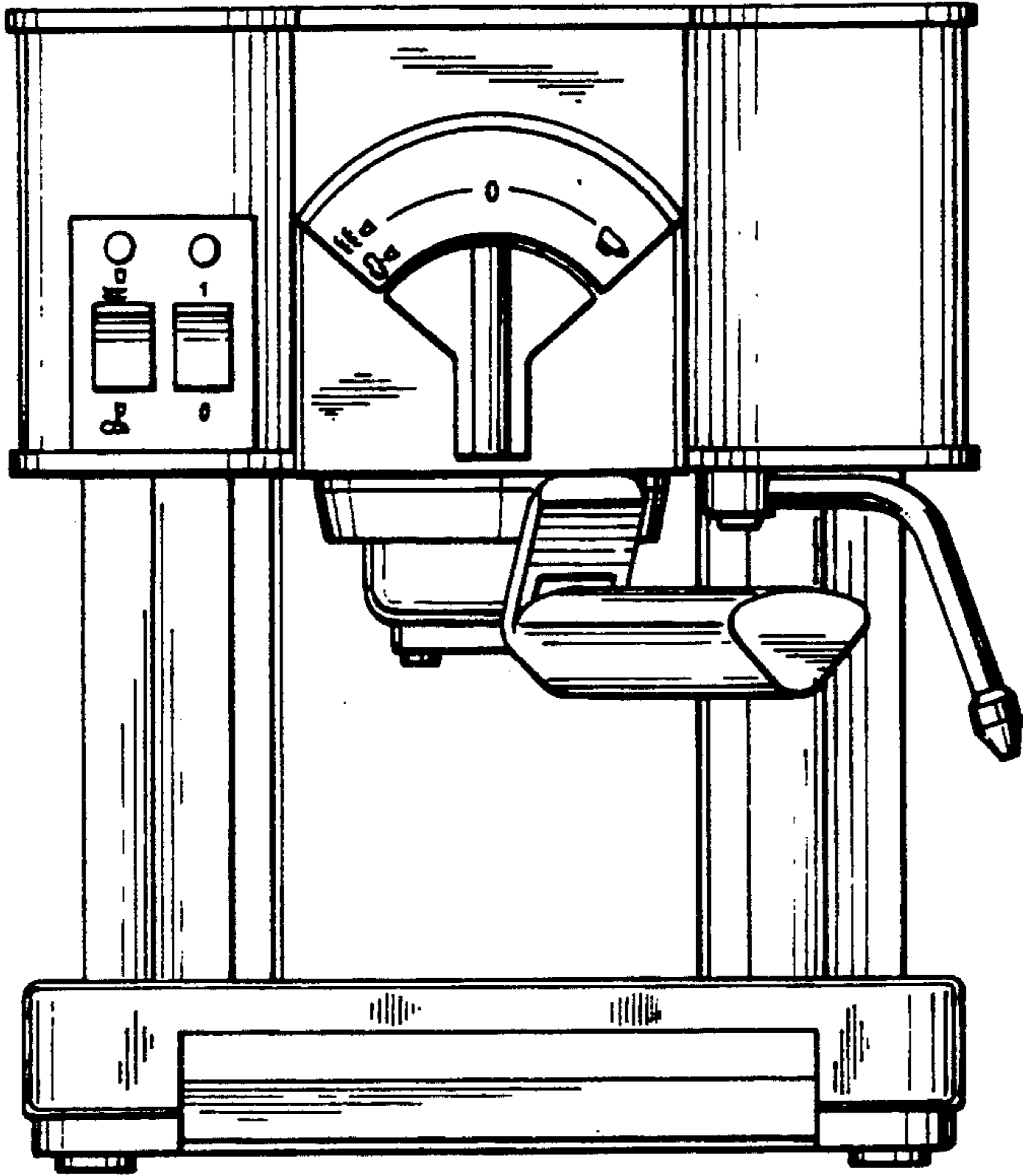


FIG. 3

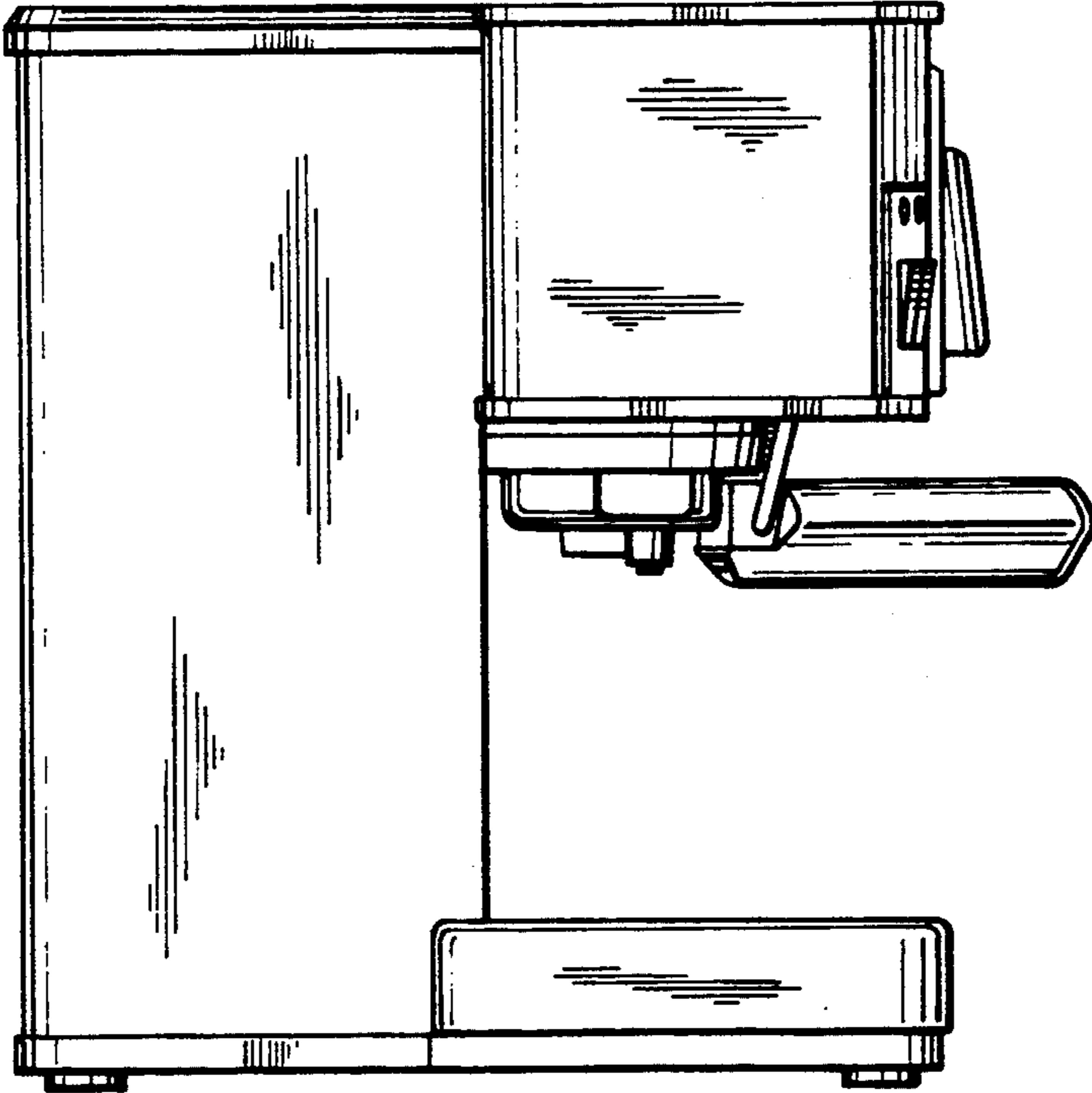


FIG. 4

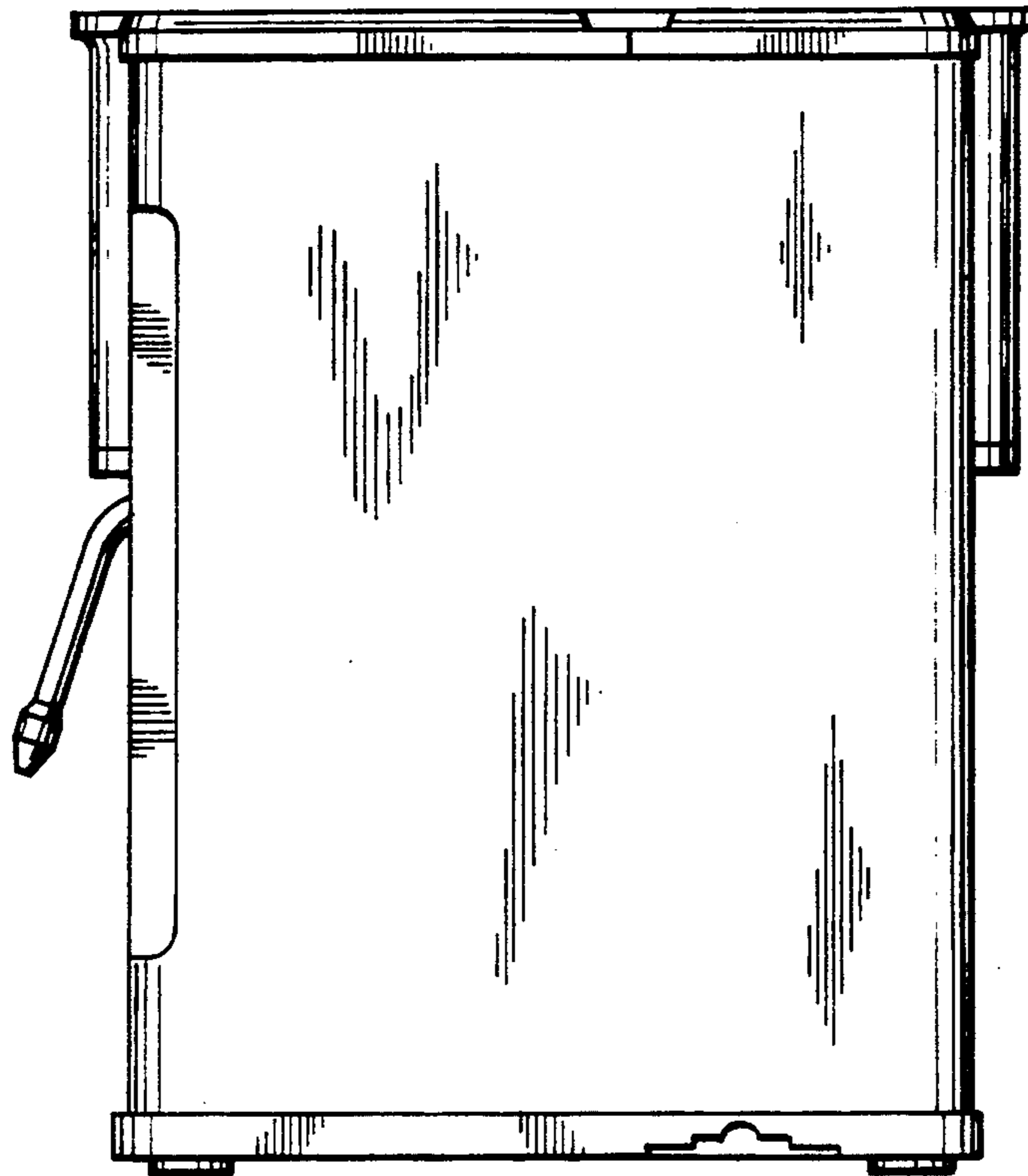


FIG. 5

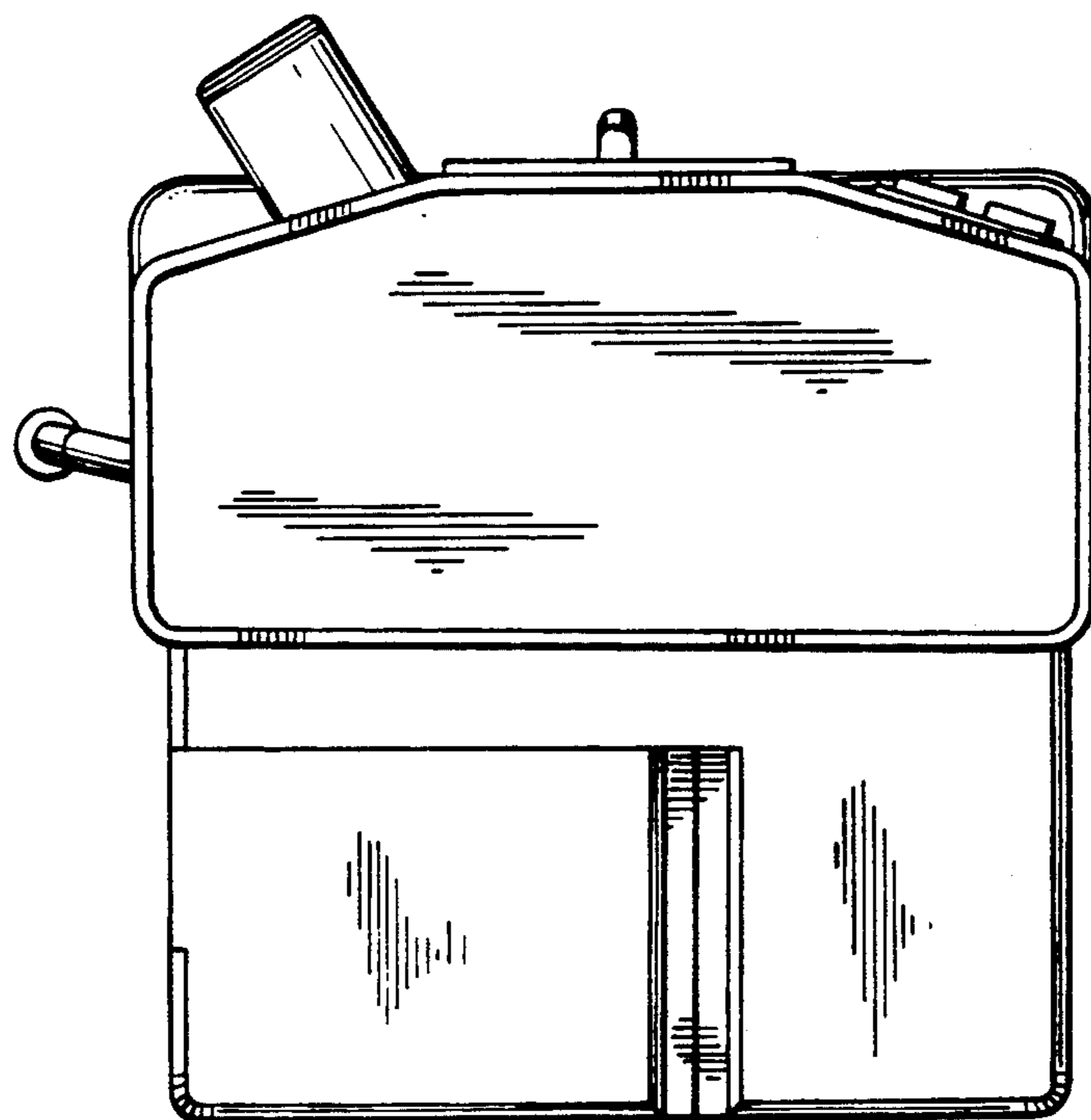


FIG. 6