



US00D324620S

United States Patent [19]

[11] Patent Number: **Des. 324,620**

Chalot

[45] Date of Patent: ** Mar. 17, 1992

[54] ELECTRIC TOWEL RACK

[76] Inventor: **Dominique Chalot**, 71, rue de Saussure, Paris 17ème, France

[**] Term: **14 Years**

[21] Appl. No.: **388,808**

[22] Filed: **Aug. 3, 1989**

[30] Foreign Application Priority Data

Feb. 13, 1989 [FR] France 890797

[52] U.S. Cl. **D6/548; D6/410**

[58] Field of Search D6/512, 524-525, D6/546, 548, 410, 315, 317; 211/13, 16, 26, 105.2, 123, 182; 312/37, 236; D23/328, 330; D32/58, 63; 237/1 R; 219/211-212, 385-386, 469

[56] References Cited

U.S. PATENT DOCUMENTS

D. 275,719 10/1984 Ritchey D6/411
3,172,539 3/1965 Rulf D6/411
4,757,906 7/1988 Ovitz, III 211/182 X

OTHER PUBLICATIONS

Paul Associates Catalogue (1983) p. 27'Heated Towel Bar.

Williams-Sonoma Catalogue (1985) p. 61,—Electric Hot Towel Rack.

House & Garden (Sep., 1960) p. 79—Towel Tree.

Primary Examiner—Brian N. Vinson

Attorney, Agent, or Firm—Cushman, Darby & Cushman

[57] CLAIM

The ornamental design for an electric towel rack, as shown and described.

DESCRIPTION

FIG. 1 is a front elevational view of an electric towel rack showing my new design;

FIG. 2 is a right end elevational view thereof;

FIG. 3 is a rear elevational view thereof;

FIG. 4 is a left end elevational view thereof;

FIG. 5 is a bottom plan view thereof; and

FIG. 6 is a top plan view thereof.

The electrical cord element is shown broken-away to indicate indeterminate length.

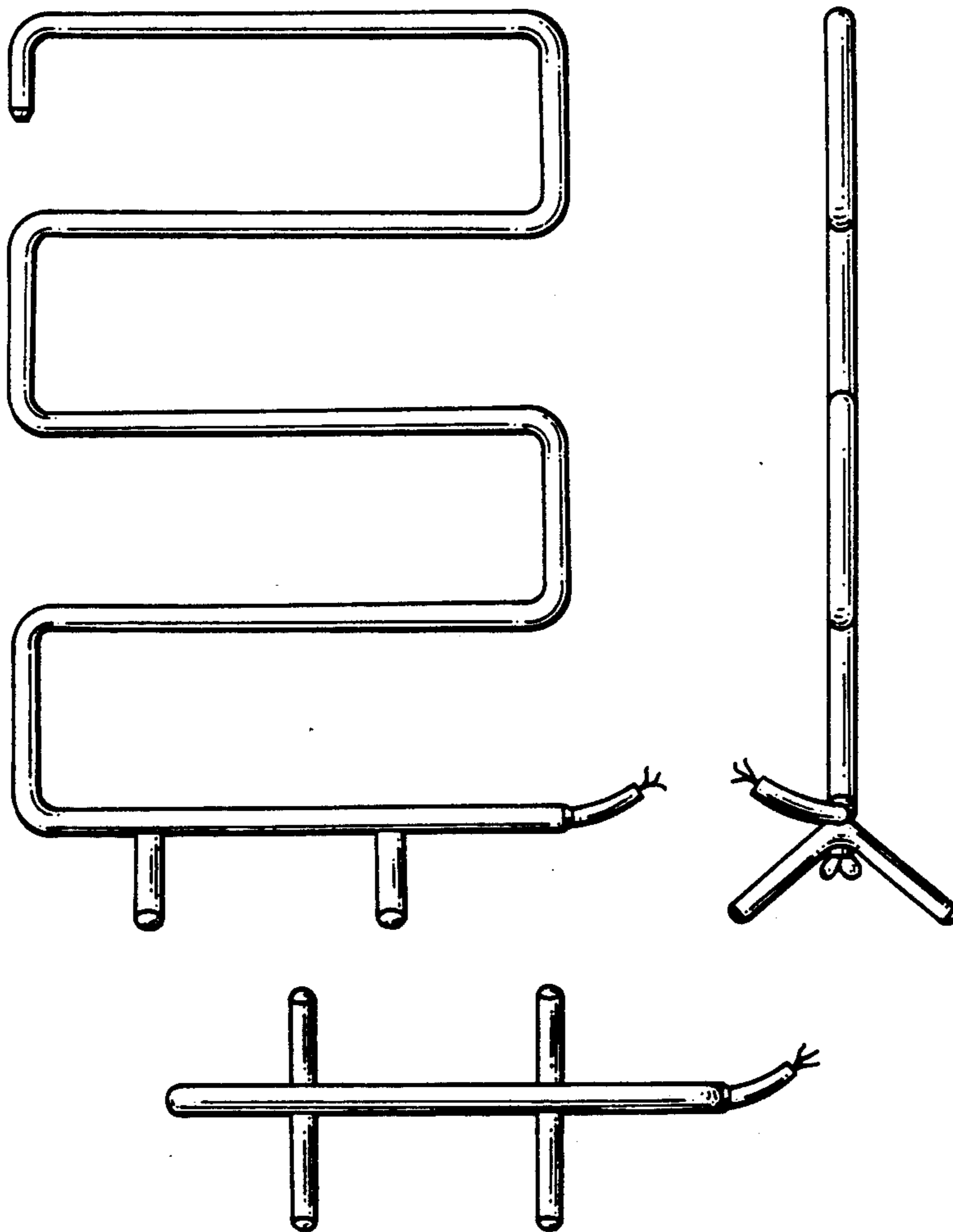


FIG. 5

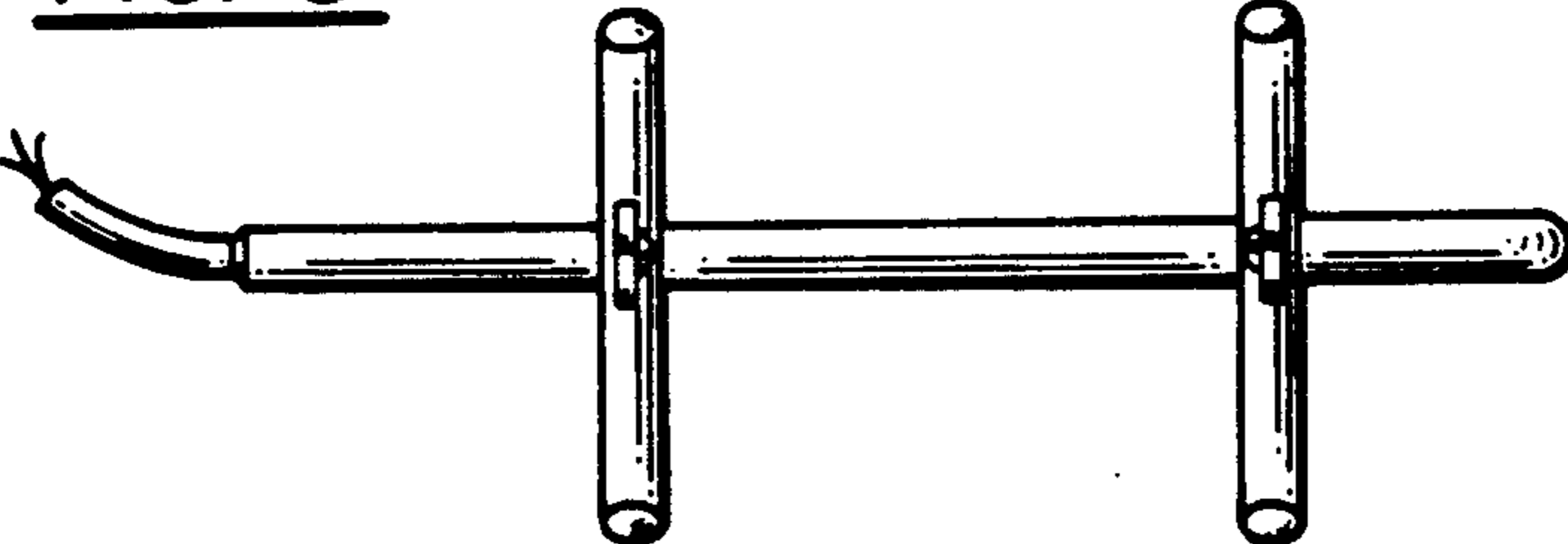


FIG. 1

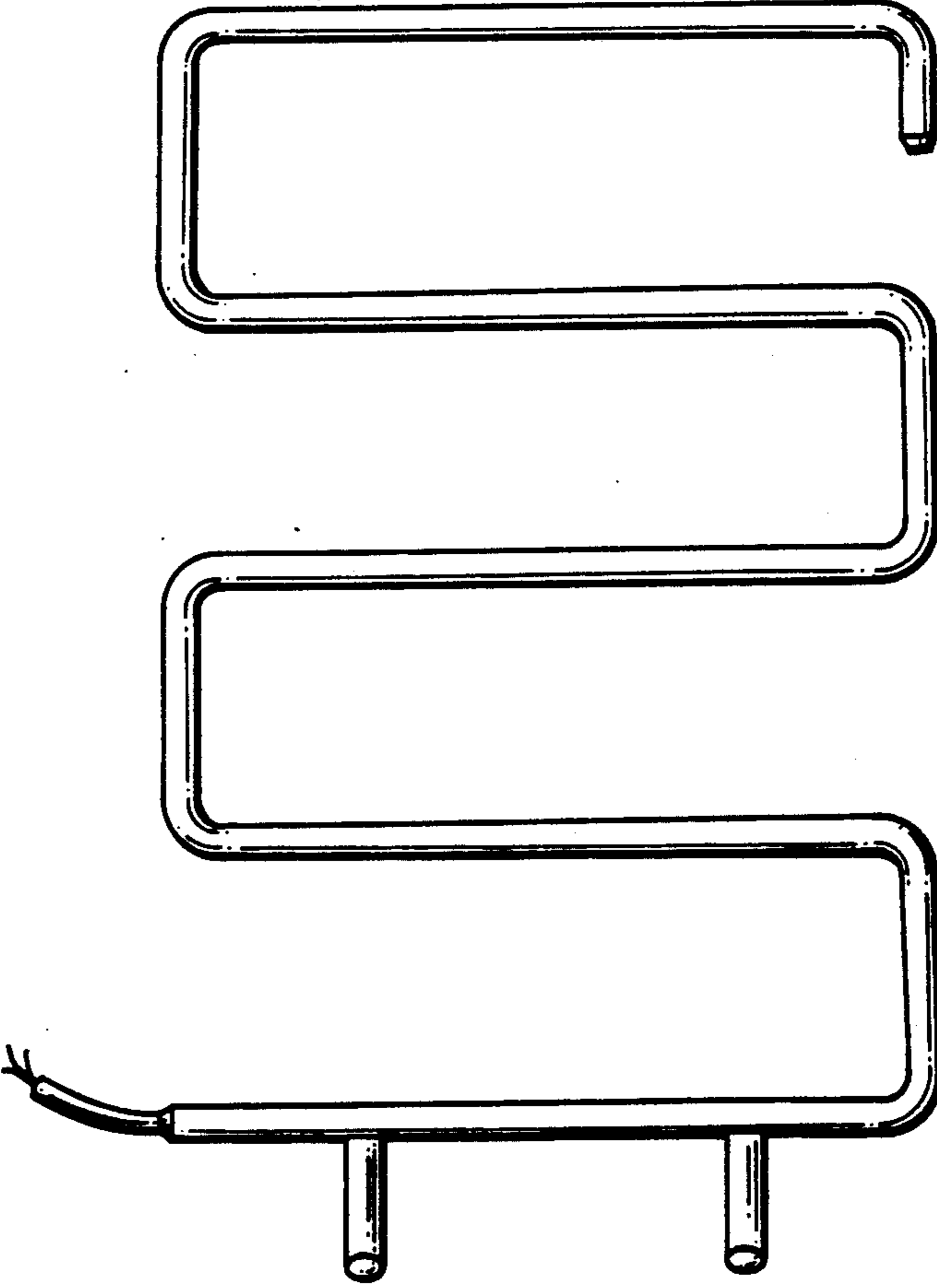


FIG. 2

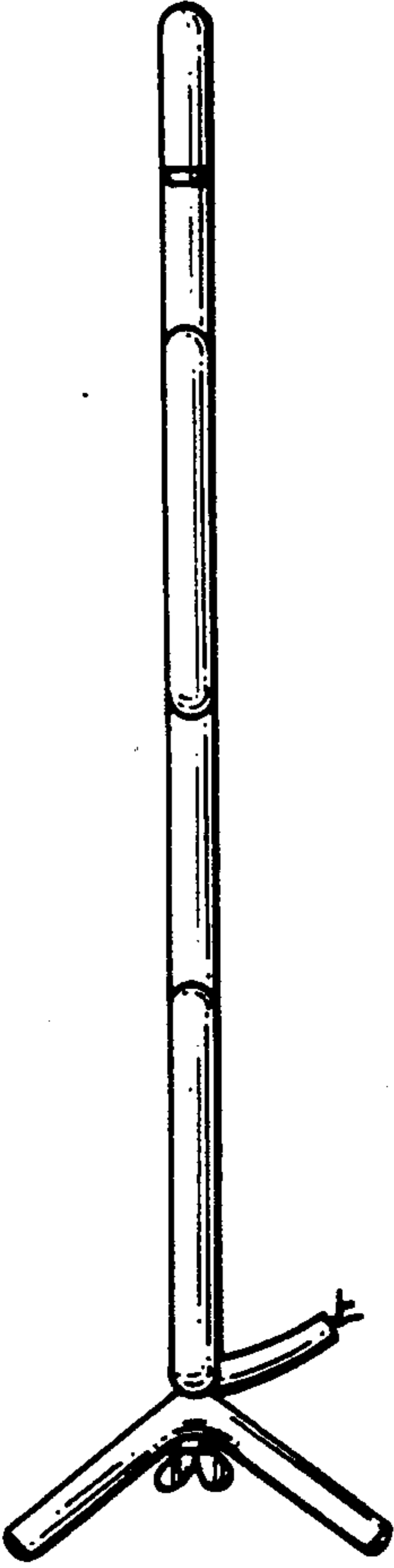


FIG. 6

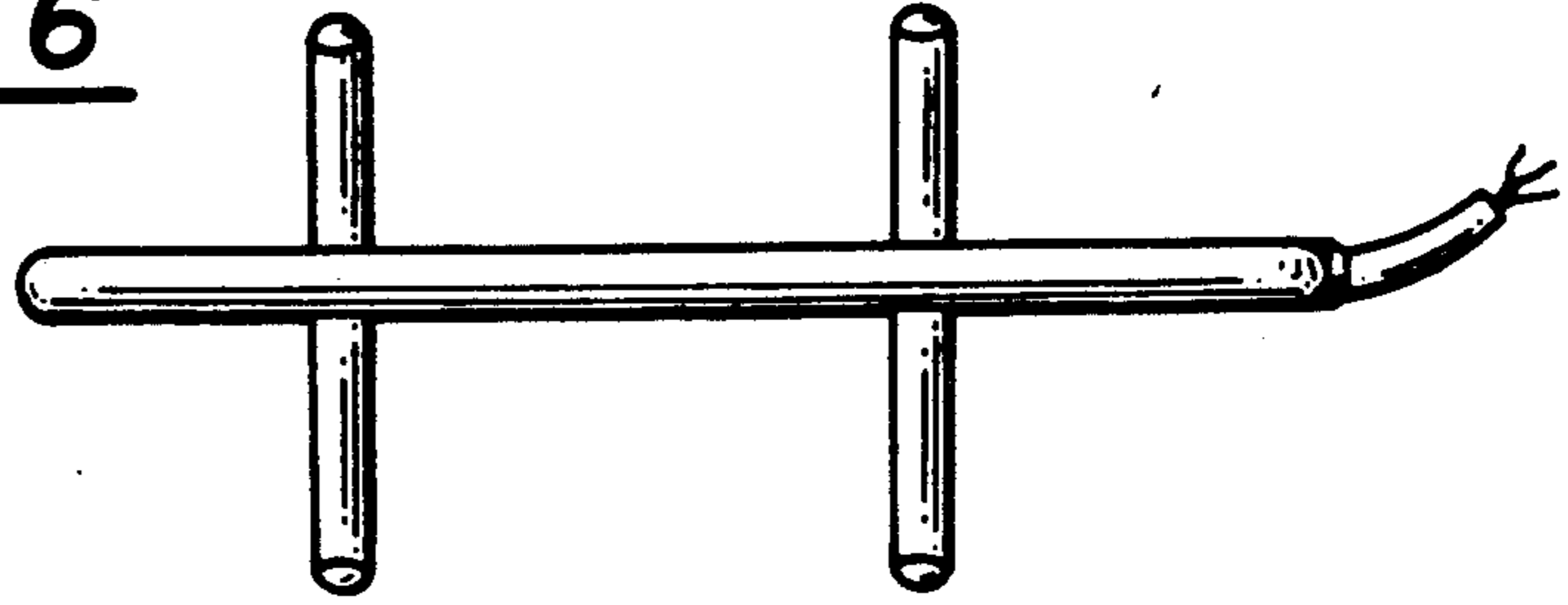


FIG. 4

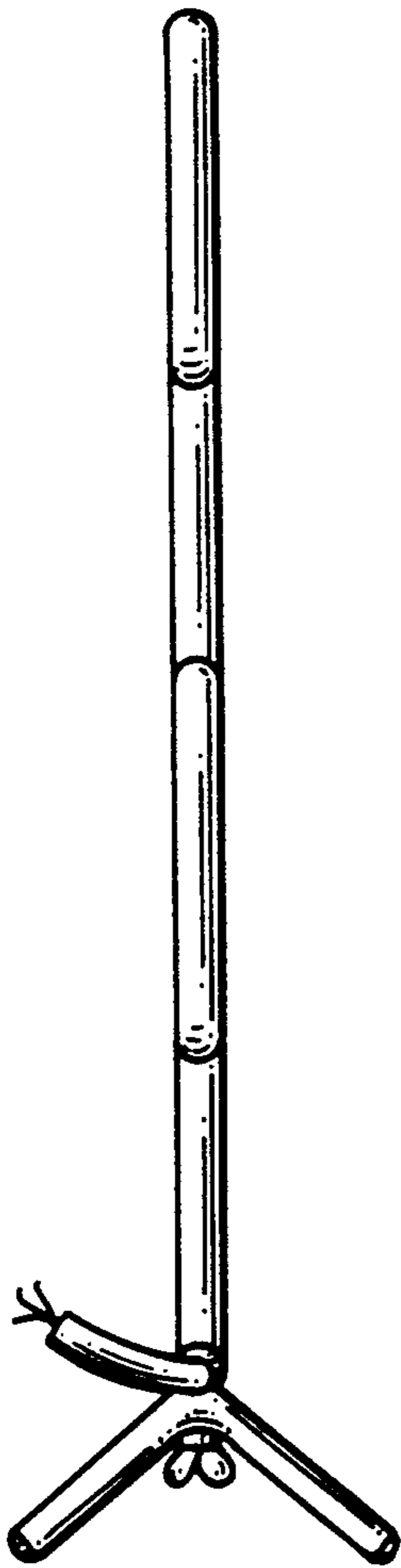


FIG. 3

