



US00D324617S

**United States Patent** [19]  
**McCauley**

[11] **Patent Number: Des. 324,617**  
[45] **Date of Patent: \*\* Mar. 17, 1992**

[54] **DISPENSER FOR ROLLED MATERIAL**

[76] **Inventor: Kenneth G. McCauley, 5403  
Peachtree Rd., Balch Springs, Tex.  
75180**

[\*\*] **Term: 14 Years**

[21] **Appl. No.: 424,141**

[22] **Filed: Oct. 19, 1989**

[52] **U.S. Cl. .... D6/518**

[58] **Field of Search ..... D6/518, 520, 522-523;  
312/37-38; 206/389; 242/55.2, 55.3, 55.53**

[56] **References Cited**

**U.S. PATENT DOCUMENTS**

D. 273,826	5/1984	Anderson et al. ....	D6/518
D. 281,477	11/1985	Neff .....	D6/574
D. 293,182	12/1987	Carter .....	D6/518
D. 308,445	6/1990	Loughbridge .....	D6/518

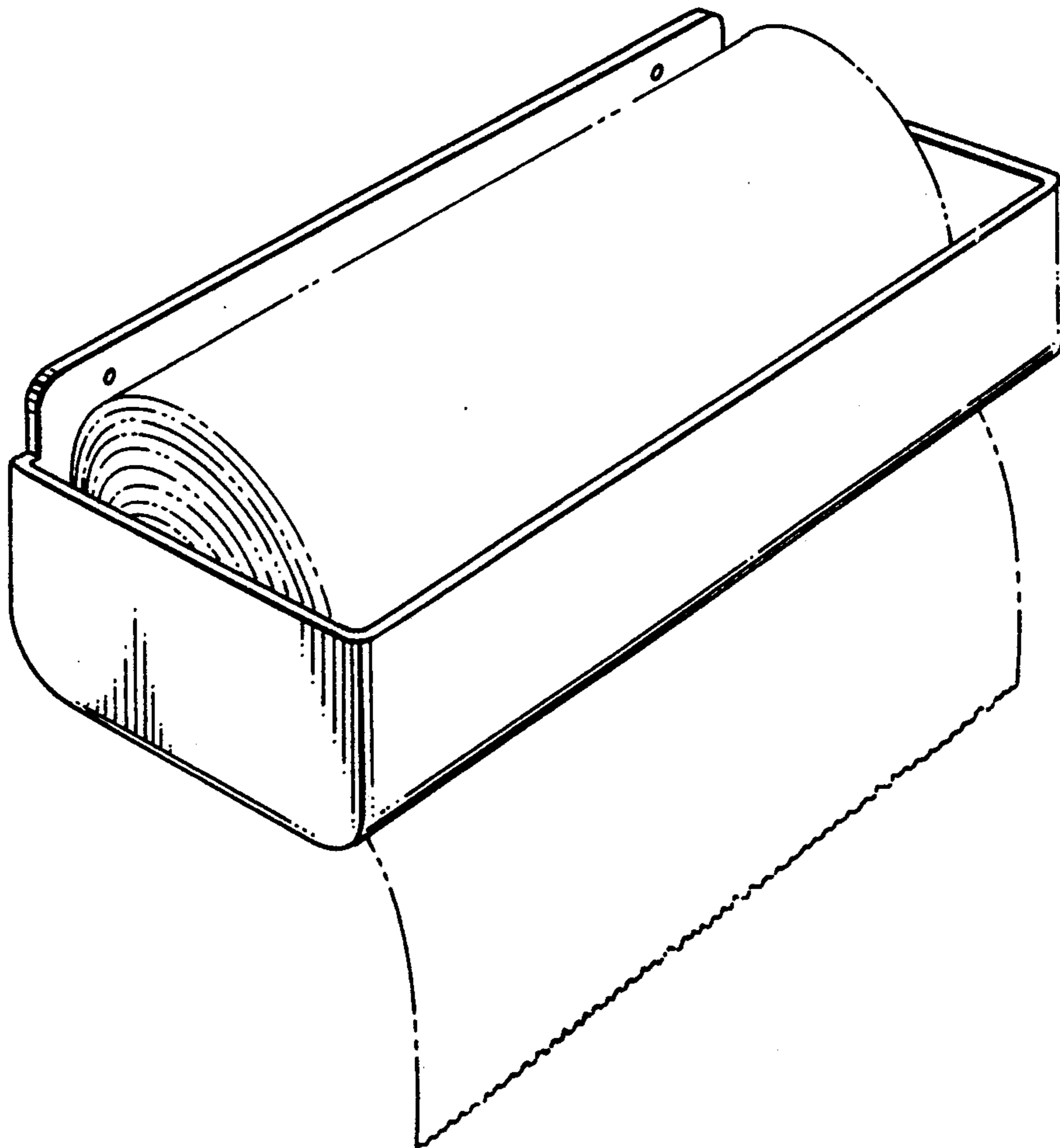
*Primary Examiner*—Brian N. Vinson  
*Attorney, Agent, or Firm*—Dennis T. Griggs

[57] **CLAIM**

The ornamental design for a dispenser for rolled material, as shown and described.

**DESCRIPTION**

FIG. 1 is a top, front, and right side perspective view of a dispenser for rolled material showing my new design; FIG. 2 is a front elevational view thereof; FIG. 3 is a right side elevational view thereof, the left side elevation being a mirror image thereof; FIG. 4 is a top plan view thereof; FIG. 5 is a bottom plan view thereof; FIG. 6 is a rear elevational view thereof; and, FIG. 7 is a top, front, and left side elevational view thereof, the broken-line depiction of rolled material being for illustrative purposes only and forming no part of the claimed design.



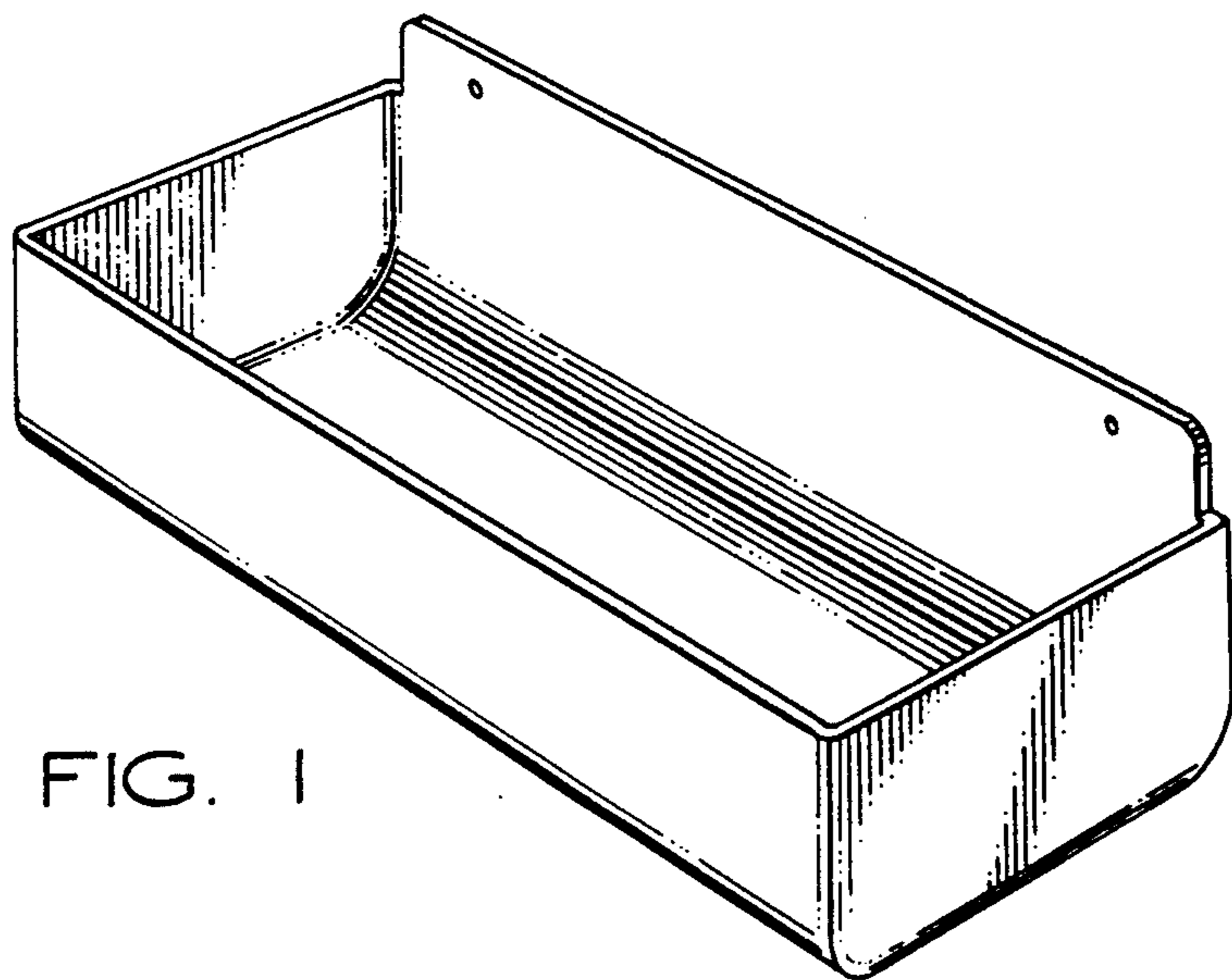


FIG. 1

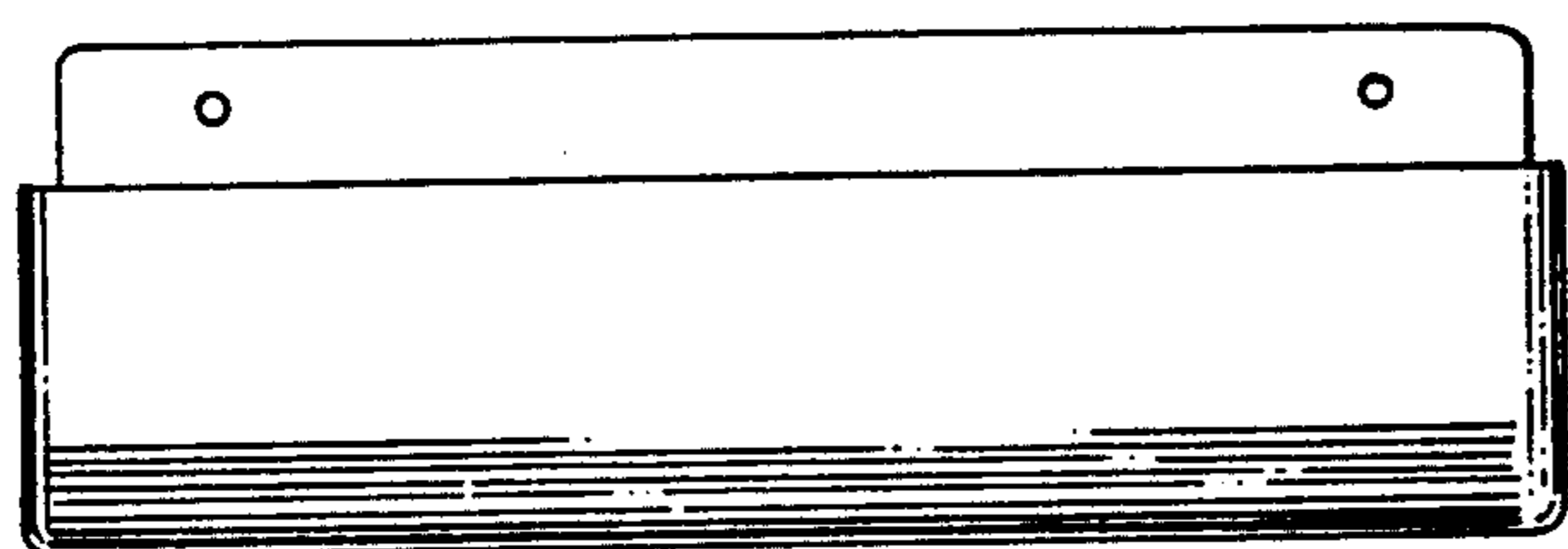


FIG. 2



FIG. 3

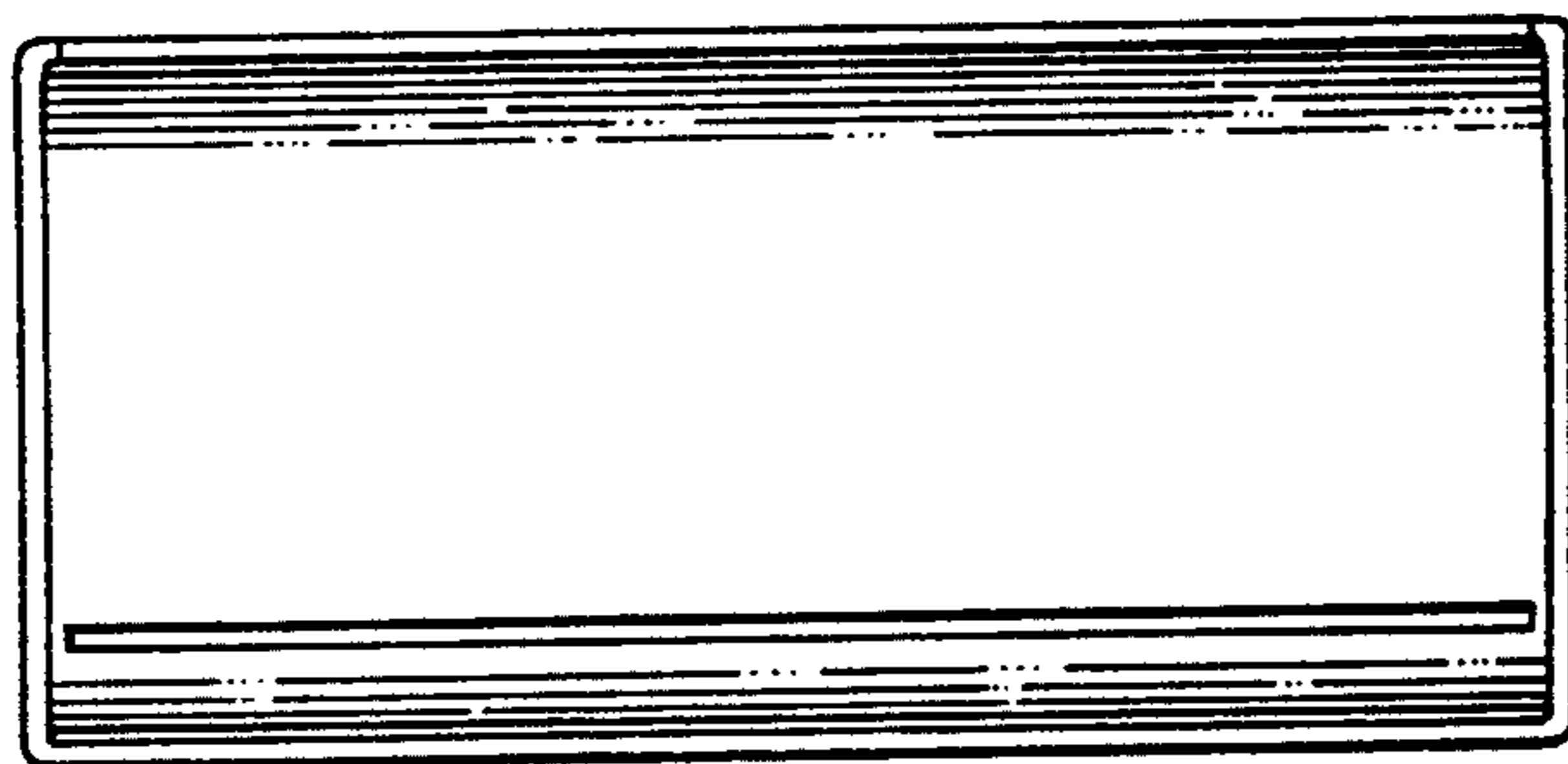


FIG. 4

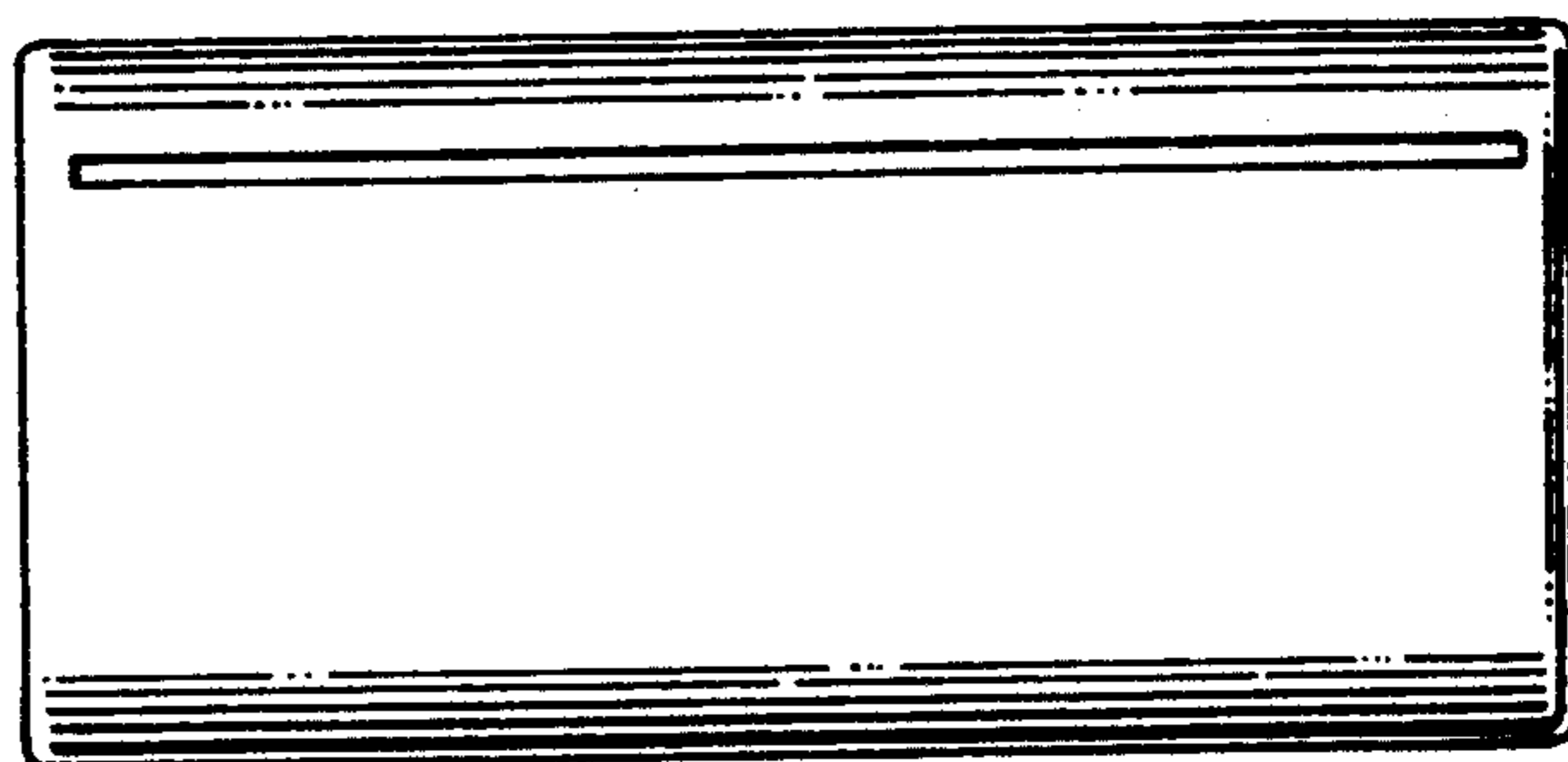


FIG. 5

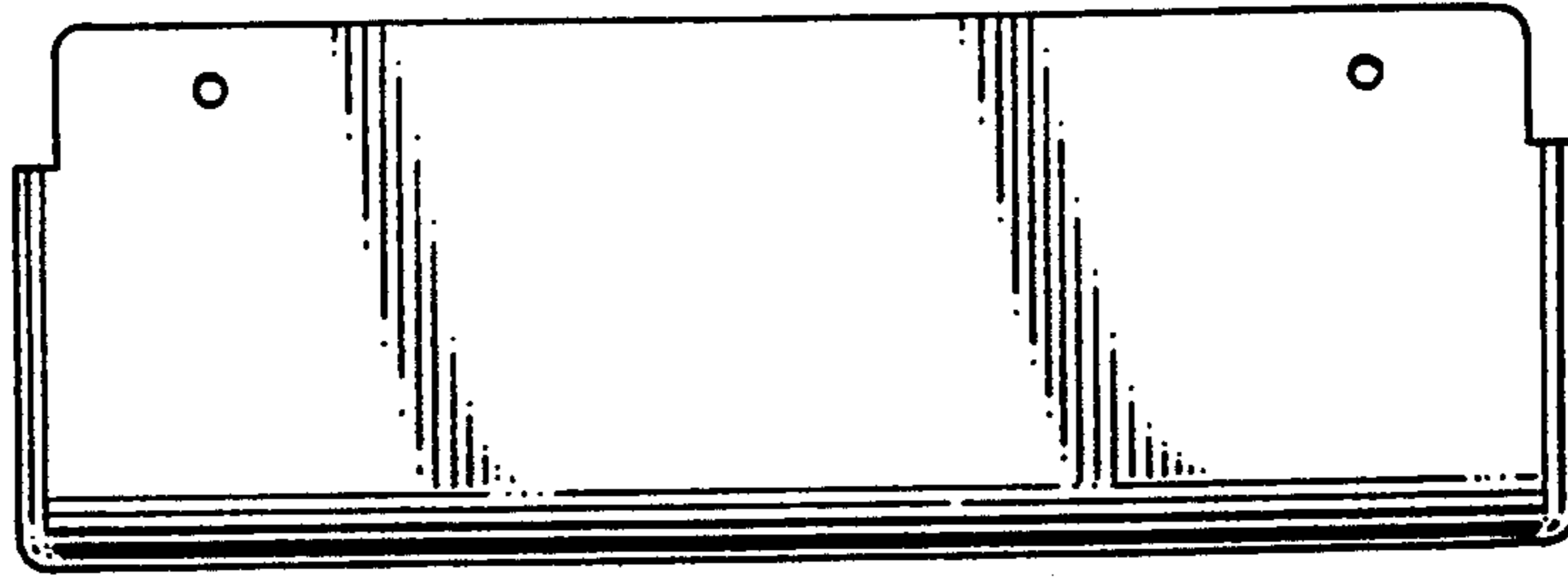


FIG. 6

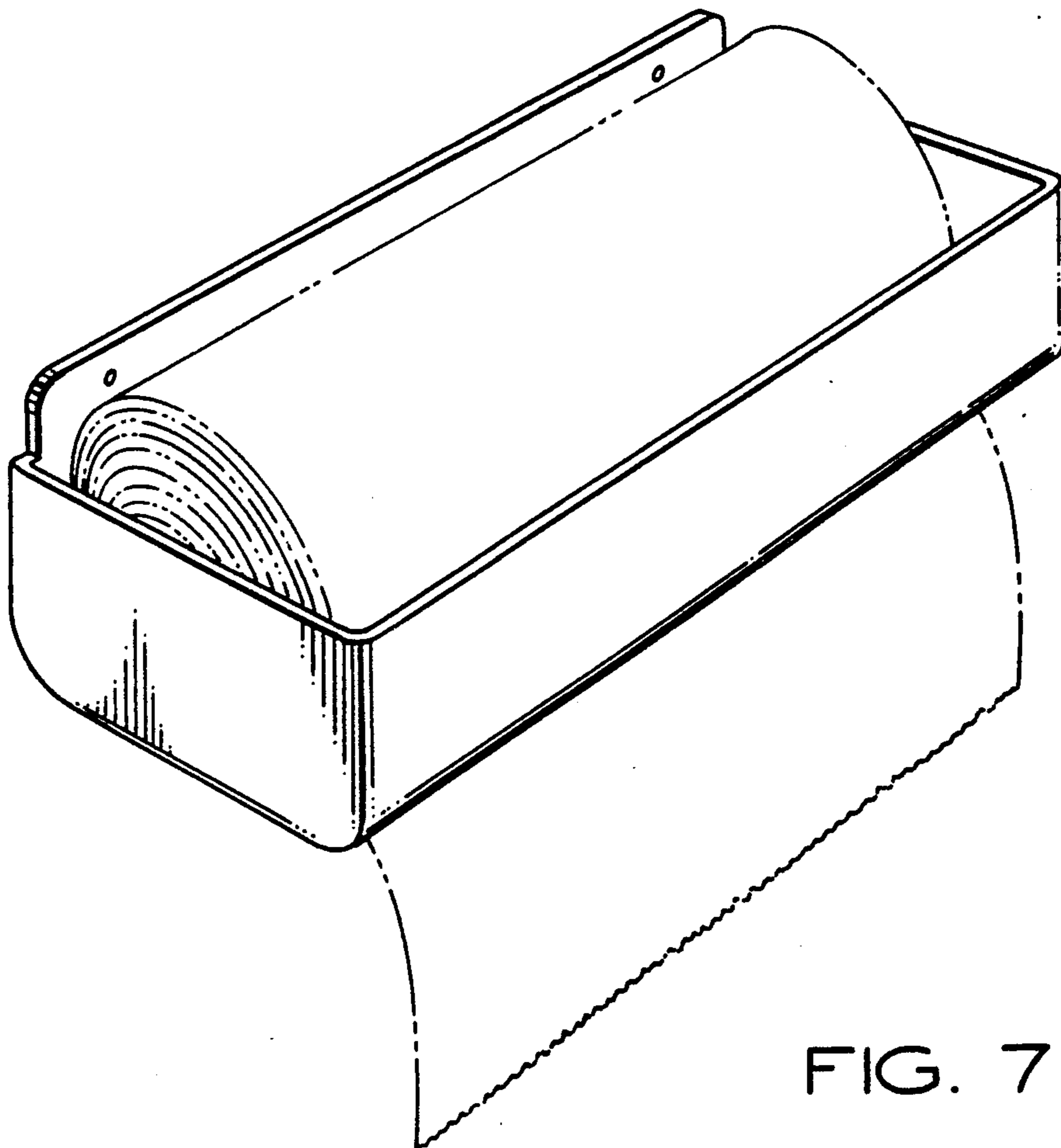


FIG. 7