



US00D324612S

United States Patent [19]

[11] Patent Number: **Des. 324,612**

Oelschlager et al.

[45] Date of Patent: **** Mar. 17, 1992**

[54] CHAIR

3,822,079 7/1974 Prober D6/334

[76] Inventors: **Erich Oelschlager**, Weidgasse 3.,
CH-5304 Endingen, Switzerland;
Robert Oelschlager, 121 Glenwwod
La., Barrington, Ill. 60010

OTHER PUBLICATIONS

Design Institute America, #5045 Lounge Chair pictured.
Indentikit (Abitare), 5/1985, p. 106, Breuer Chair pic-
tured.

[*] Notice: The portion of the term of this patent
subsequent to Sep. 3, 2005 has been
disclaimed.

House & Garden, 1/1988, p. 93, chair at lower right.

[**] Term: **14 Years**

Primary Examiner—Bruce W. Dunkins
Assistant Examiner—Gary D. Watson
Attorney, Agent, or Firm—Wolf, Greenfield & Sacks

[21] Appl. No.: **223,180**

[57] CLAIM

The ornamental design for a chair, as shown and de-
scribed.

[22] Filed: **Jul. 22, 1988**

[30] Foreign Application Priority Data

Jun. 22, 1988 [XH] Hague DMA000794

[52] U.S. Cl. D6/372; D6/369;
D6/374

[58] Field of Search D6/334, 369, 371, 372,
D6/375, 376, 379, 380, 499, 500

DESCRIPTION

FIG. 1 is a front elevational view of a chair showing my
new design;

FIG. 2 is a top plan view;

FIG. 3 is a right side elevational view, the left side being
a mirror image thereof;

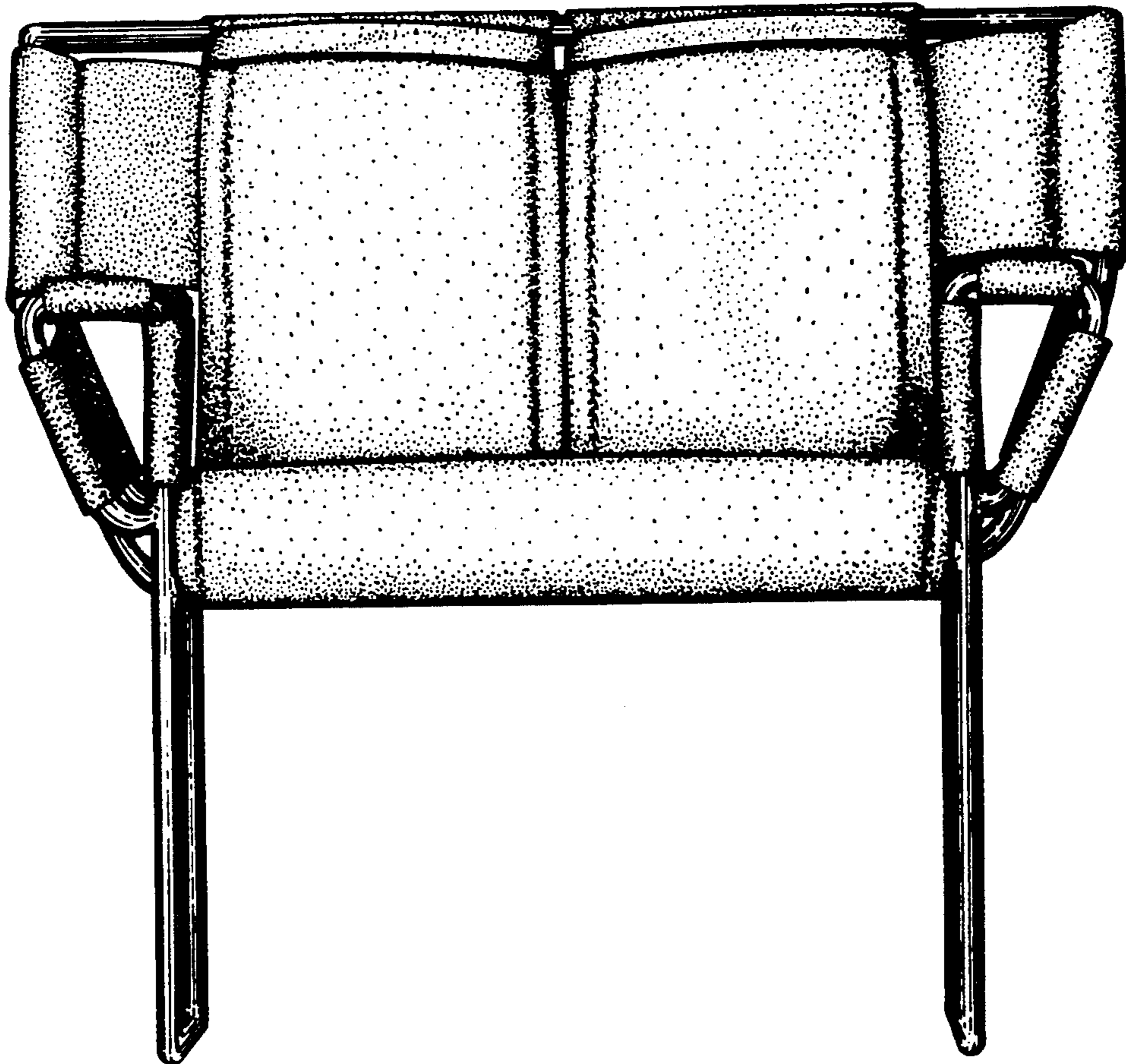
FIG. 4 is a rear elevational view; and,

FIG. 5 is a front elevational view of a chair showing a
second embodiment of our design wherein the appear-
ance of the inner surface on the backrest has been modi-
fied.

[56] References Cited

U.S. PATENT DOCUMENTS

D. 278,285 4/1985 Lowrey D6/372



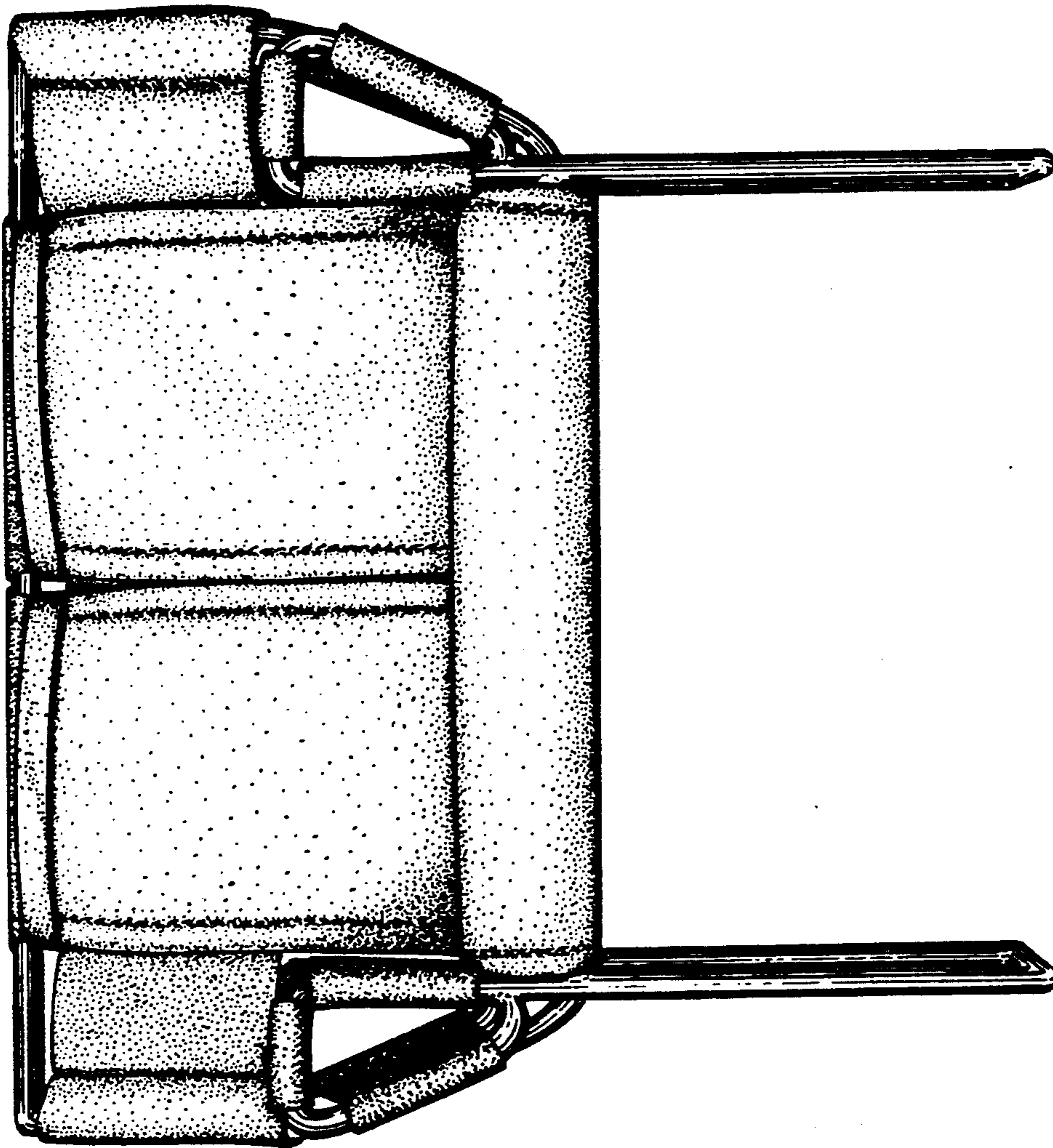


Fig. 1

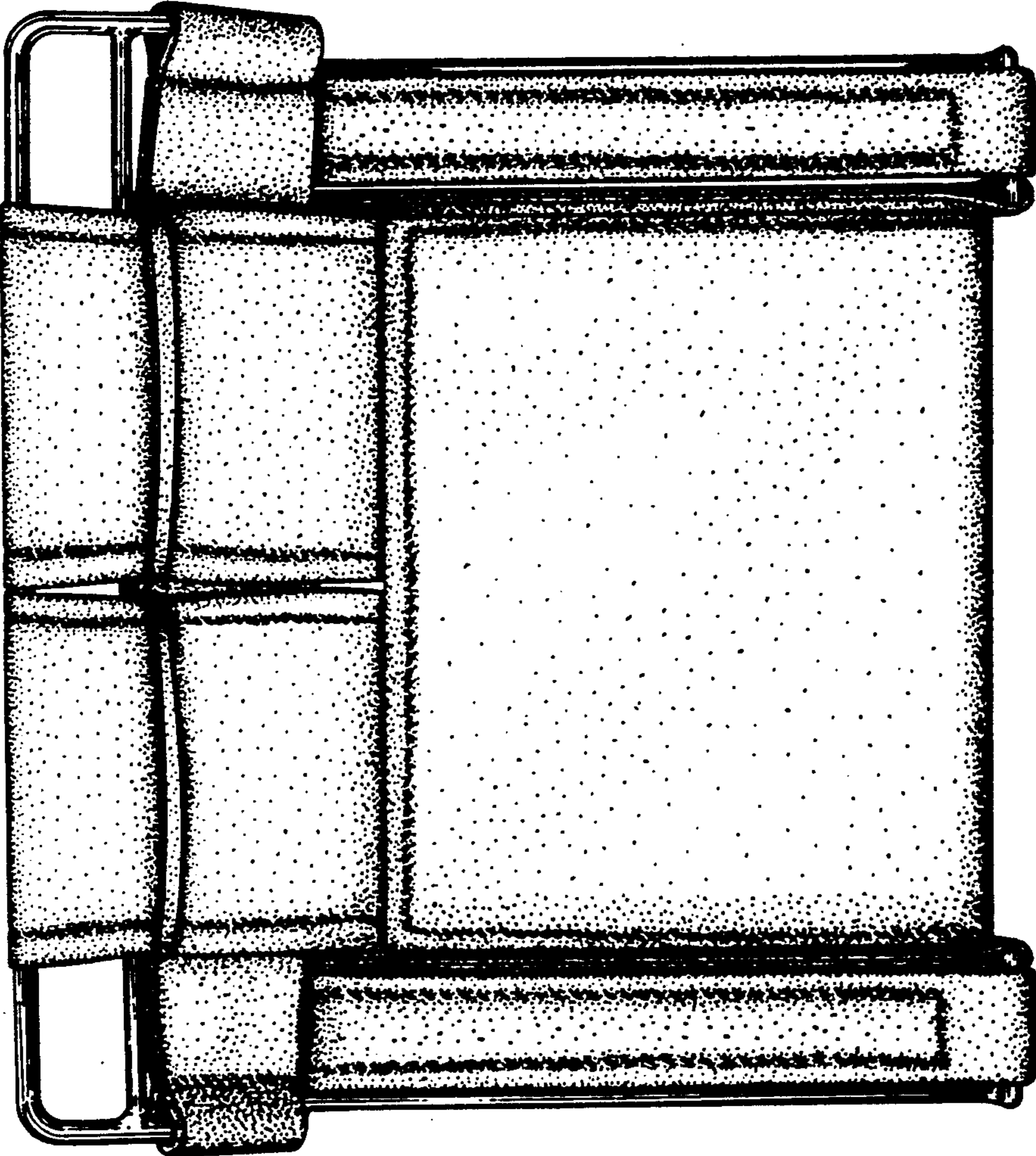


Fig. 2

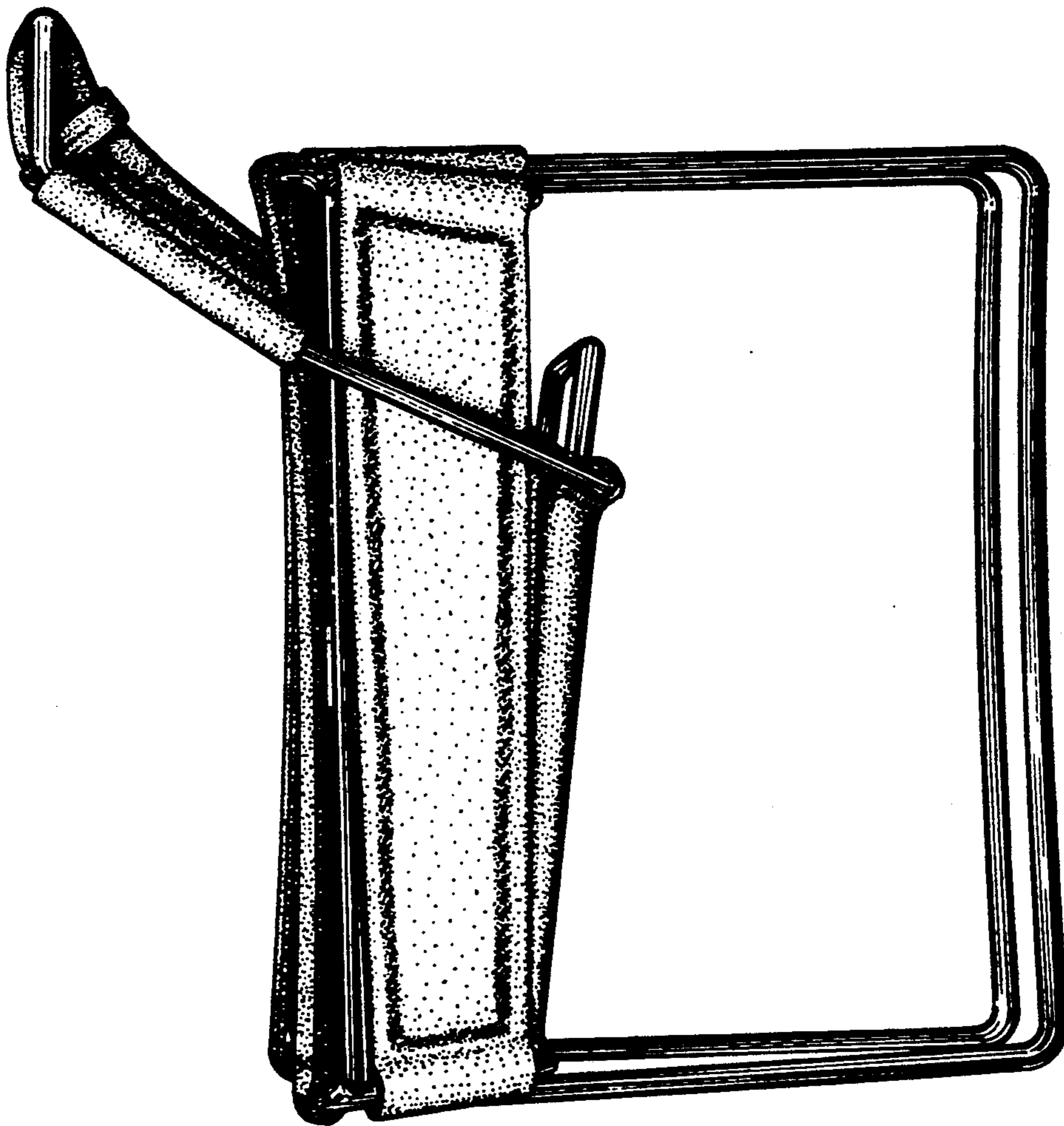


Fig. 3

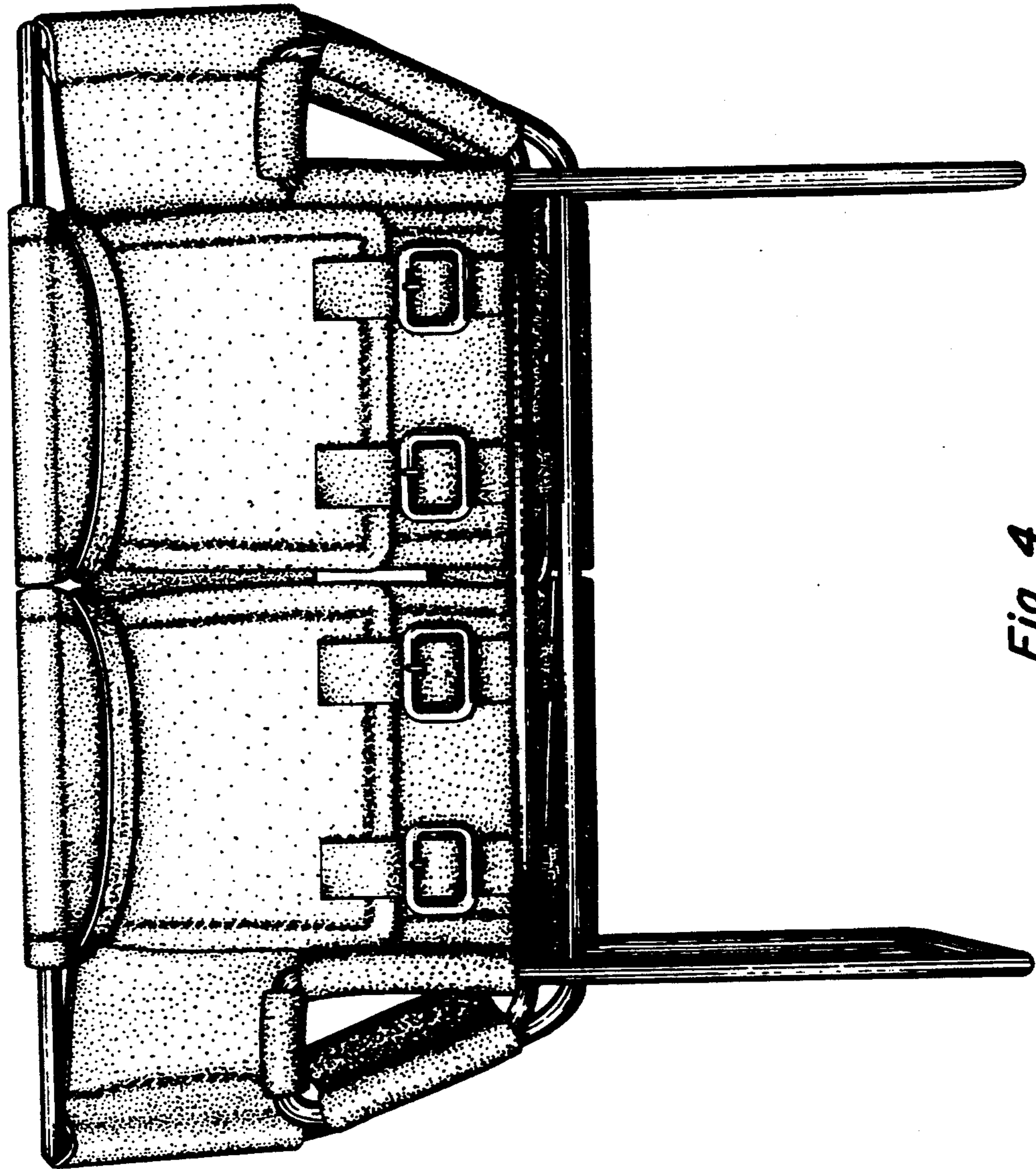


Fig. 4

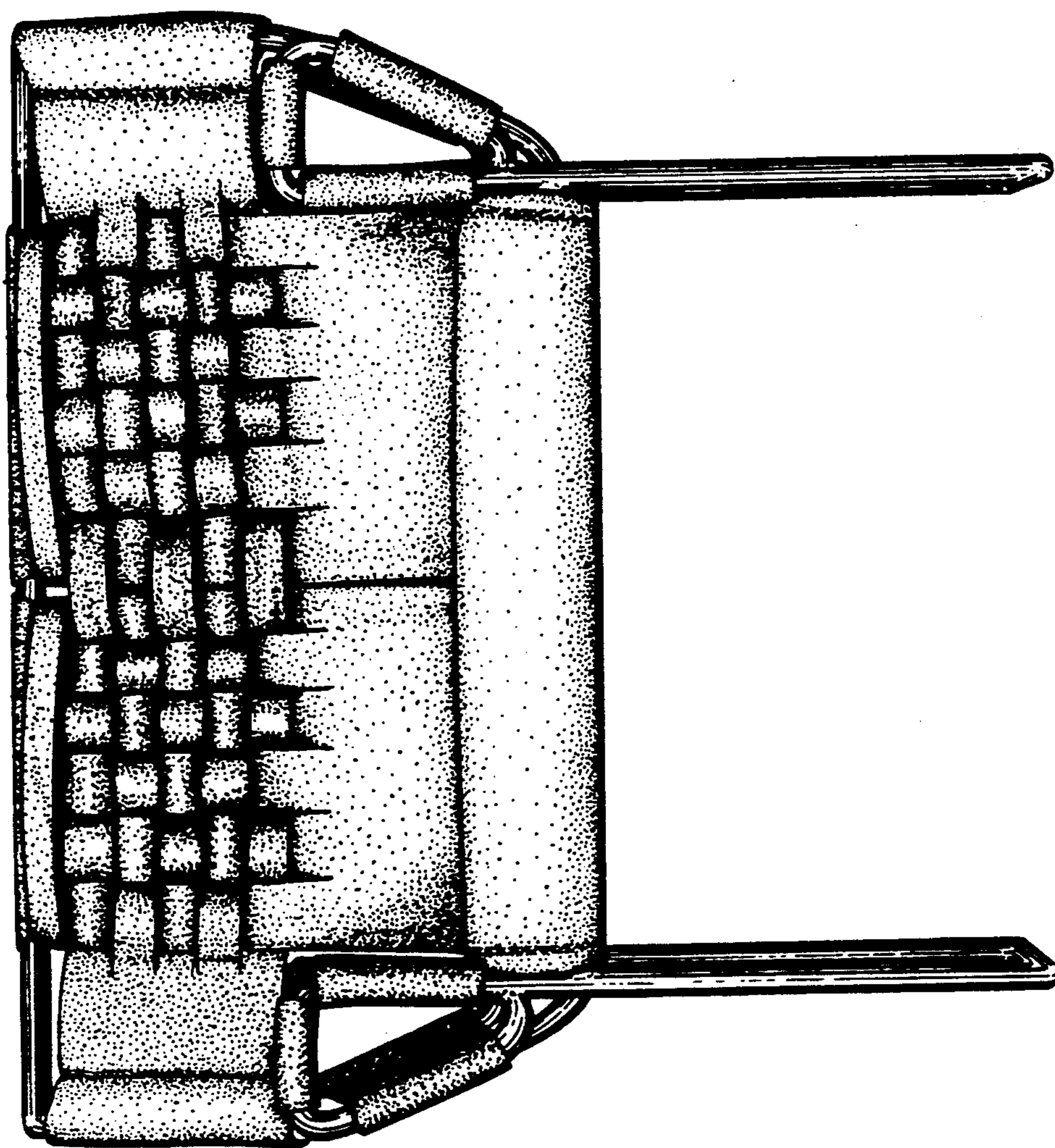


Fig. 5