



US00D324610S

United States Patent [19]

Fox et al.

[11] Patent Number: **Des. 324,610**

[45] Date of Patent: **** Mar. 17, 1992**

[54] KEY FOB OR THE LIKE

[76] Inventors: **Anthony P. Fox**, 226 Sommerville Pl., Yonkers, N.Y. 10703; **John D. DePalo**, 3D Half Moon Rd., Beacon, N.Y. 12508

[**] Term: **14 Years**

[21] Appl. No.: **415,546**

[22] Filed: **Oct. 2, 1989**

[52] U.S. Cl. **D3/62; 16/DIG. 12**

[58] Field of Search **D3/61-65; D11/55, 108; 24/3 K; 70/456 R, 456 B, 457-461; D22/117; 273/84 R; 16/DIG. 12; 30/169, 34**

[56] References Cited

U.S. PATENT DOCUMENTS

- D. 262,417 12/1981 Kim D3/61
- D. 279,524 7/1985 Enomoto D3/61
- 3,865,370 2/1975 Rogers 16/DIG. 12

OTHER PUBLICATIONS

W. S. Darley & Co., Police Supply Catalog, 12-1-1-1950, p. 44-item center right side of page.

Primary Examiner—A. Hugo Word

Assistant Examiner—R. Seifert

Attorney, Agent, or Firm—Lackenbach Siegel Marzullo & Aronson

[57] CLAIM

The ornamental design for a key fob or the like, as shown and described.

DESCRIPTION

FIG. 1 is a top plan view of a key fob or the like showing my new design, the broken line showing of a key and keyring is for illustrative purposes only and form no part of the claimed design;

FIG. 2 is a side elevational view;

FIG. 3 is a top elevational view;

FIG. 4 is a bottom plan view;

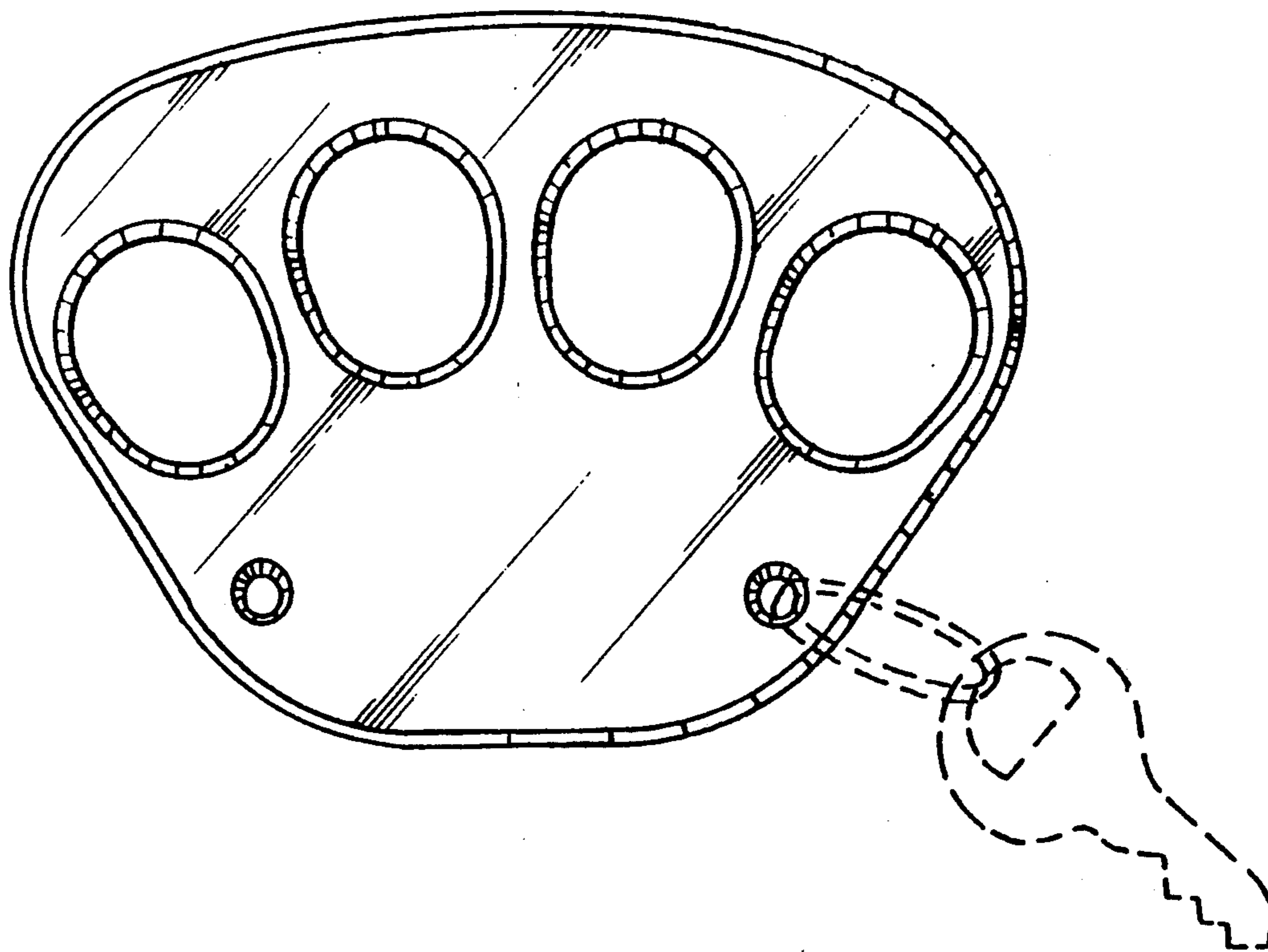
FIG. 5 is a top plan view of a key fob or the like showing a second embodiment my new design;

FIG. 6 is a side elevational view of FIG. 5;

FIG. 7 is a bottom elevational view of FIG. 5;

FIG. 8 is a top plan view of a key fob or the like showing a third embodiment of my new design; and,

FIG. 9 is a side elevational view of FIG. 8.



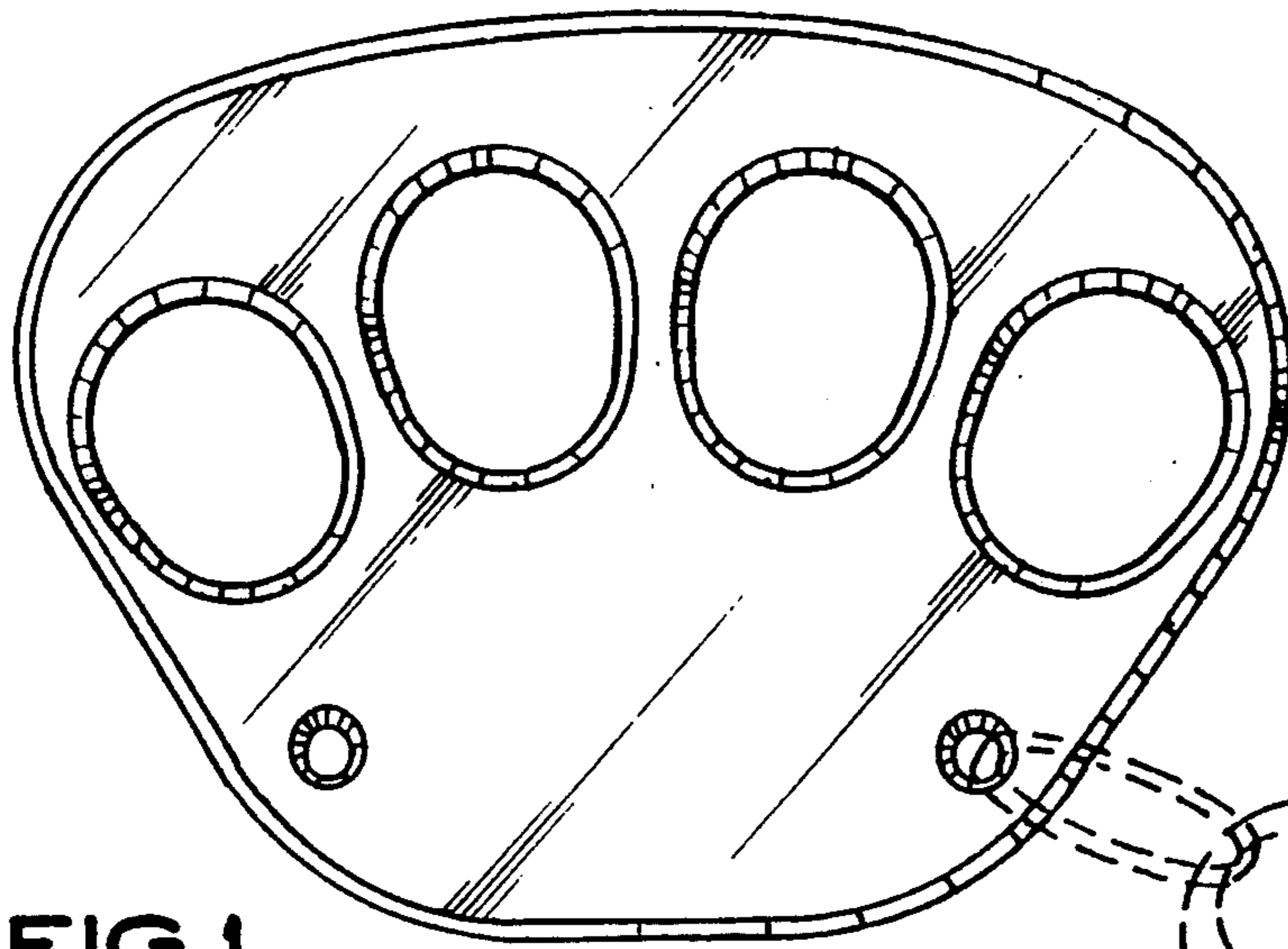


FIG. 1



FIG. 2

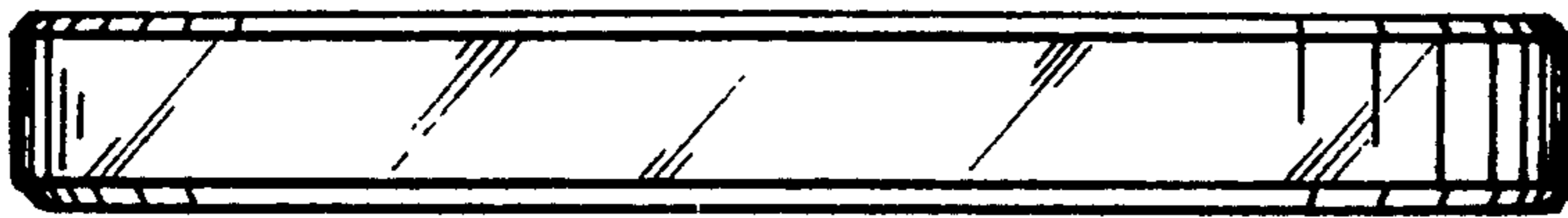
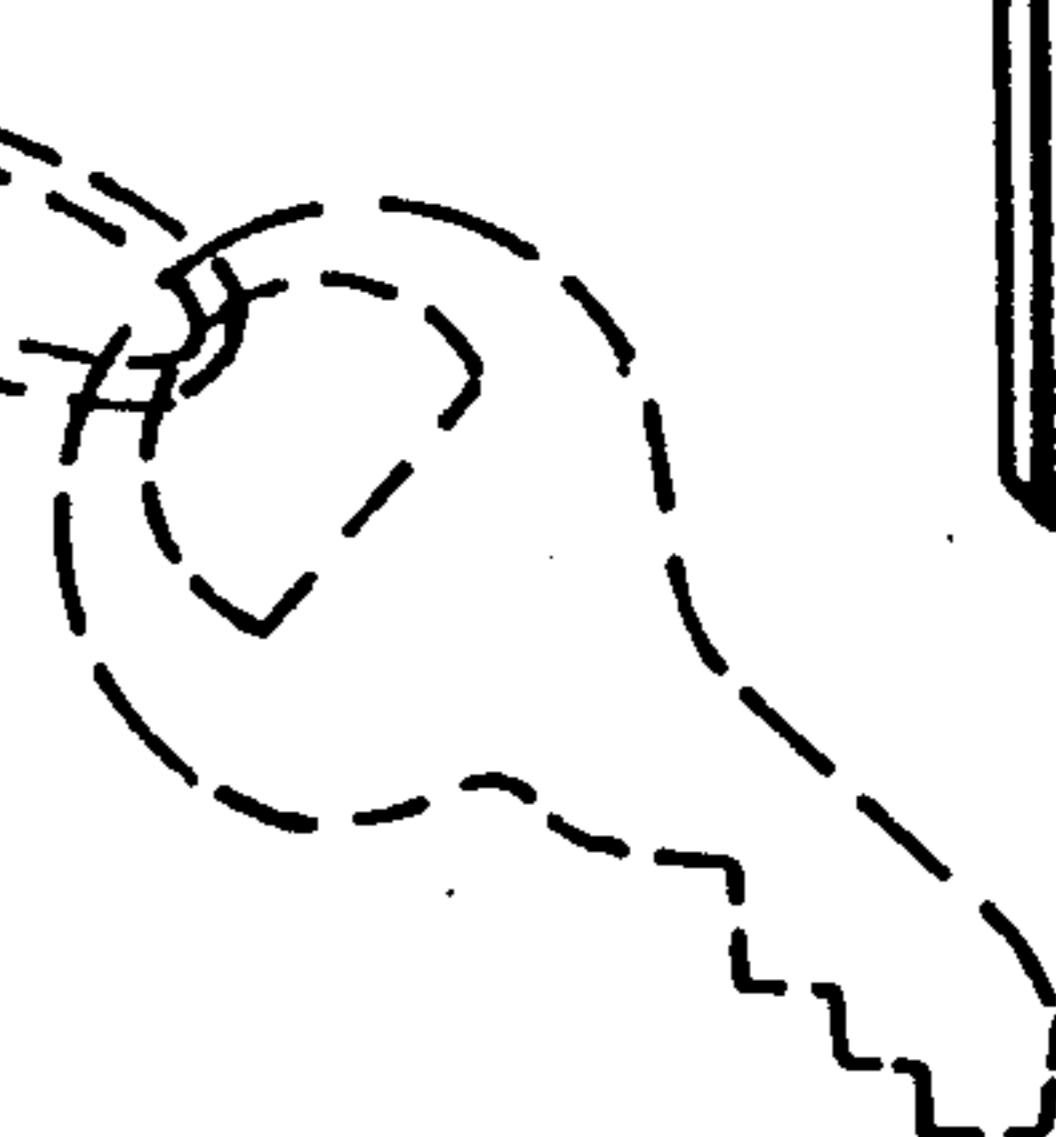


FIG. 3

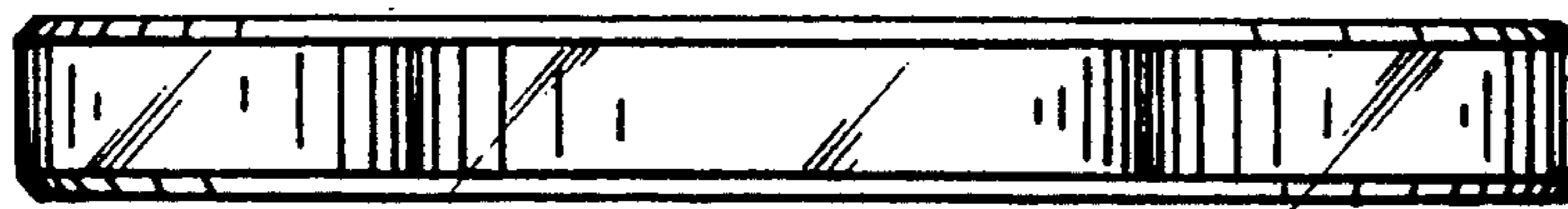


FIG. 4

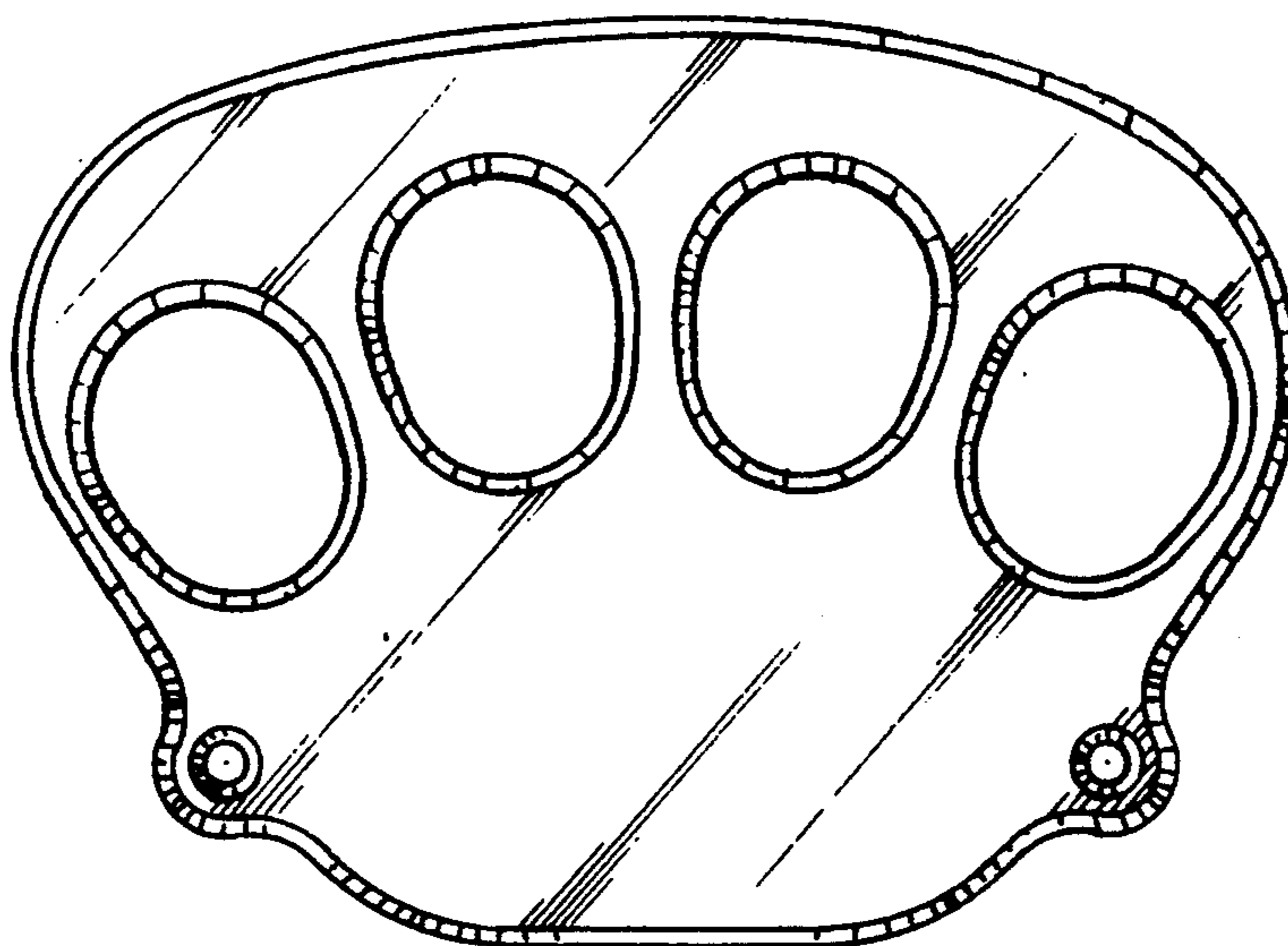


FIG. 5

FIG. 7



FIG. 6



FIG. 8

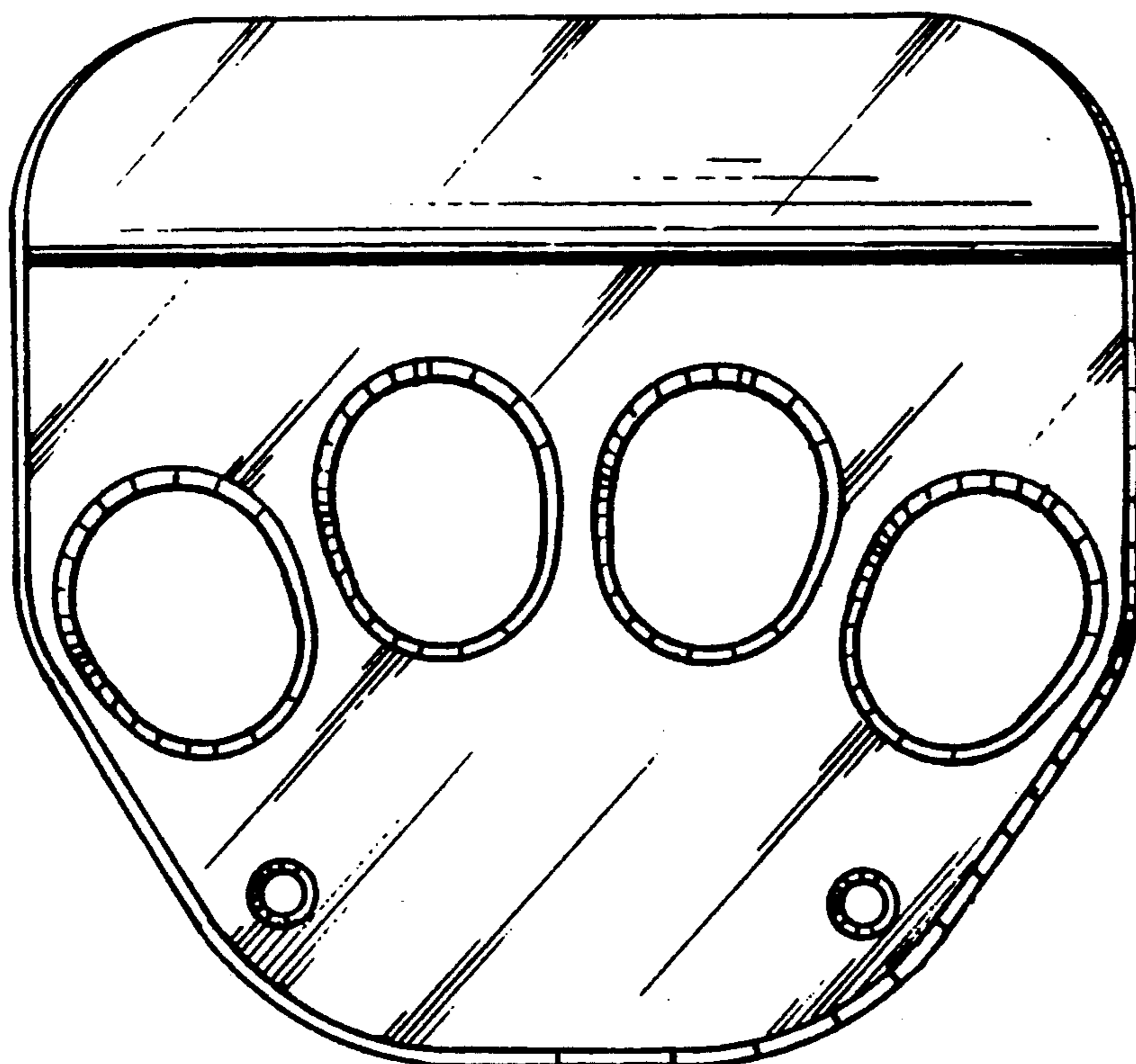


FIG. 9

