



US00D324609S

# United States Patent [19]

Yasuhara et al.

[11] Patent Number: **Des. 324,609**

[45] Date of Patent: **\*\* Mar. 17, 1992**

[54] **COMPACT DISC CASE**  
[75] Inventors: **Nae Yasuhara; Miyuki Marusawa,**  
both of Tokyo, Japan

[73] Assignee: **Sony Corporation, Tokyo, Japan**

[\*\*] Term: **14 Years**

[21] Appl. No.: **447,085**

[22] Filed: **Dec. 7, 1989**

[30] **Foreign Application Priority Data**

Jun. 9, 1989 [JP] Japan ..... 1-21484

[52] U.S. Cl. .... **D3/35**

[58] Field of Search ..... **D3/30.1, 35, 56, 79;**  
**D6/300, 310, 314; D19/21, 27, 32, 33;**  
**40/158.1, 159.1, 159, 159.2, 537; 206/44, 45.18,**  
**45.2, 45.21, 45.24, 45.25, 45.26, 45.31, 309, 310,**  
**311, 312, 313, 425, 444, 493; 281/38**

[56] **References Cited**

**U.S. PATENT DOCUMENTS**

D. 63,932 7/1951 Byck ..... D6/309  
D. 190,707 6/1961 Salm ..... D19/21  
D. 266,884 11/1982 Bauman ..... D3/56  
D. 304,880 12/1989 Philosophe ..... D3/35  
D. 313,313 1/1991 Folino ..... D3/56  
2,828,975 4/1958 Wright ..... D3/56

3,109,539 11/1963 Turoff ..... 206/309  
3,722,564 3/1973 Croon ..... 206/309  
4,805,769 2/1989 Soltis et al. .... 206/309  
4,850,731 7/1989 Youngs ..... 40/159

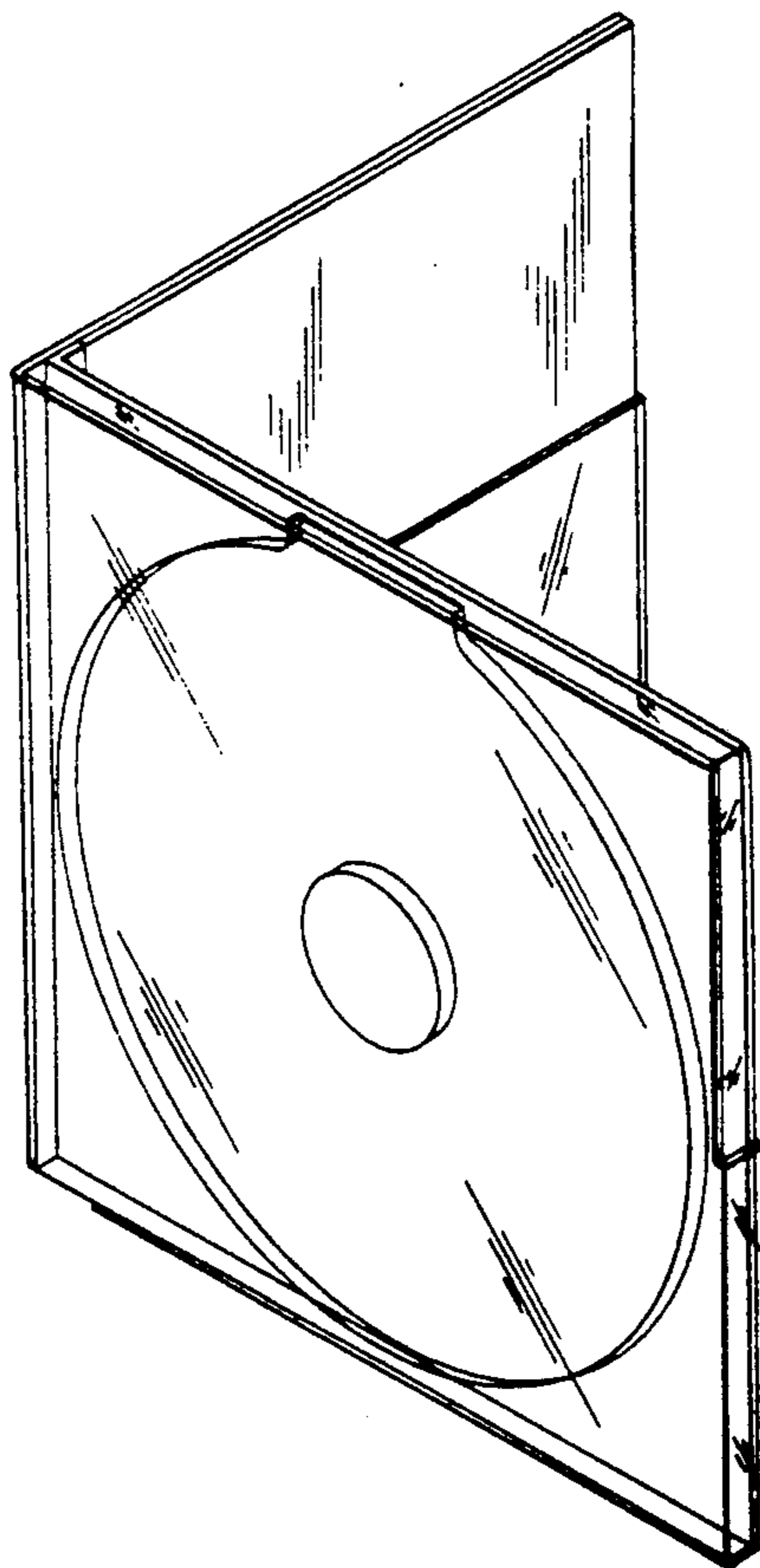
*Primary Examiner*—A. Hugo Word  
*Assistant Examiner*—Celia A. Murphy  
*Attorney, Agent, or Firm*—Lewis H. Eslinger; Jay H. Maioli

[57] **CLAIM**

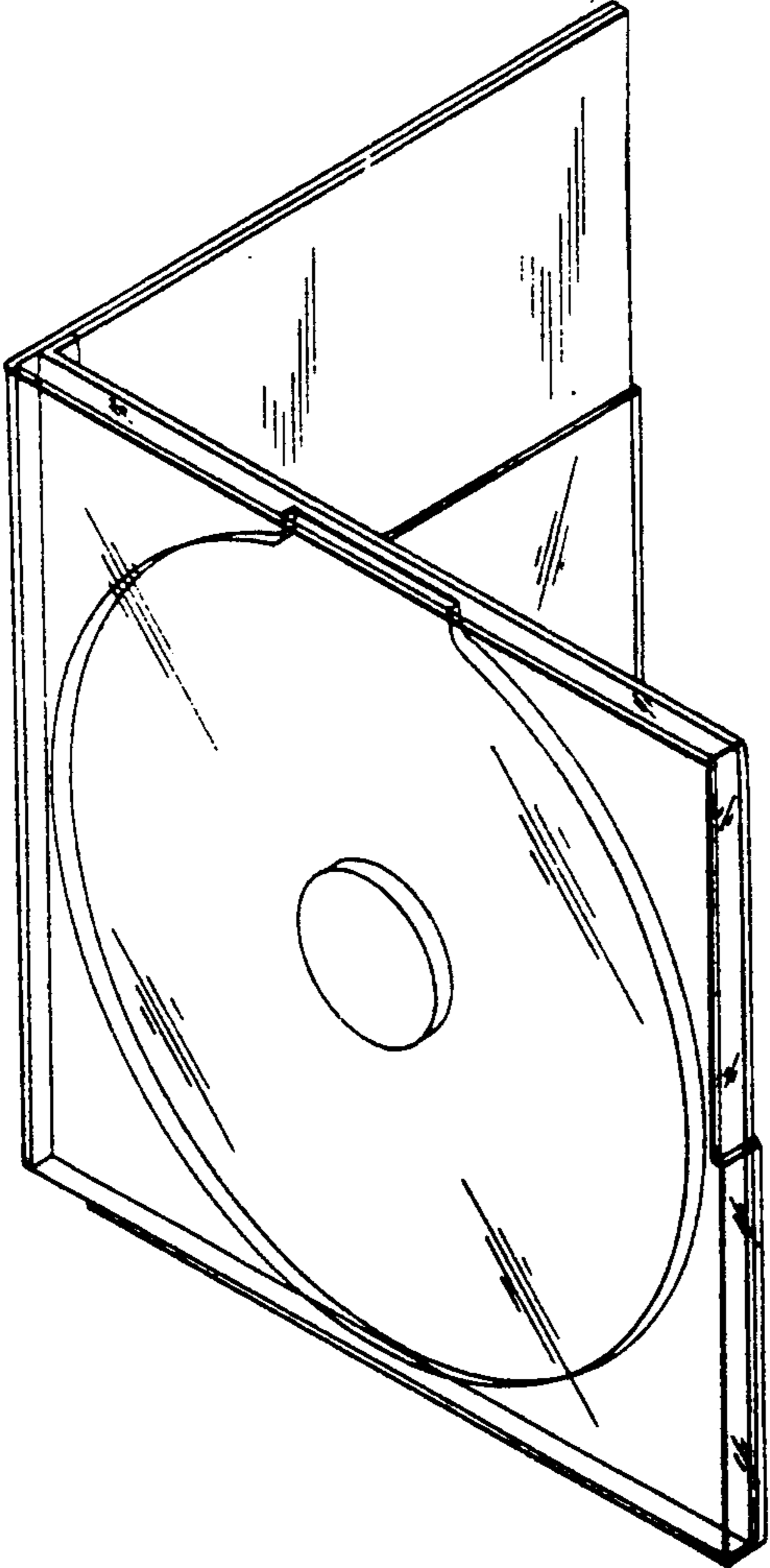
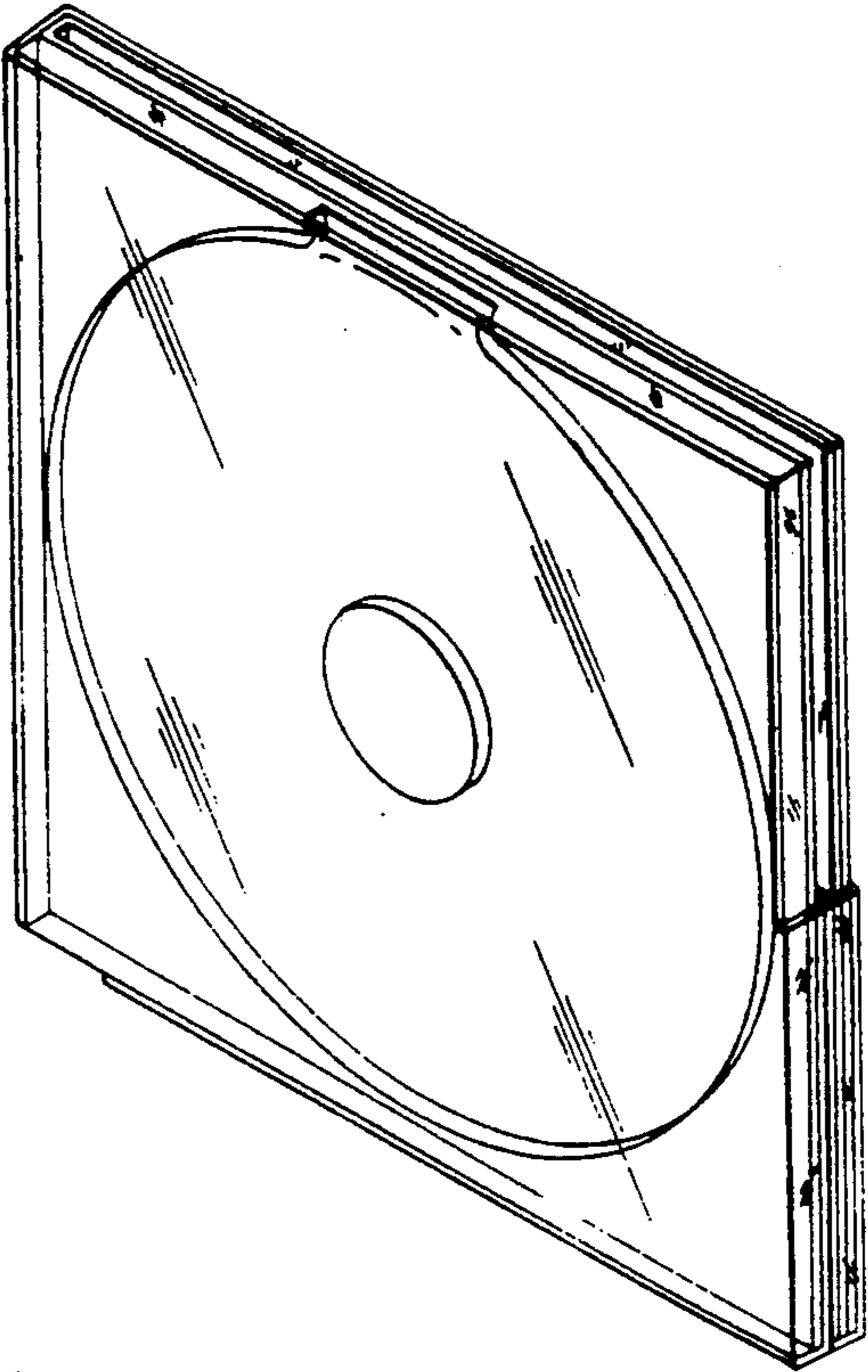
The ornamental design for a compact disc case, as shown and described.

**DESCRIPTION**

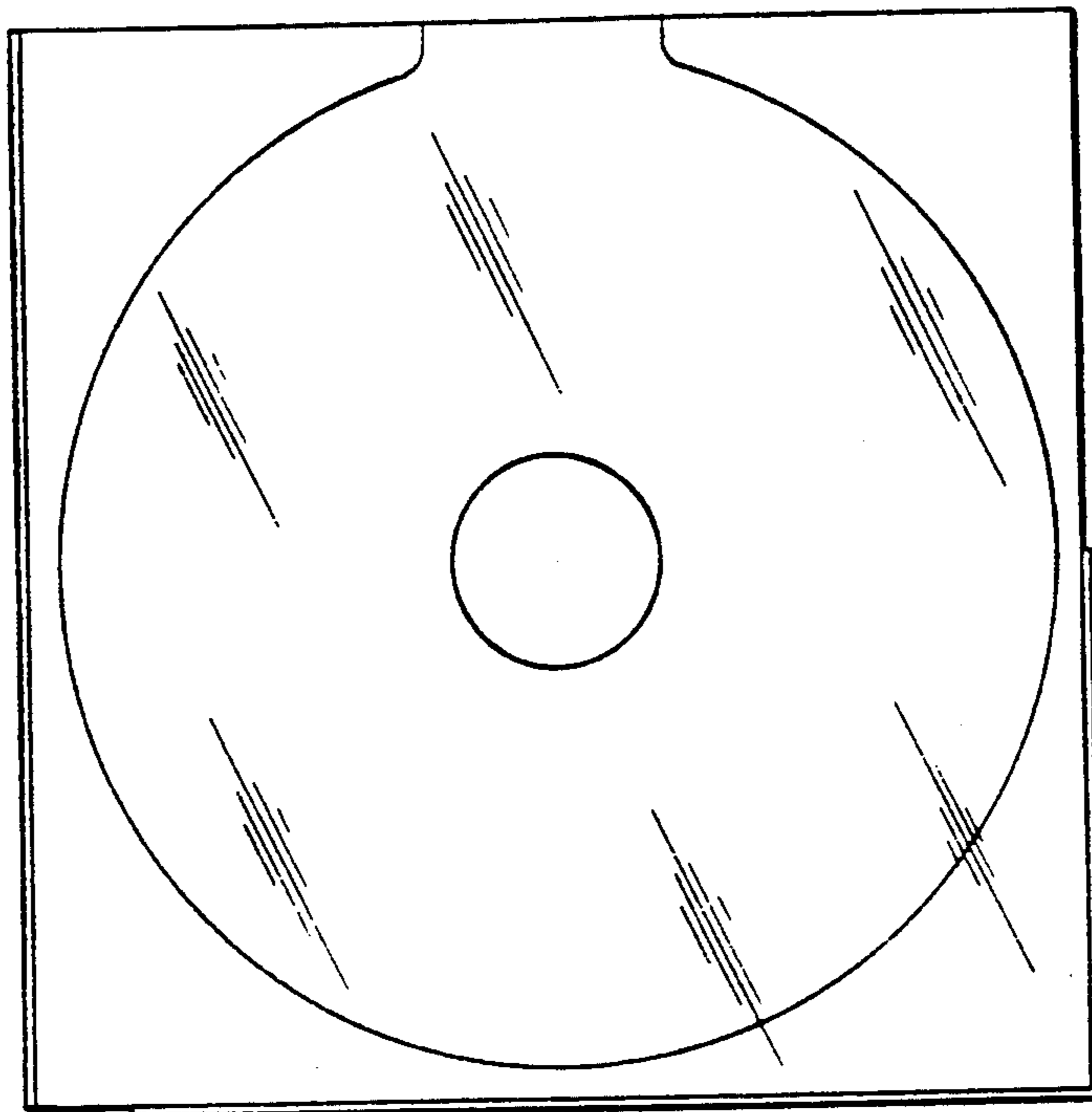
FIG. 1 is a perspective view of a compact disc case showing our new design;  
FIG. 2 is a perspective view thereof, shown partially open;  
FIG. 3 is a front elevational view thereof;  
FIG. 4 is a rear elevational view thereof;  
FIG. 5 is a left-side elevational view thereof;  
FIG. 6 is a right-side elevational view thereof;  
FIG. 7 is a top plan view thereof;  
FIG. 8 is a bottom plan view thereof; and  
FIG. 9 is a front elevational view thereof, shown in the fully opened position; and,  
FIG. 10 is a rear elevational view thereof, shown in the fully opened position.



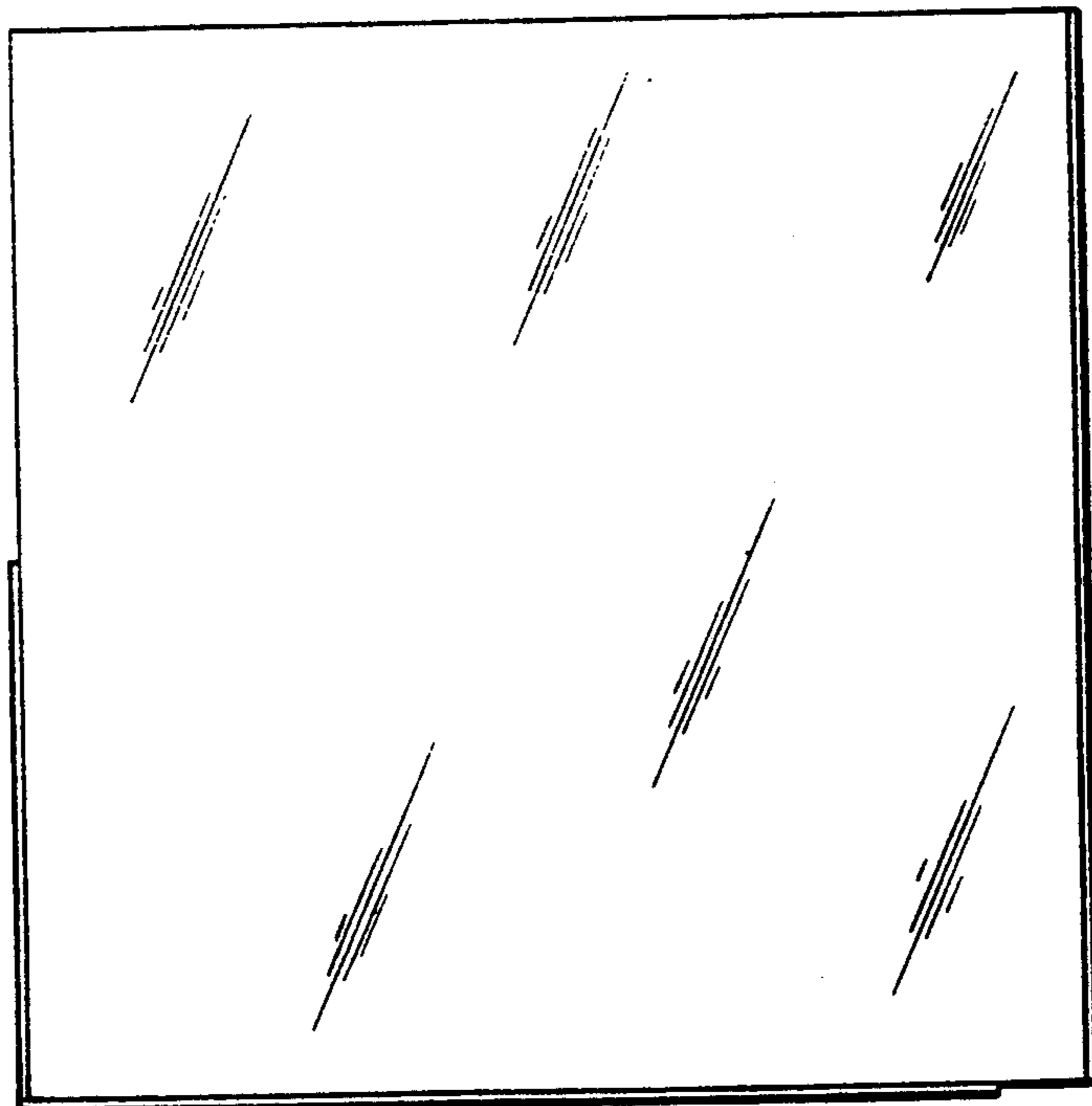
*FIG. 1*



*FIG. 2*



**FIG. 3**



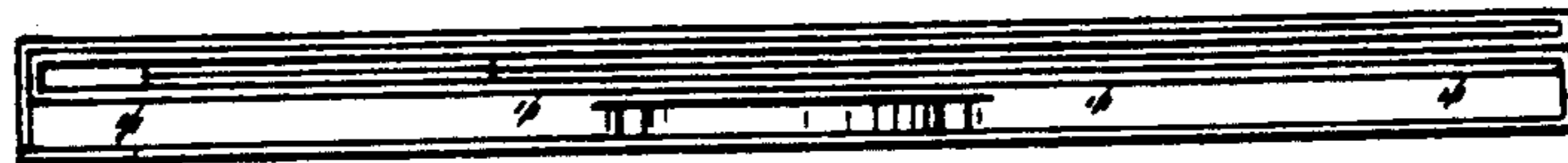
**FIG. 4**



**FIG. 5**



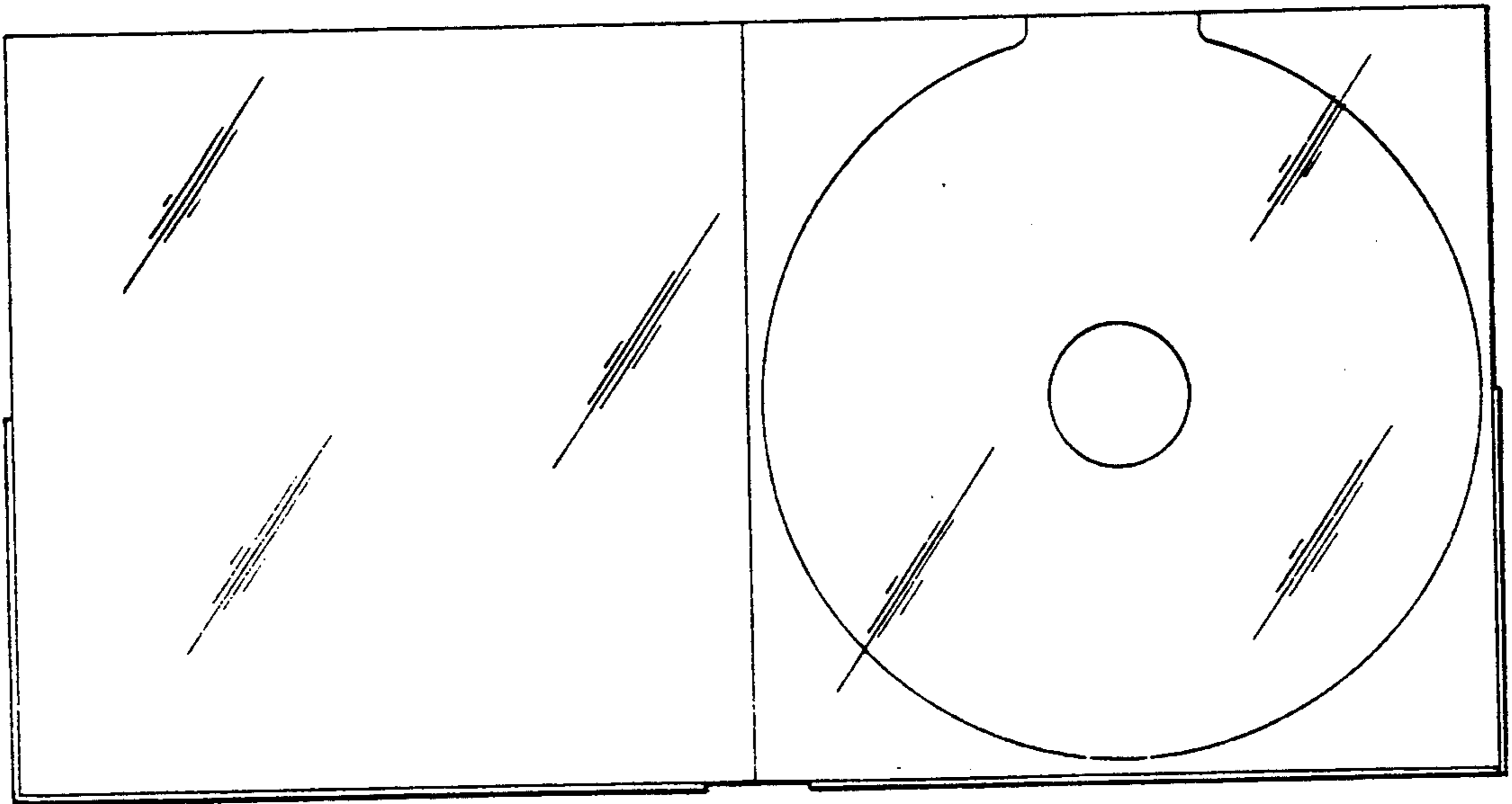
**FIG. 6**



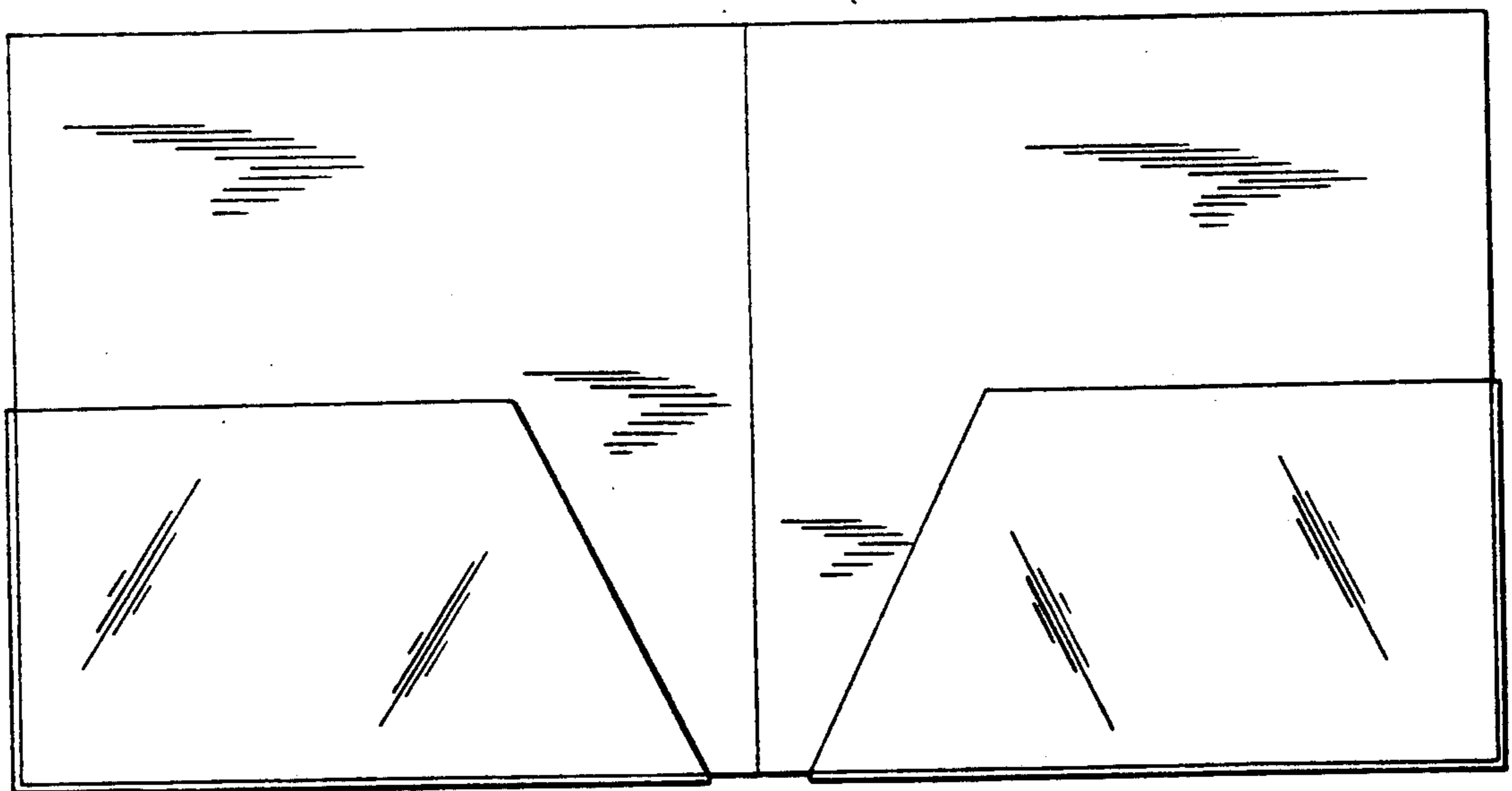
**FIG. 7**



**FIG. 8**



**FIG. 9**



**FIG. 10**