



US00D324598S

United States Patent [19]

[11] Patent Number: **Des. 324,598**

Clark

[45] Date of Patent: **** Mar. 10, 1992**

[54] **CREEPER**

3,148,892	9/1964	Merriott .	
3,976,155	8/1976	Esch	280/32.5
4,397,374	8/1983	Rumage et al.	280/32.5

[76] Inventor: **Patrick G. Clark**, 400 Plaza Dr., Westmont, Ill. 60559

Primary Examiner—Kay H. Chin
Attorney, Agent, or Firm—Terry M. Gernstein

[**] Term: **14 Years**

[21] Appl. No.: **514,349**

[57] **CLAIM**

[22] Filed: **Apr. 25, 1990**

The ornamental design for a creeper, as shown and described.

[52] U.S. Cl. **D34/23; D34/12**

[58] Field of Search **D34/23, 17; 280/32.6, 280/32.5, 79.11**

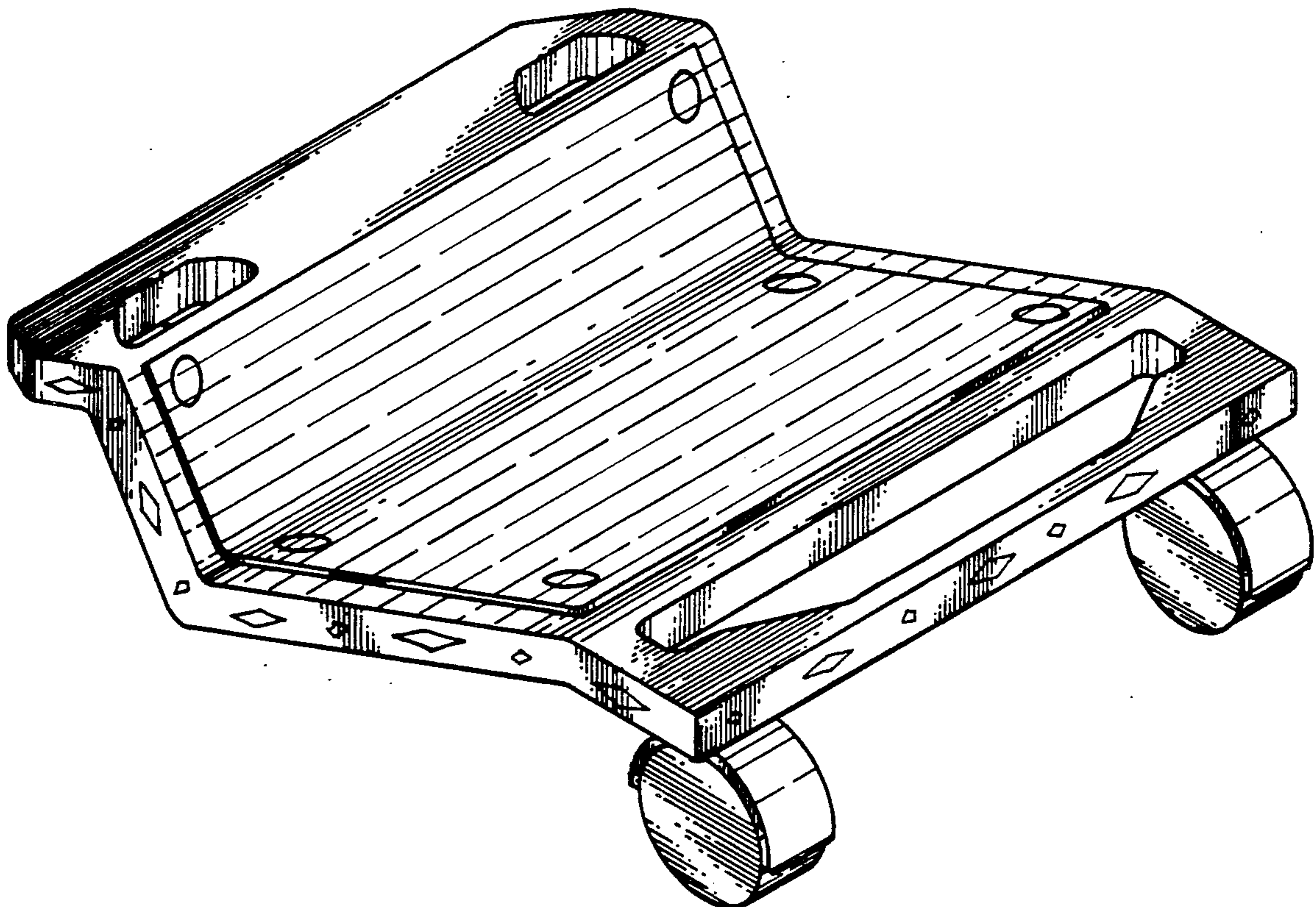
DESCRIPTION

[56] **References Cited**

U.S. PATENT DOCUMENTS

D. 314,653	2/1991	Jackson	D34/23
1,394,493	10/1921	Grazer .	
2,509,934	5/1950	Murray .	
2,780,472	2/1957	Weldon, Sr.	280/32.6

FIG. 1 is a top and front perspective view of a creeper showing my new design;
 FIG. 2 is a front elevational view thereof;
 FIG. 3 is a rear elevational view thereof;
 FIG. 4 is a left side elevational view thereof;
 FIG. 5 is a right side elevational view thereof;
 FIG. 6 is a top plan view thereof; and
 FIG. 7 is a bottom plan view thereof.



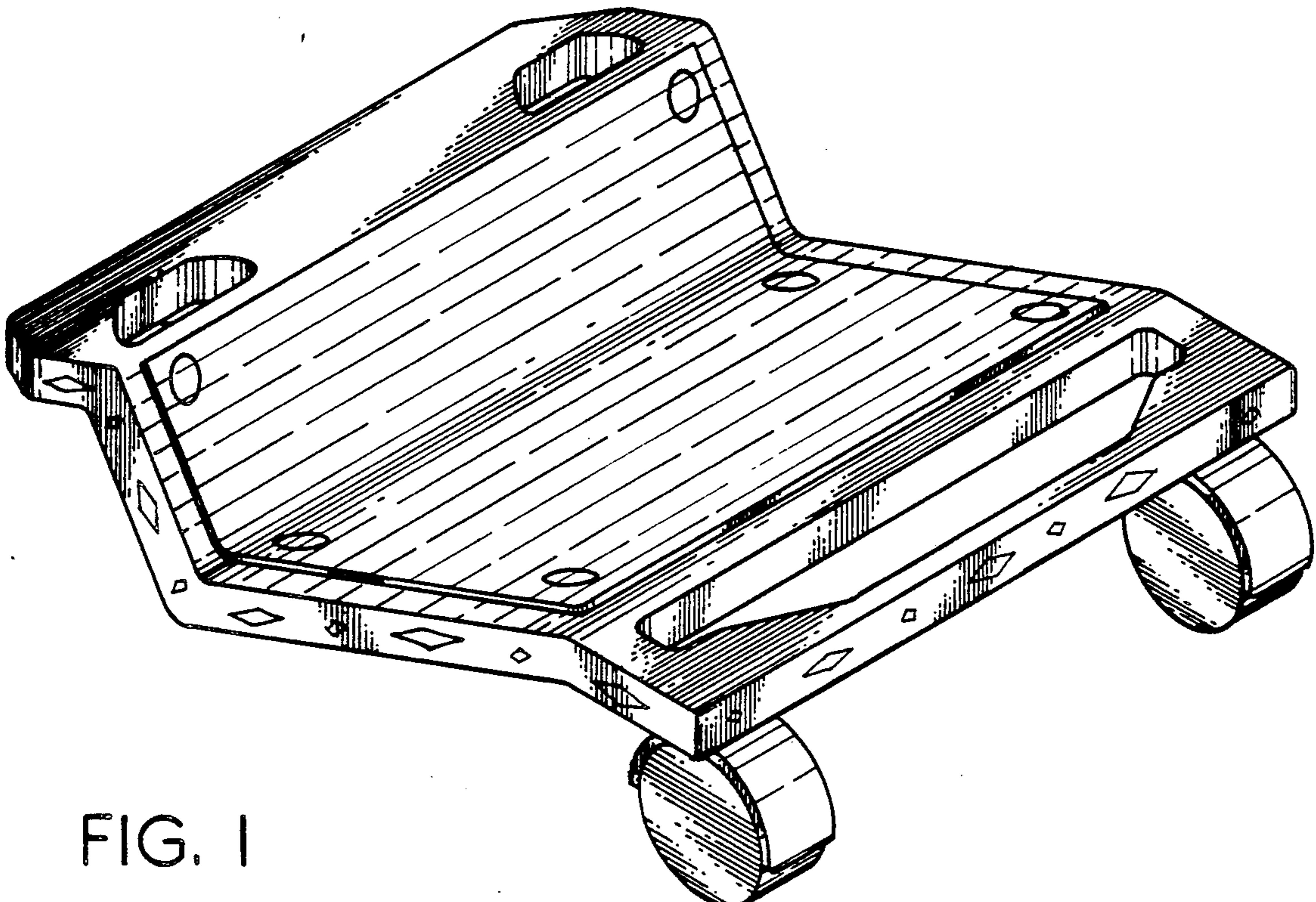


FIG. 1

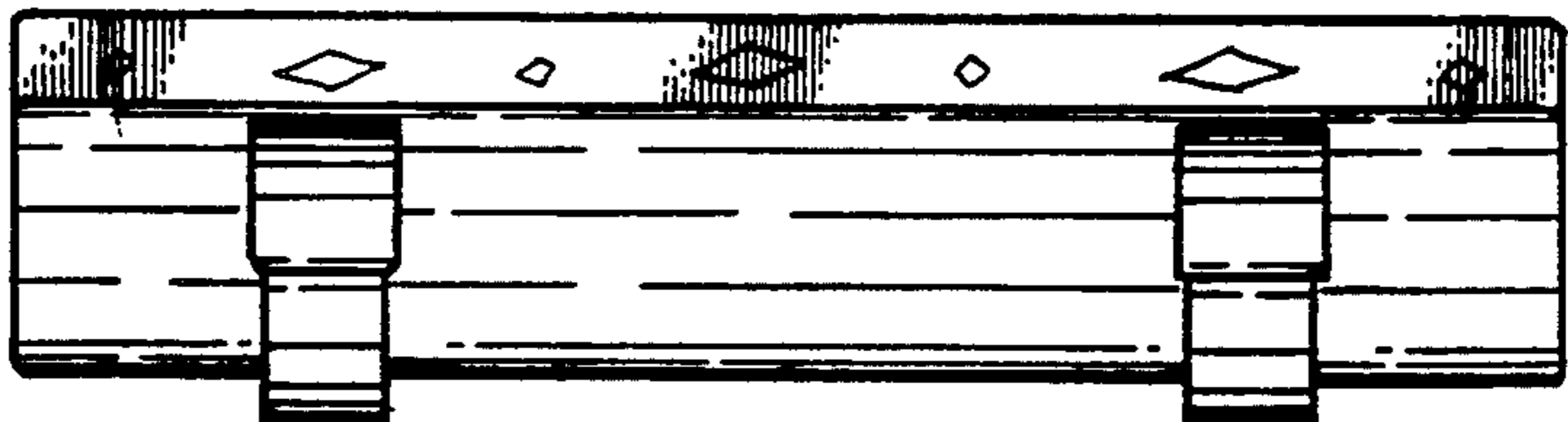


FIG. 2

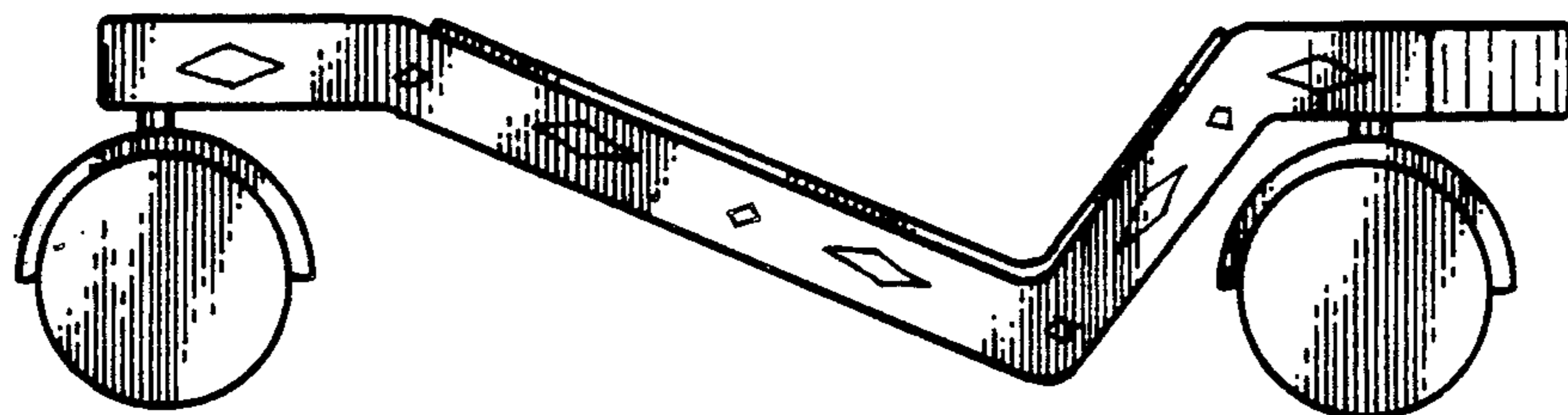


FIG. 4

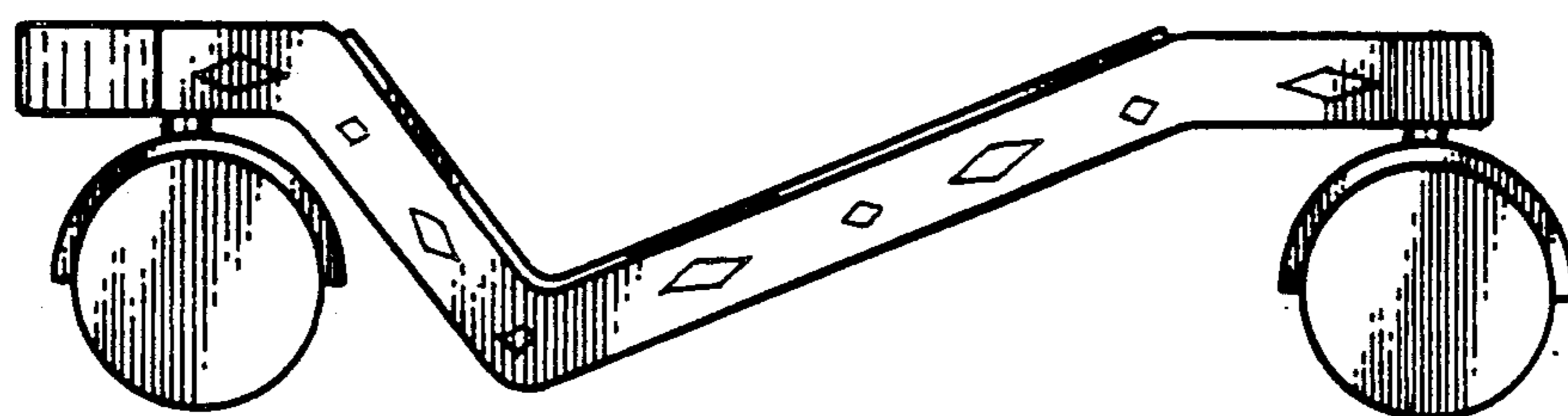


FIG. 5

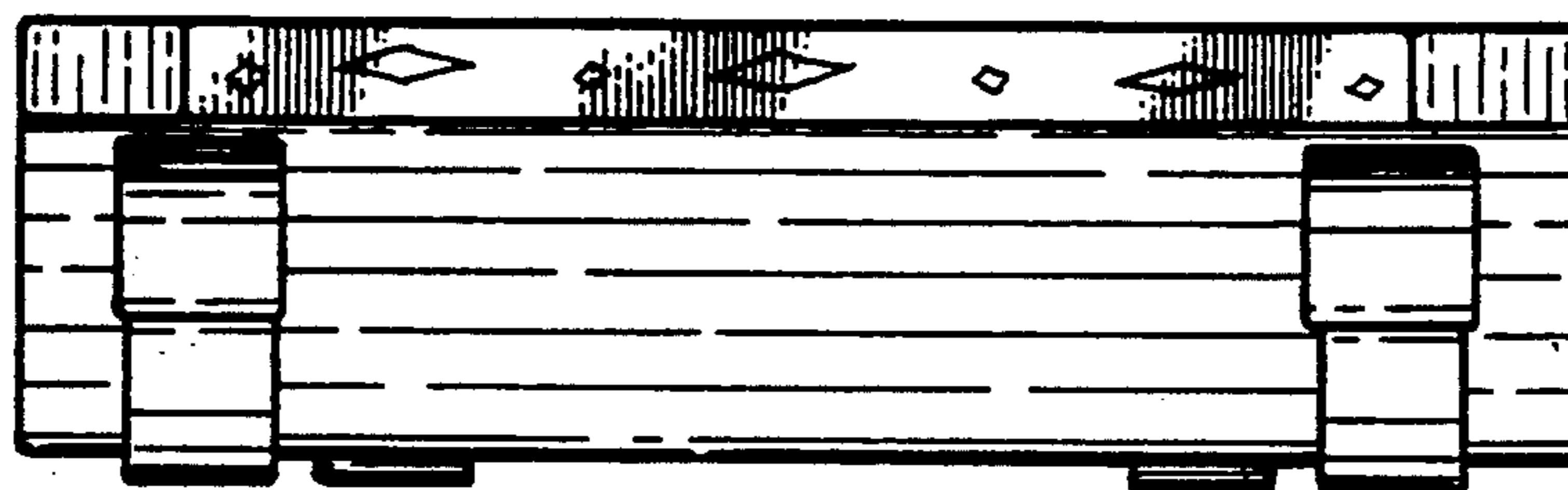


FIG. 3

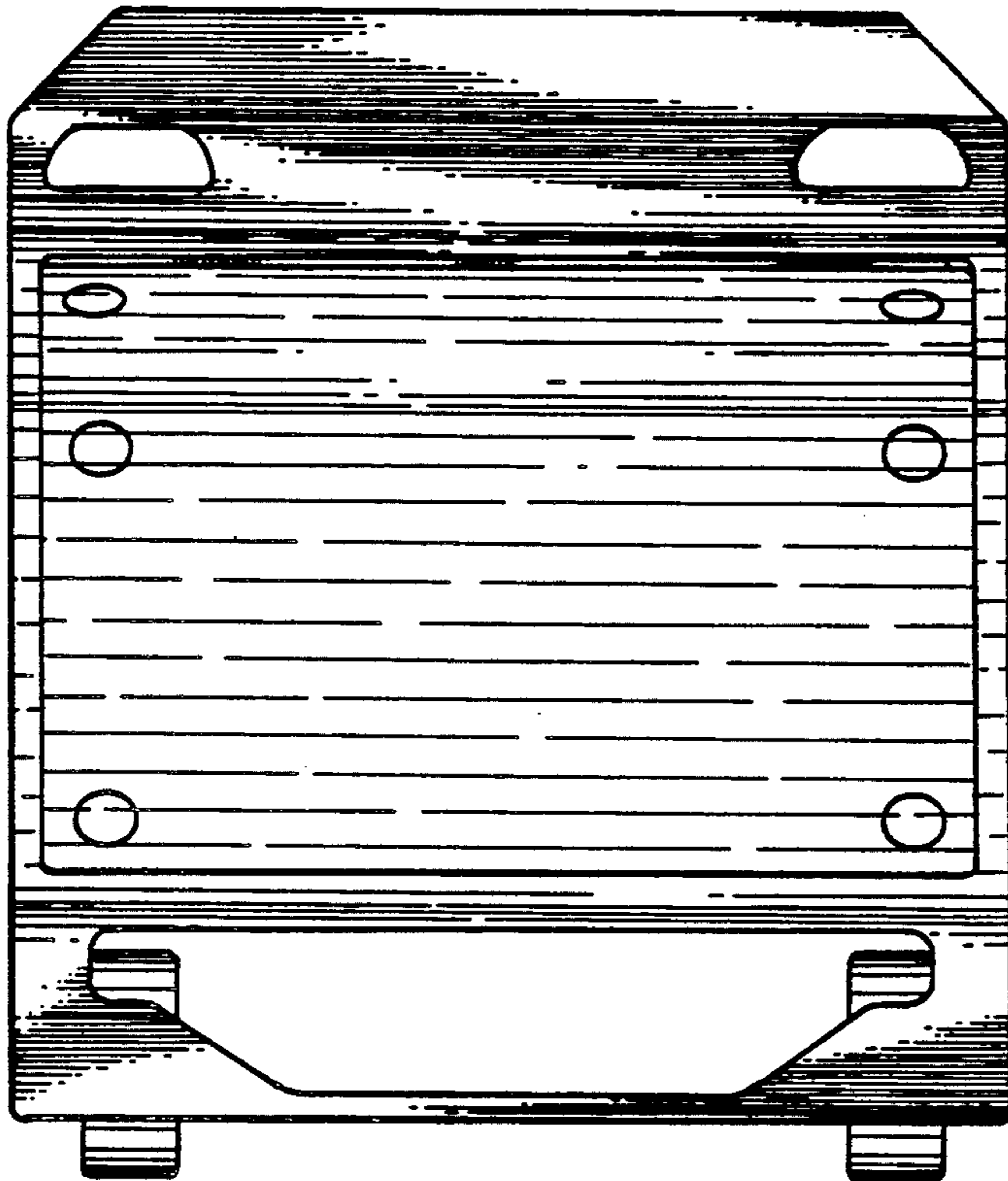


FIG. 6

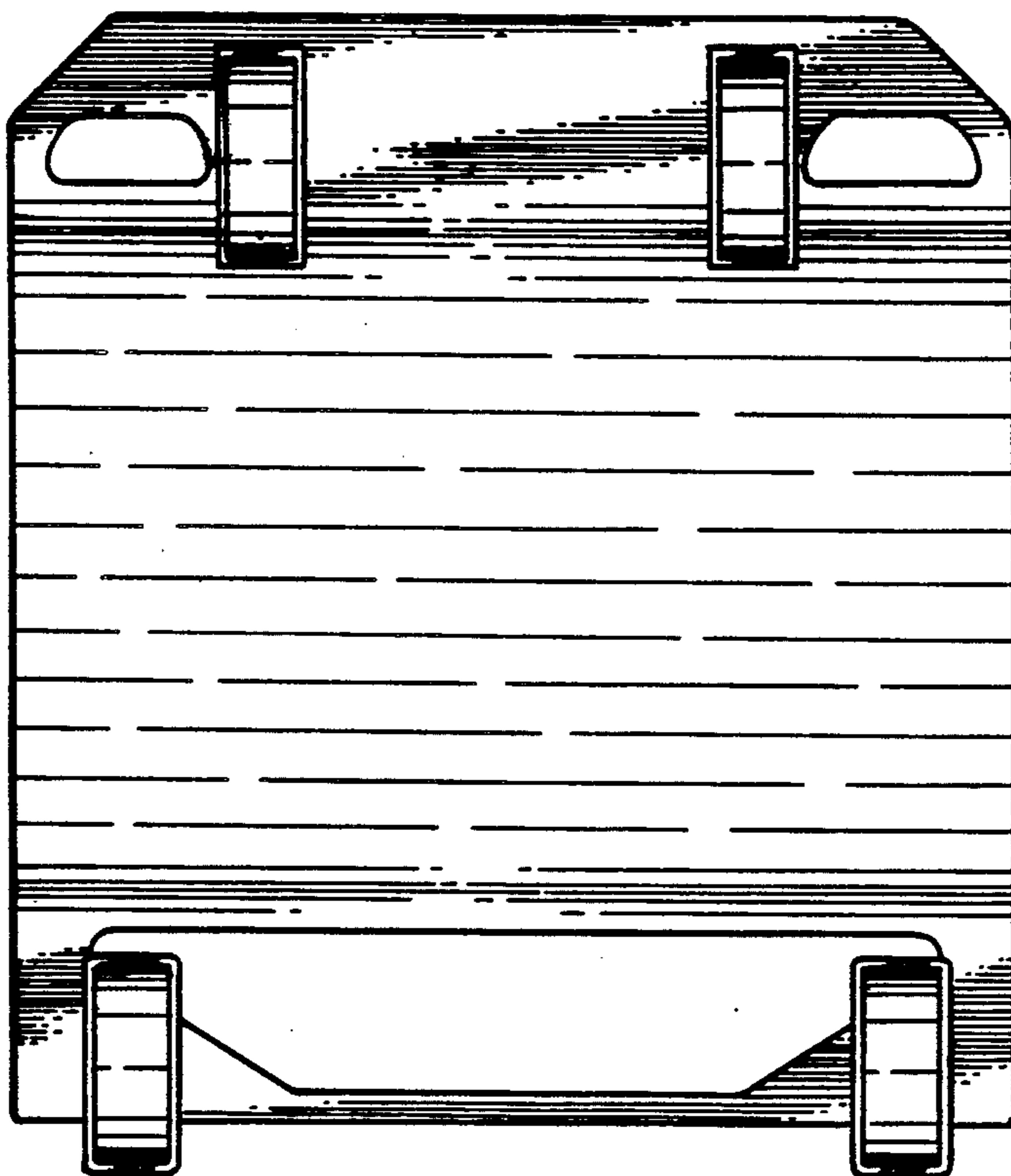


FIG. 7