



US00D324595S

# United States Patent [19]

[11] Patent Number: **Des. 324,595**

Beese et al.

[45] Date of Patent: **\*\* Mar. 10, 1992**

## [54] WASTE CONTAINER

[75] Inventors: **Ulrich Beese, Wenden-Husborn; Martin Schmidt, Breidenbach-Achenbach; Eberhard Sturm, Kreuztal, all of Fed. Rep. of Germany**

[73] Assignee: **Otto Industries, Inc., Charlotte, N.C.**

[\*\*] Term: **14 Years**

[21] Appl. No.: **516,839**

[22] Filed: **Apr. 30, 1990**

[52] U.S. Cl. .... **D34/5; D34/7**

[58] Field of Search ..... **D34/1, 5, 7, 8, 9, 11; 220/908, 909, 331, 345, 338, 337; 232/1 R, 43.2; 280/47.26**

## [56] References Cited

### U.S. PATENT DOCUMENTS

D. 231,184	4/1974	Brown et al. ....	D34/5
D. 291,739	9/1987	Orlowski .....	D34/5
D. 313,491	1/1991	Edelhoff et al. ....	D34/5
4,930,649	6/1990	Moser .....	220/908

## OTHER PUBLICATIONS

Otto Industries Inc., ©1989, "MSD-95" refuse cart.

*Primary Examiner*—Kay H. Chin

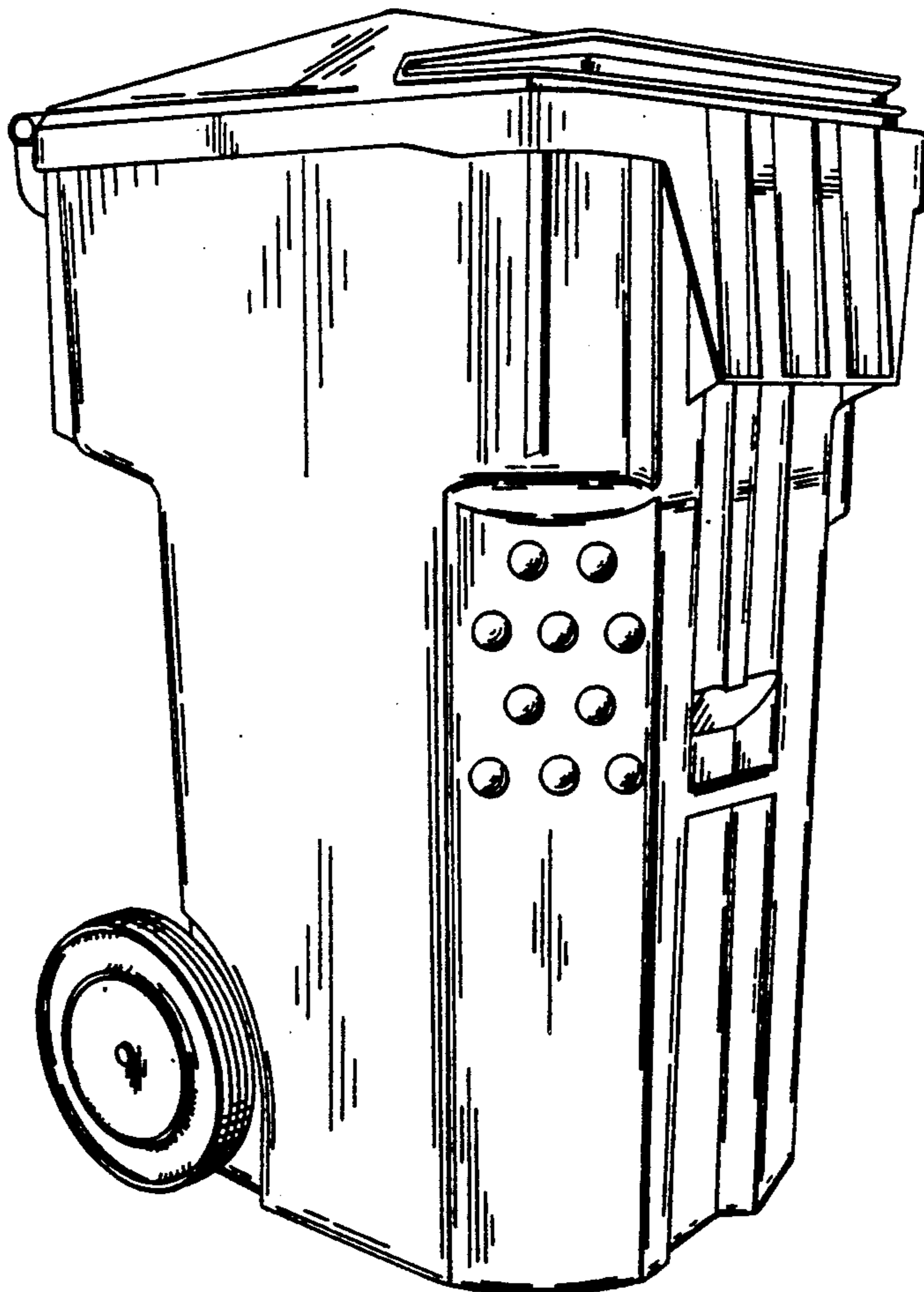
*Attorney, Agent, or Firm*—Bell, Seltzer, Park & Gibson

## [57] CLAIM

The ornamental design for a waste container, as shown and described.

## DESCRIPTION

FIG. 1 is a front perspective view of a waste container showing our new design;  
 FIG. 2 is a rear perspective view thereof;  
 FIG. 3 is a side elevational view thereof, the opposite side view being a mirror image of that shown;  
 FIG. 4 is a side elevational view thereof with the container lid in a fully opened condition;  
 FIG. 5 is a rear elevational view thereof;  
 FIG. 6 is a front elevational view thereof;  
 FIG. 7 is a top plan view thereof; and  
 FIG. 8 is a front elevational view of a second embodiment of the waste container, the top, rear and sides are identical to those views shown in FIGS. 3, 5 and 7. The undisclosed bottom is flat and unornamented.



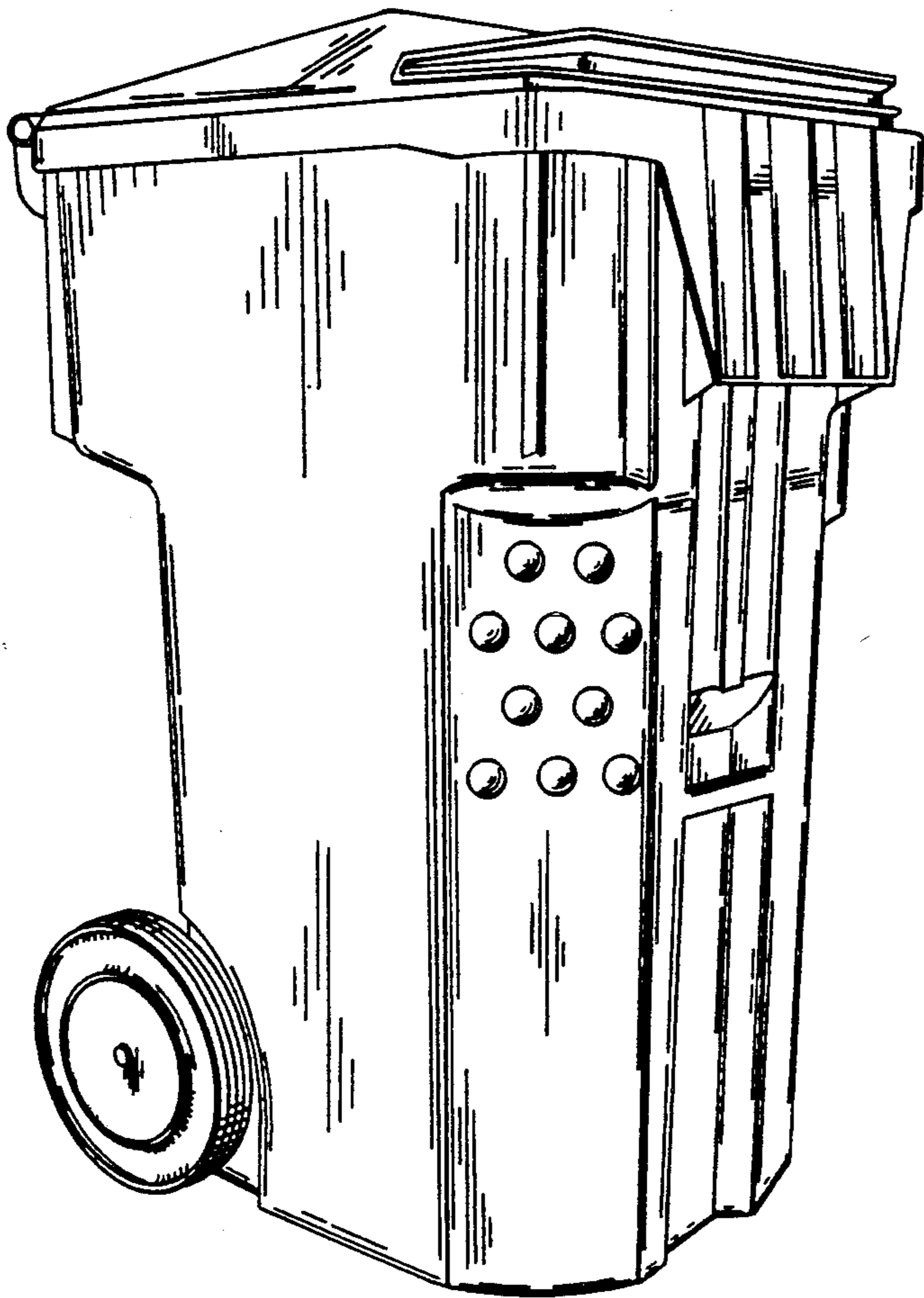


FIG. 1.

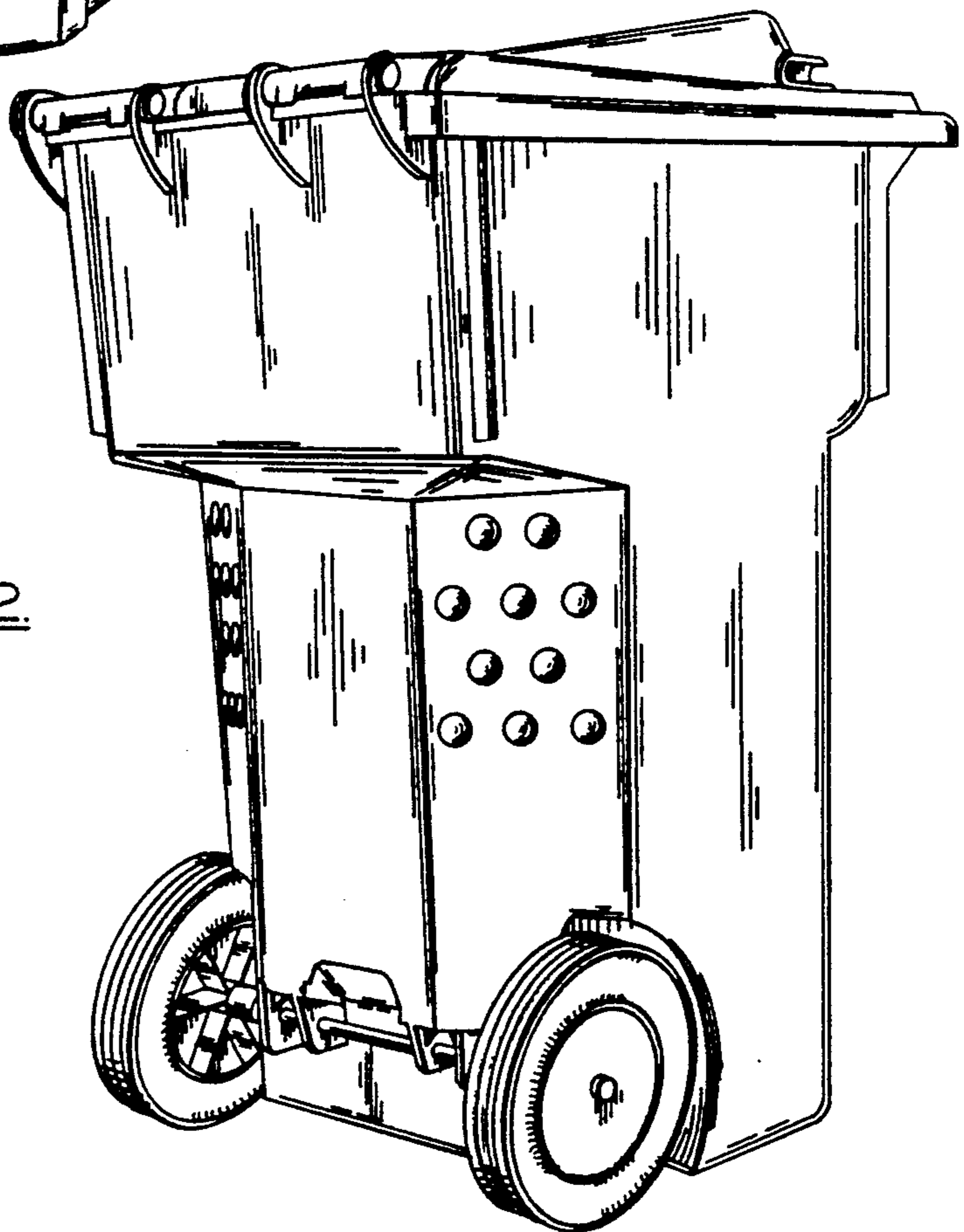


FIG. 2.

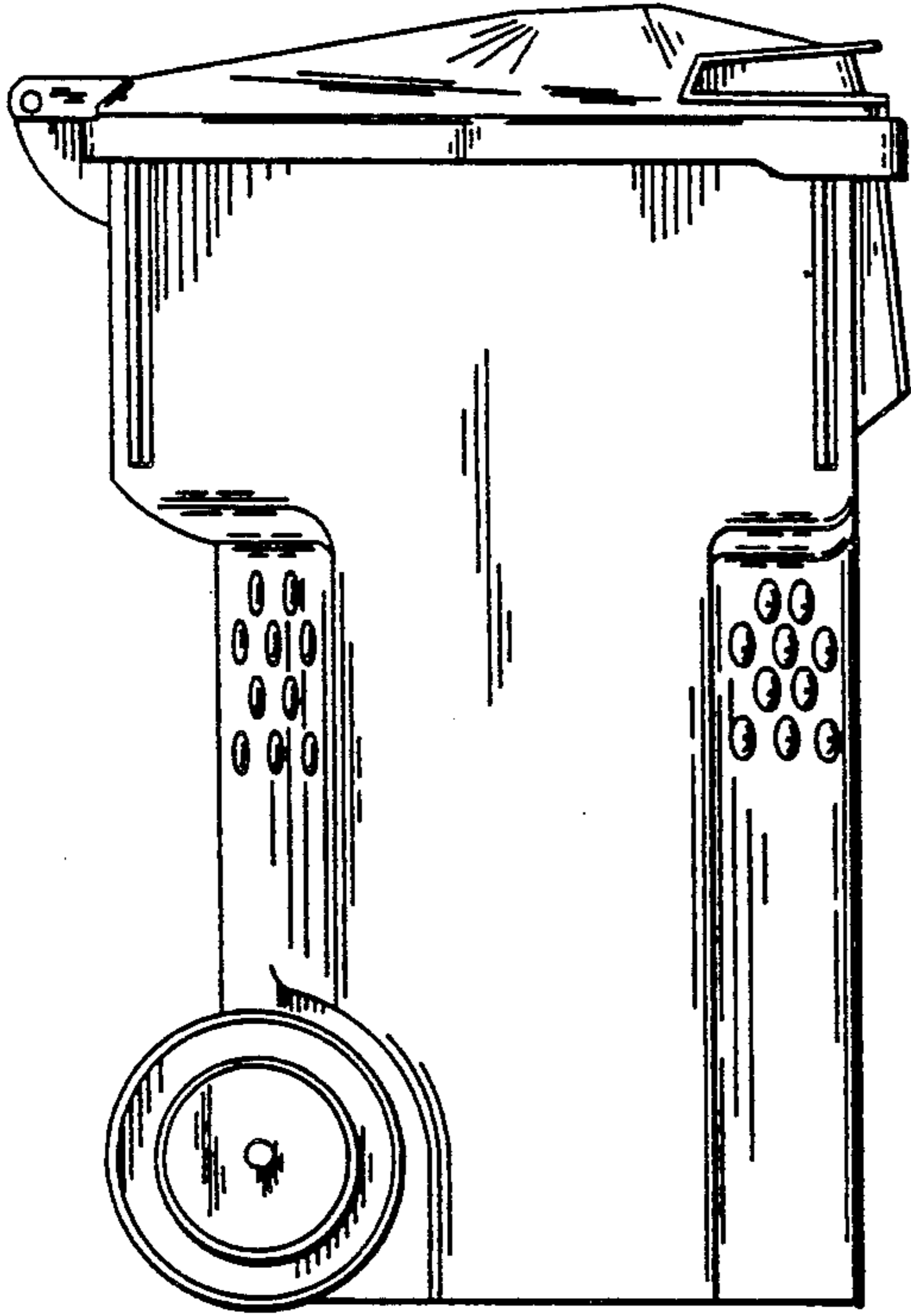


FIG. 3.

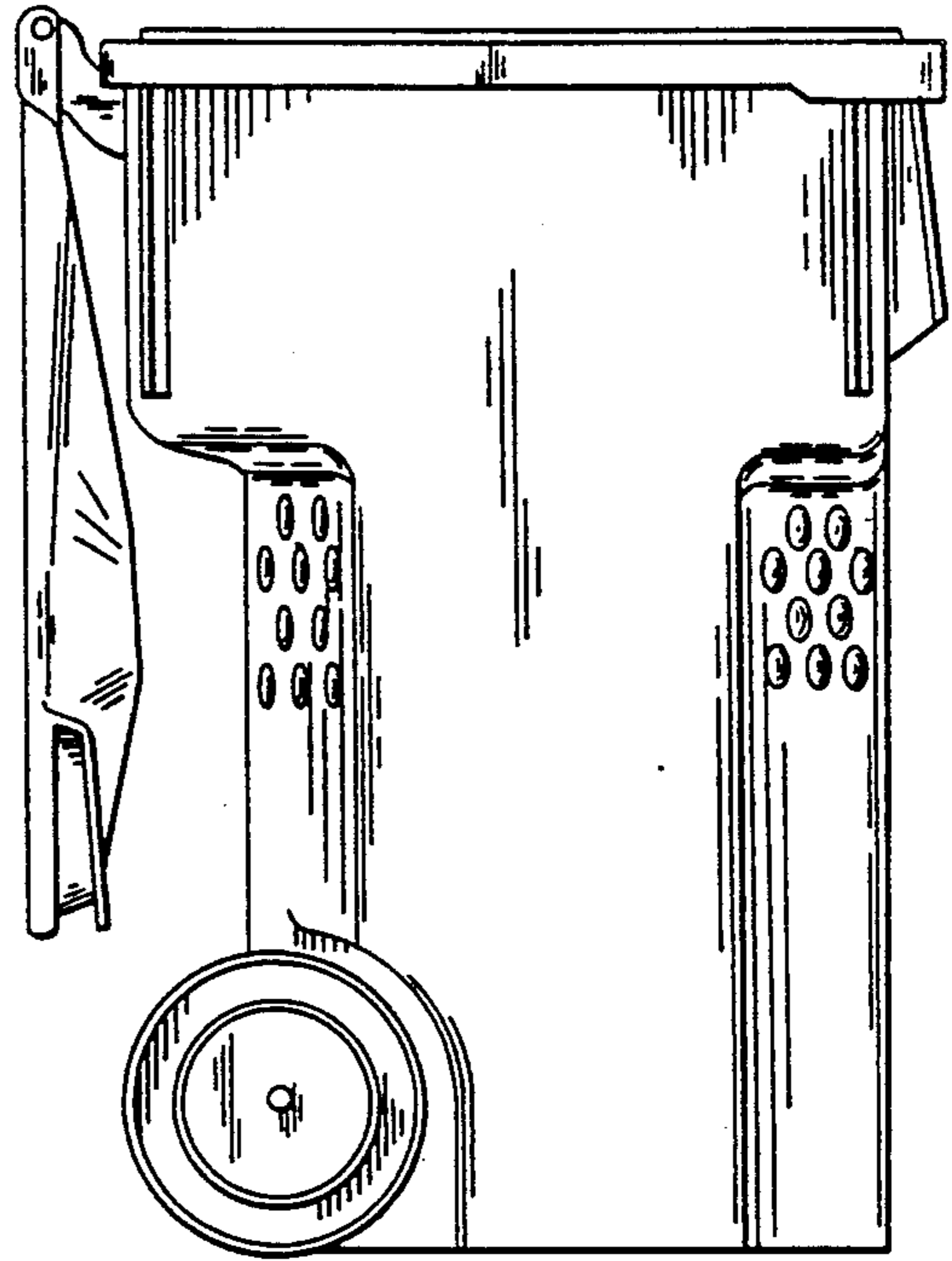


FIG. 4.

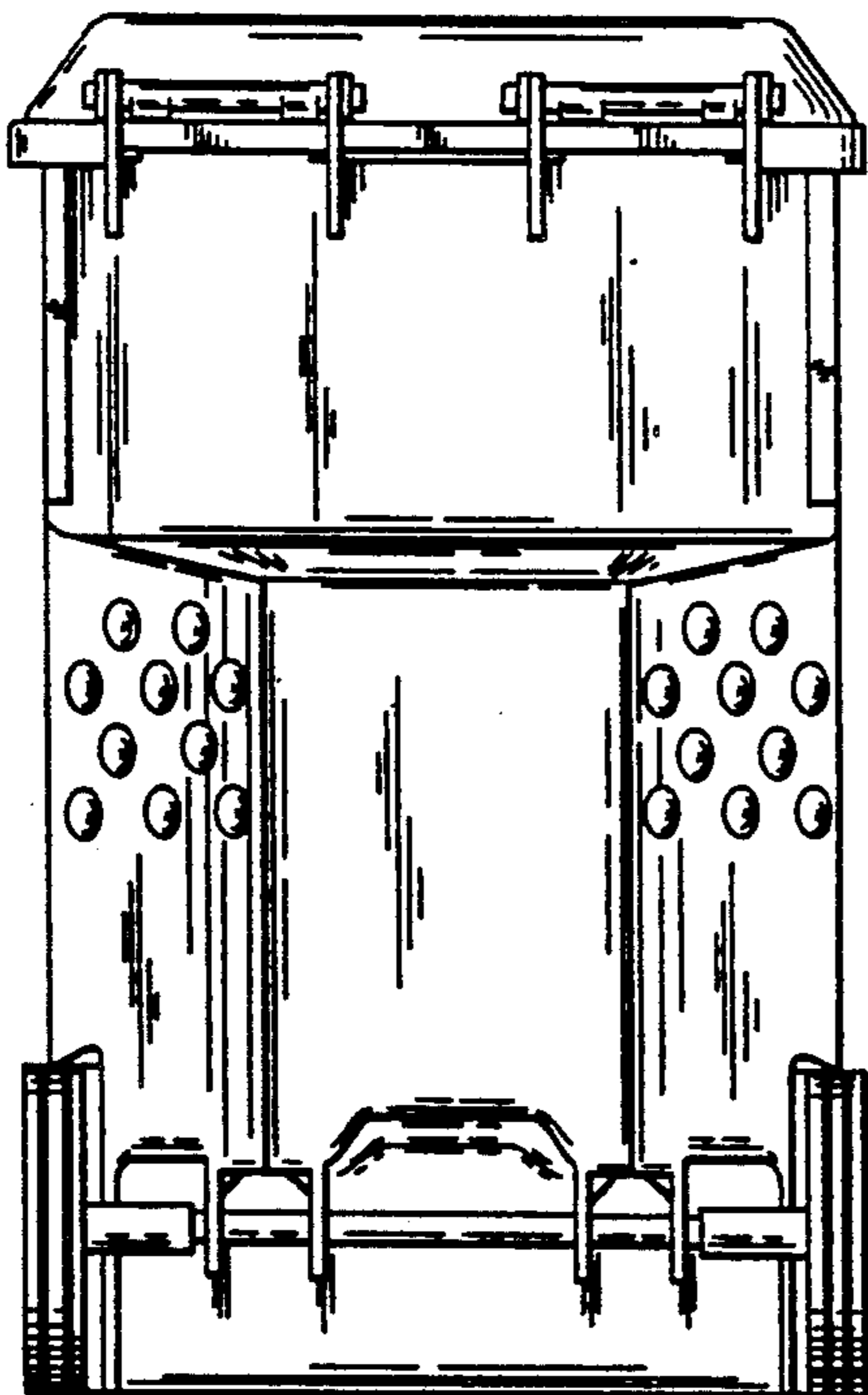


FIG. 5.

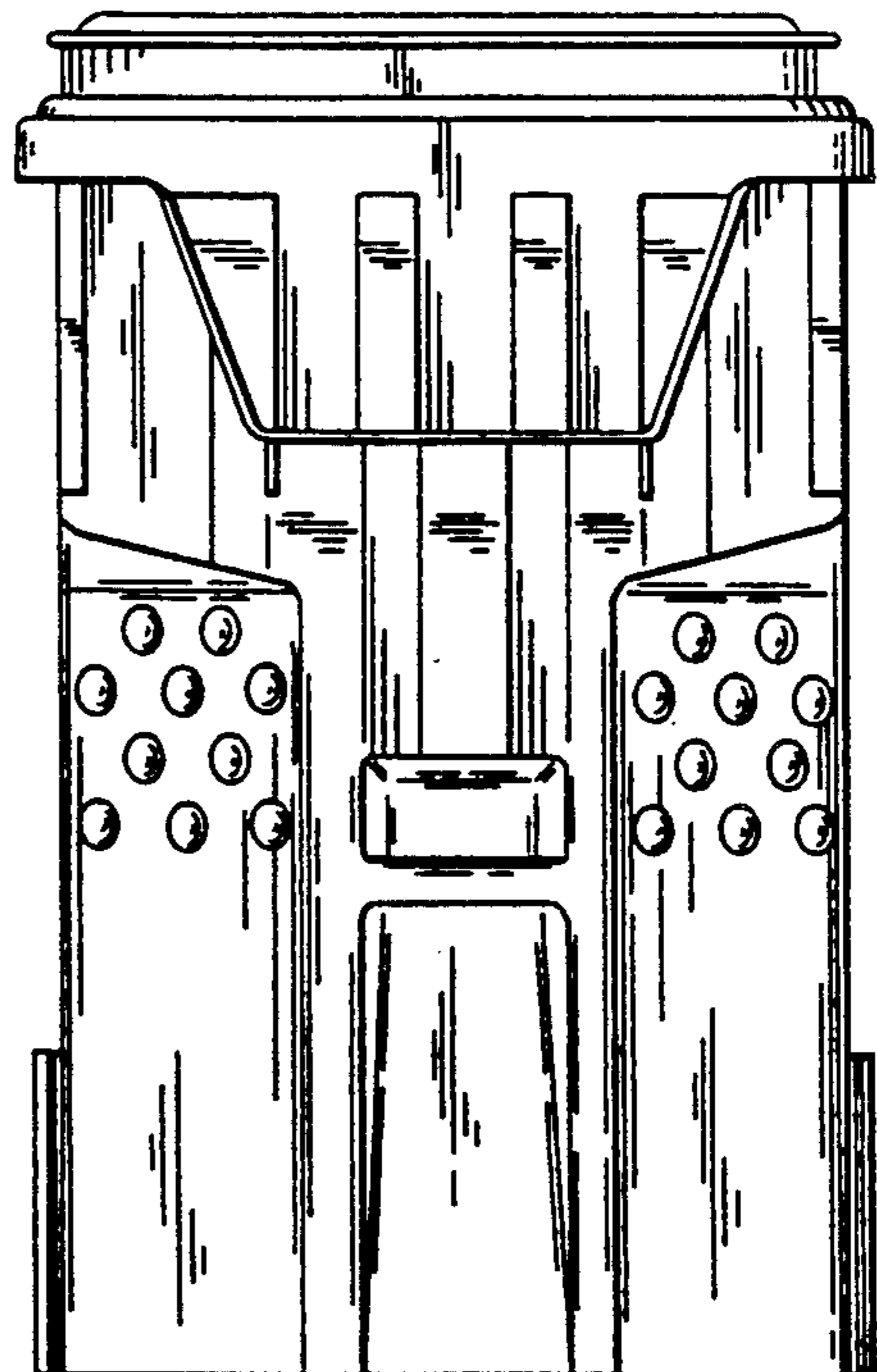


FIG. 6.

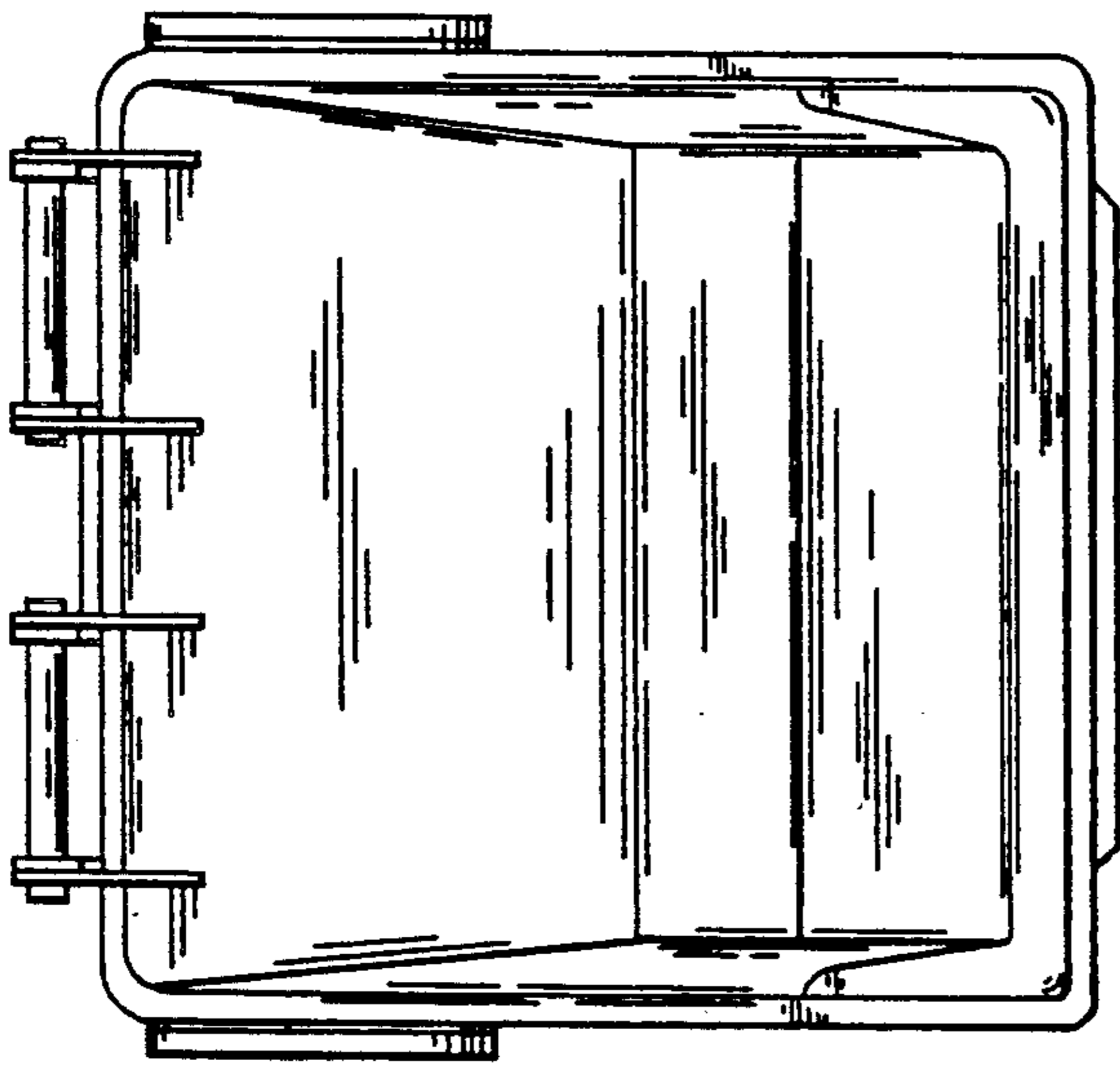


FIG. 7.

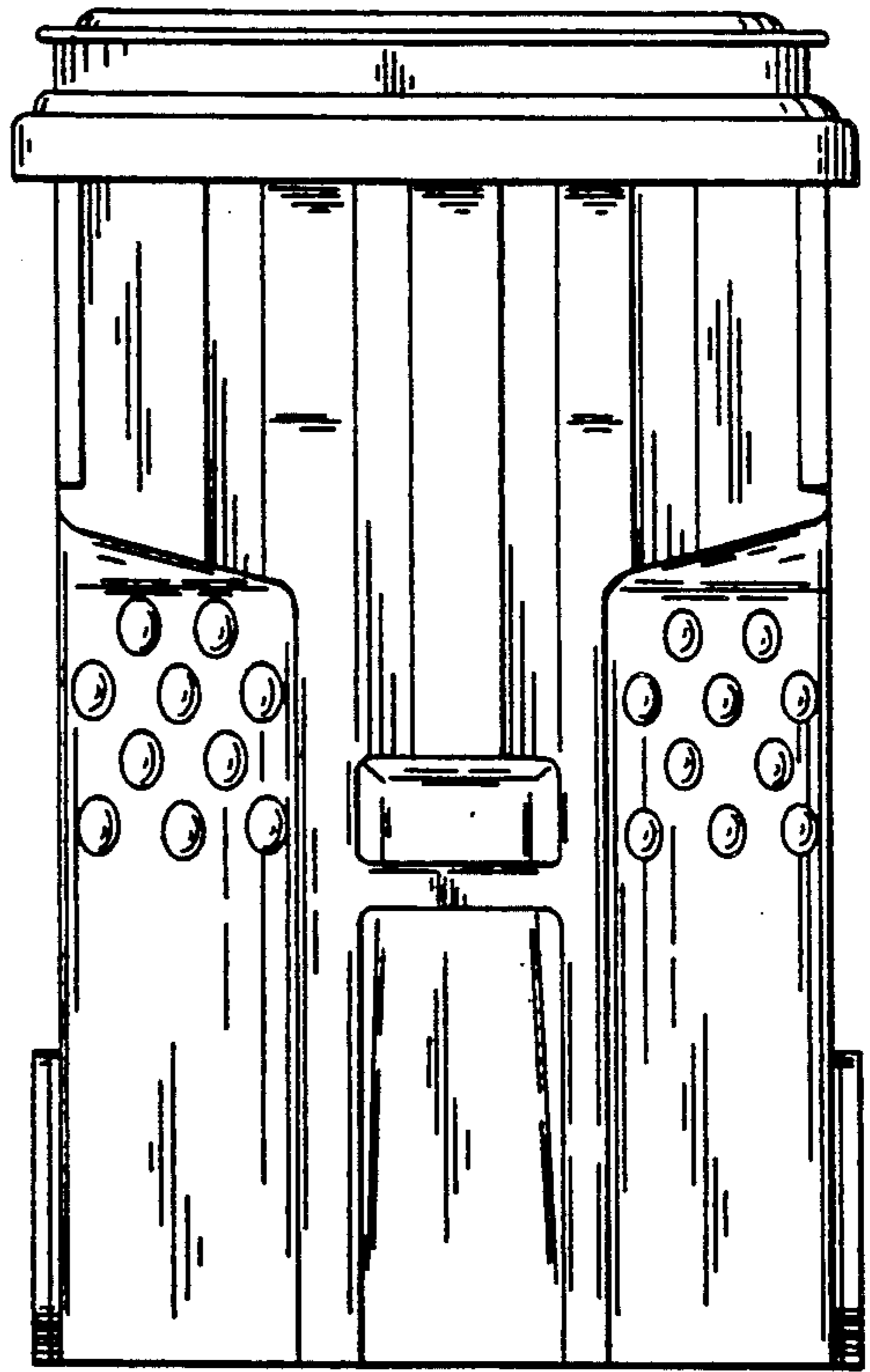


FIG. 8.