



US00D324589S

United States Patent [19]

[11] Patent Number: **Des. 324,589**

Dagnino

[45] Date of Patent: **** Mar. 10, 1992**

[54] **DIVE MASK**

[75] Inventor: **Enzo Dagnino, Genoa, Italy**

[73] Assignee: **Cressi-Sub S.p.A., Genoa-Quinto, Italy**

[**] Term: **14 Years**

[21] Appl. No.: **457,545**

[22] Filed: **Dec. 27, 1989**

[30] **Foreign Application Priority Data**

Feb. 8, 1989 [IT] Italy 15170/89[U]

[52] U.S. Cl. **D29/9**

[58] Field of Search **D29/9, 6; D16/102, 107; 2/12, 13, 15, 435, 444, 452, 439, 428**

[56] **References Cited**

U.S. PATENT DOCUMENTS

D. 277,332 1/1985 Fireman D29/9

D. 310,277 8/1990 Sugila D29/9

OTHER PUBLICATIONS

Skin Diver, Feb. 1980, p. 68, Mask Roundup, "White Stag", Super View #52617.

Primary Examiner—Kay H. Chin

Attorney, Agent, or Firm—Fleit, Jacobson, Cohn, Price, Holman & Stern

[57] **CLAIM**

The ornamental design for a dive mask, as shown and described.

DESCRIPTION

FIG. 1 is a top and front perspective view of a dive mask showing my new design;

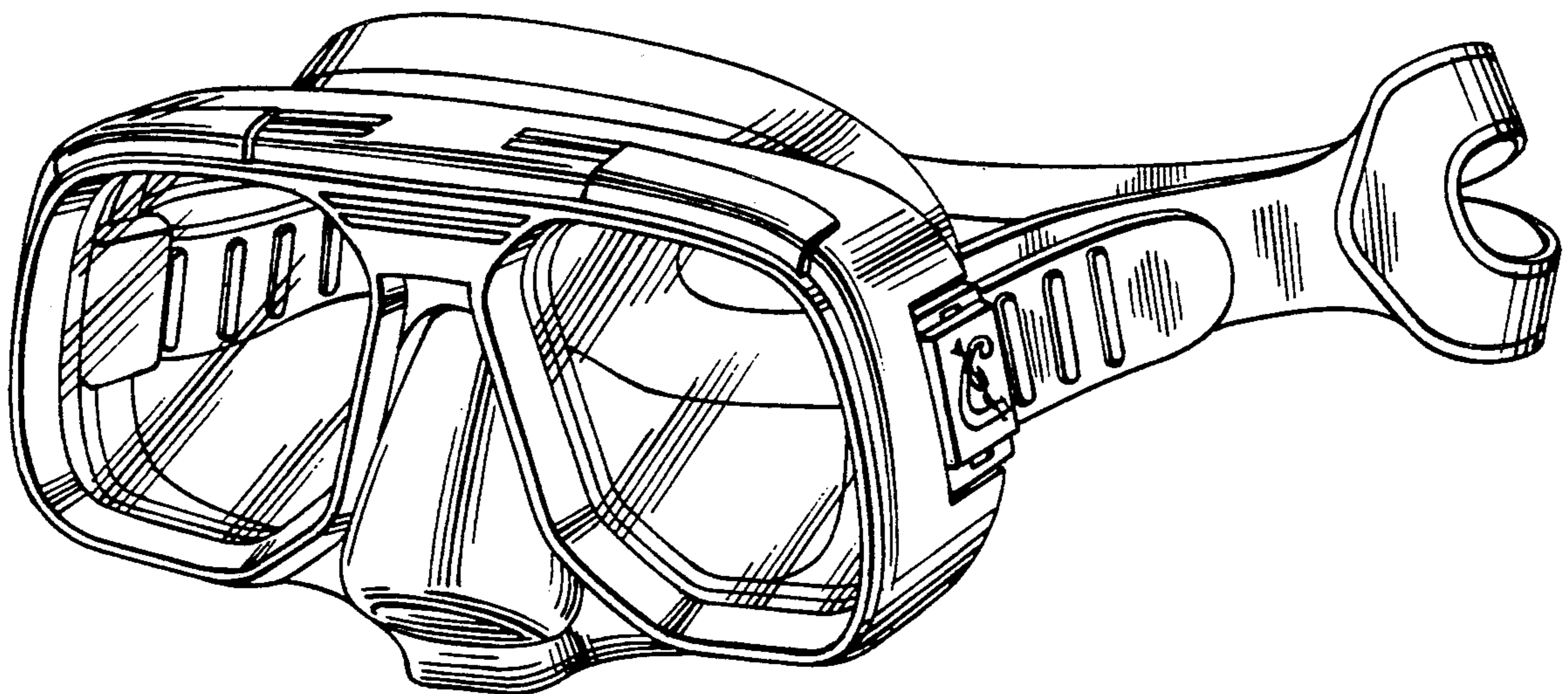
FIG. 2 is a front elevational view thereof;

FIG. 3 is a side elevational view thereof, the opposite side view being a mirror image of that shown;

FIG. 4 is a rear view thereof;

FIG. 5 is a top plan thereof; and

FIG. 6 is a bottom plan thereof.



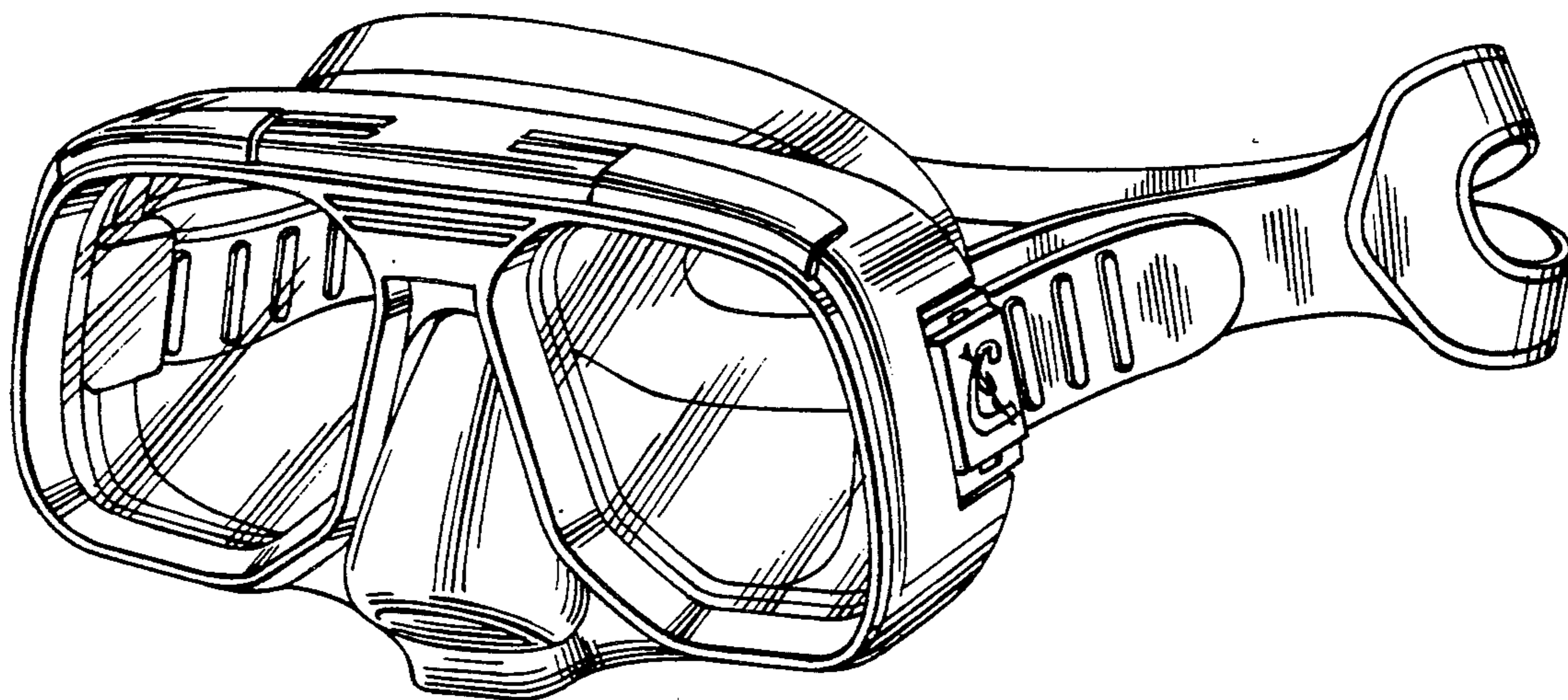


FIG. 1

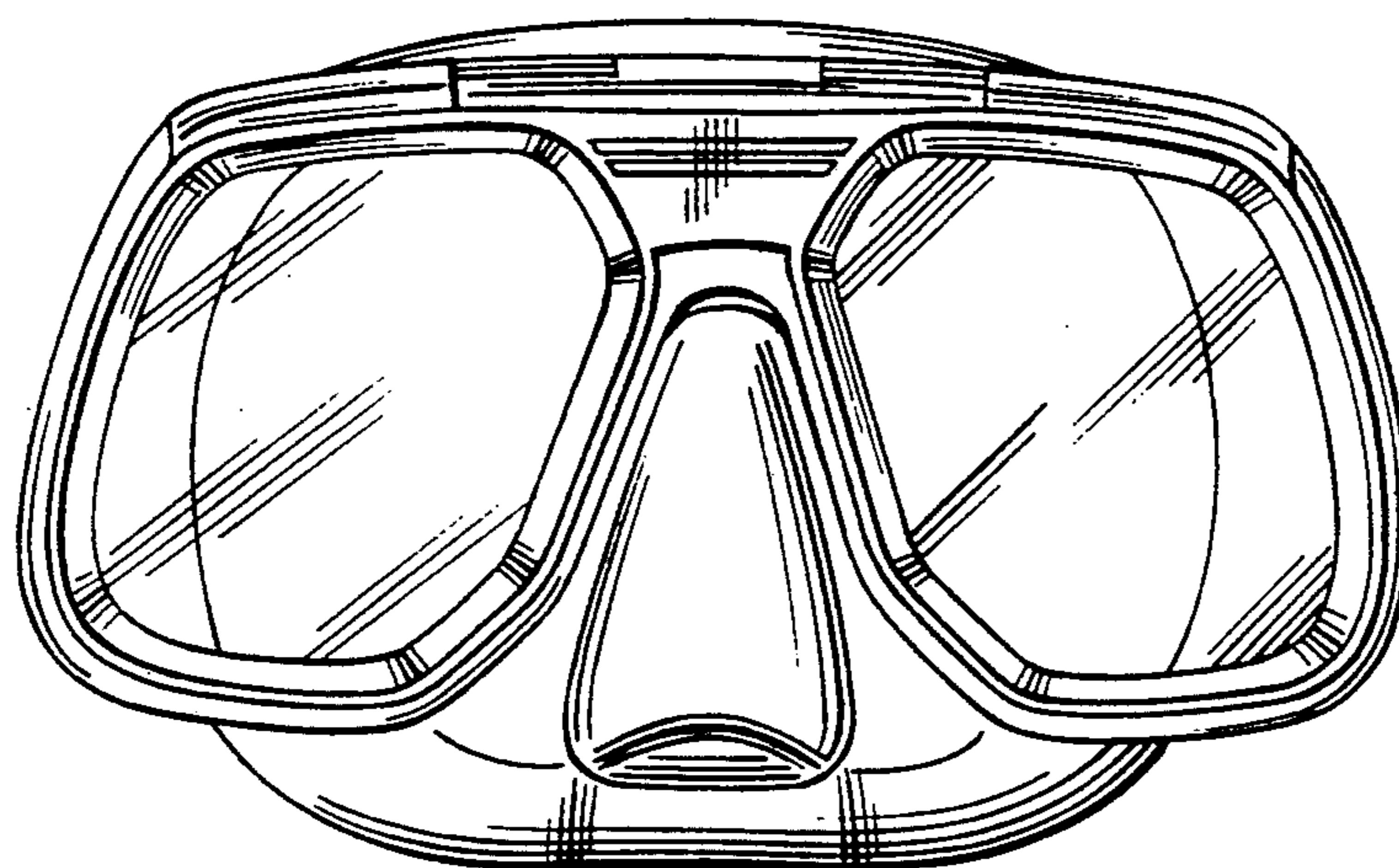


FIG. 2

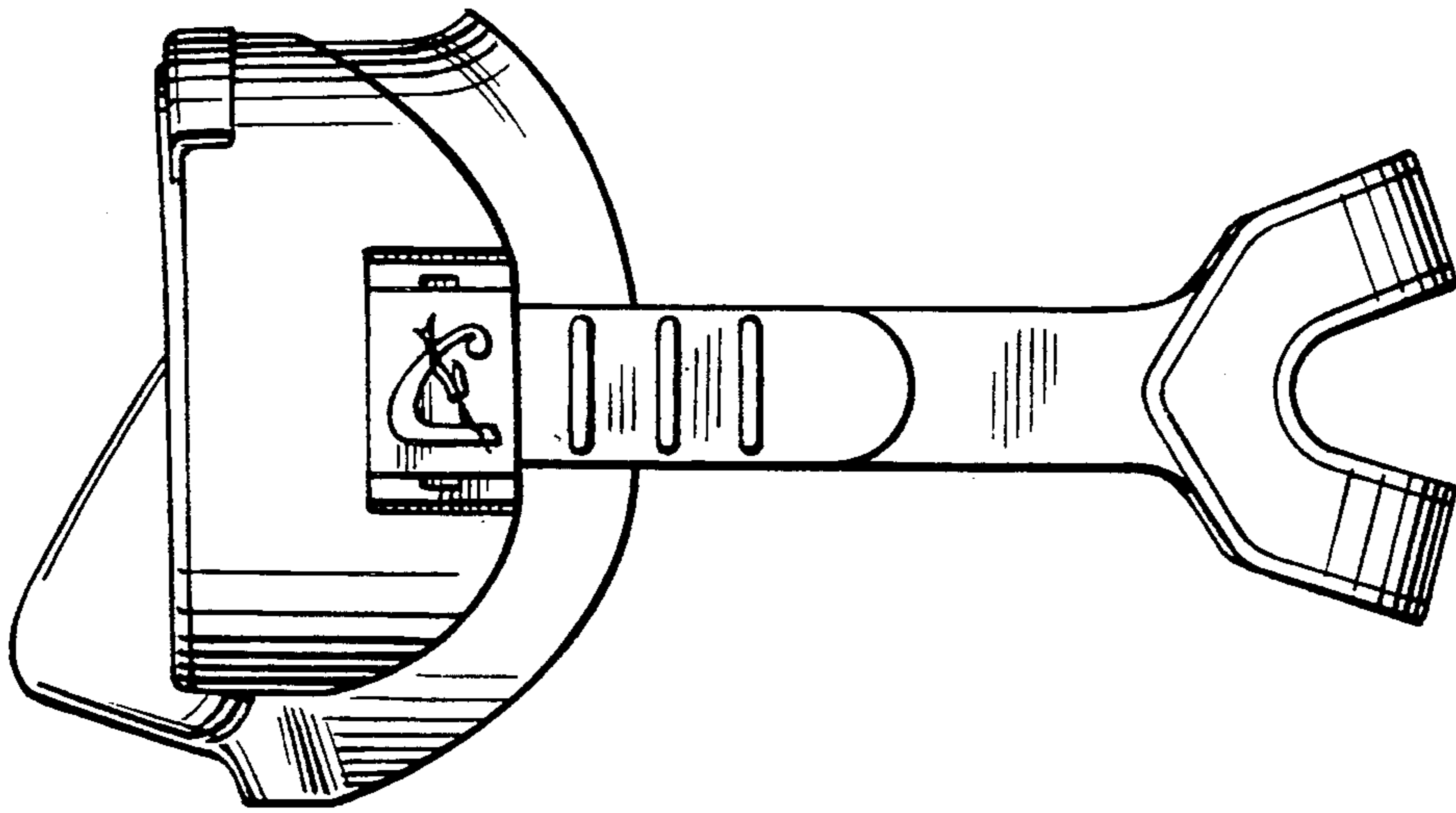


FIG. 3

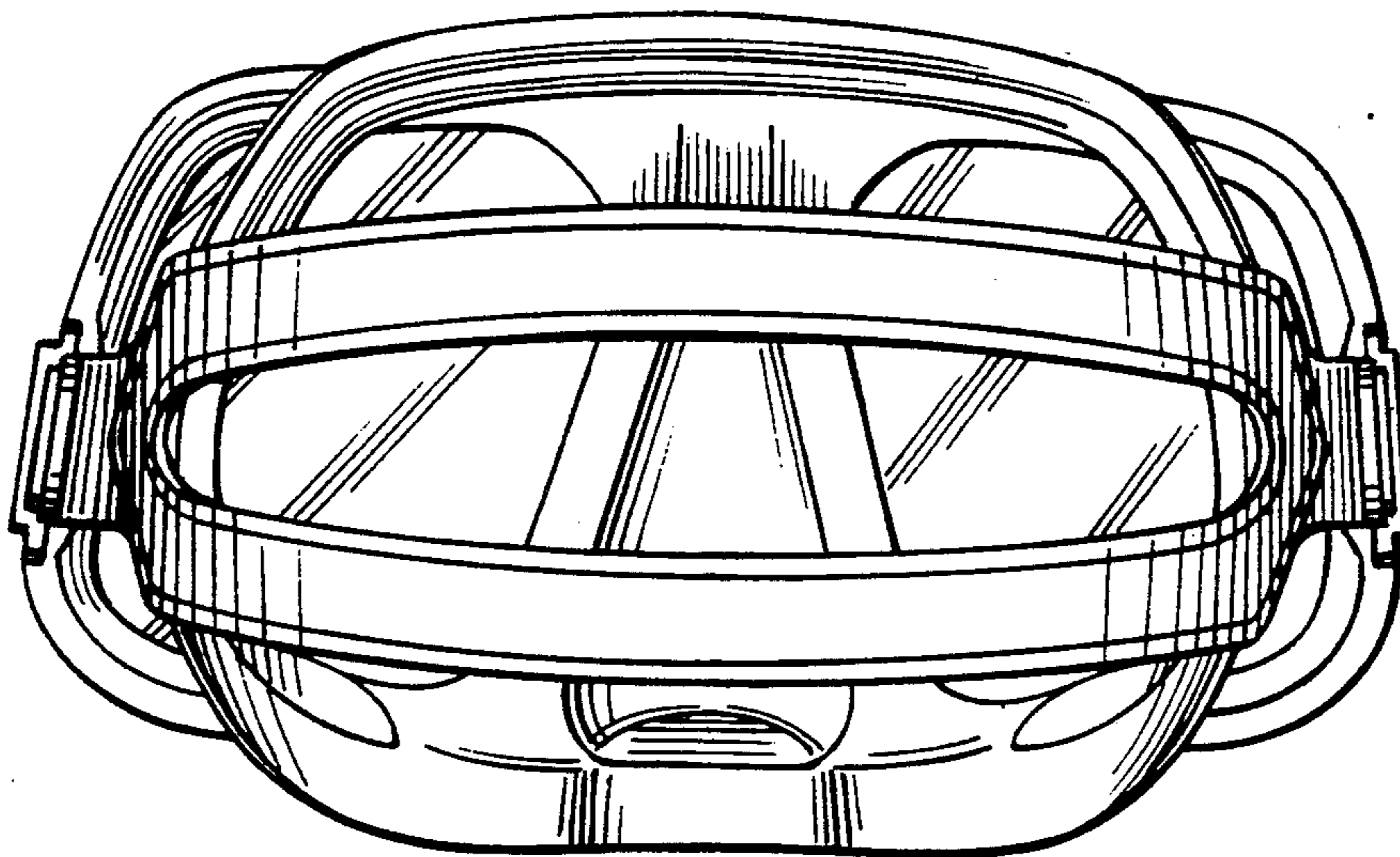


FIG. 4

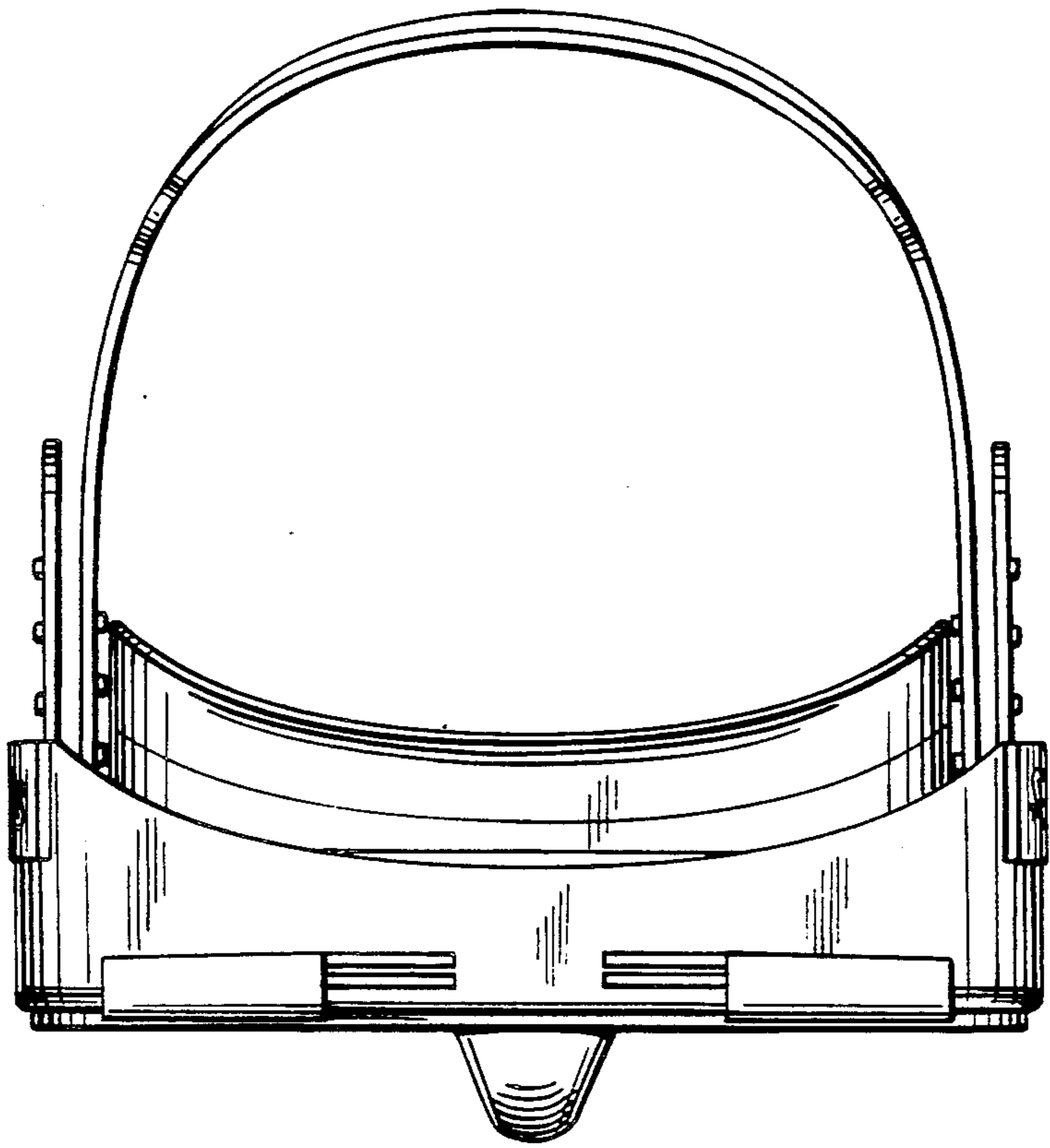


FIG. 5

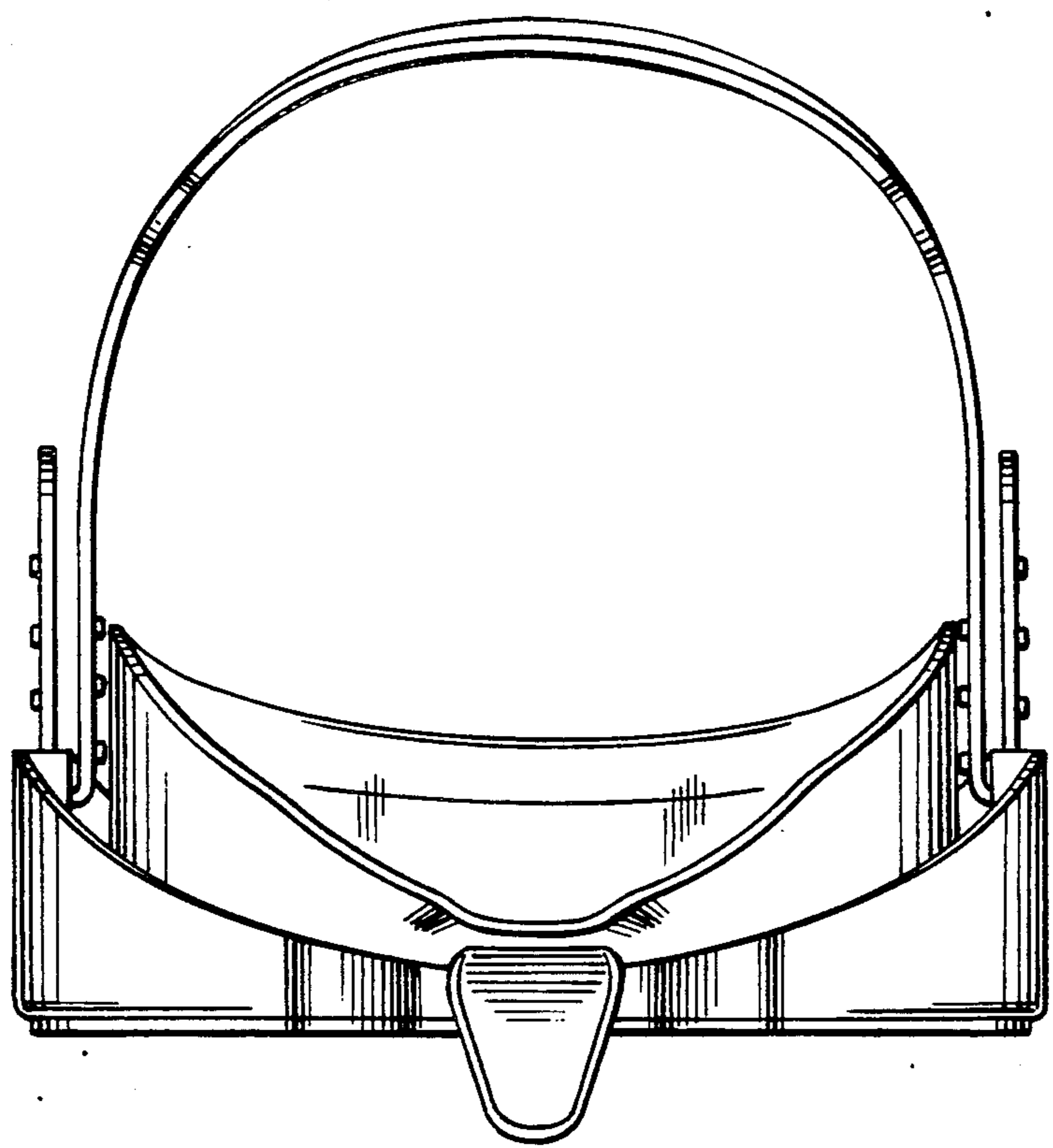


FIG. 6

UNITED STATES PATENT AND TRADEMARK OFFICE
CERTIFICATE OF CORRECTION

PATENT NO. : Des. 324,589

DATED : March 10, 1992

INVENTOR(S) : Enzo DAGNINO

It is certified that error appears in the above-identified patent and that said Letters Patent is hereby corrected as shown below:

On title page, add item

-- [30] Foreign Application Priority Data,
"February 8, 1989" should read --August 2, 1989--.

Signed and Sealed this

Twenty-fourth Day of August, 1993



Attest:

BRUCE LEHMAN

Attesting Officer

Commissioner of Patents and Trademarks