



US00D324584S

United States Patent [19]

[11] Patent Number: Des. 324,584

Beavers et al.

[45] Date of Patent: ** Mar. 10, 1992

[54] PORTABLE STAND FOR LIGHTS OR THE LIKE

4,228,489 10/1980 Martin 362/250
4,245,666 1/1981 Norris 248/171 X

[76] Inventors: Allan E. Beavers, 638 S. Surrey Ct., Grand Junction, Colo. 81501; Robert A. Fulcher, 3229 N. Ridge Dr., Grand Junction, Colo. 81506

FOREIGN PATENT DOCUMENTS

700325 12/1940 Fed. Rep. of Germany 362/419

[**] Term: 14 Years

Primary Examiner—Susan J. Lucas
Attorney, Agent, or Firm—Donald W. Erickson

[21] Appl. No.: 394,841

[57] CLAIM

[22] Filed: Aug. 17, 1989

The ornamental design for a portable stand for lights or the like, as shown and described.

[52] U.S. Cl. D26/140; D26/66

DESCRIPTION

[58] Field of Search D26/93, 102-112, D26/60-66, 138, 140; 248/121, 122, 125; 163.1/168, 169, 170, 171; D16/244

FIG. 1 is a rear perspective view of a portable stand for lights or the like showing our new design, the broken lines being shown for illustrative purposes only;

[56] References Cited

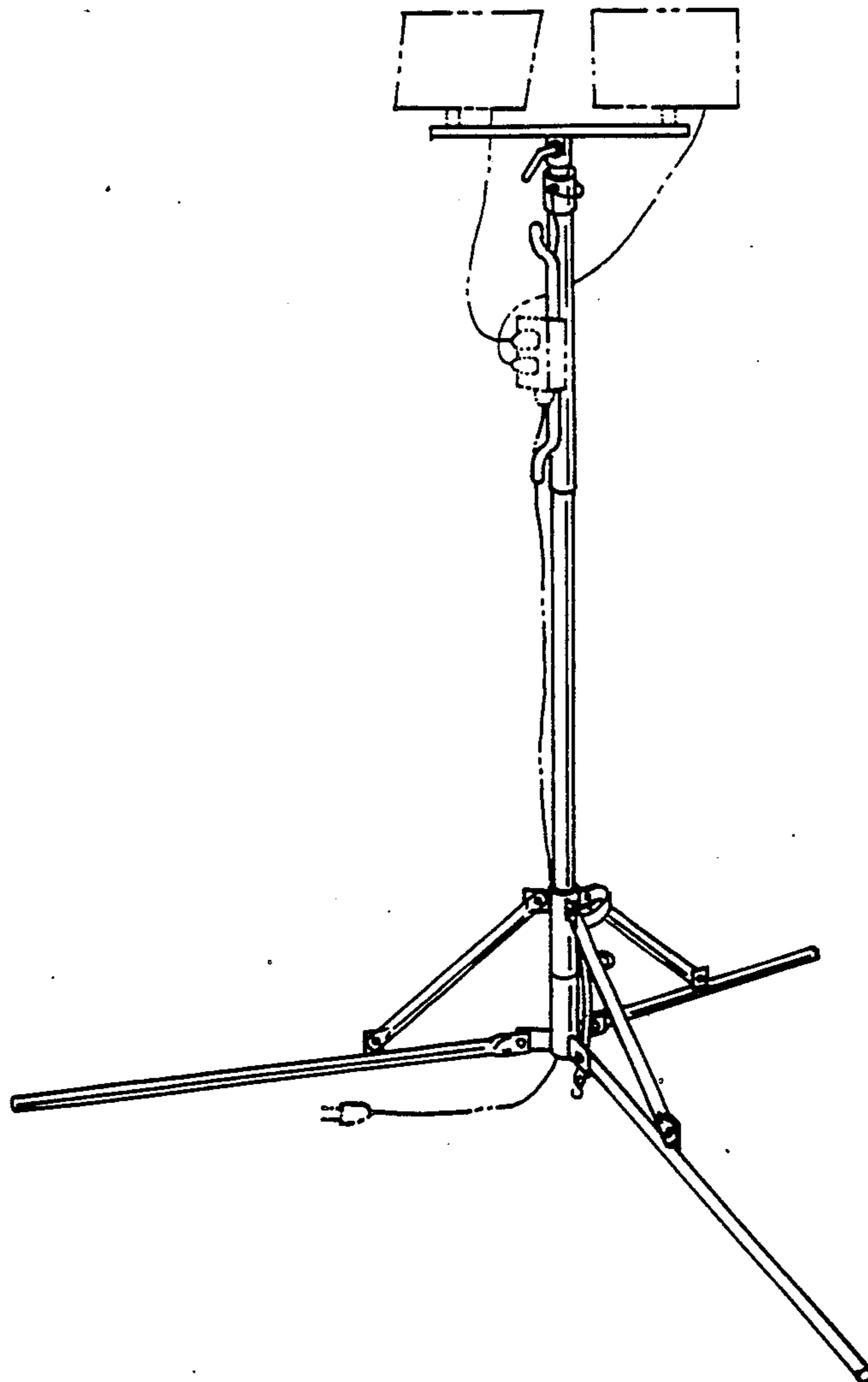
U.S. PATENT DOCUMENTS

918,850 4/1909 Hammerschlag 248/171
1,006,427 10/1911 Boraks 248/171
2,165,562 7/1939 Mack et al. 362/250 X
3,783,262 1/1974 Pile 362/427 X

FIG. 2 is a rear elevational view thereof on an enlarged scale;

FIG. 3 is a side elevational view thereof, on an enlarged scale;

FIG. 4 is a front elevational view thereof; and
FIG. 5 is a top plan view thereof.



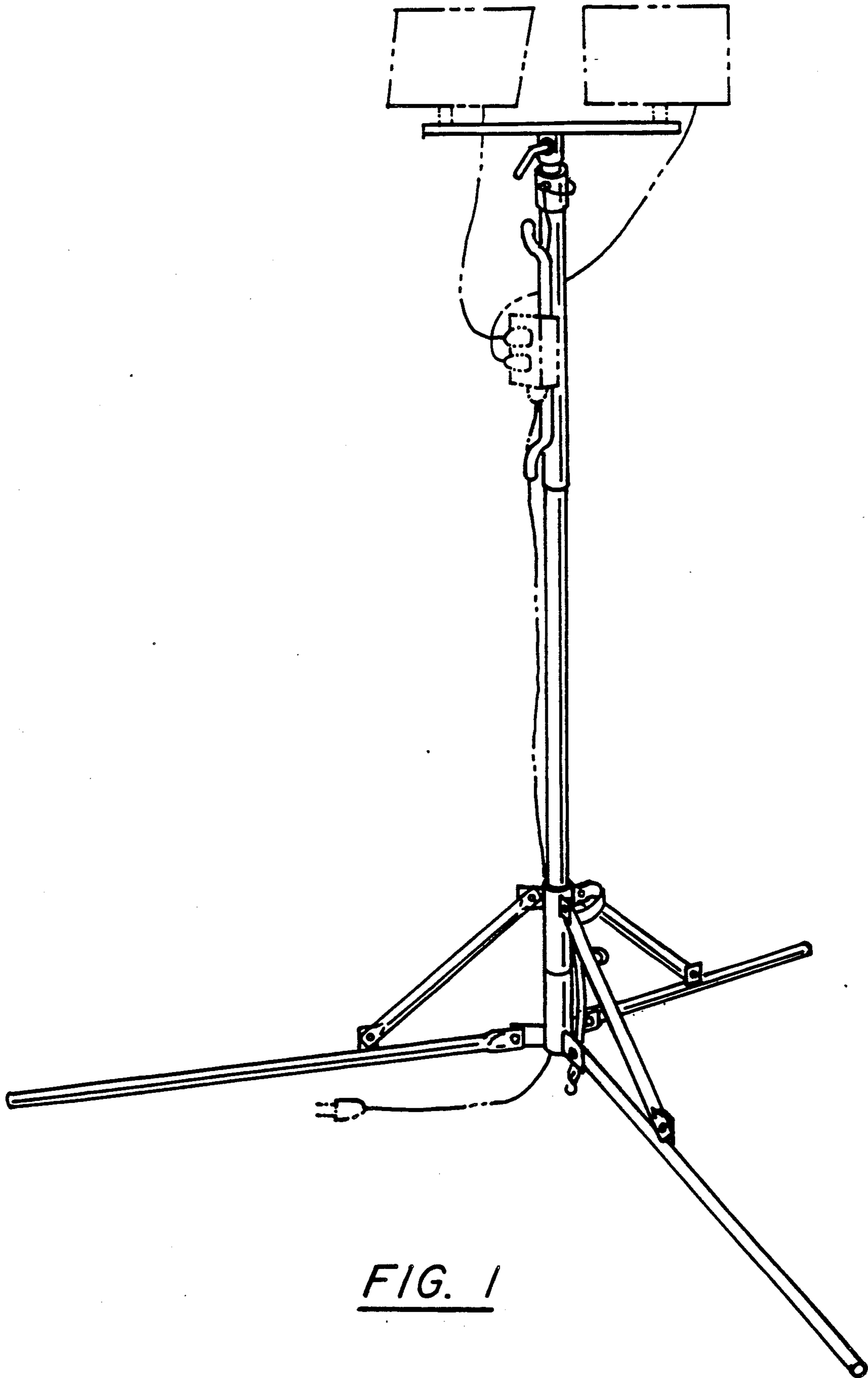


FIG. 1

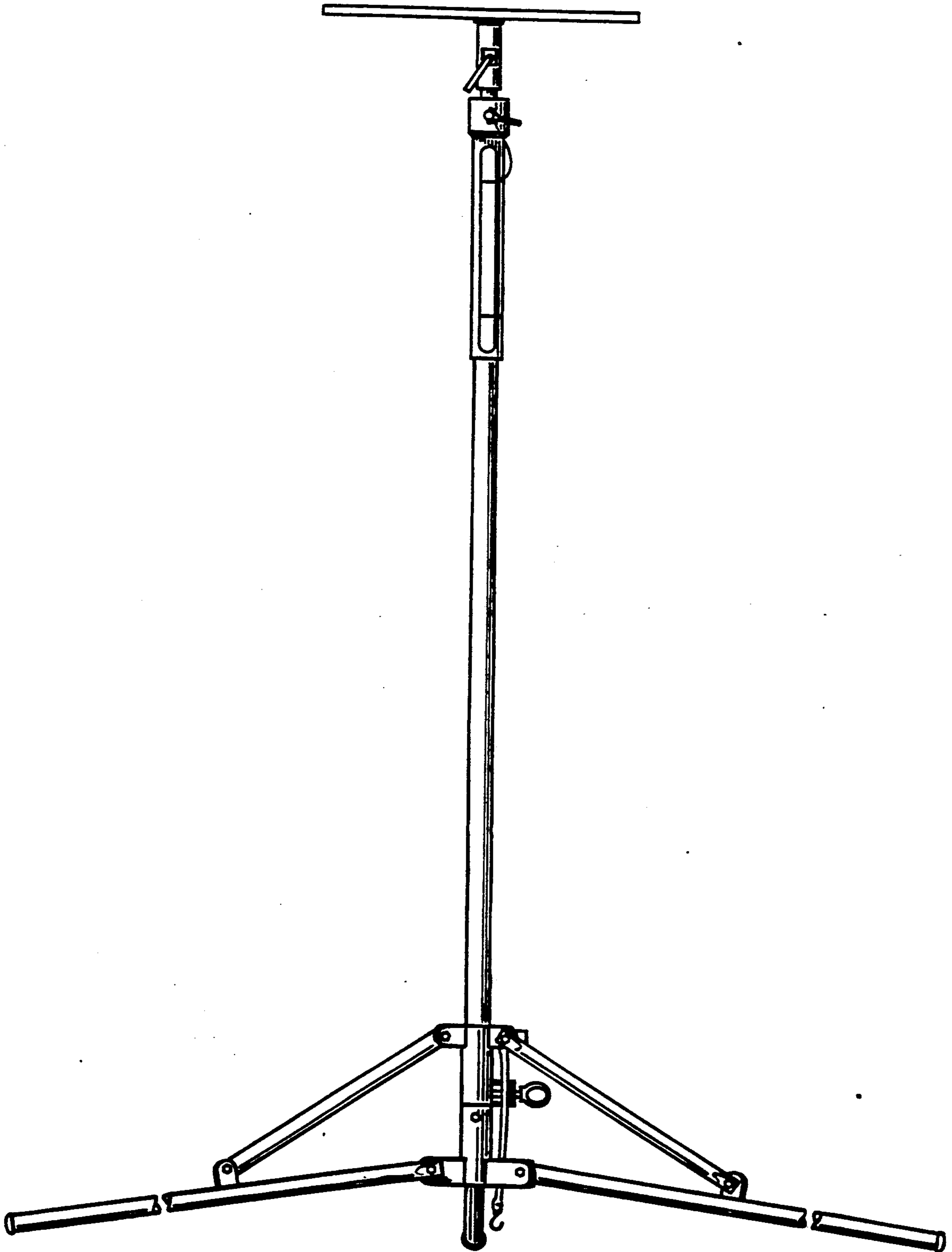


FIG. 2

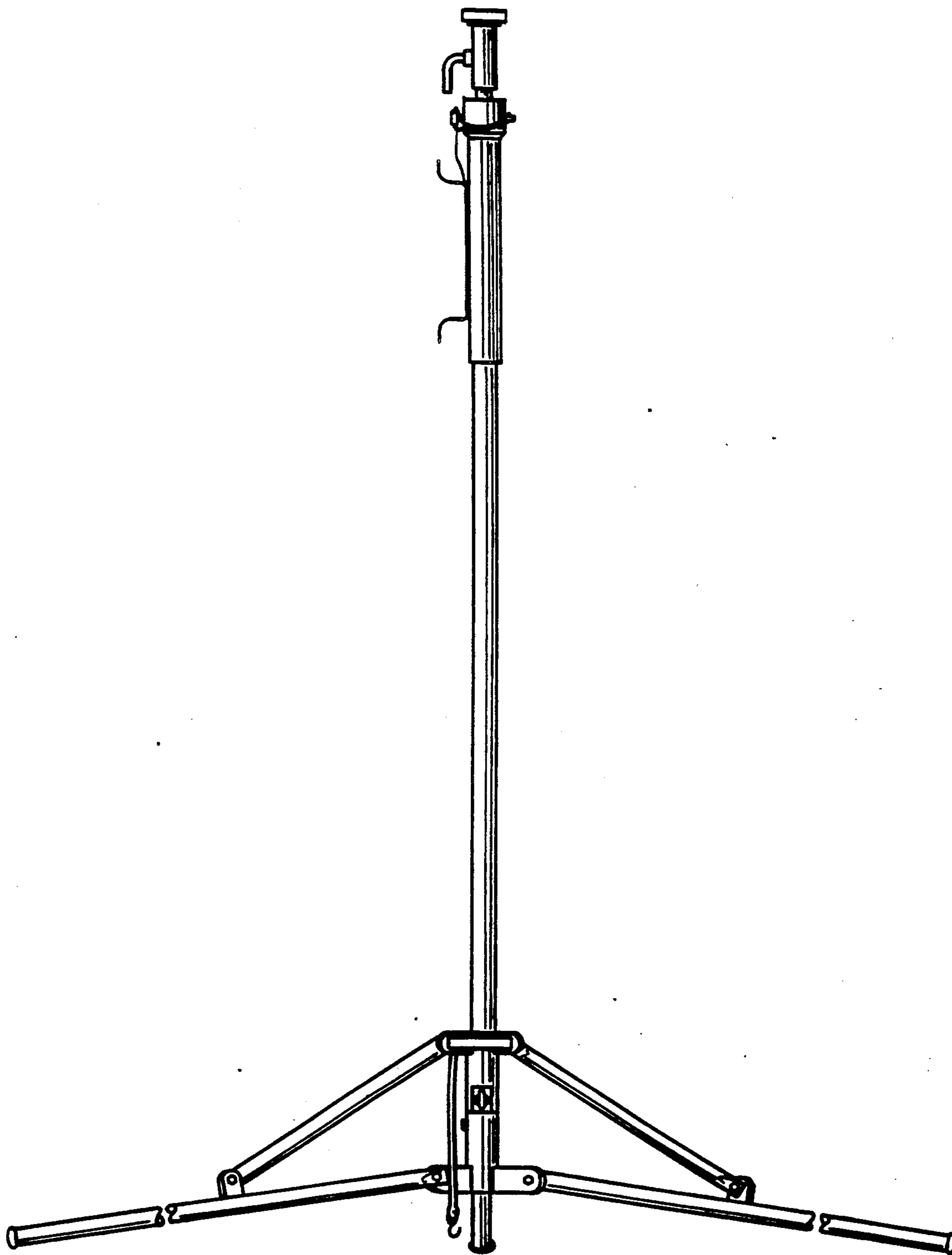


FIG. 3

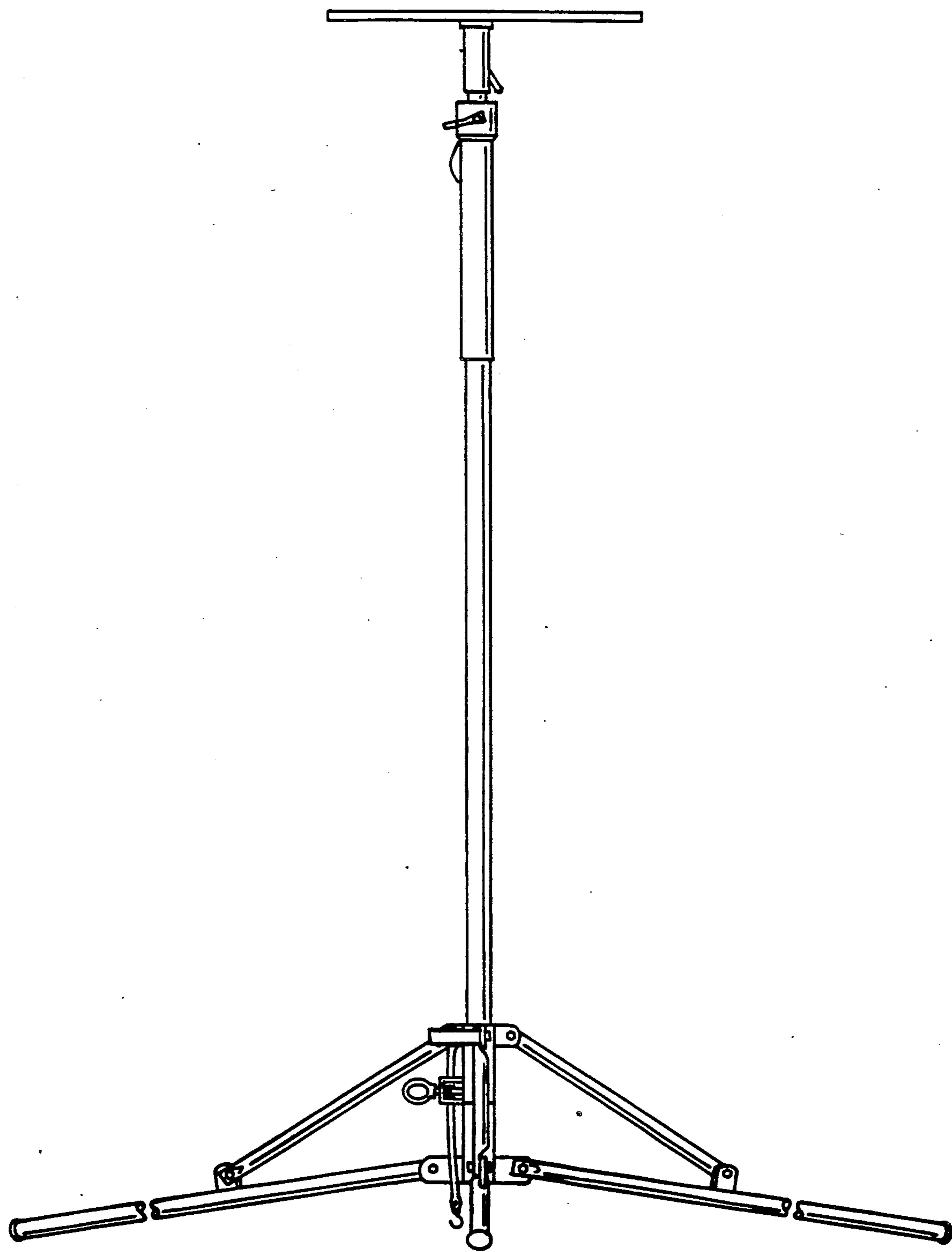


FIG. 4

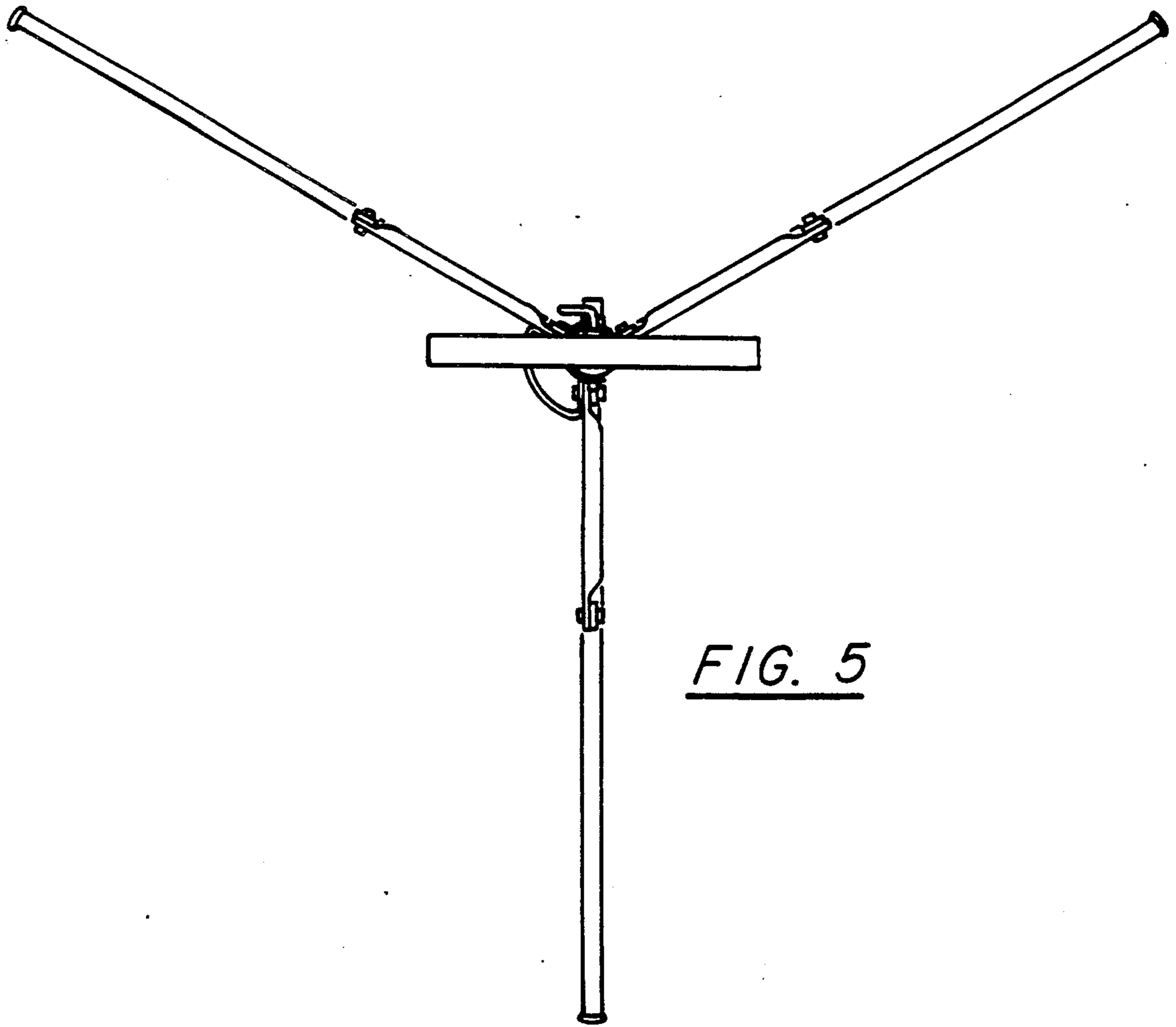


FIG. 5