



US00D324581S

# United States Patent [19]

[11] Patent Number: **Des. 324,581**

Rizzi et al.

[45] Date of Patent: **\*\* Mar. 10, 1992**

## [54] ADJUSTABLE LAMP

[75] Inventors: **John J. Rizzi, Weston; Anthony B. Rorke, Fairfield, both of Conn.**

[73] Assignee: **Westinghouse Electric Corp., Pittsburgh, Pa.**

[\*\*] Term: **14 Years**

[21] Appl. No.: **473,841**

[22] Filed: **Feb. 2, 1990**

[52] U.S. Cl. .... **D26/65**

[58] Field of Search ..... **D26/60-66, D26/72, 92, 87; 362/410-414, 418, 419, 428, 432, 147, 269, 275, 287**

## [56] References Cited

### U.S. PATENT DOCUMENTS

D. 292,236	10/1987	Caldwell	.....	D26/65
D. 304,242	10/1989	Sträter	.....	D26/65
999,283	8/1911	White	.....	362/410 X

## OTHER PUBLICATIONS

C L S © "Portable Taskmaster"™ Lighting Catalog, 1988, Adjustable Lamp #TM-705-BT.  
 Form, 1-1985, p. 31, Adjustable Clamp-on Lamp.  
 Nessen Lamps Catalog #13, ©1981, p. 15, Wall Mounted Adjustable Lamp #NW1059cp.  
 House & Garden, 5-1952, p. 34, Wall Lamp.

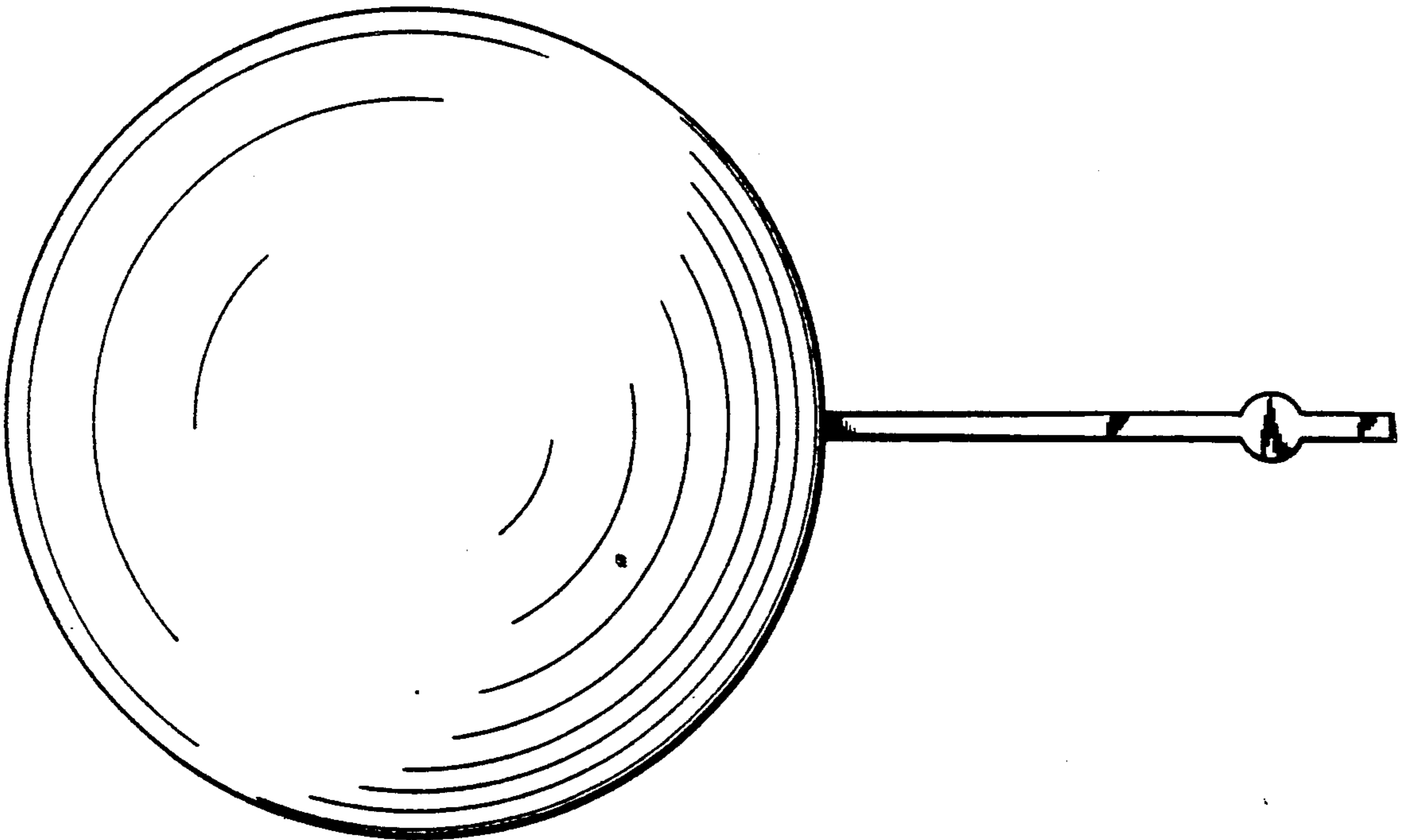
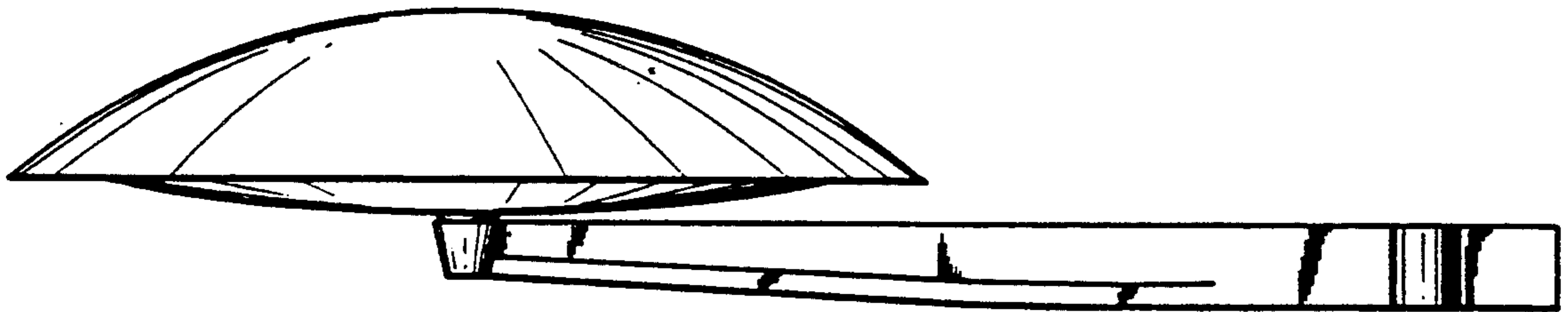
*Primary Examiner*—Susan J. Lucas  
*Attorney, Agent, or Firm*—B. R. Studebaker

## [57] CLAIM

The ornamental design for an adjustable lamp, as shown and described.

## DESCRIPTION

FIG. 1 is left side elevational view of an adjustable lamp showing our new design;  
 FIG. 2 is a top plan view thereof;  
 FIG. 3 is a bottom plan view thereof;  
 FIG. 4 is a front elevational view thereof; and  
 FIG. 5 is a rear elevational view thereof.



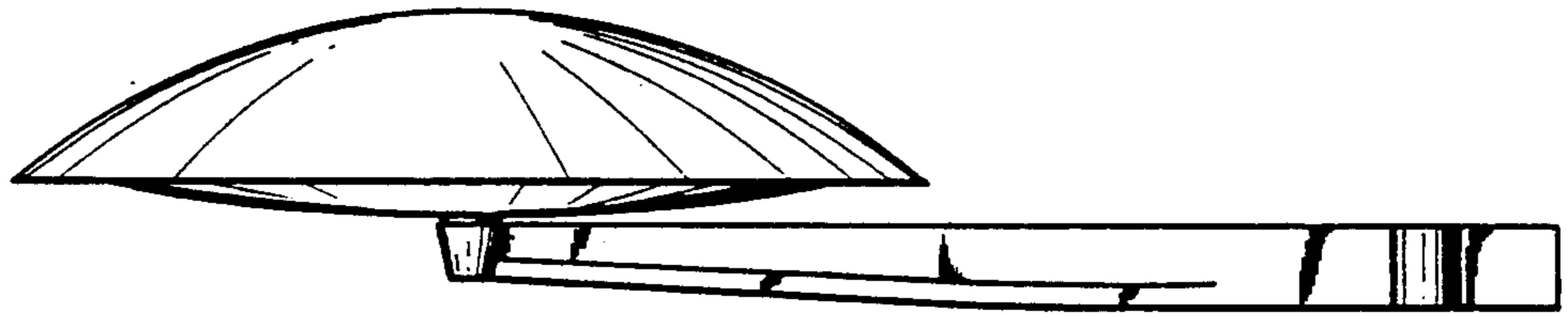


FIG. 1

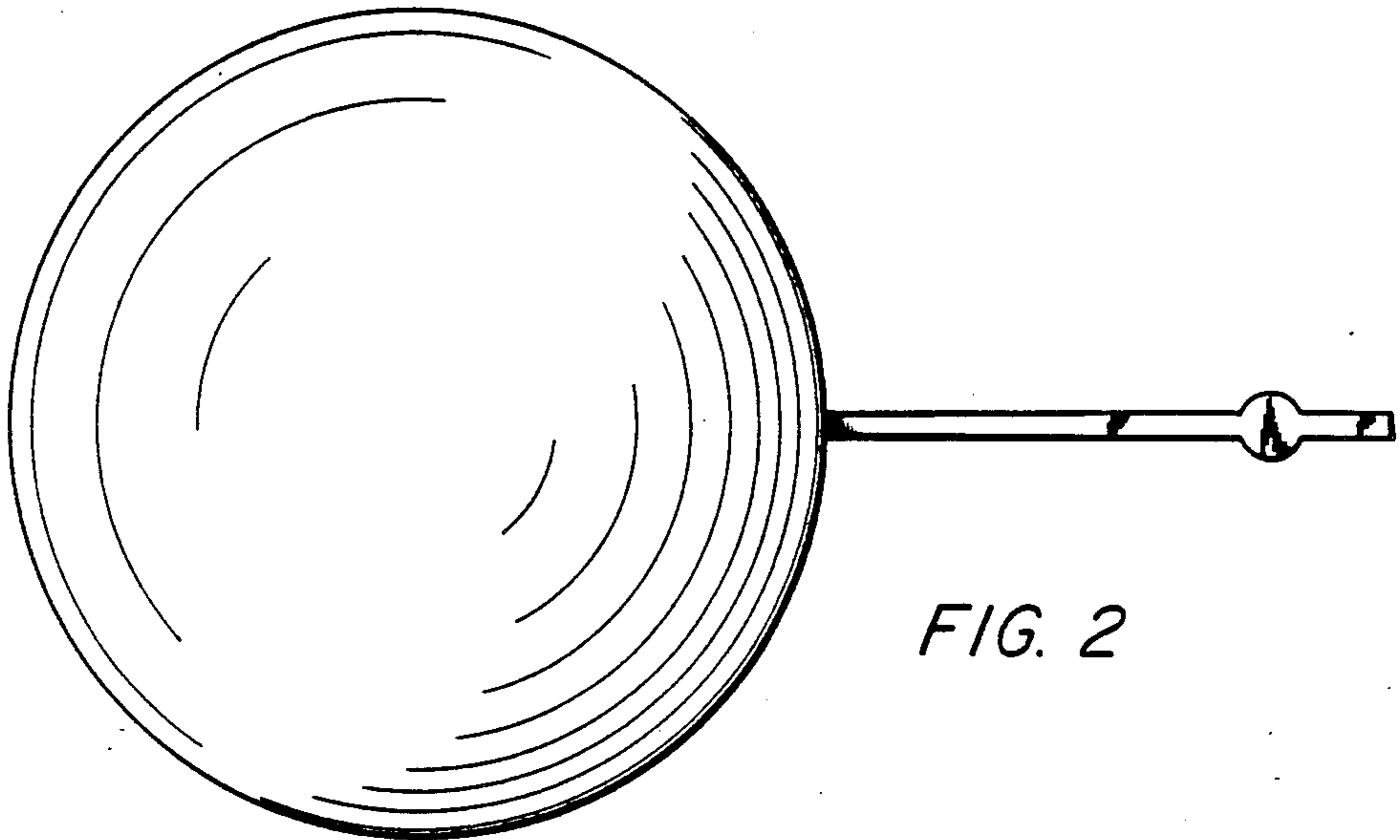


FIG. 2

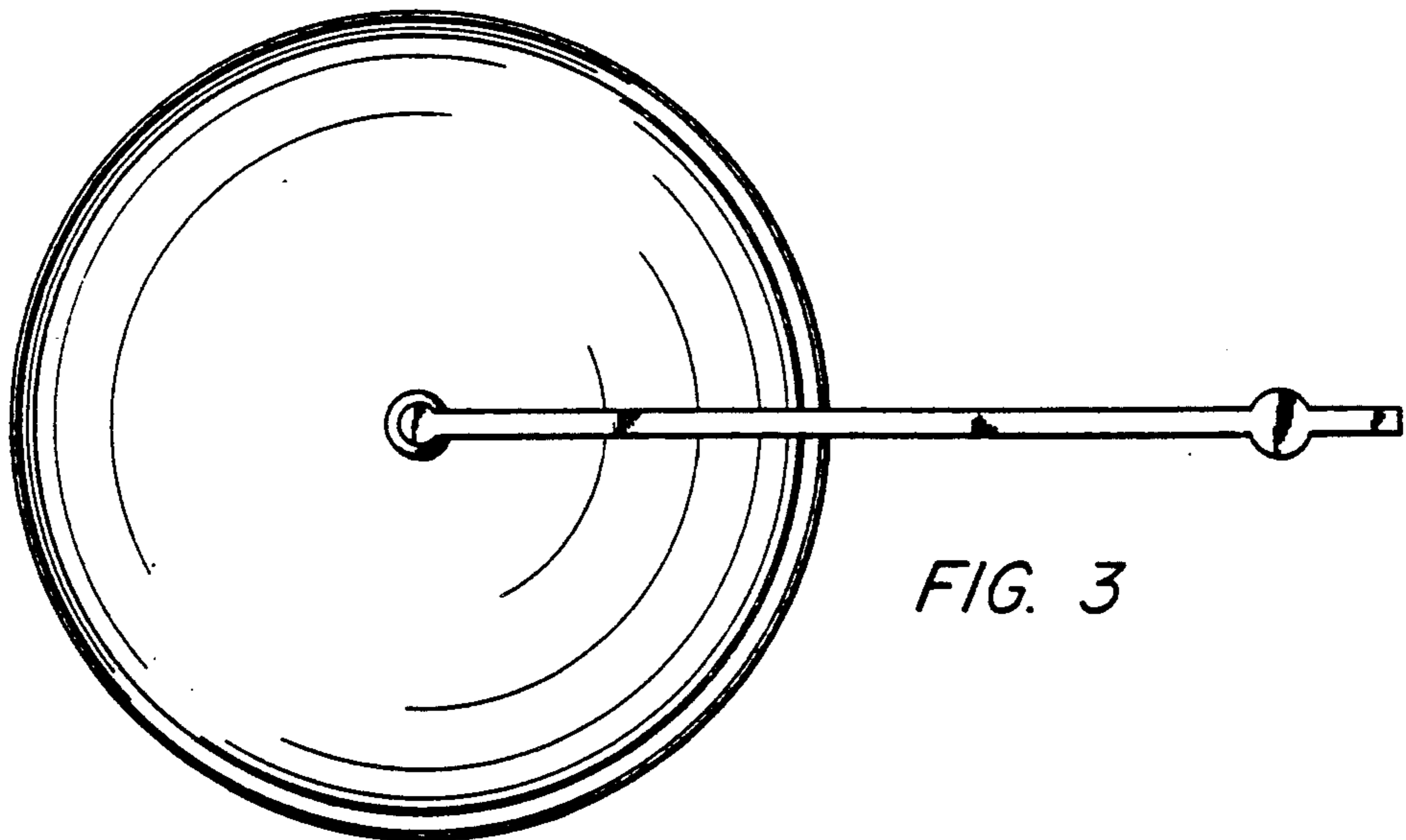


FIG. 3

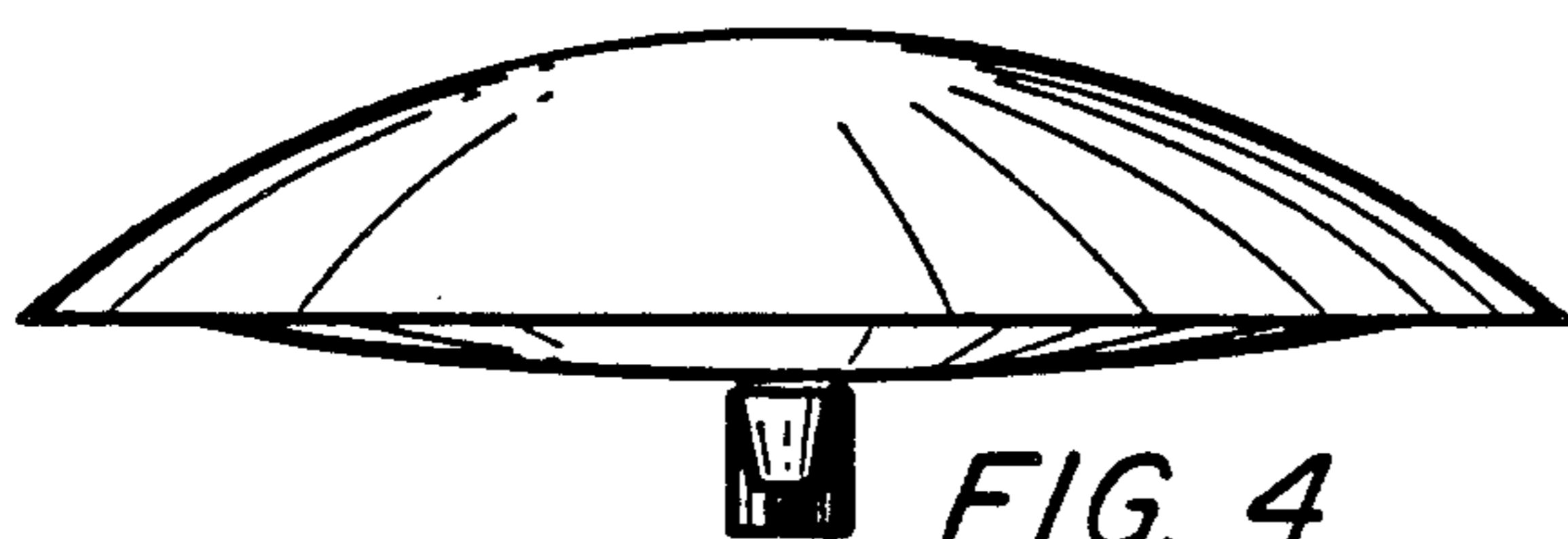


FIG. 4

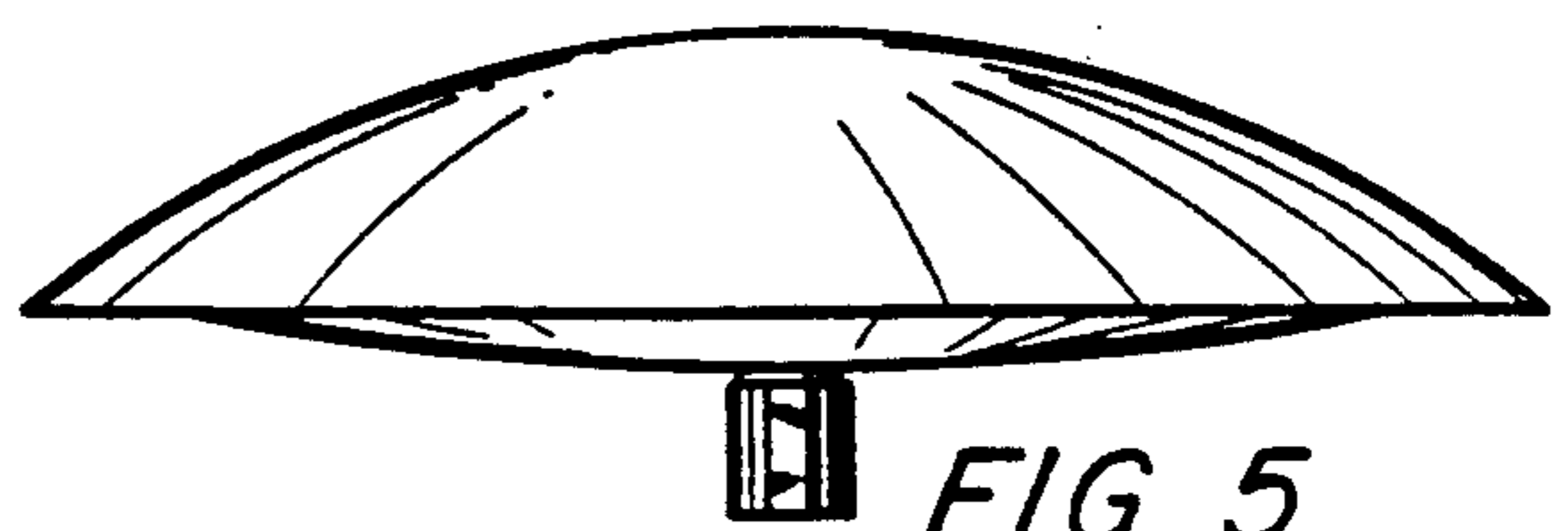


FIG. 5