



US00D324580S

United States Patent [19]

Young

[11] Patent Number: **Des. 324,580**

[45] Date of Patent: **** Mar. 10, 1992**

[54] FLASHLIGHT

[75] Inventor: **Tony C. Young, Kowloon, Hong Kong**

[73] Assignee: **Caltraco International Limited, Kowloon, Hong Kong**

[**] Term: **14 Years**

[21] Appl. No.: **564,542**

[22] Filed: **Aug. 9, 1990**

[30] **Foreign Application Priority Data**

Jun. 29, 1990 [GB]	United Kingdom	2007905
[52] U.S. Cl.		D26/49
[58] Field of Search		D26/37-50; 362/157, 158, 183-208

[56] **References Cited**

U.S. PATENT DOCUMENTS

D. 233,469	10/1974	Moore	D26/49
D. 263,258	3/1982	Zeller	D26/49
D. 280,028	8/1965	Petterson	D26/49
D. 306,910	3/1990	Kung	D26/49
2,837,630	6/1958	Shen	362/158
4,135,230	1/1979	Armbruster	362/202 X

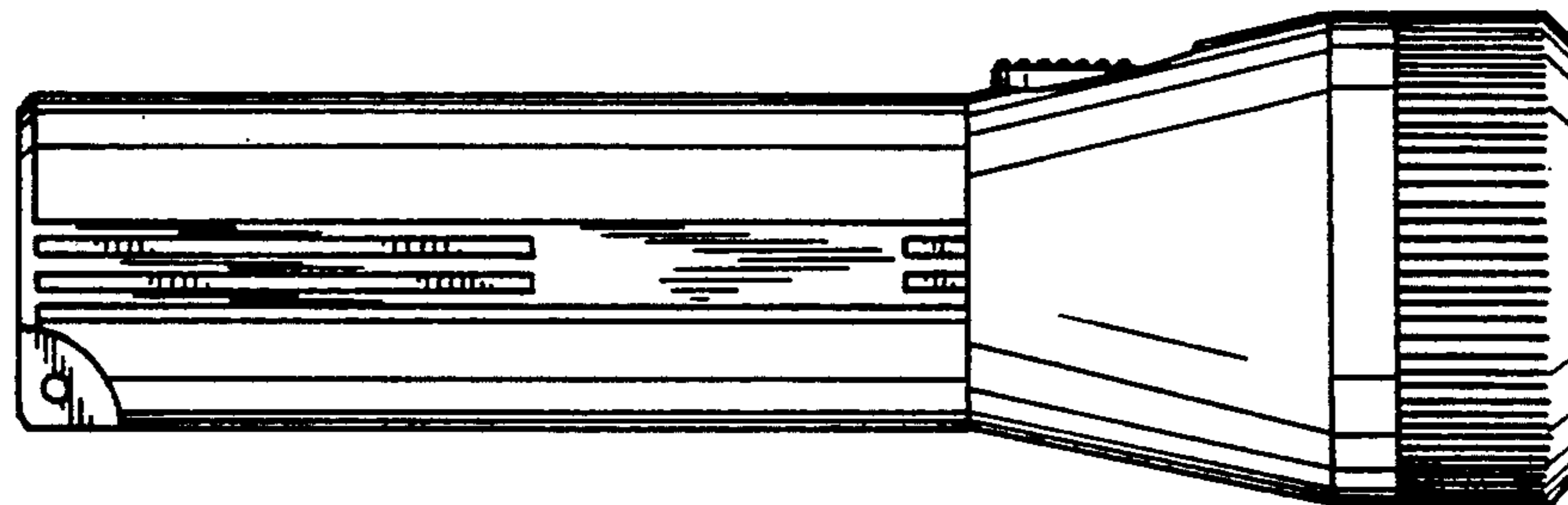
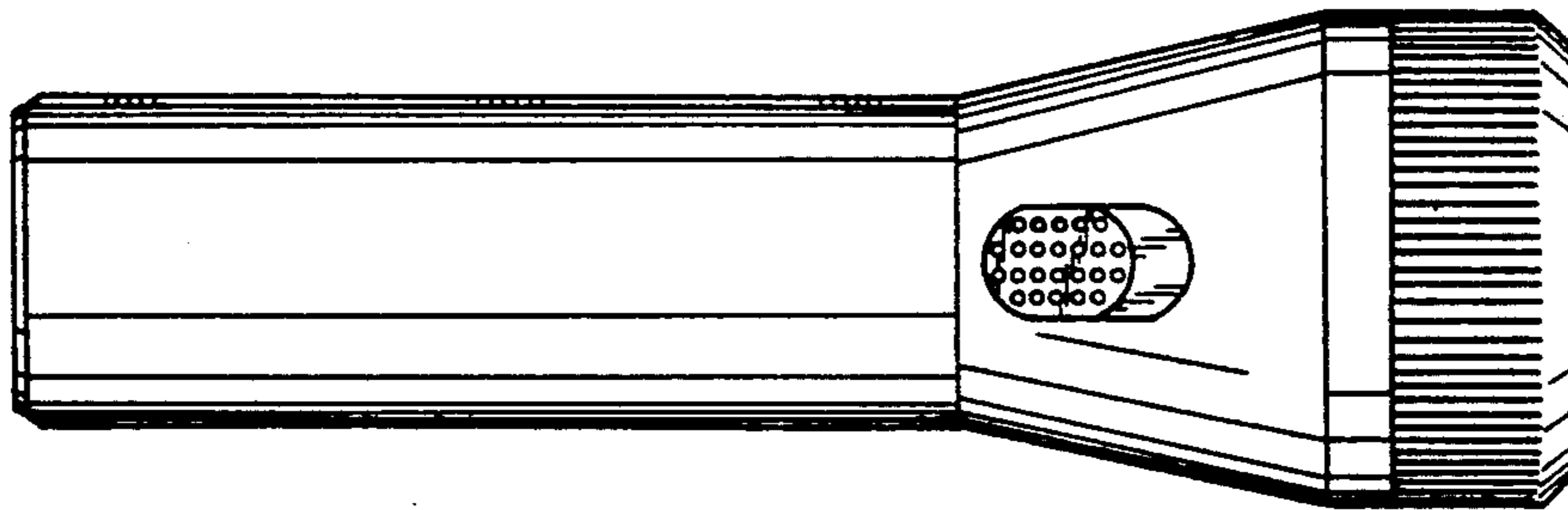
Primary Examiner—Susan J. Lucas
Attorney, Agent, or Firm—Fish & Richardson

[57] **CLAIM**

The ornamental design for flashlight, as shown and described.

DESCRIPTION

FIG. 1 is a front elevational view of a flashlight embodying my new design;
 FIG. 2 is a top plan view thereof;
 FIG. 3 is a bottom plan view thereof;
 FIG. 4 is a left side elevational view thereof;
 FIG. 5 is a right side elevational view thereof; and
 FIG. 6 is a rear elevational view thereof.



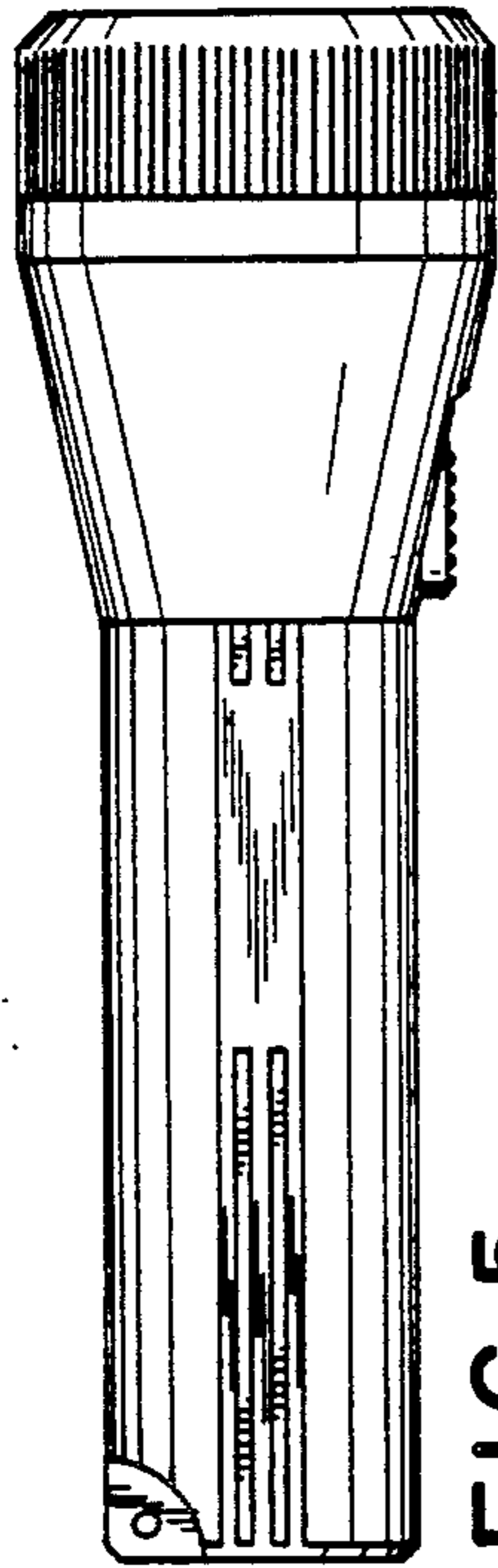


FIG. 5

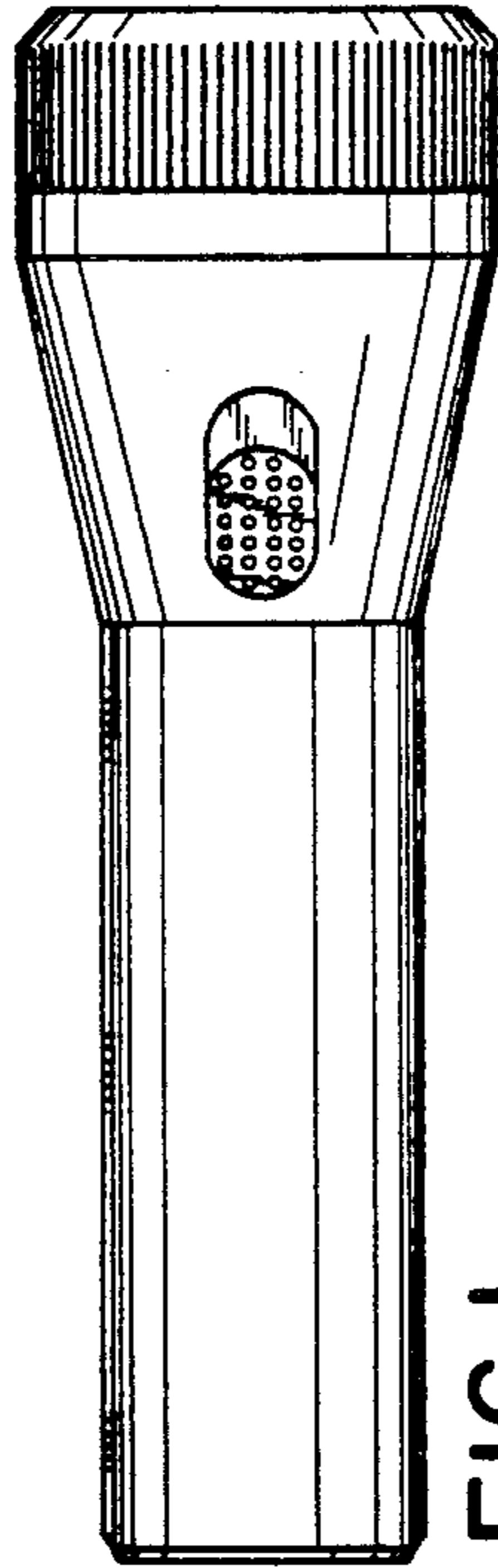


FIG. 1

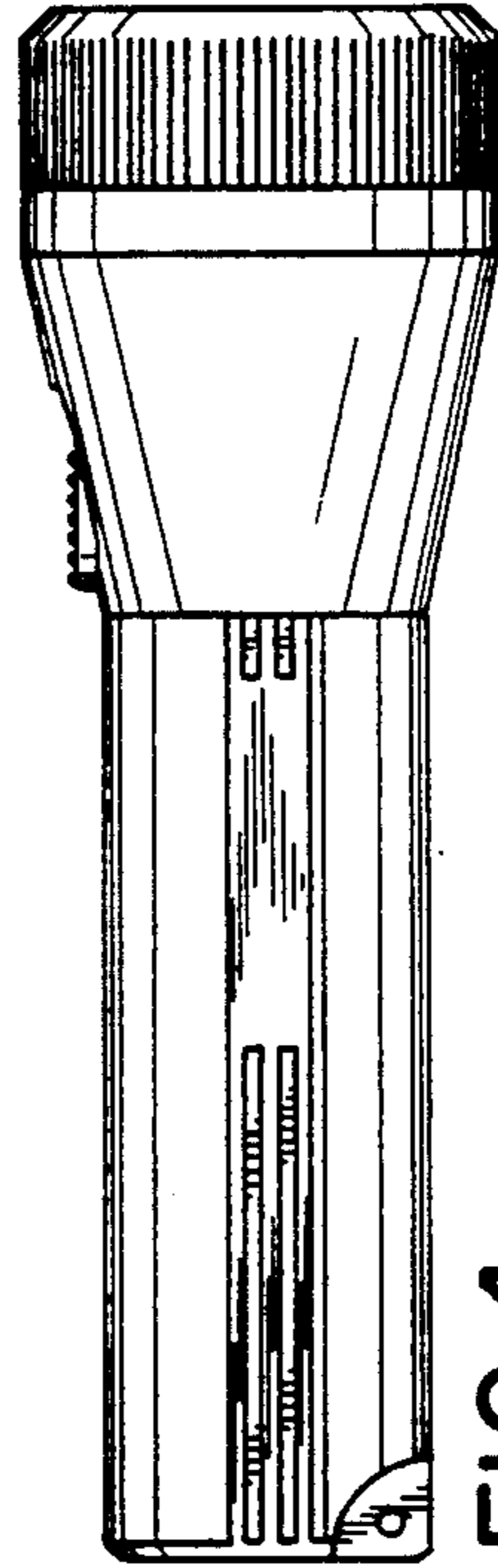


FIG. 4

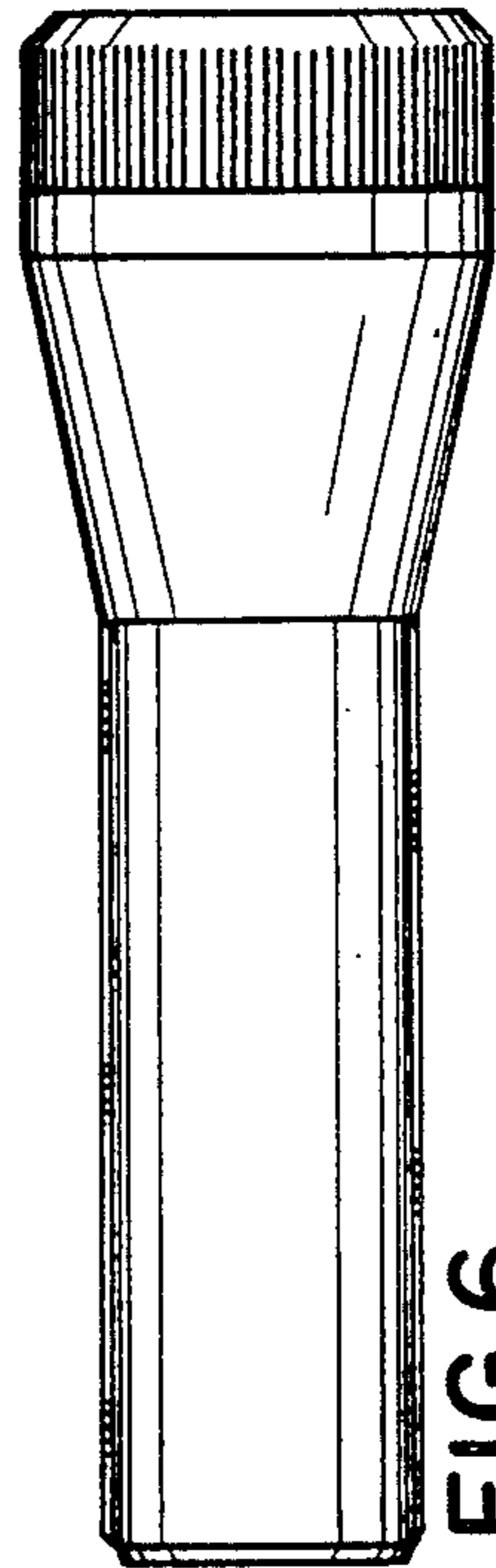


FIG. 6

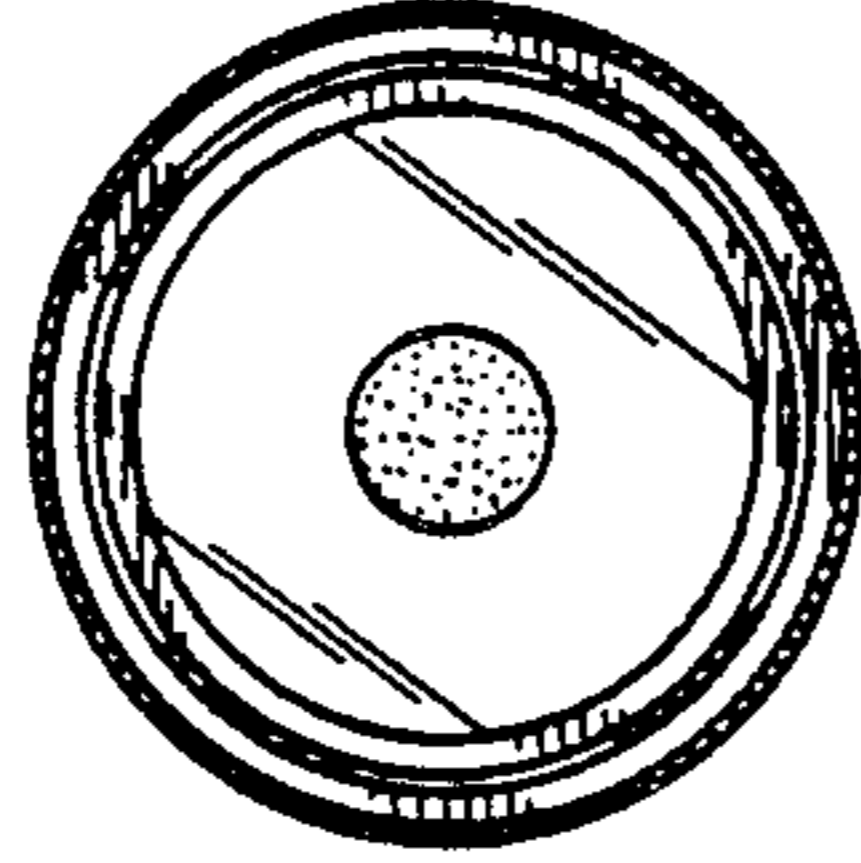


FIG. 2

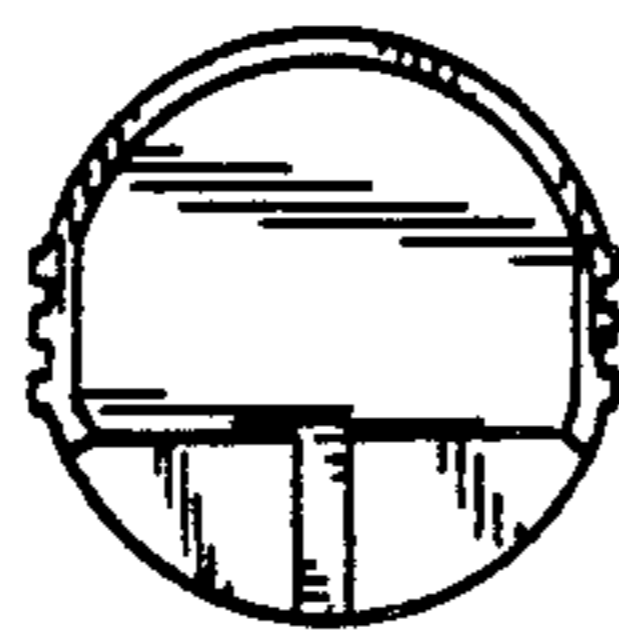


FIG. 3