



US00D324575S

United States Patent [19]

[11] Patent Number: **Des. 324,575**

Davis

[45] Date of Patent: **** Mar. 10, 1992**

[54] **PANEL EDGING STRIP**

[75] Inventor: **Timothy D. Davis, Hadley Wood, United Kingdom**

[73] Assignee: **Graphex Limited, London, England**

[**] Term: **14 Years**

[21] Appl. No.: **436,392**

[22] Filed: **Nov. 14, 1989**

[30] **Foreign Application Priority Data**

Sep. 29, 1989 [GB] United Kingdom 2001372

Sep. 29, 1989 [GB] United Kingdom 2001373

[52] U.S. Cl. **D25/119**

[58] Field of Search **D25/58, 119-125, D25/136; 52/202-203, 716, 717.1, 287, 288, 290**

[56] **References Cited**

U.S. PATENT DOCUMENTS

- D. 273,649 5/1984 Spamer D25/119
- D. 297,264 8/1988 Dickerson D25/119
- D. 306,771 3/1990 Gecchelim D25/119
- 3,514,914 6/1970 Bergquist 52/287
- 4,018,260 4/1977 Baslon 52/273
- 4,622,791 11/1986 Cook et al. 52/287

FOREIGN PATENT DOCUMENTS

189065 7/1986 European Pat. Off. .

- 2533728 3/1984 France .
- 674783 7/1952 United Kingdom .
- 1287676 9/1972 United Kingdom .
- 1542244 3/1979 United Kingdom .
- 2005535 4/1979 United Kingdom .
- 2010673 7/1979 United Kingdom .
- 2056547 3/1981 United Kingdom .
- 1591003 6/1981 United Kingdom .
- 2094384 9/1982 United Kingdom .
- 2127686 4/1984 United Kingdom .
- 2144894 3/1985 United Kingdom .
- 2179098 2/1987 United Kingdom .
- 2207271 1/1989 United Kingdom .

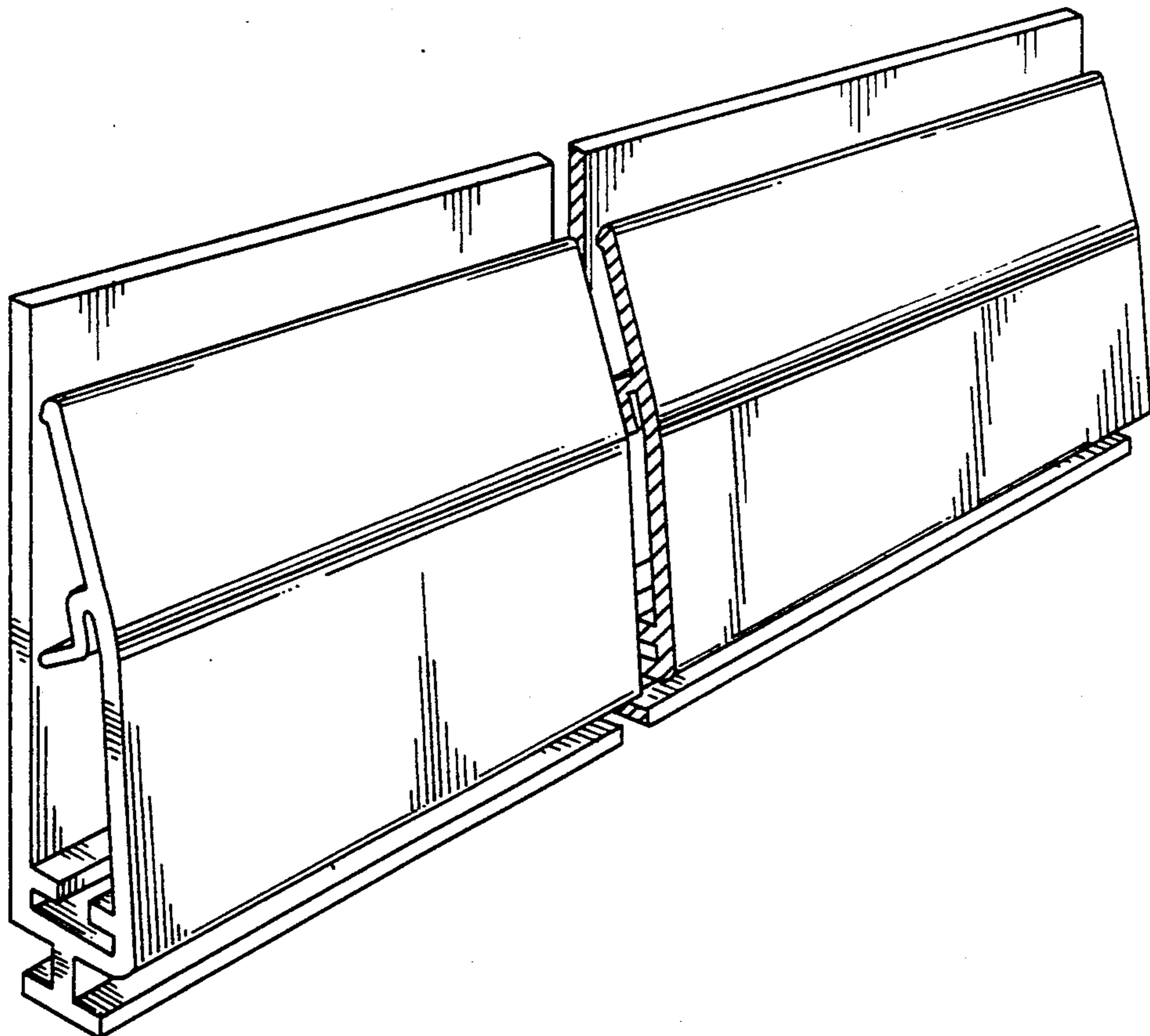
Primary Examiner—A. Hugo Word
Assistant Examiner—Doris Clark
Attorney, Agent, or Firm—Armstrong, Nikaido, Marmelstein, Kubovcik & Murray

[57] **CLAIM**

The ornamental design for a panel edging strip, as shown and described.

DESCRIPTION

FIG. 1 is a perspective view of a panel edging strip showing my new design, the panel edging strip being broken in the center to show indeterminate length; FIG. 2 is an end elevational view thereof; FIG. 3 is a perspective view of a second embodiment of a panel edging strip showing my new design; and FIG. 4 is an end elevational view thereof.



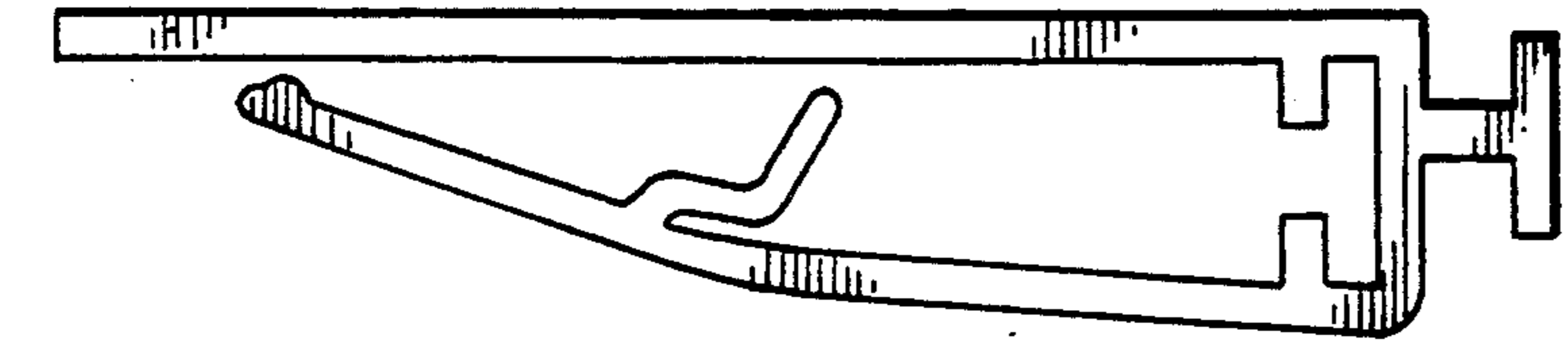


FIG. 2

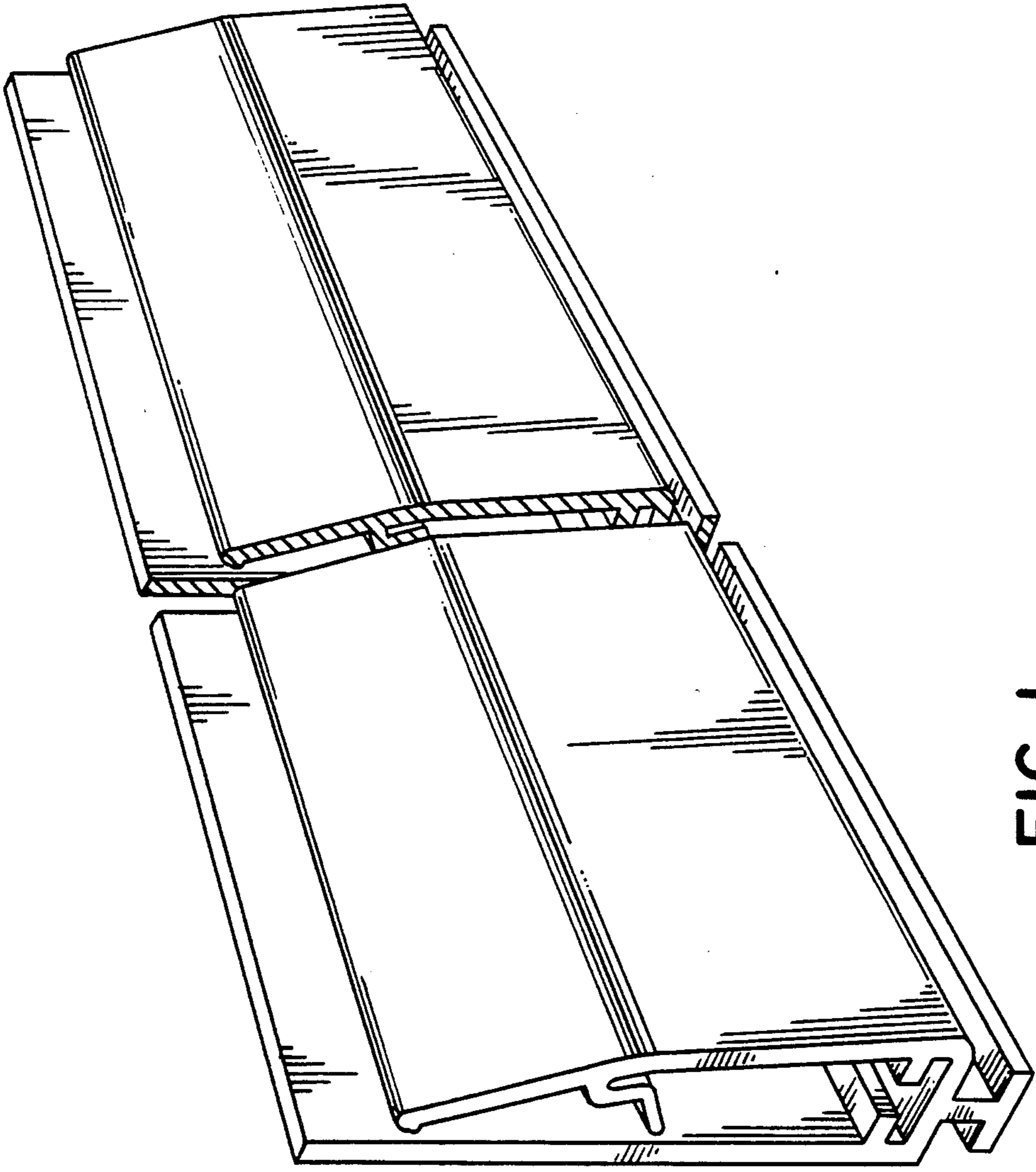


FIG. 1

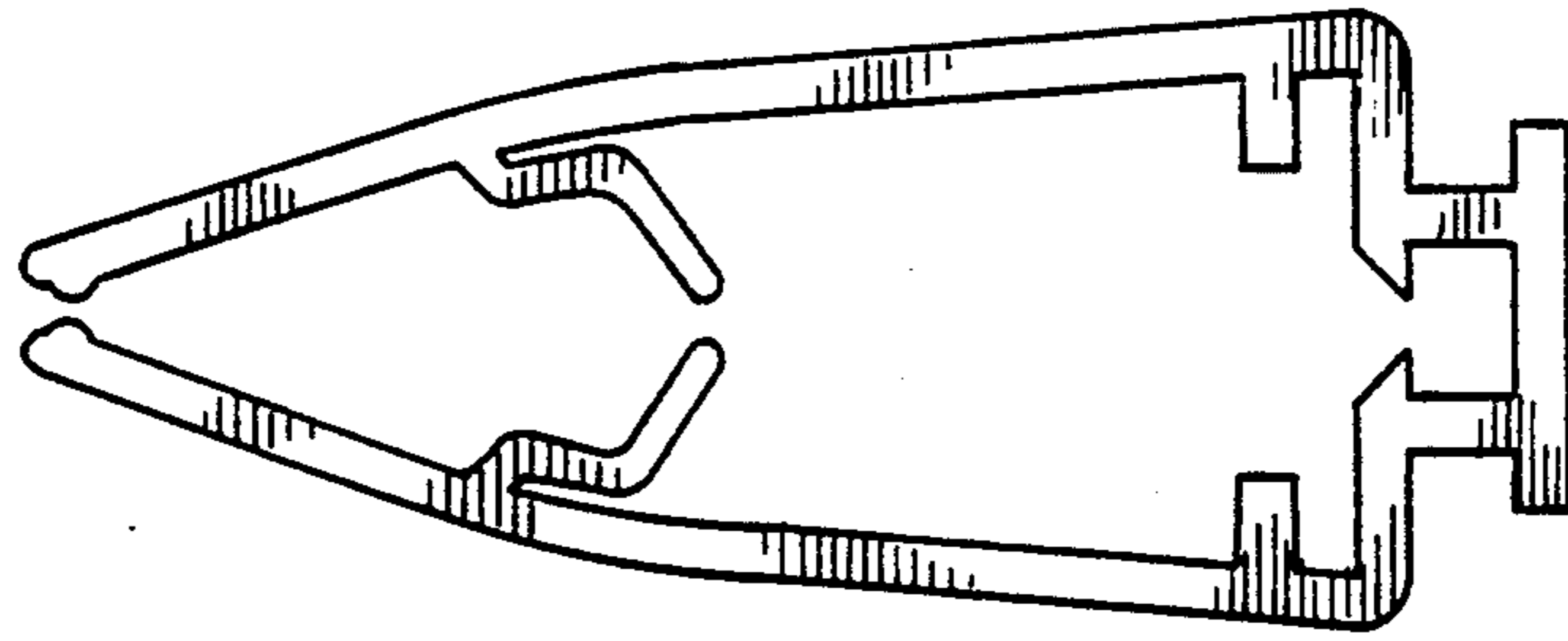


FIG. 4

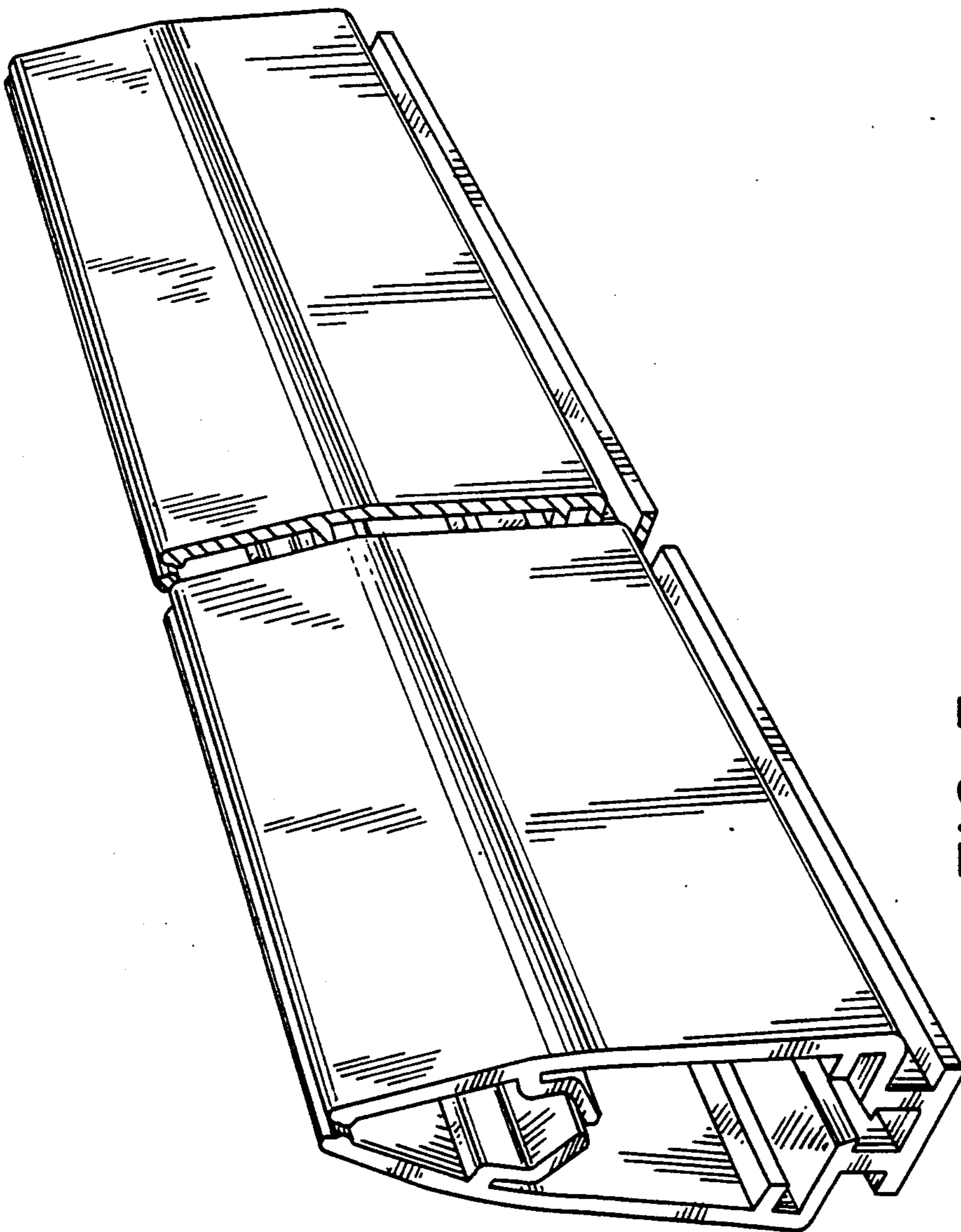


FIG. 3