



US00D324572S

United States Patent [19]

Mikiya et al.

[11] Patent Number: **Des. 324,572**

[45] Date of Patent: **** Mar. 10, 1992**

[54] **JET-NOZZLE FOR IN-BATH MASSAGING**

[75] Inventors: **Toshio Mikiya; Kuniaki Shibuya,**
both of Tokyo, Japan

[73] Assignee: **Nikki Co., Ltd., Tokyo, Japan**

[**] Term: **14 Years**

[21] Appl. No.: **432,302**

[22] Filed: **Nov. 1, 1989**

Related U.S. Application Data

[63] Continuation-in-part of Ser. No. 331,544, Mar. 31, 1989, abandoned.

Foreign Application Priority Data

Oct. 7, 1988 [JP] Japan 63-39411

[52] U.S. Cl. **D24/201**

[58] Field of Search **D24/201, 204; 4/542, 4/541, 544, 559, 492, 496; 128/66; D23/223**

[56] **References Cited**

U.S. PATENT DOCUMENTS

D. 231,697	5/1974	Grube	D24/201 X
D. 231,701	5/1974	Grube	D24/201 X
3,739,983	6/1973	Jousson	128/66 X
4,460,519	7/1984	Leggett	128/66 X
4,502,168	3/1985	Jaworski	128/66 X
4,542,854	9/1985	Mathis	14/542 X

Primary Examiner—Stella Reid
Attorney, Agent, or Firm—Nixon & Vanderhye

[57] CLAIM

The ornamental design for a jet nozzle for in-bath massaging, as shown.

DESCRIPTION

FIG. 1 is a top perspective view of a jet nozzle for in-bath massaging showing our new design; FIG. 2 is a bottom perspective view thereof; FIG. 3 is a front elevational view thereof; FIG. 4 is a right side elevational view thereof; FIG. 5 is a rear elevational view thereof; FIG. 6 is a left side elevational view thereof; FIG. 7 is a top plan view thereof; and FIG. 8 is a bottom plan view thereof.

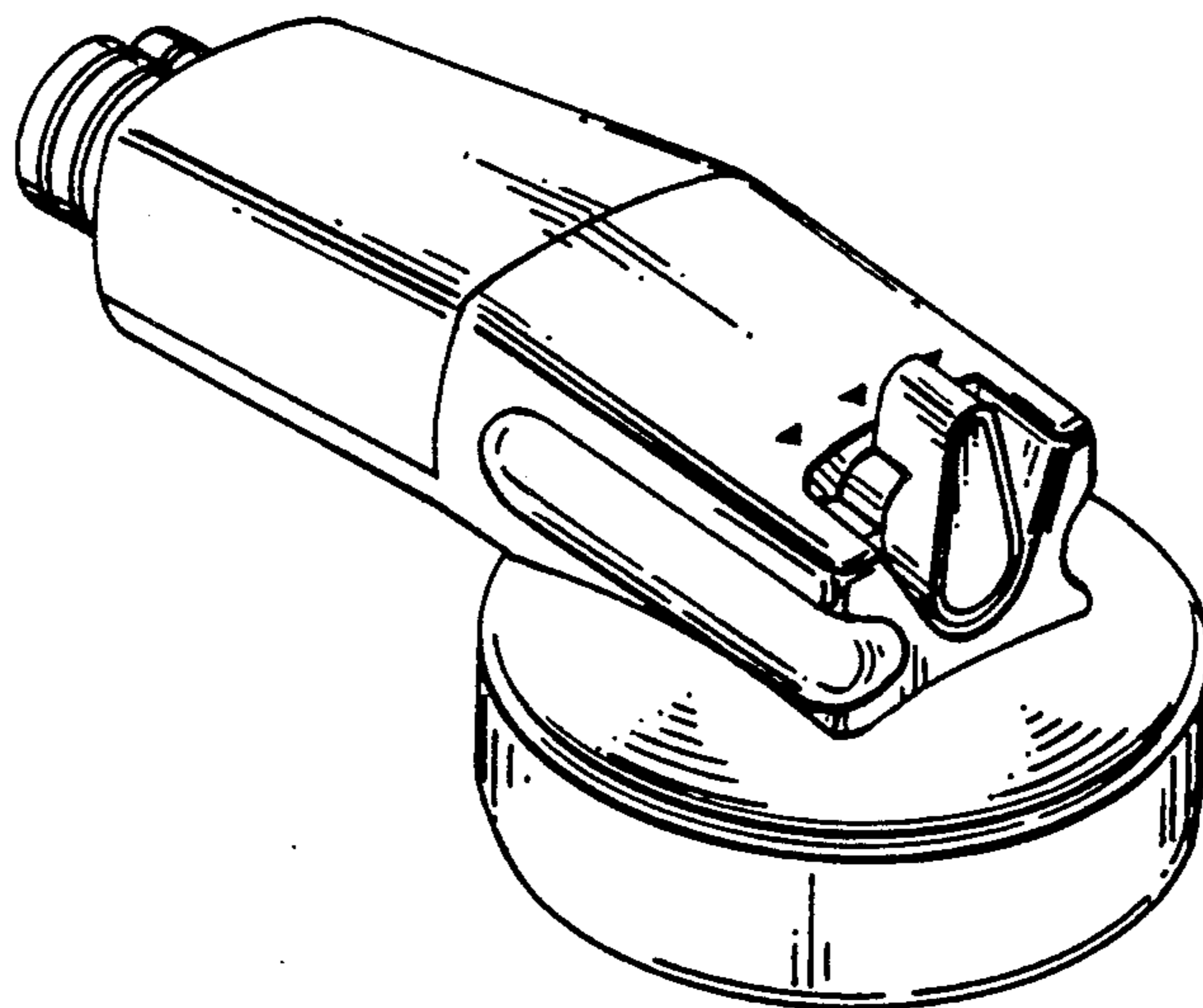


FIG. 1

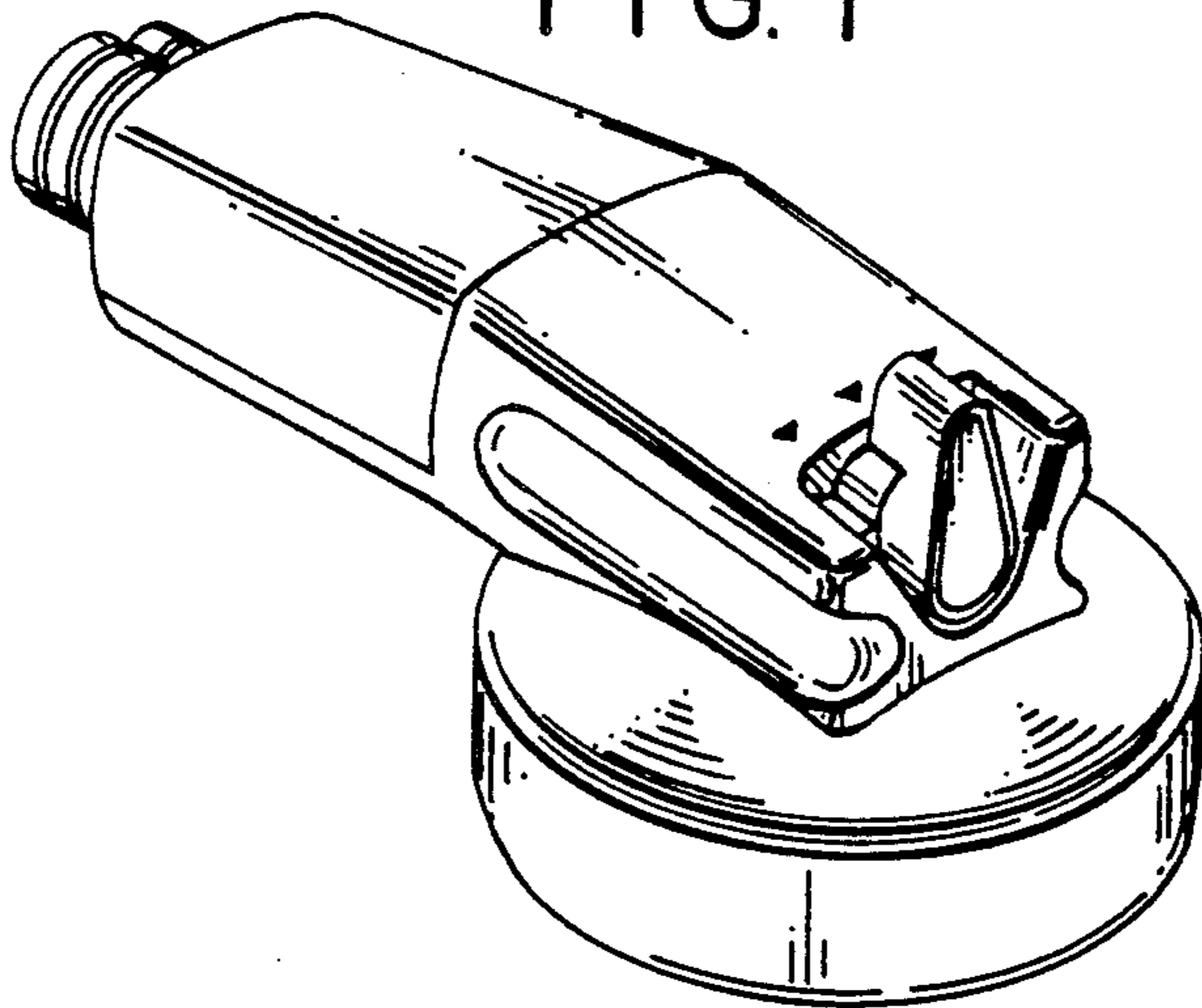


FIG. 2

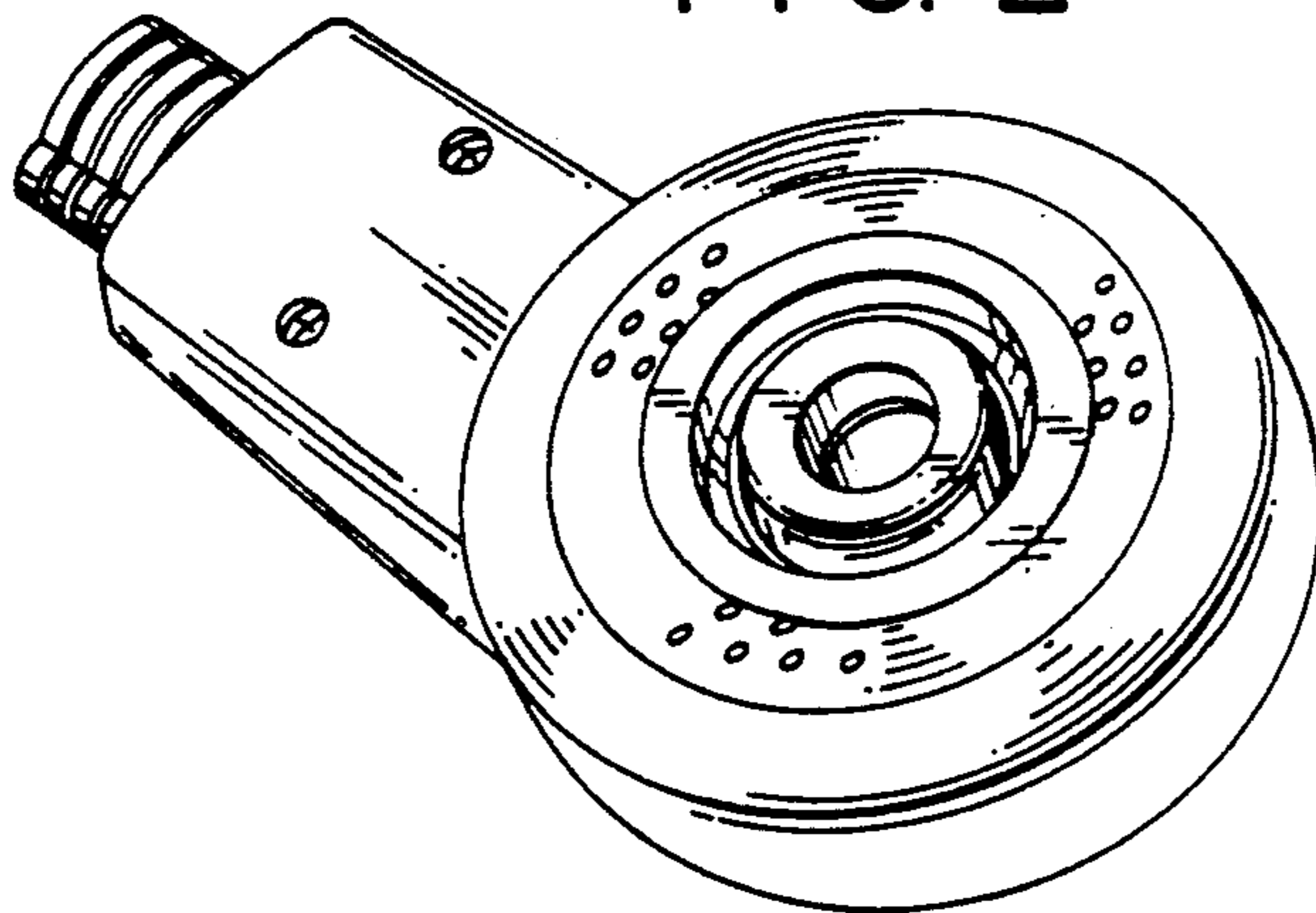


FIG. 3

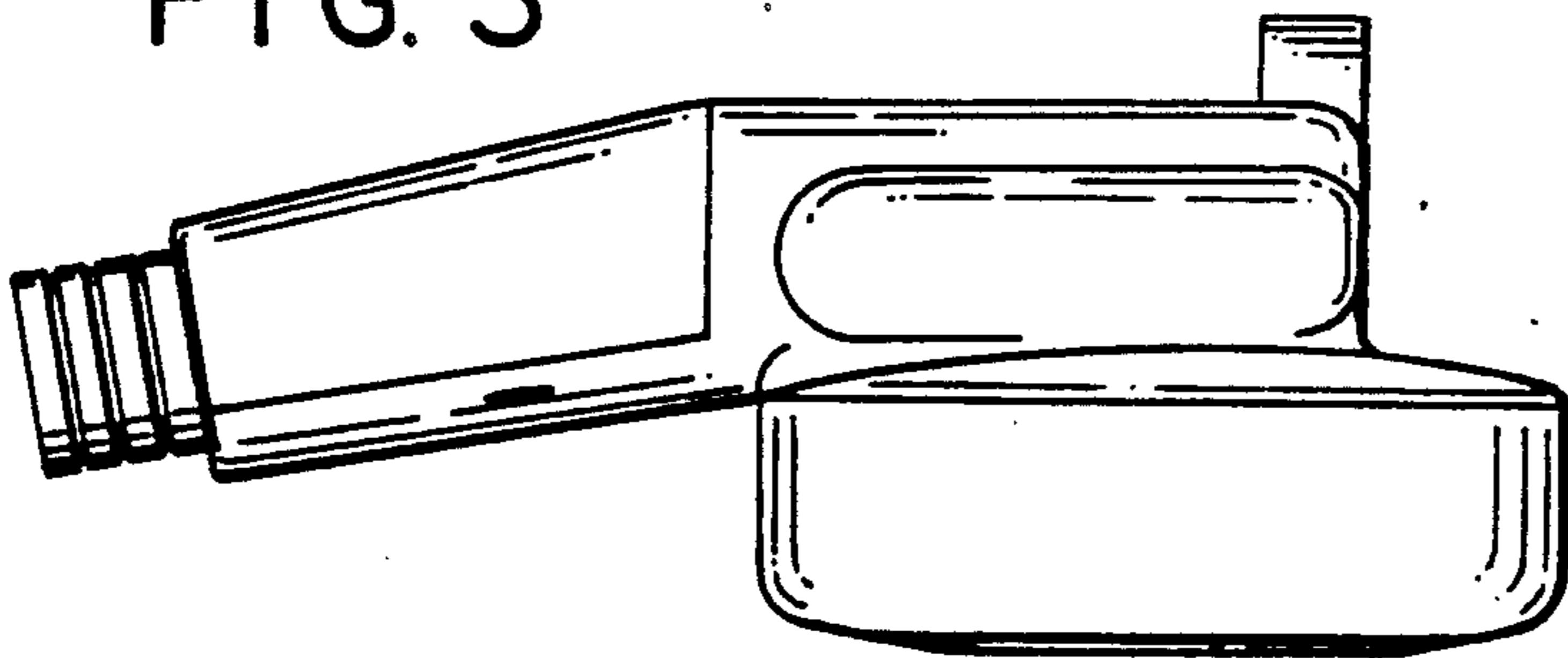


FIG. 4

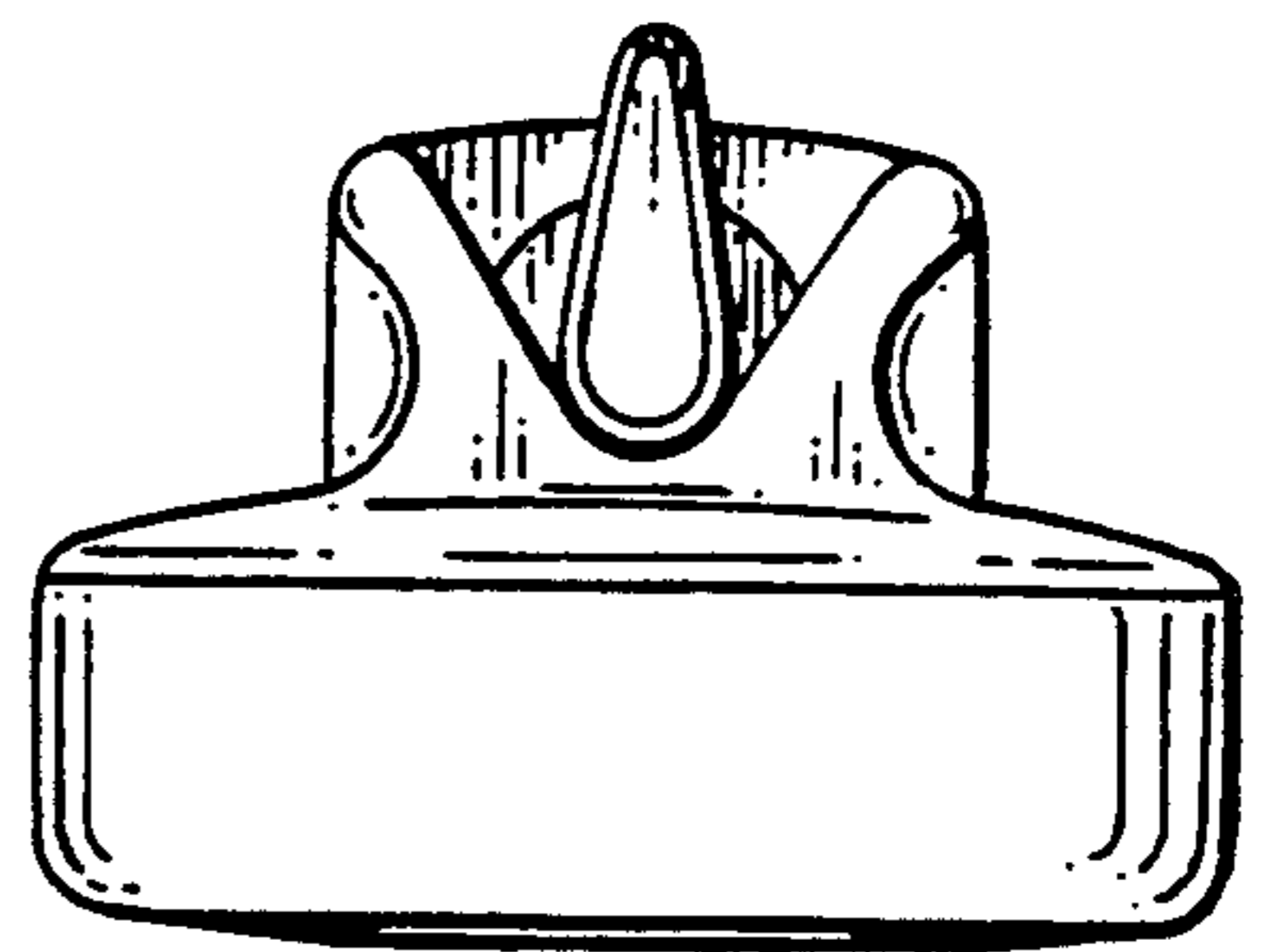


FIG. 5

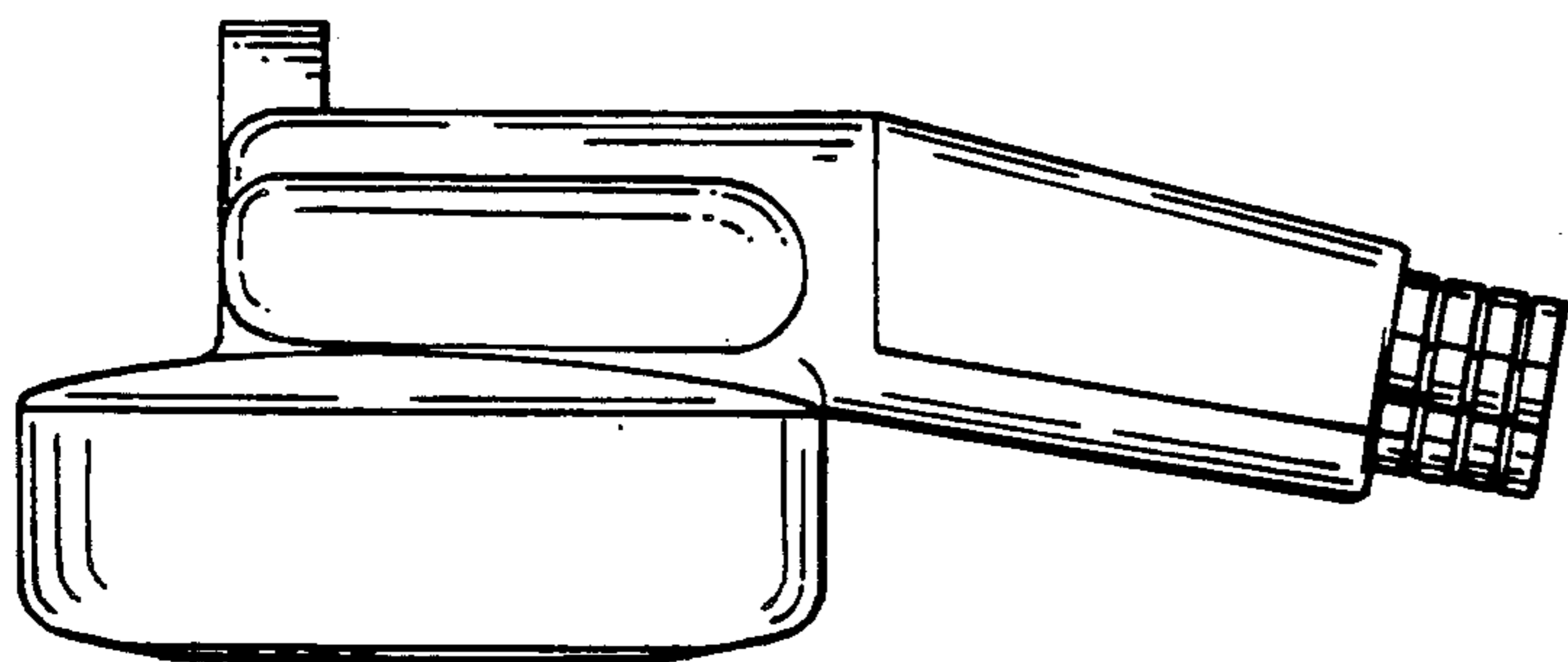


FIG. 6

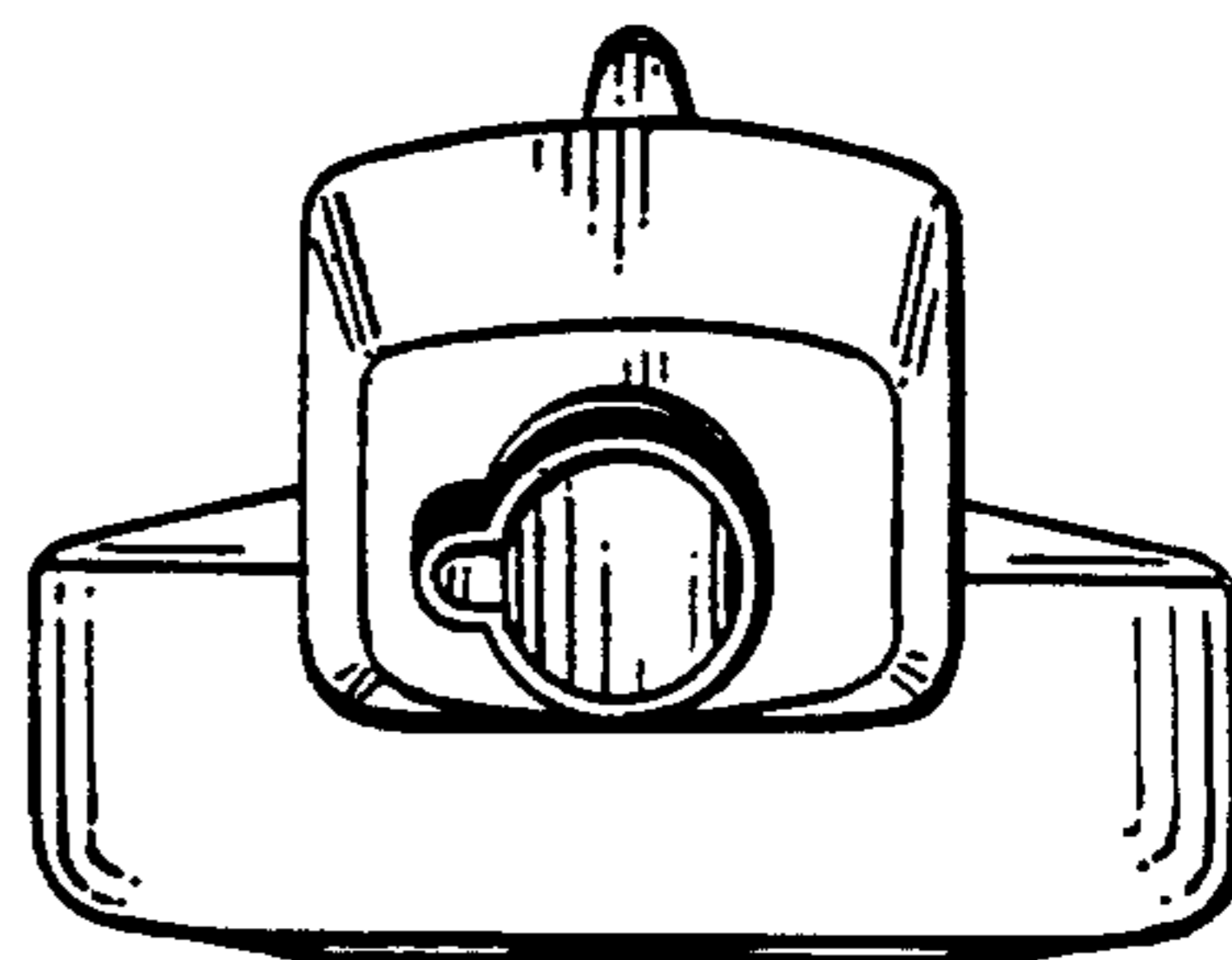


FIG. 7

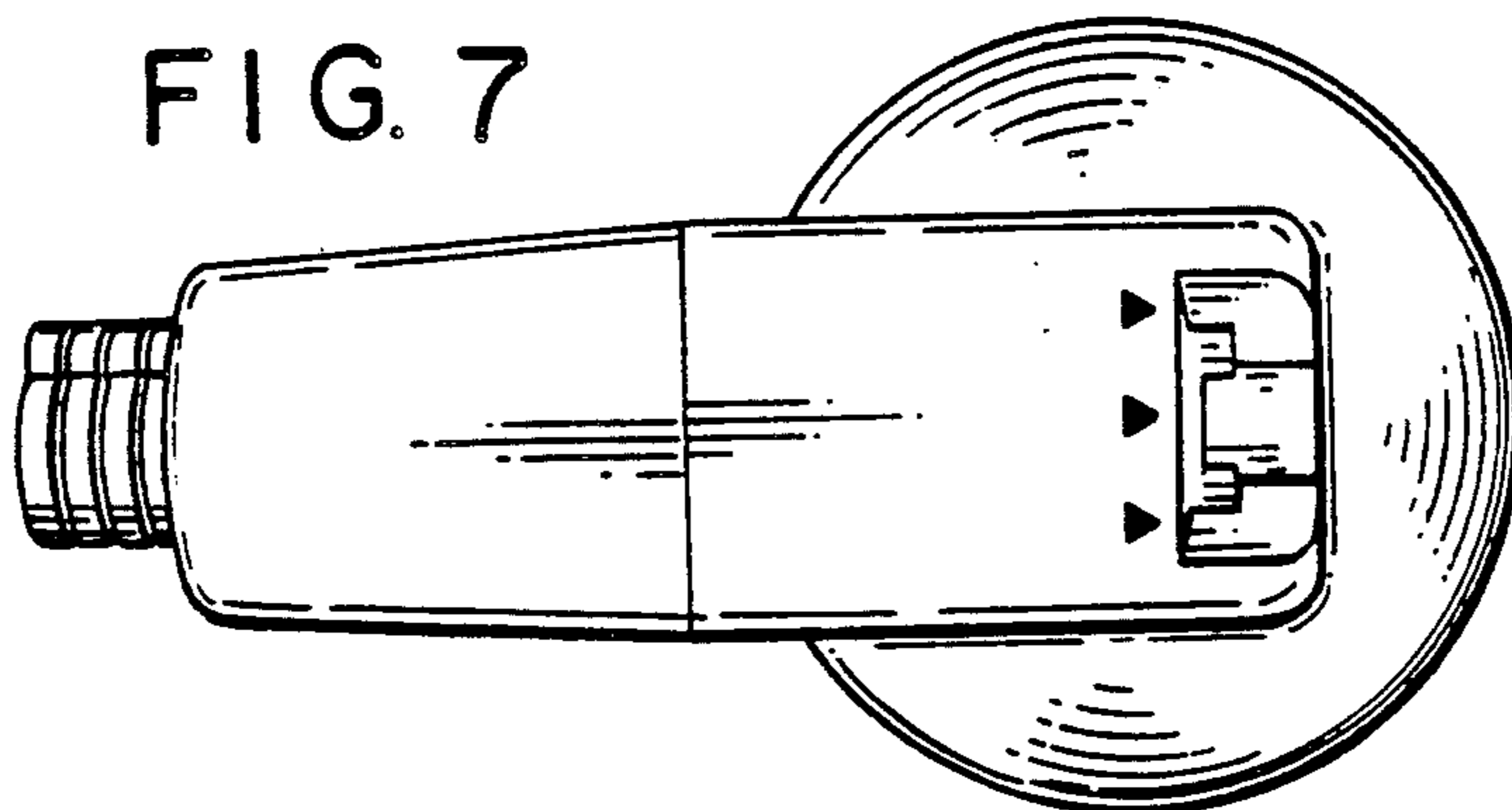


FIG. 8

