



US00D324569S

# United States Patent [19]

[11] Patent Number: **Des. 324,569**

Seifert et al.

[45] Date of Patent: **\*\* Mar. 10, 1992**

[54] **INTRAVENOUS NEEDLE RESHEATHER FOR I.V. POLE**

4,979,945 12/1990 Wade et al. .... 604/263 X

[75] Inventors: **Kevin Seifert**, South Glastonbury, Conn.; **Jay L. Ridley**, Mundelein; **Darlene Spoto**, Woodstock, both of Ill.

*Primary Examiner*—Stella Reid  
*Attorney, Agent, or Firm*—Lee, Mann, Smith, McWilliams & Sweeney

[73] Assignee: **Sage Products, Inc.**, Crystal Lake, Ill.

[57] **CLAIM**

[\*\*] Term: **14 Years**

The ornamental design for an intravenous needle resheather for I.V. pole, as shown and described.

[21] Appl. No.: **428,311**

### DESCRIPTION

[22] Filed: **Oct. 27, 1989**

[52] U.S. Cl. .... **D24/130**

[58] Field of Search ..... D24/130; 604/263, 192, 604/197, 198, 199, 187

FIG. 1 is a perspective view of an intravenous needle resheather for I.V. pole, showing our new design; FIG. 2 is a side elevational view thereof; FIG. 3 is a top plan view thereof; FIG. 4 is a side elevational view thereof, opposite that shown in FIG. 2; FIG. 5 is a left end elevational view thereof; FIG. 6 is a right end elevational view thereof; FIG. 7 is a bottom plan view thereof; FIG. 8 is a cross-sectional view taken along lines 8—8 of FIG. 2; and FIG. 9 is a cross-sectional view taken along lines 9—9 of FIG. 6.

### [56] References Cited

#### U.S. PATENT DOCUMENTS

D. 302,295	7/1989	Hanifl	.....	D24/130
4,846,803	7/1989	Emerson	.....	D24/130 X
4,966,582	10/1990	Sit et al.	.....	604/263 X

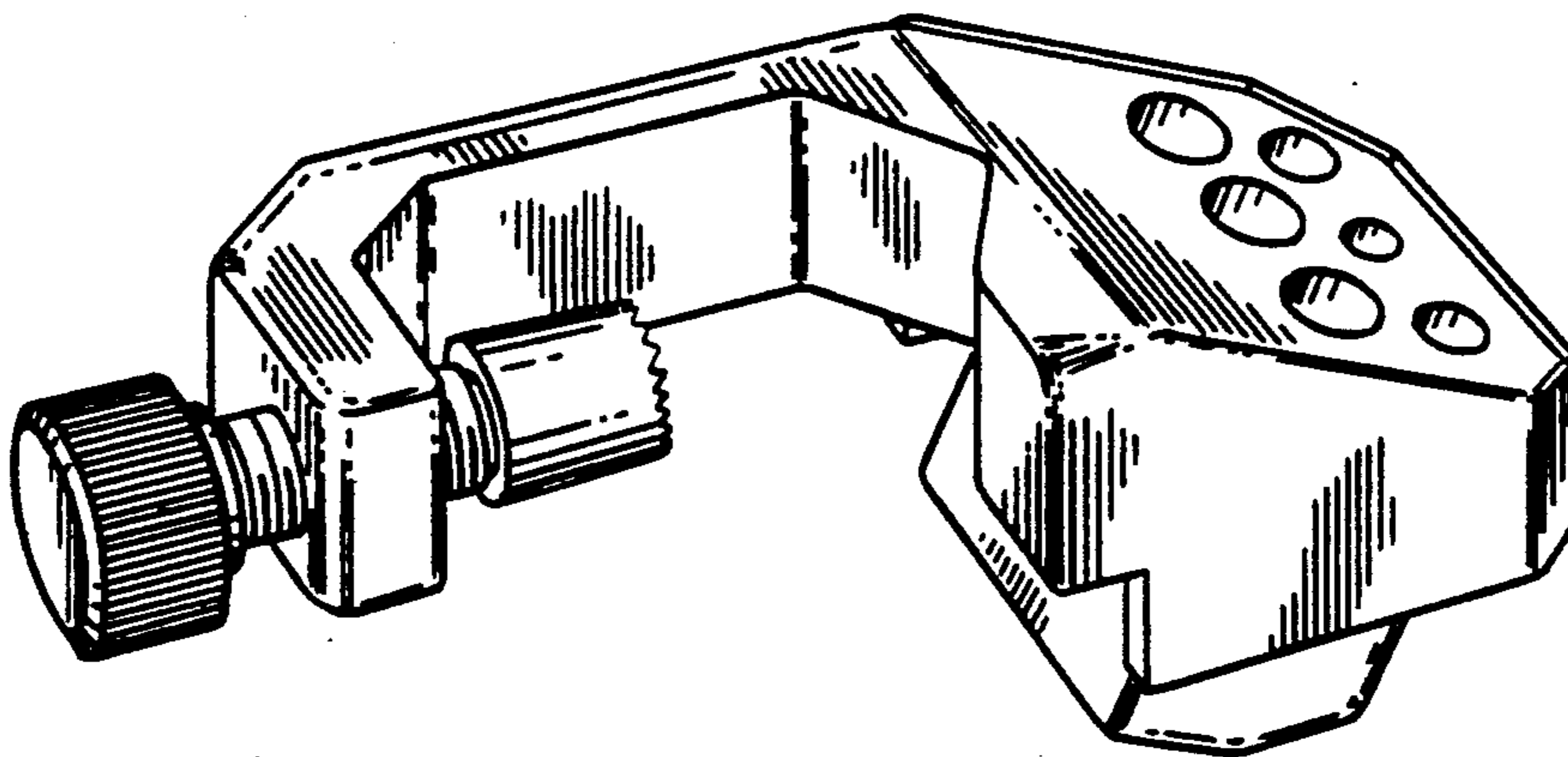


FIG. 1.

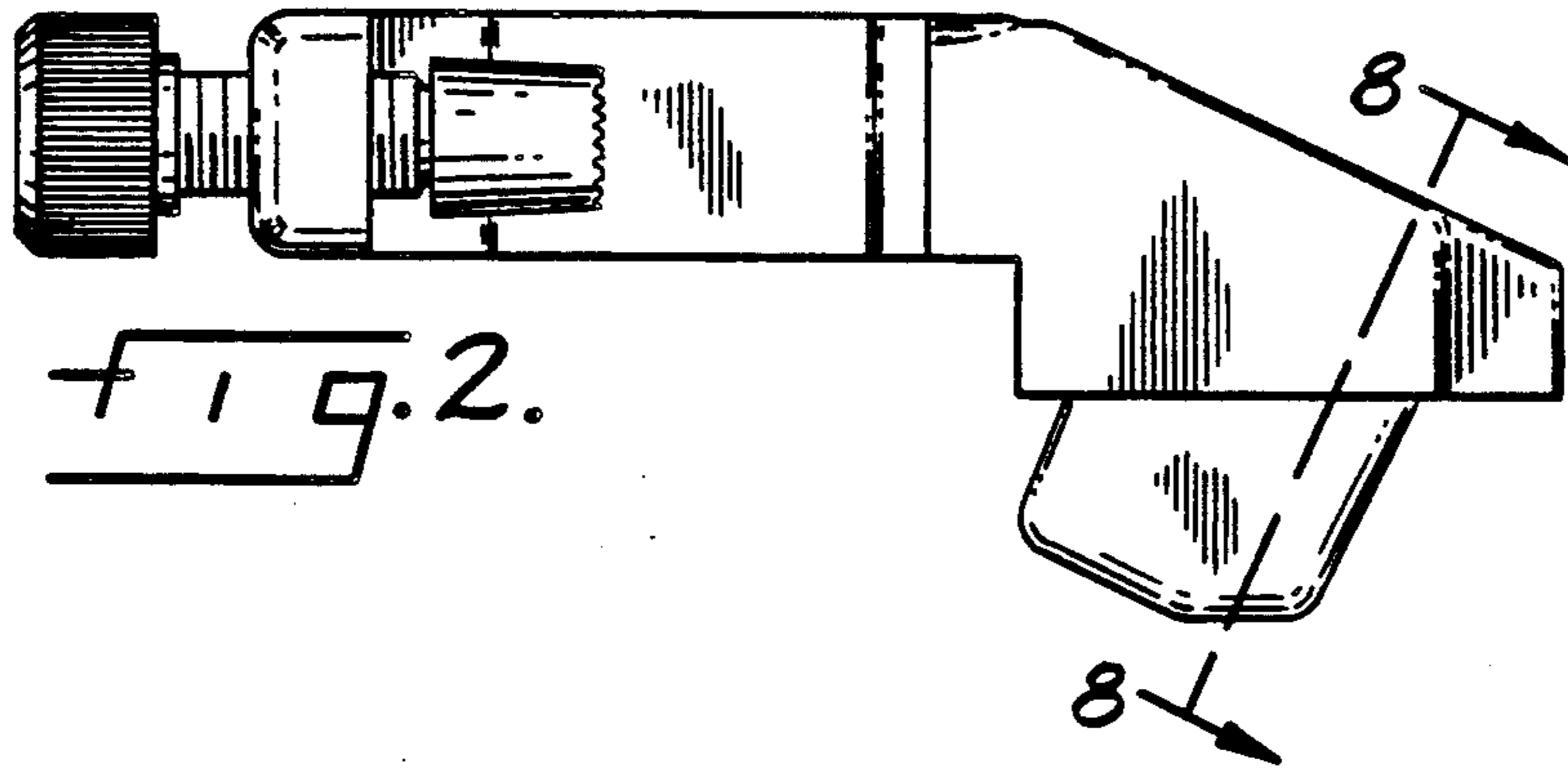
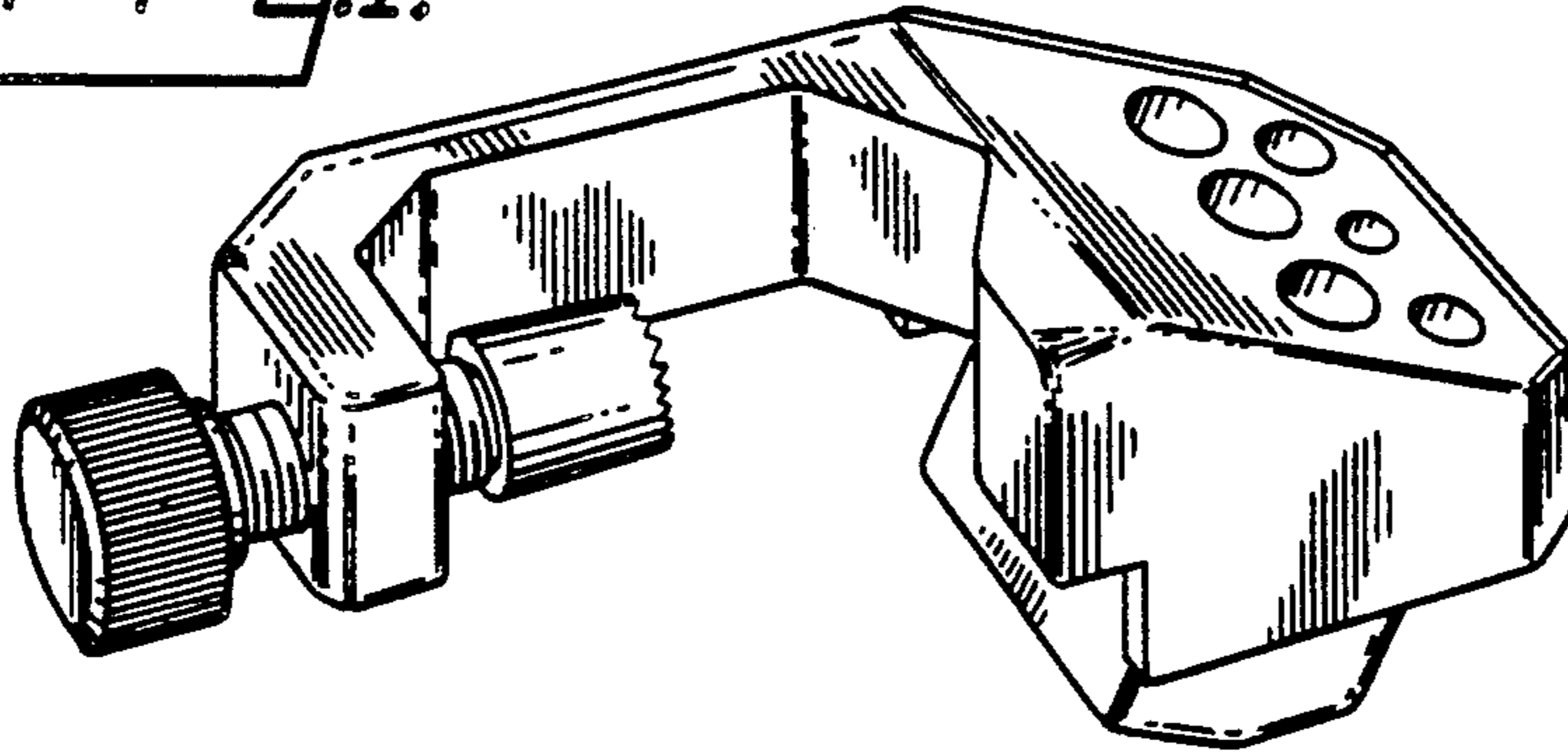


FIG. 2.

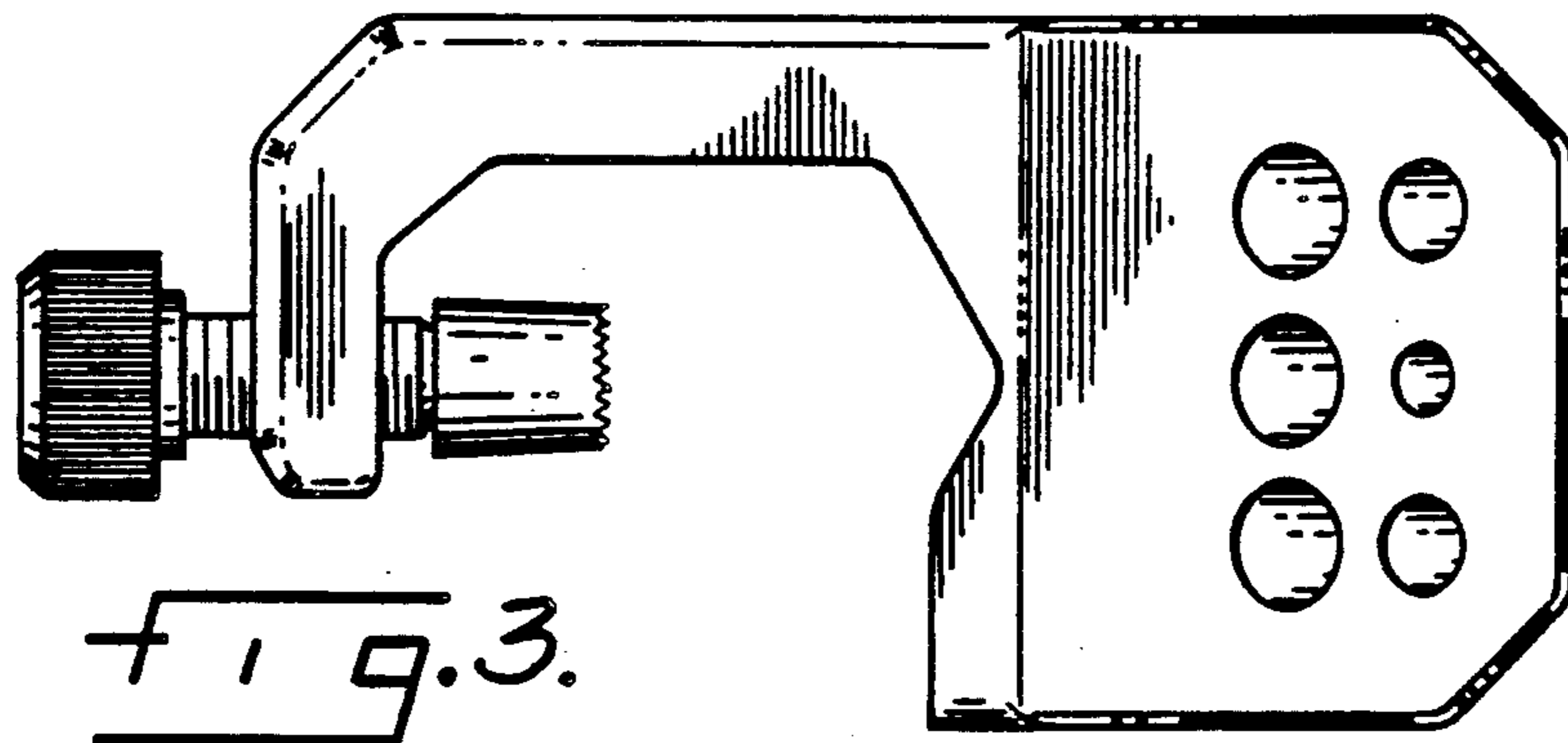


FIG. 3.

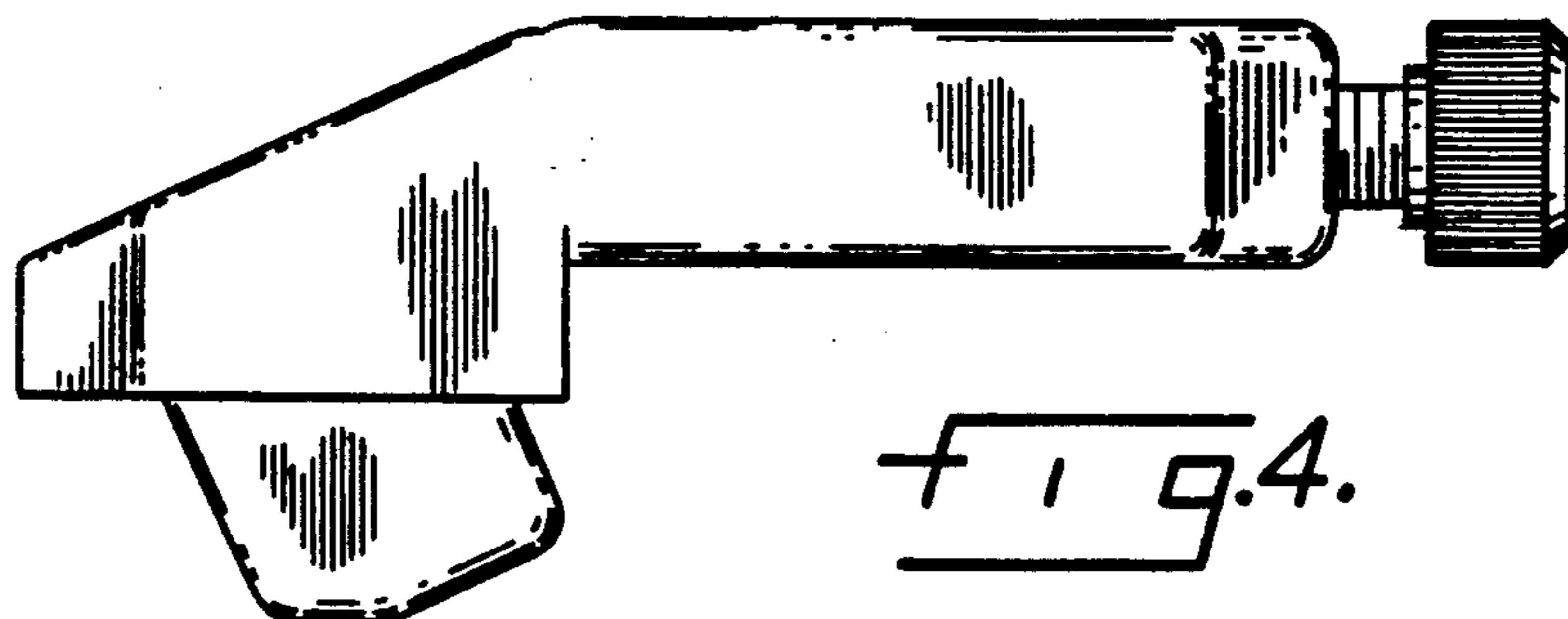


FIG. 4.

FIG. 5.

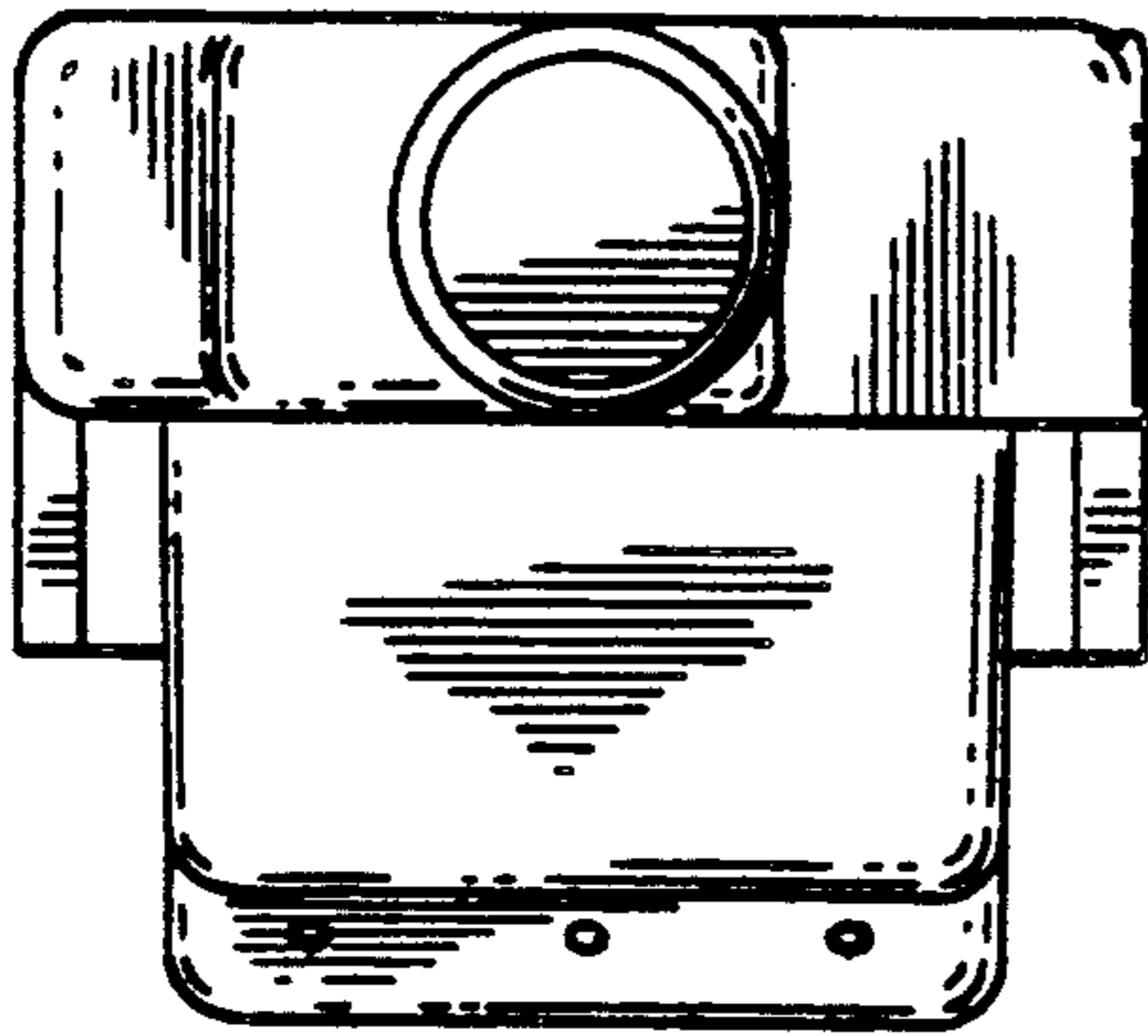


FIG. 6.

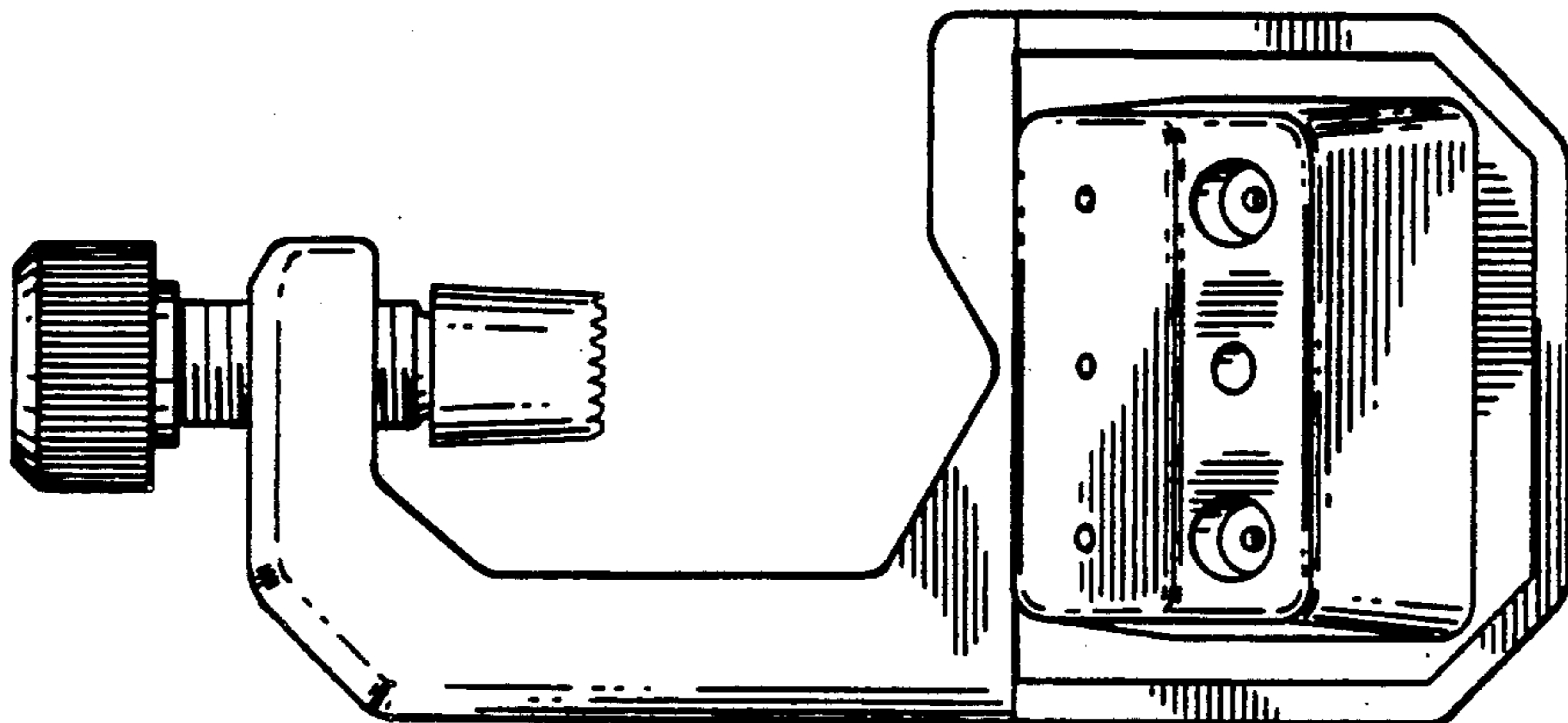
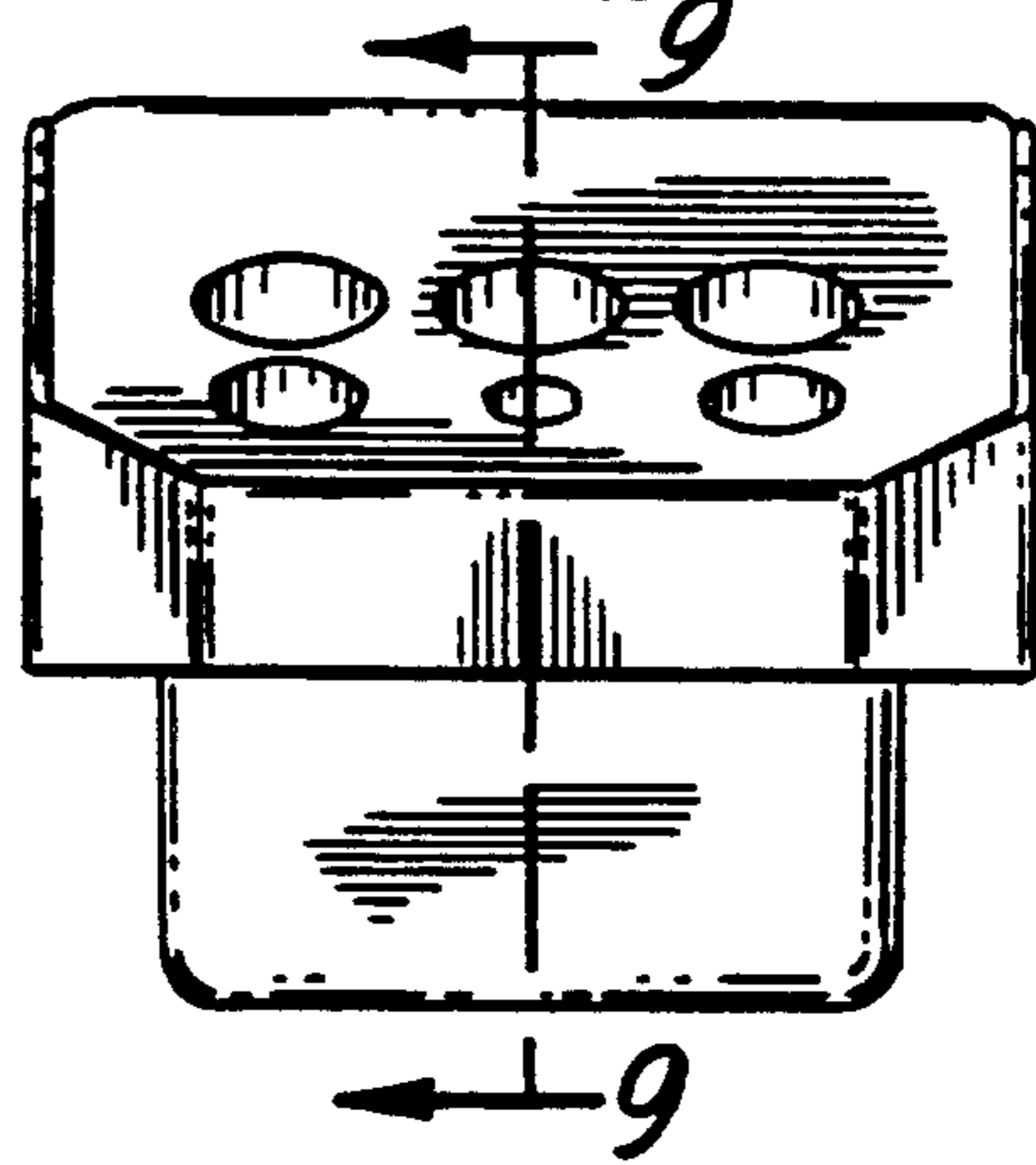


FIG. 7.

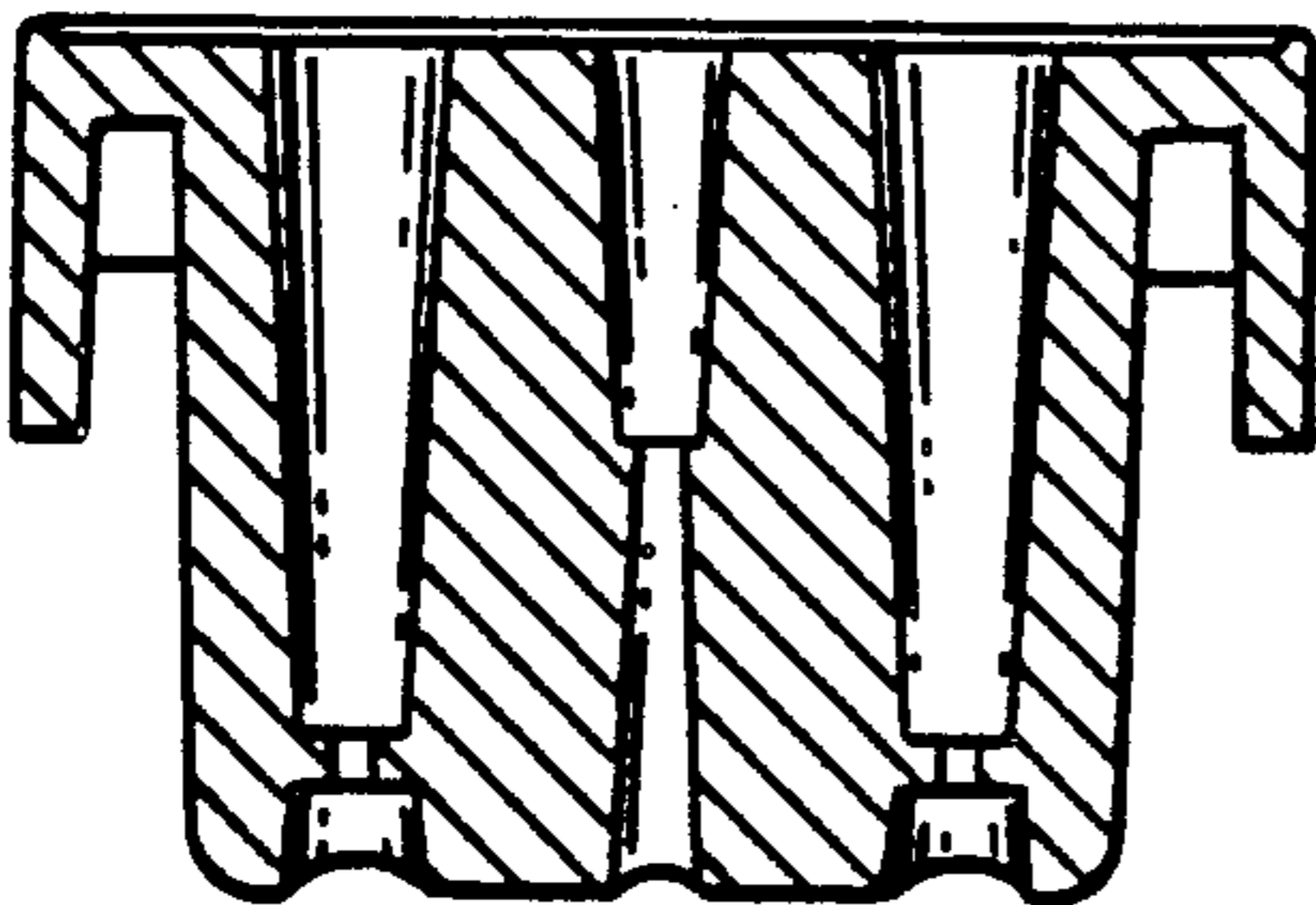


FIG. 8.

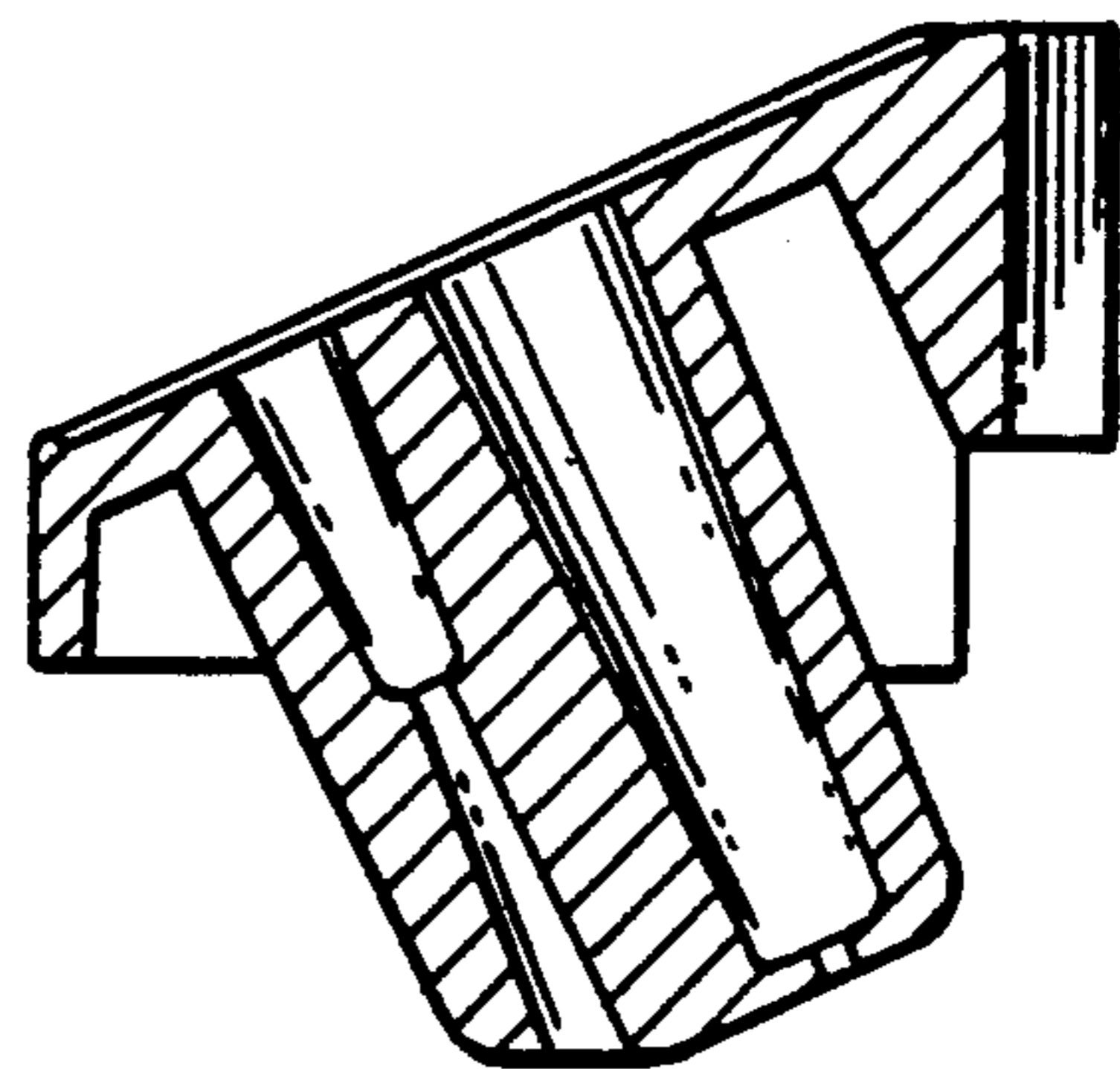


FIG. 9.