



US00D324568S

# United States Patent [19] Marken

[11] Patent Number: Des. 324,568

[45] Date of Patent: \*\* Mar. 10, 1992

[54] MEDICAL TUBE CONNECTOR JOINT

[76] Inventor: Robert E. Marken, 21495 Bear Creek Rd., Bend, Oreg. 97701

[\*\*] Term: 14 Years

[21] Appl. No.: 270,282

[22] Filed: Nov. 14, 1988

[52] U.S. Cl. .... D24/129

[58] Field of Search ..... D24/51, 53, 129, 127, D24/110, 164, 169; 285/261, 262, 165, 166; D23/200, 260; 128/207.14, 207.15, 207.12, 207.16; 604/283, 280, 264

[56] References Cited

### U.S. PATENT DOCUMENTS

D. 207,635	5/1967	Wickett .....	D24/53
225,205	3/1880	Ball .....	285/166 X
1,528,967	3/1925	Bersted .....	285/166 X
3,175,557	3/1965	Hammond .....	128/207.14
4,023,559	5/1977	Gaskell .....	604/280 X
4,146,034	3/1979	Gupta .....	128/207.14
4,627,844	12/1986	Schmitt .....	604/264
4,673,398	6/1987	Turner et al. ....	604/264

### FOREIGN PATENT DOCUMENTS

1237219 6/1986 U.S.S.R. .... 128/207.14

### OTHER PUBLICATIONS

Fisher Scientific Supplies Cat. #88, ©1987, p. 1148, Quick-Disconnect Connectors.

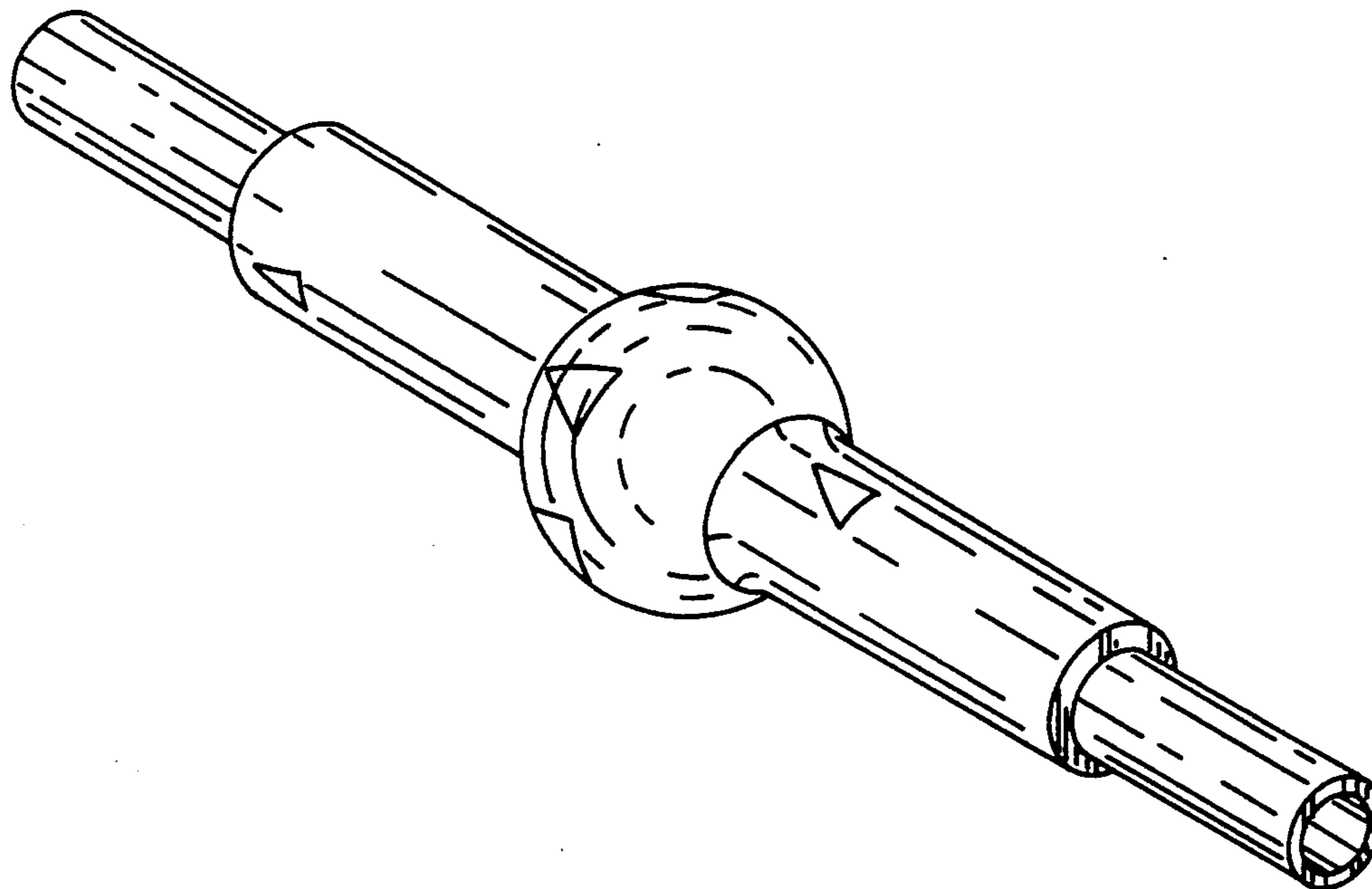
Primary Examiner—Wallace R. Burke  
Assistant Examiner—H. Baynham  
Attorney, Agent, or Firm—Terry M. Gernstein

### [57] CLAIM

The ornamental design for a medical tube connector joint, as shown.

### DESCRIPTION

FIG. 1 is a perspective view of a medical tube connector joint showing my new design;  
FIG. 2 is a side elevational view thereof;  
FIG. 3 is an opposite side elevational view thereof;  
FIG. 4 is a top plan view thereof;  
FIG. 5 is a bottom plan view thereof;  
FIG. 6 is a front elevational view thereof;  
FIG. 7 is a rear elevational view thereof.



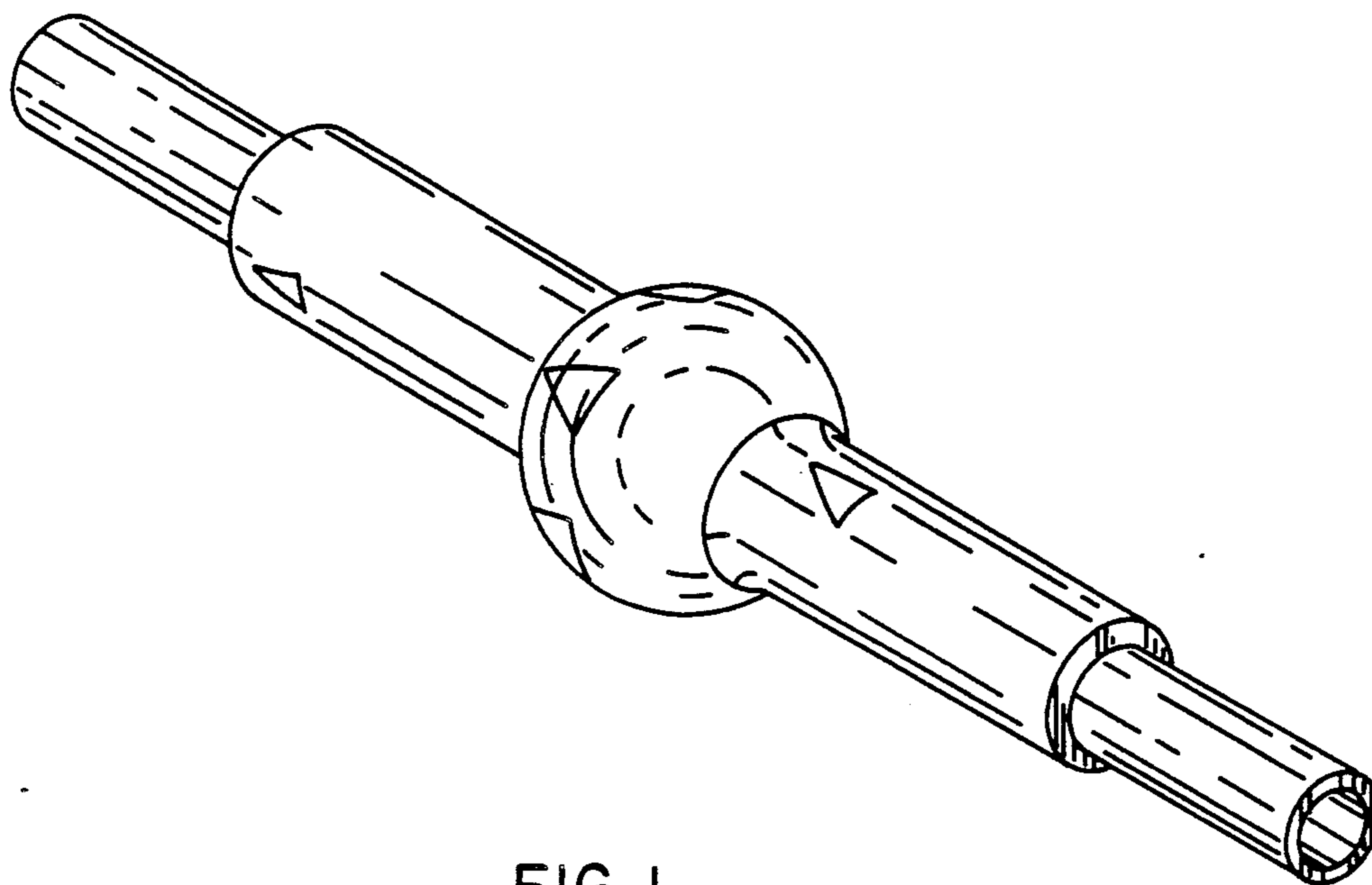


FIG. 1

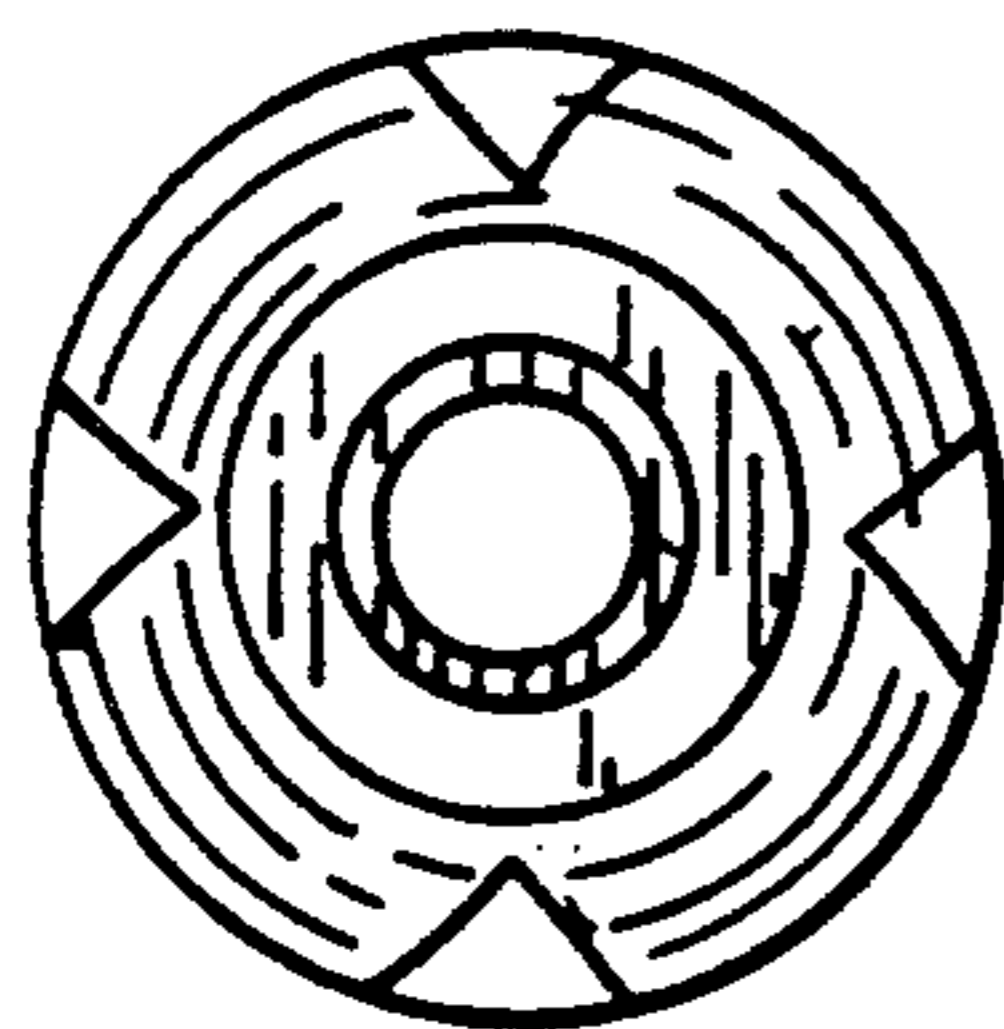


FIG. 2

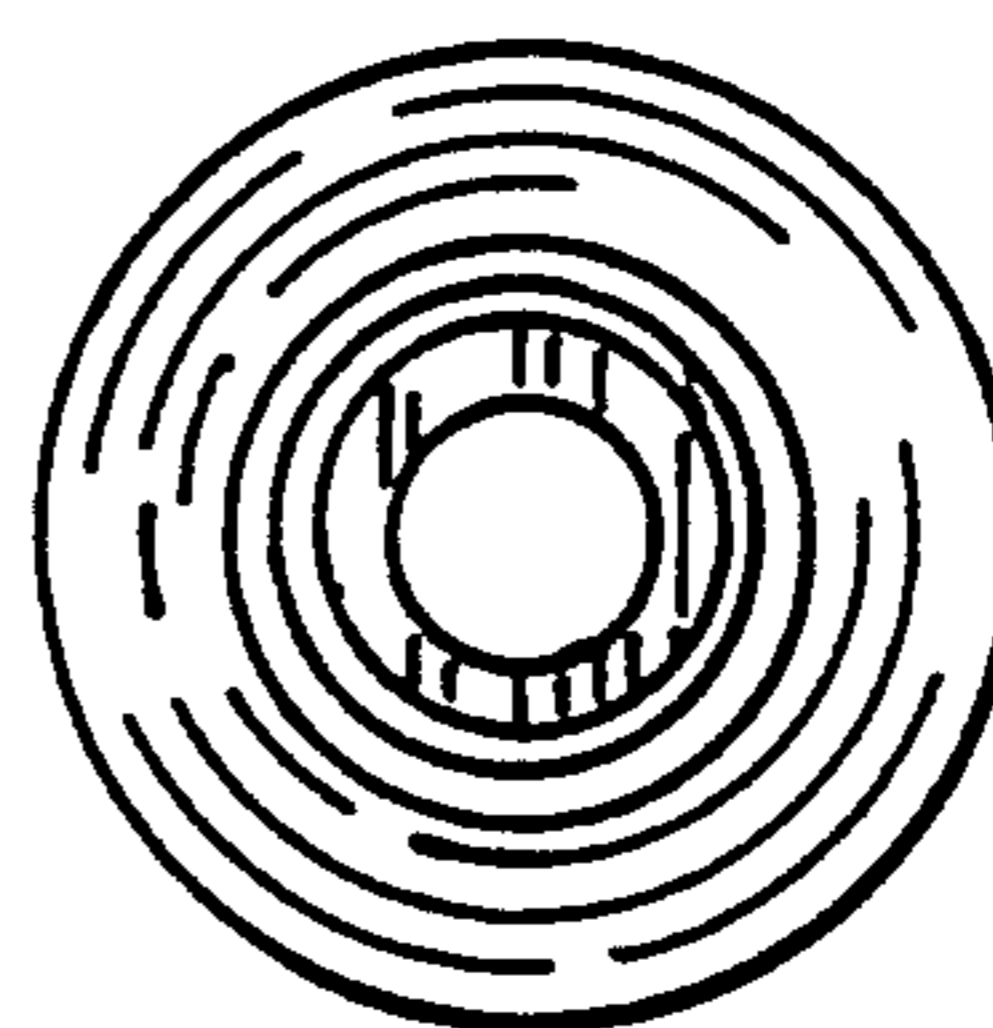


FIG. 3

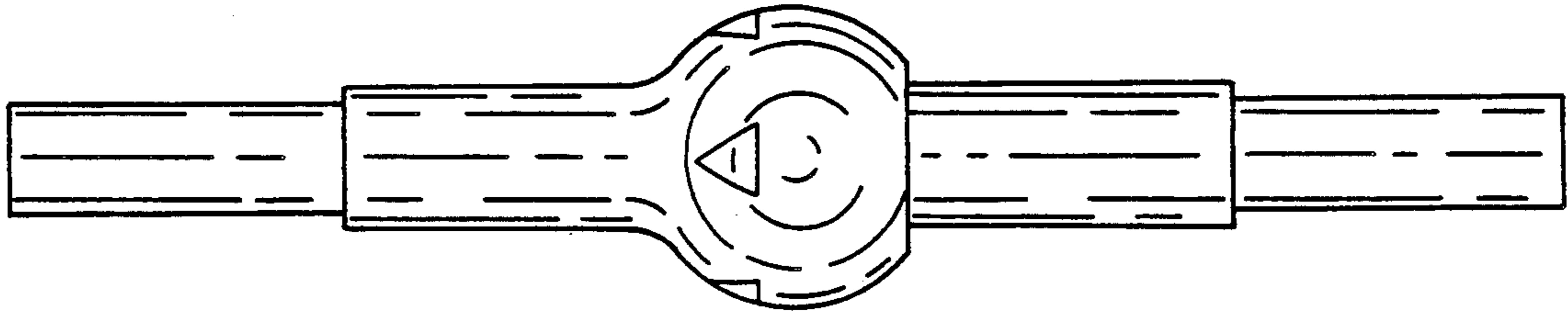


FIG. 4

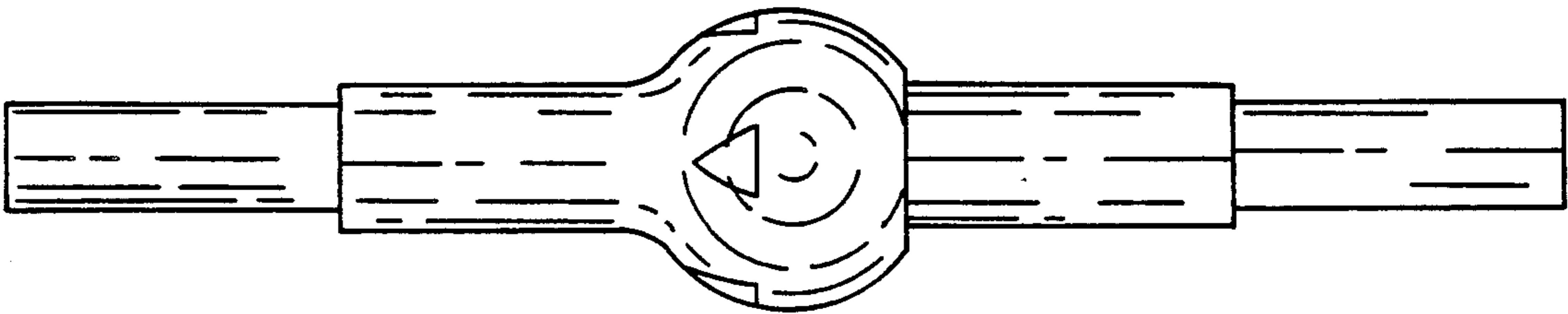


FIG. 5

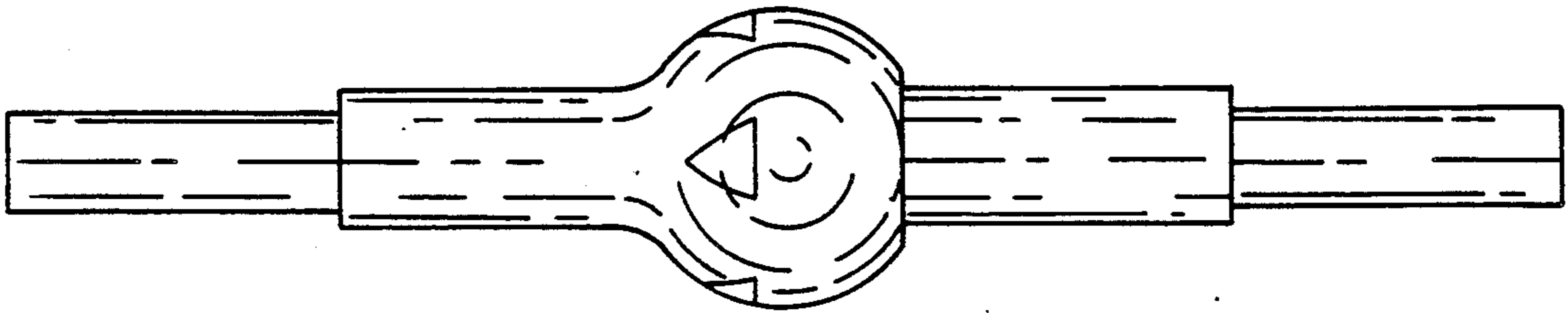


FIG. 6

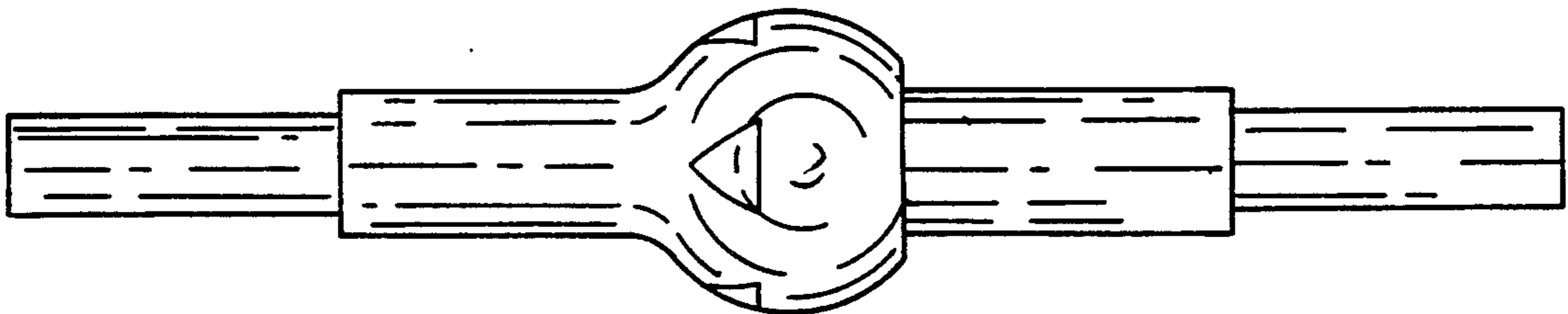


FIG. 7