



US00D324565S

United States Patent [19]

[11] Patent Number: **Des. 324,565**

Fraser

[45] Date of Patent: **** Mar. 10, 1992**

[54] **COMBINED CEILING FAN MOTOR AND SWITCH HOUSING**

FOREIGN PATENT DOCUMENTS

633176 12/1961 Canada 392/364

[75] Inventor: **R. Clark Fraser, Arlington, Tex.**

Primary Examiner—Wallace R. Burke
Assistant Examiner—Lisa Lichtenstein
Attorney, Agent, or Firm—James E. Bradley

[73] Assignee: **Davoil, Inc., Ft. Worth, Tex.**

[**] Term: **14 Years**

[57] CLAIM

The ornamental design for a combined ceiling fan motor and switch housing, as shown and described.

[21] Appl. No.: **681,169**

DESCRIPTION

[22] Filed: **Apr. 5, 1991**

[52] U.S. Cl. **D23/411**

[58] Field of Search D23/377-379,
D23/385, 411, 413; D26/59, 51, 72, 81-86, 88;
392/365-369, 364; 416/5, 247; 362/96, 363, 216

FIG. 1 is a bottom front perspective view of a combined ceiling fan motor and switch housing showing my new design, the broken line showing of fan blades is for illustrative purposes only and forms no part of the claimed design;

FIG. 2 is a bottom front perspective view thereof;

FIG. 3 is an enlarged top plan view thereof;

FIG. 4 is an enlarged bottom plan view thereof;

FIG. 5 is an enlarged front elevation view thereof;

FIG. 6 is an enlarged rear elevation view thereof;

FIG. 7 is a front elevation view of a combined ceiling fan motor and switch housing showing a second embodiment of my new design, the sole difference being a second circular fluorescent tube; and

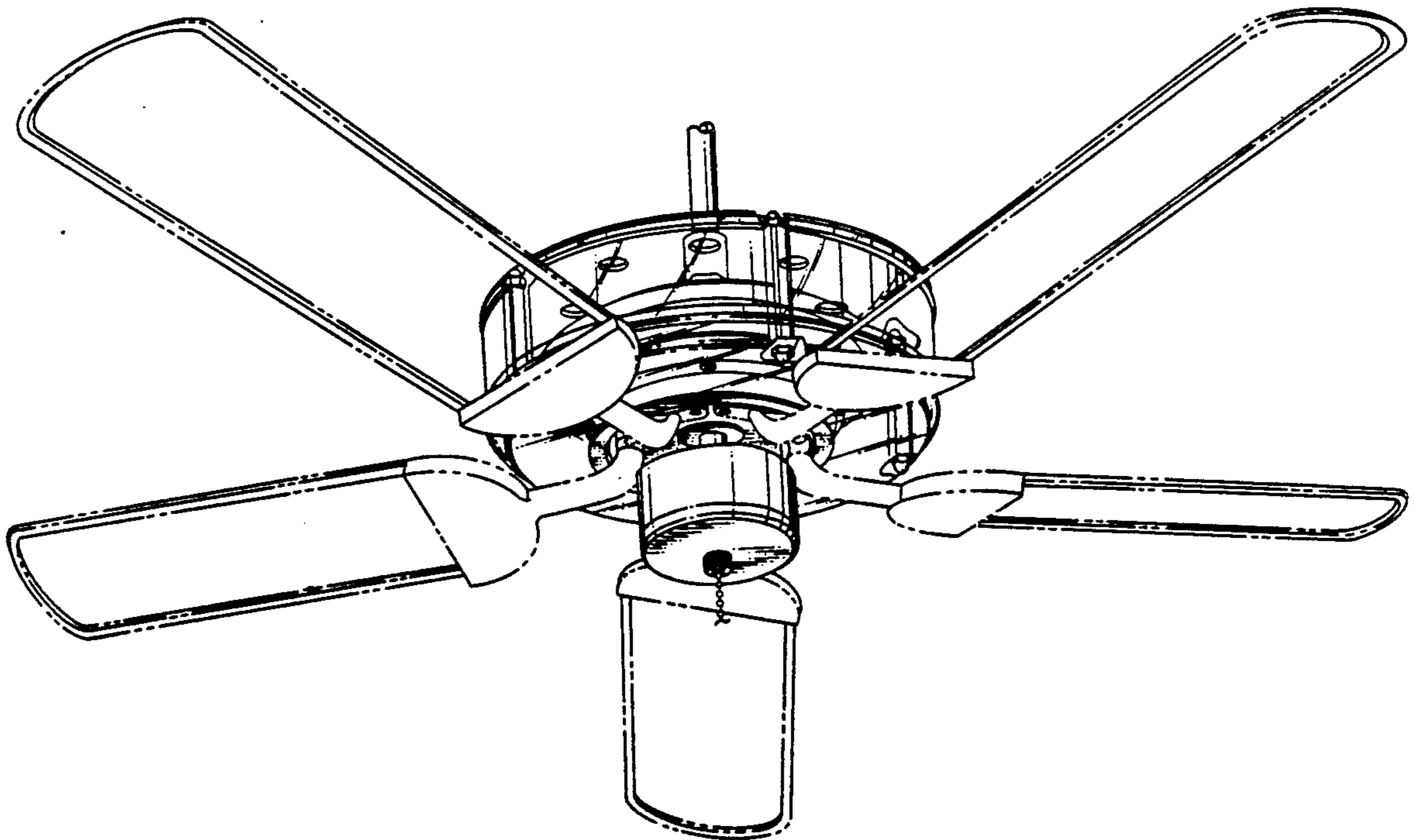
FIG. 8 is a bottom front perspective view of FIG. 7 on a reduced scale.

The supporting rod is shown broken-away in FIGS. 1, 2, 5, 6, and 7, to show indeterminate length.

[56] References Cited

U.S. PATENT DOCUMENTS

D. 210,726	4/1968	Greitzer et al.	D23/411
D. 270,563	9/1983	Phillips	D26/59
D. 270,757	9/1983	Dennis	D23/379
D. 285,720	9/1986	Markwardt	D23/377
2,201,153	5/1940	Brown	362/96
3,742,208	6/1973	Mills	362/216
4,280,167	7/1981	Ellett	362/216
4,402,649	9/1983	Laurel	D23/377
4,518,314	5/1985	Schultz	416/5
5,028,206	7/1991	Kendregan et al.	416/5



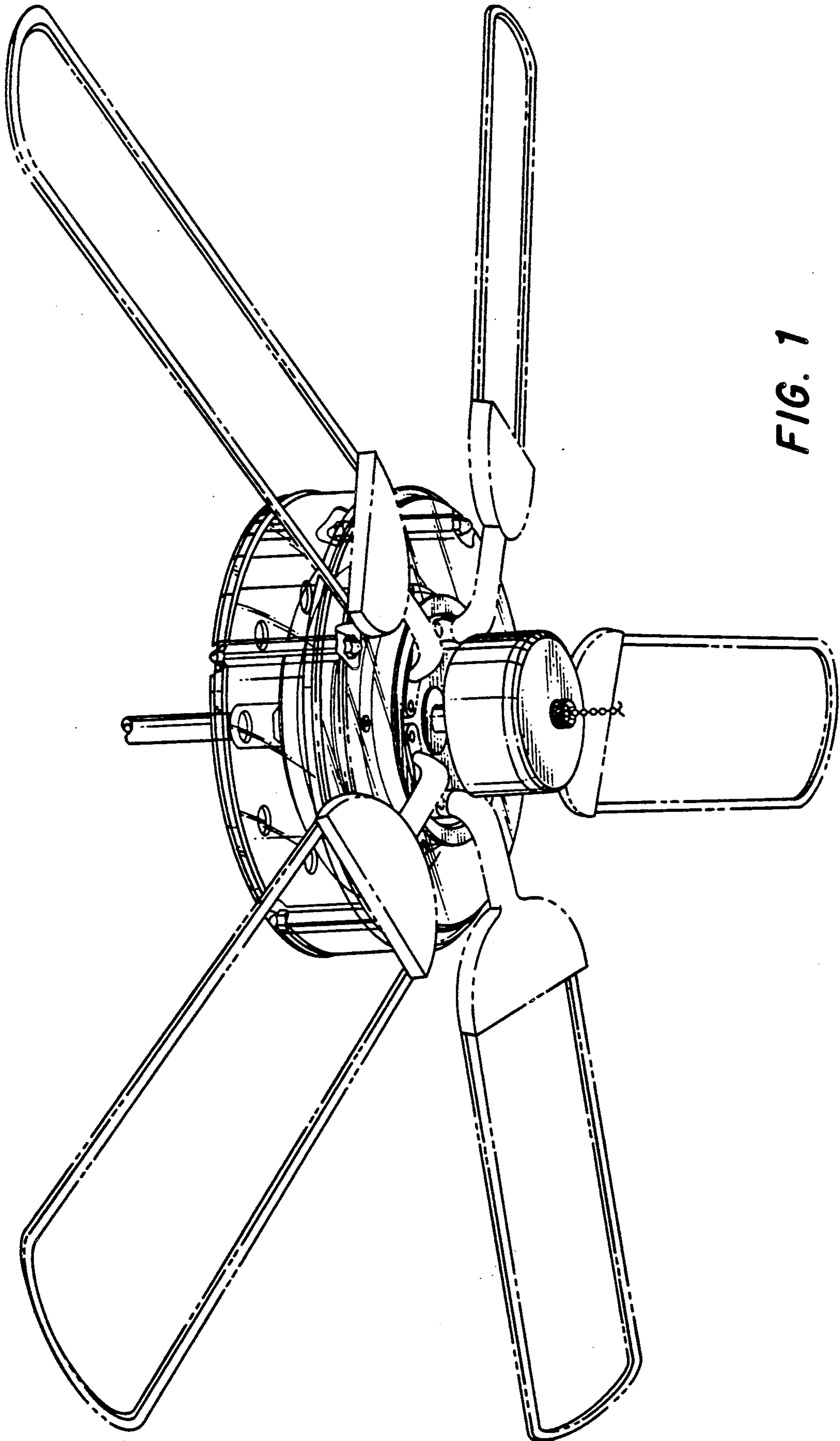


FIG. 1

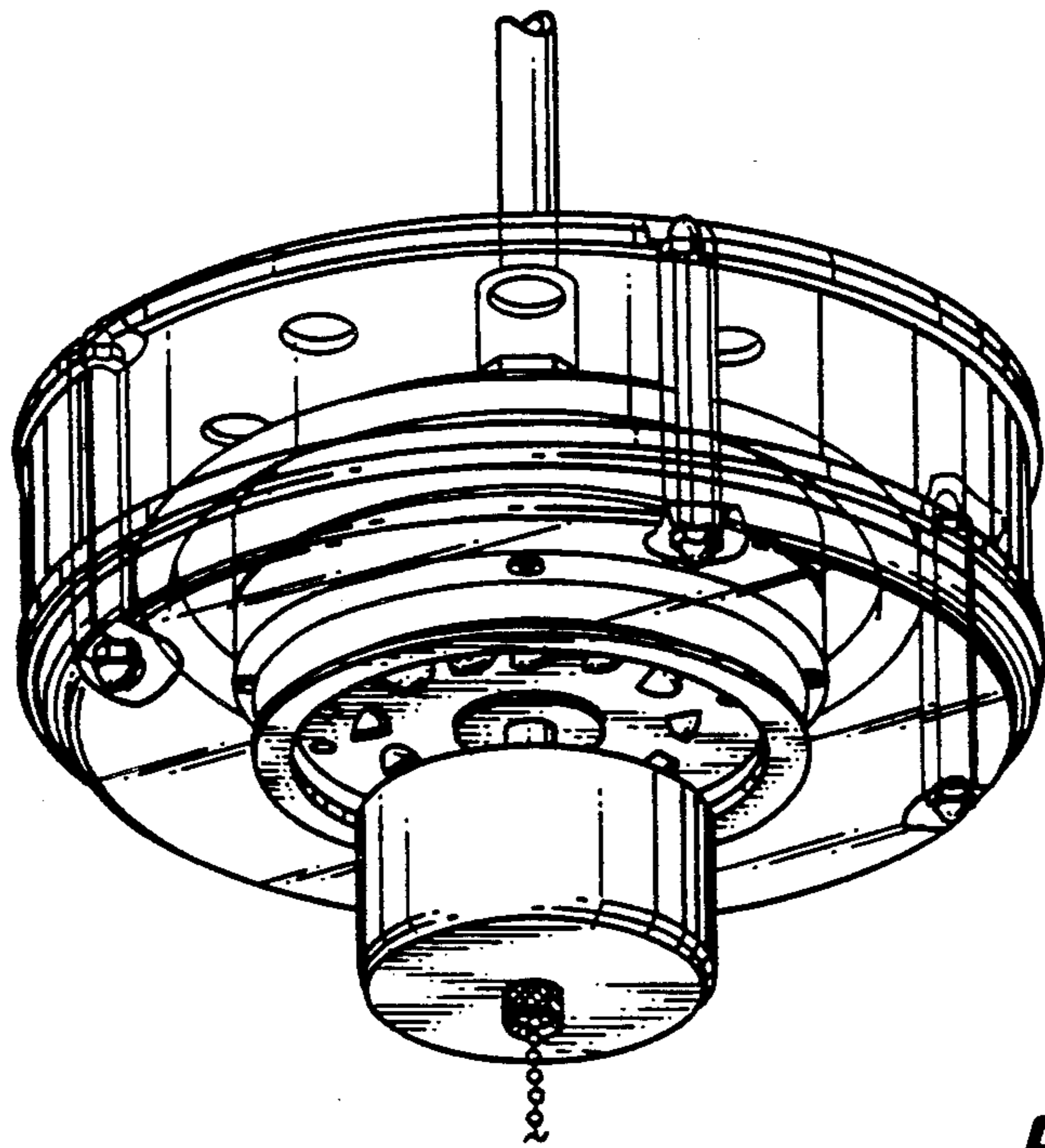


FIG. 2

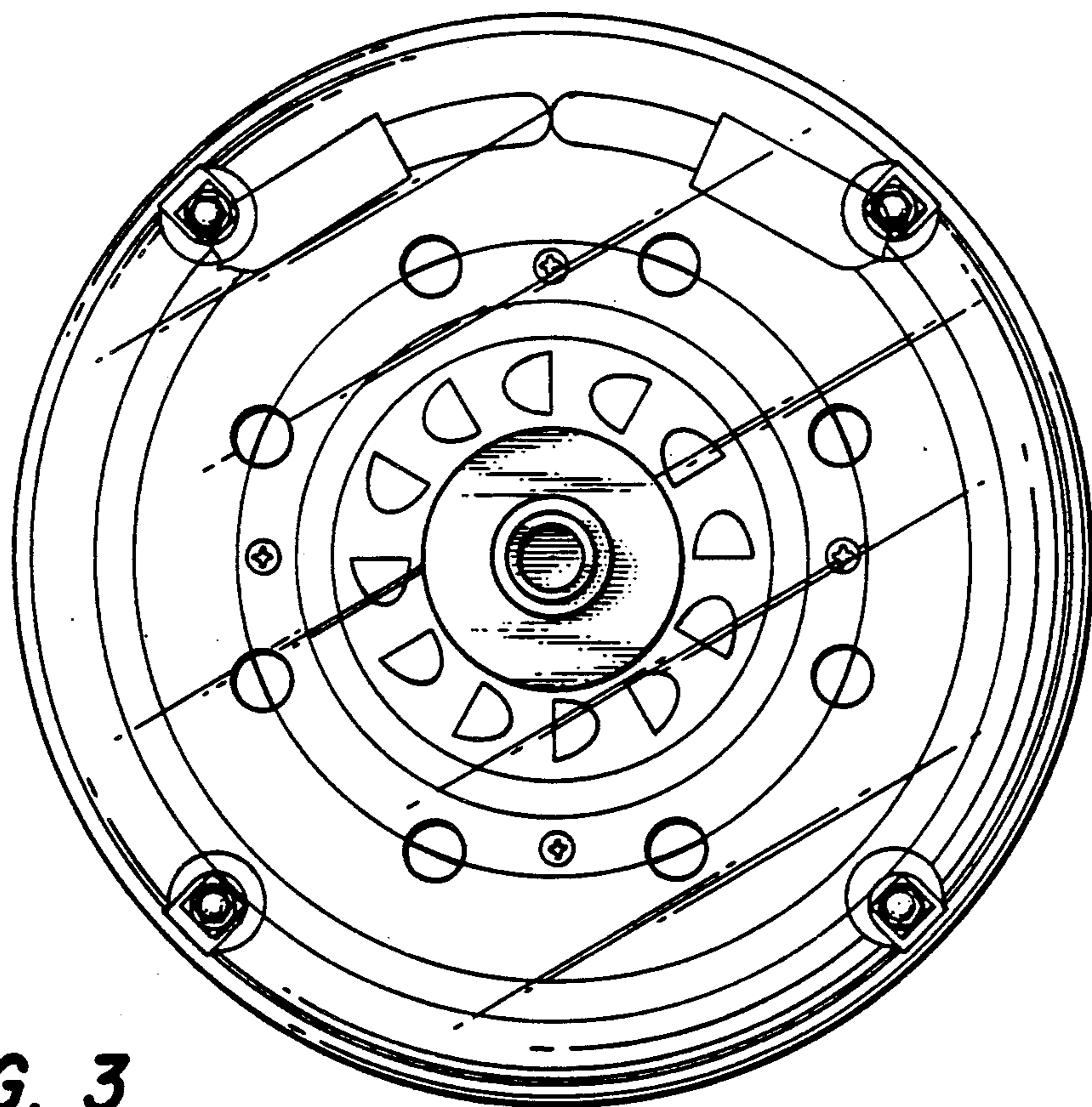


FIG. 3

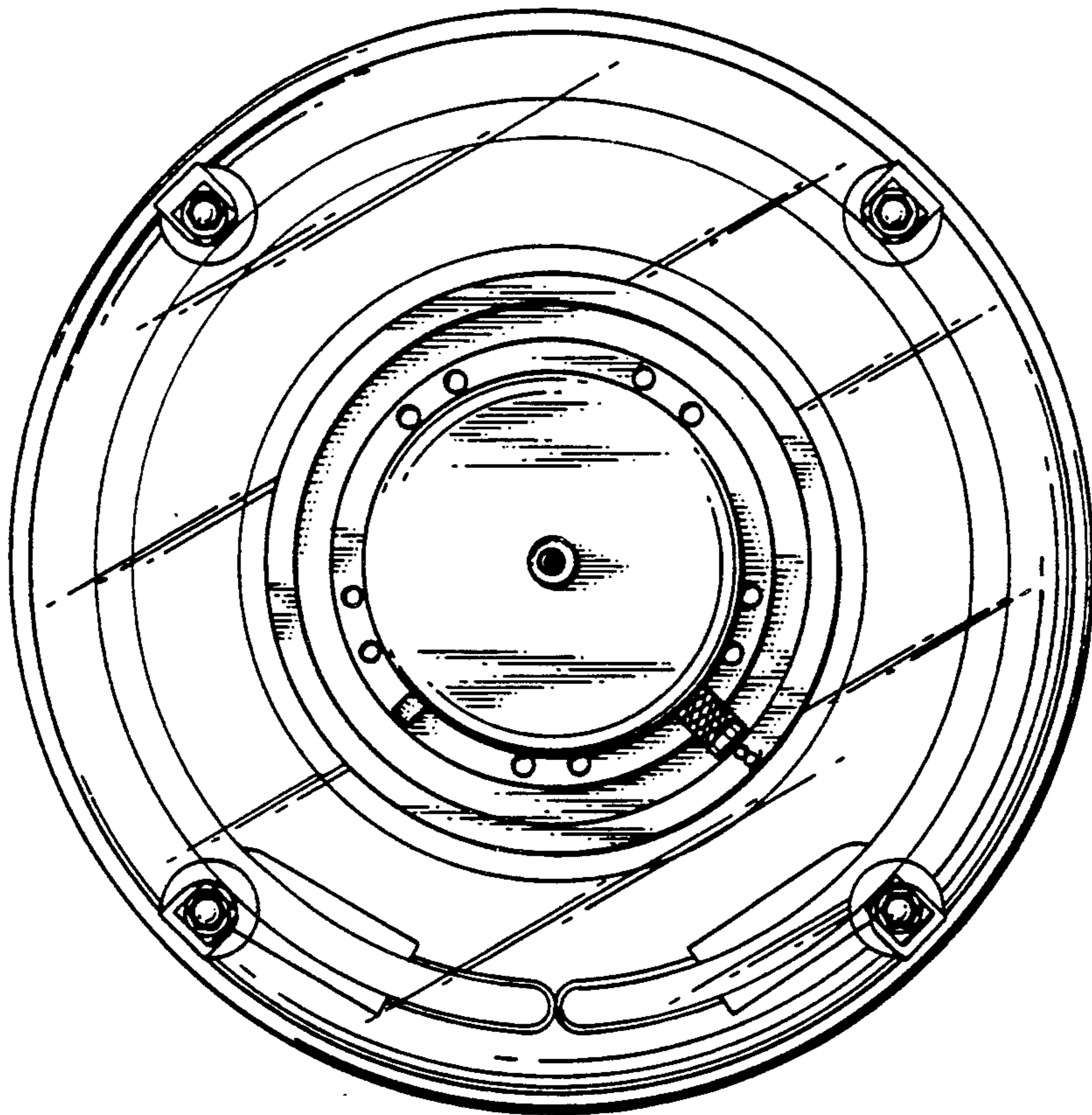


FIG. 4

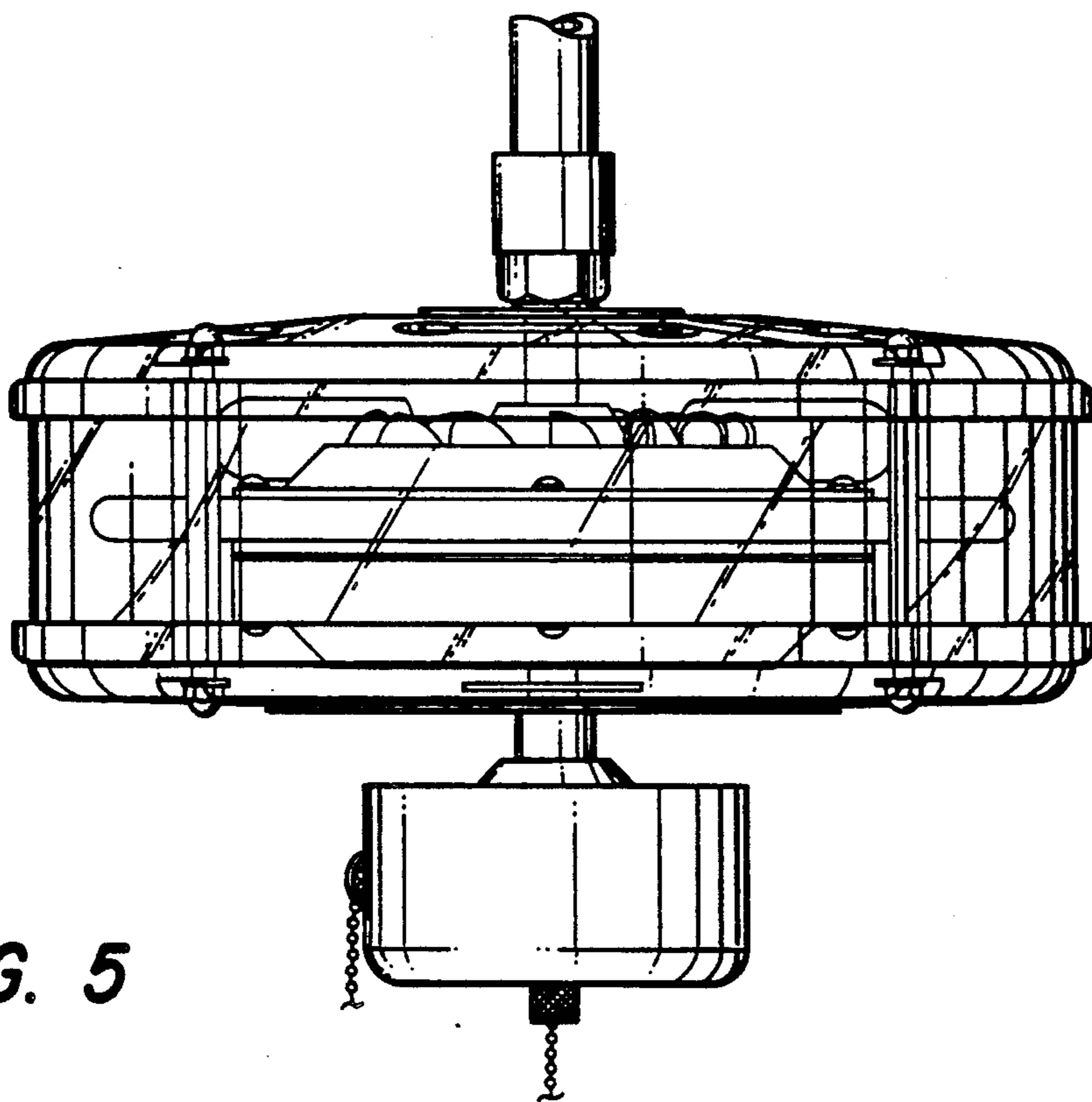
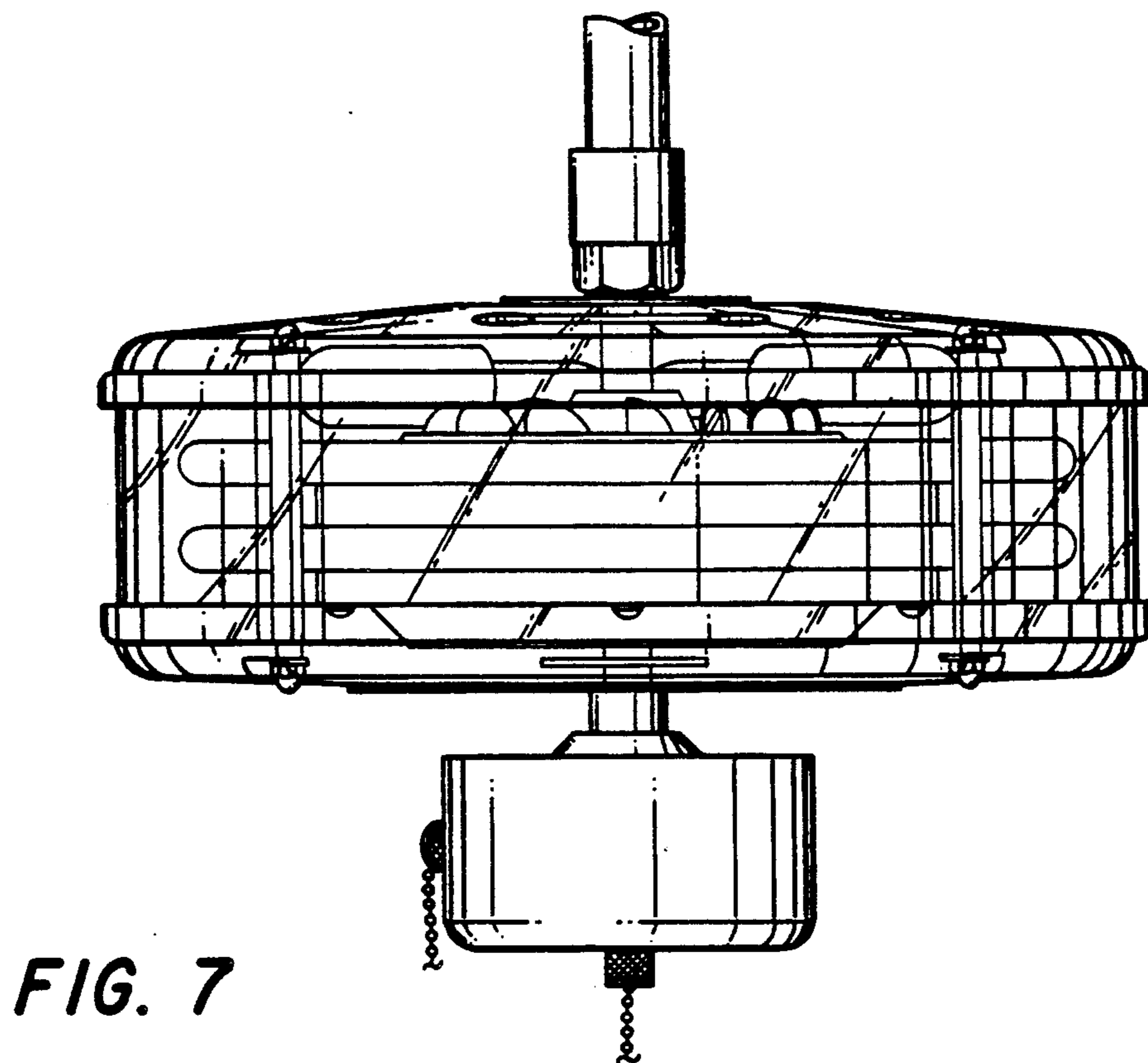
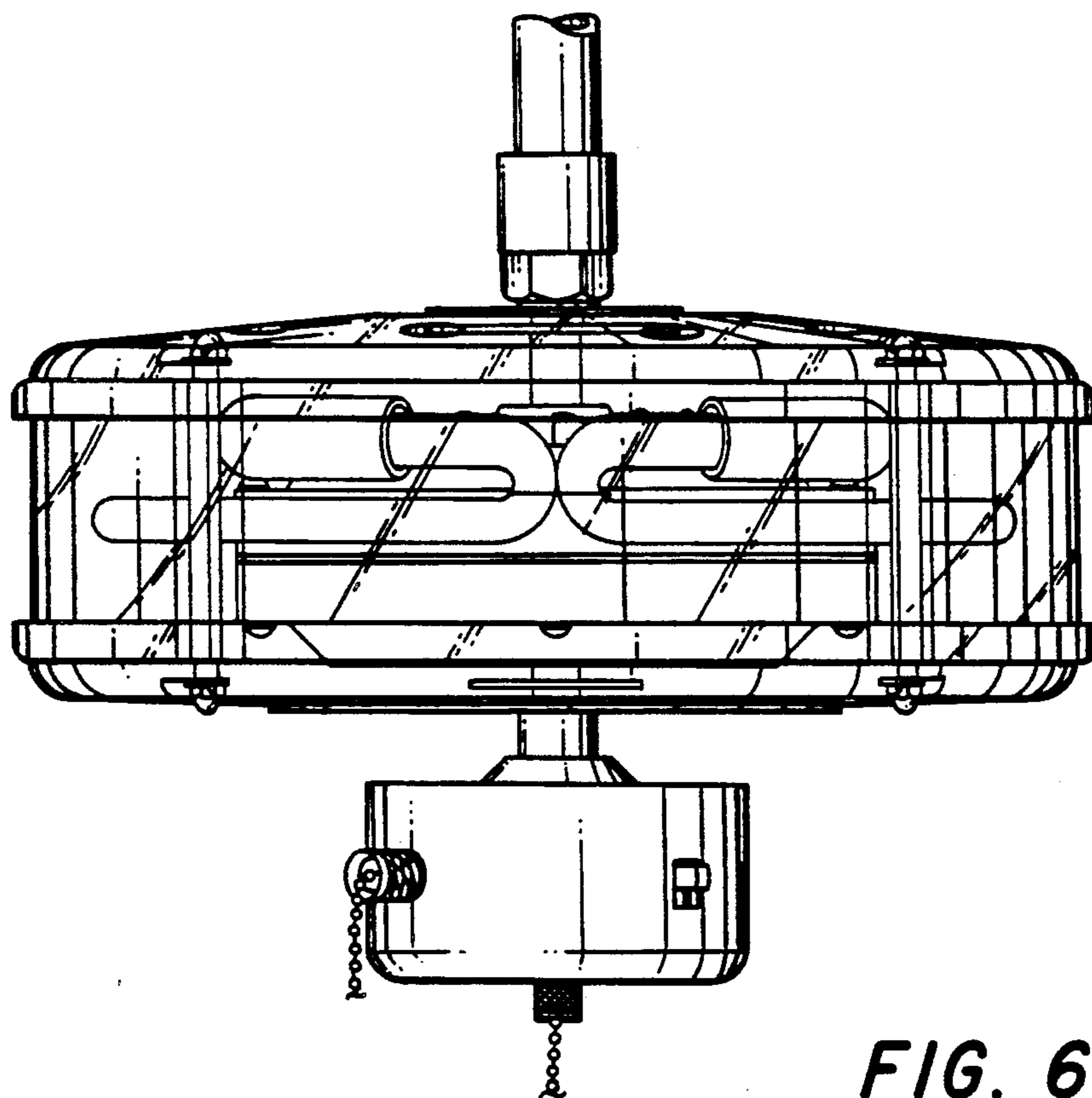


FIG. 5



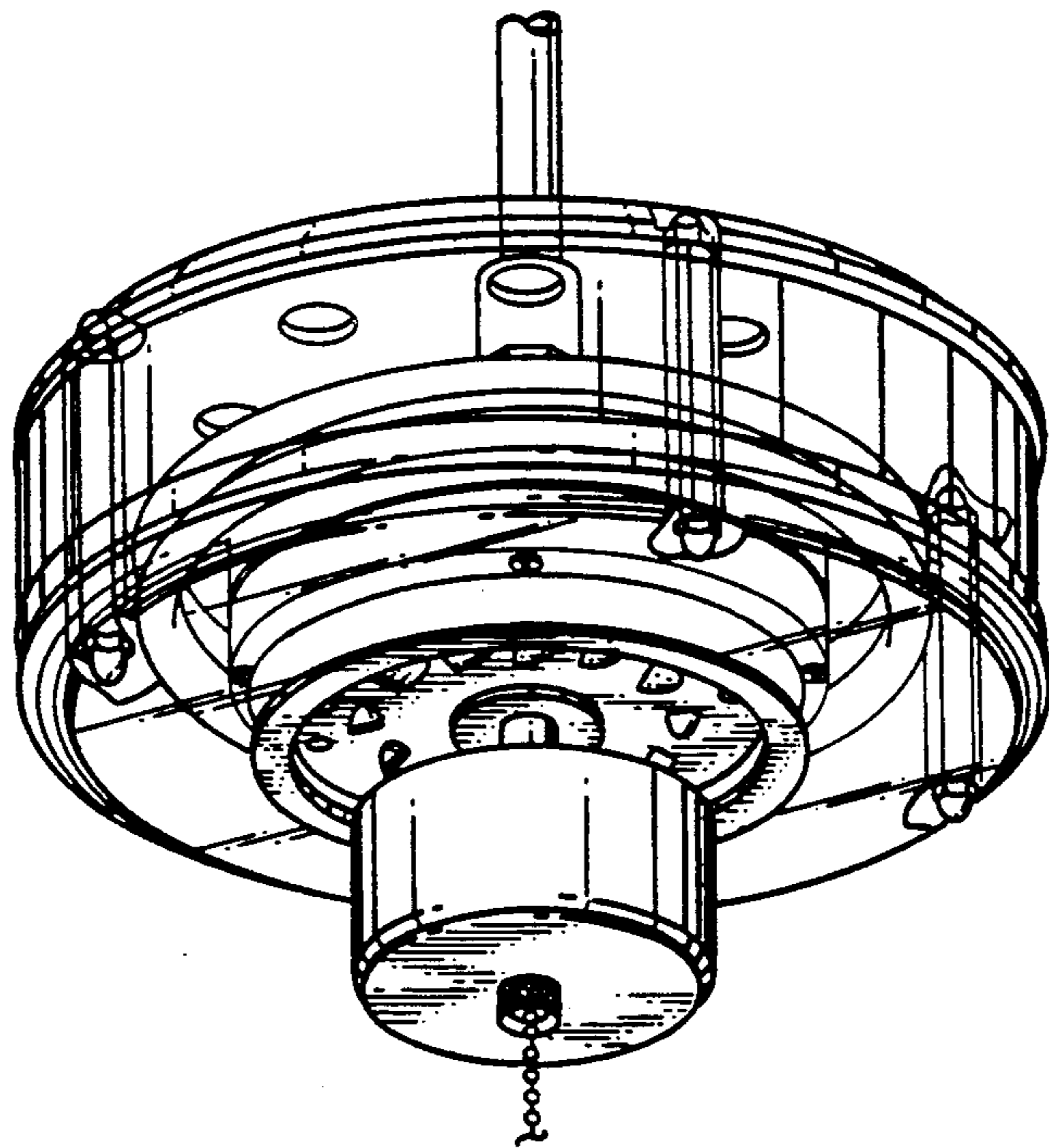


FIG. 8