



US00D324564S

United States Patent [19]
Osborne

[11] **Patent Number: Des. 324,564**
[45] **Date of Patent: ** Mar. 10, 1992**

[54] **PORTABLE ELECTRIC FAN**

[76] Inventor: **Harold H. Osborne**, 3485 W. Olive Ave., Fresno, Calif. 93722

[**] Term: **14 Years**

[21] Appl. No.: **659,133**

[22] Filed: **Feb. 22, 1991**

[52] U.S. Cl. **D23/382**

[58] Field of Search **D23/377-379, D23/381, 382, 383, 385, 370, 324, 371-375, 411, 413; 416/246, 247; 392/365-369**

[56] **References Cited**

U.S. PATENT DOCUMENTS

D. 315,018 2/1991 Wang **D23/382**
3,446,429 5/1969 Suzuki et al. **416/246**

OTHER PUBLICATIONS

Grainger's Spring '86 Cat., p. 1289, Oscillating Fan B, bottom middle of page.

Primary Examiner—Wallace R. Burke
Assistant Examiner—Lisa Lichtenstein
Attorney, Agent, or Firm—Leon Gildea

[57] **CLAIM**

The ornamental design for a portable electric fan, as shown.

DESCRIPTION

FIG. 1 is a front elevational view of a portable electric fan showing my new design;
FIG. 2 is a rear elevational view thereof;
FIG. 3 is a left side elevational view thereof;
FIG. 4 is a right side elevational view thereof;
FIG. 5 is a top plan view thereof; and
FIG. 6 is a bottom plan view thereof.

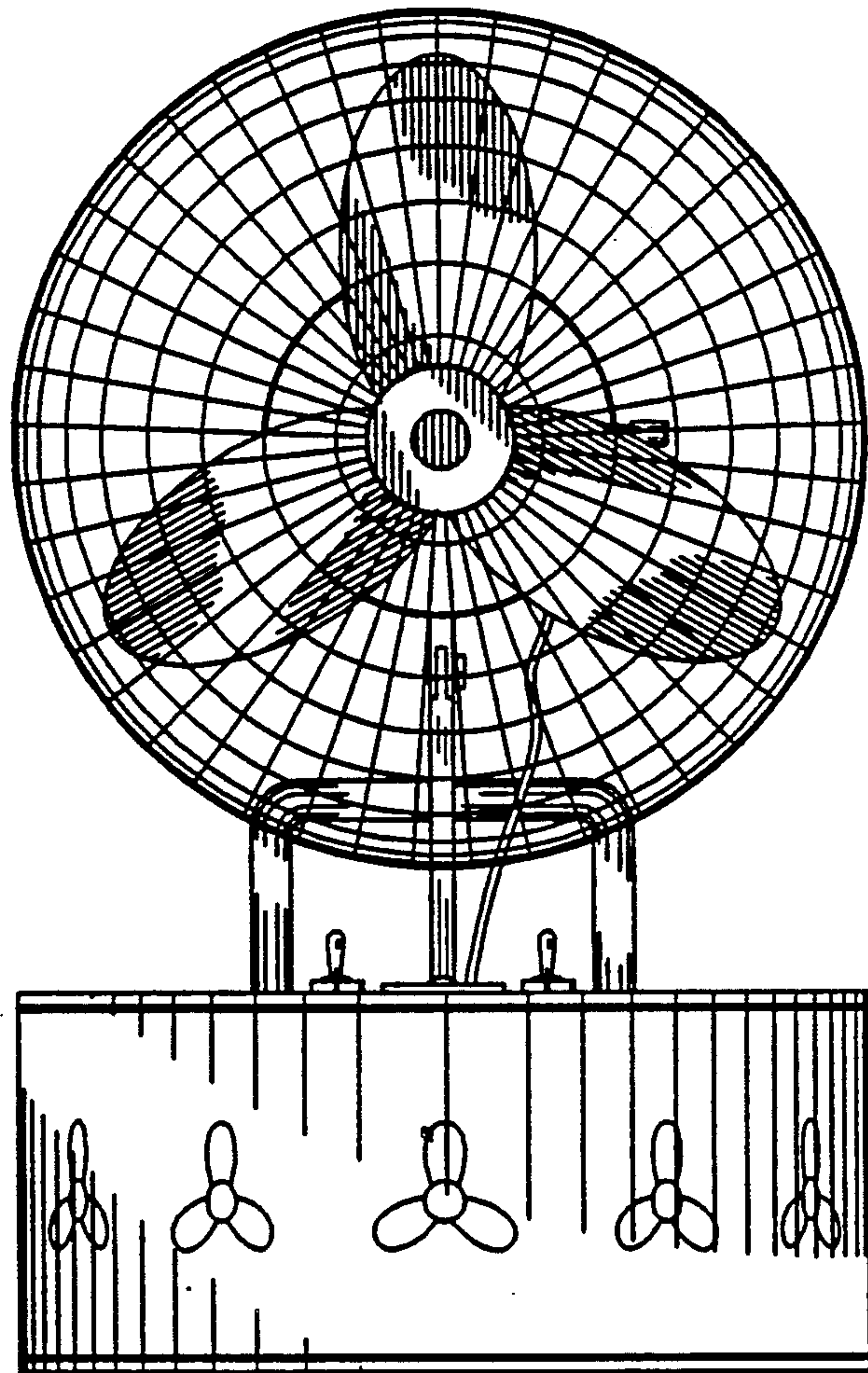


FIG. 1

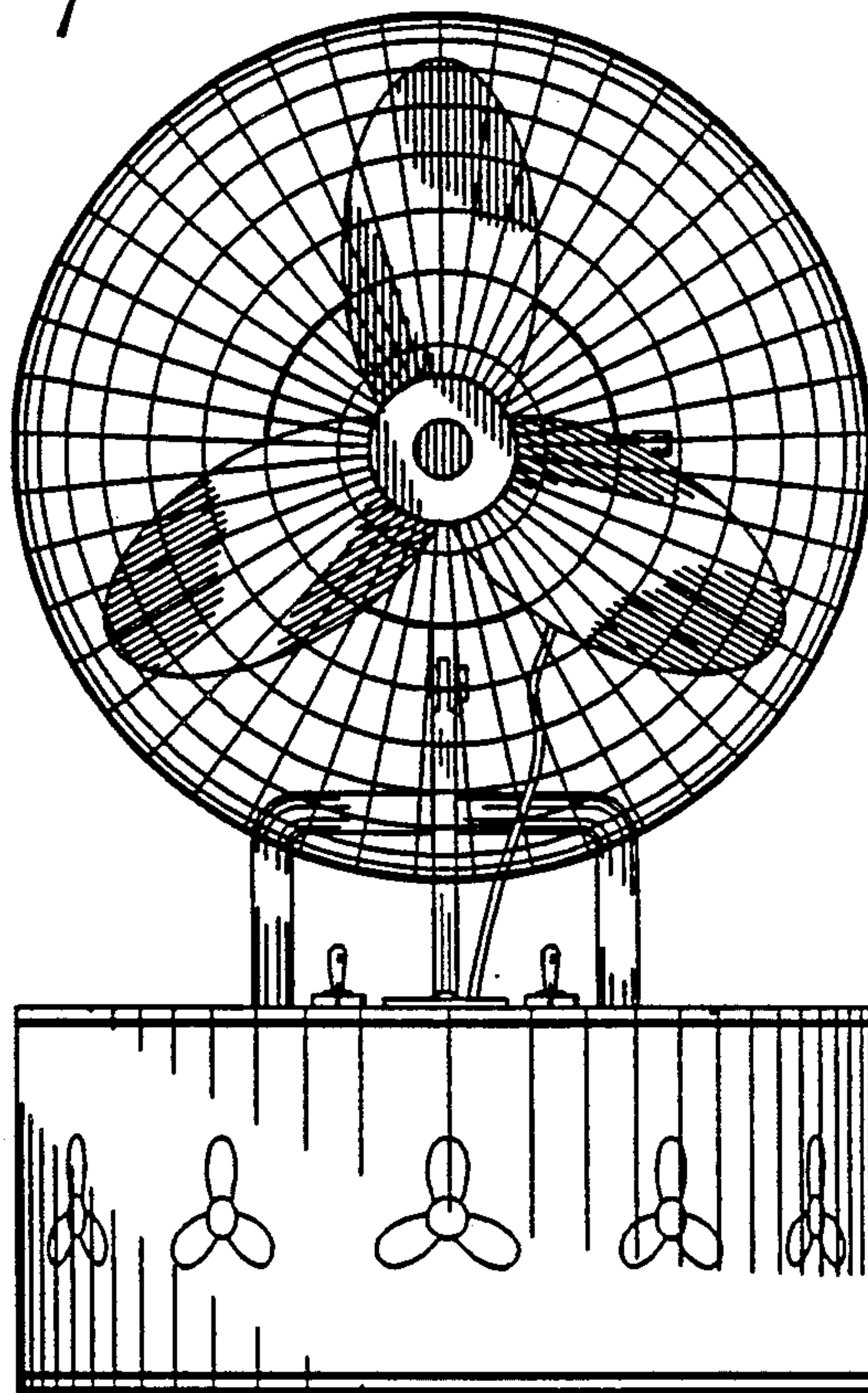


FIG. 2

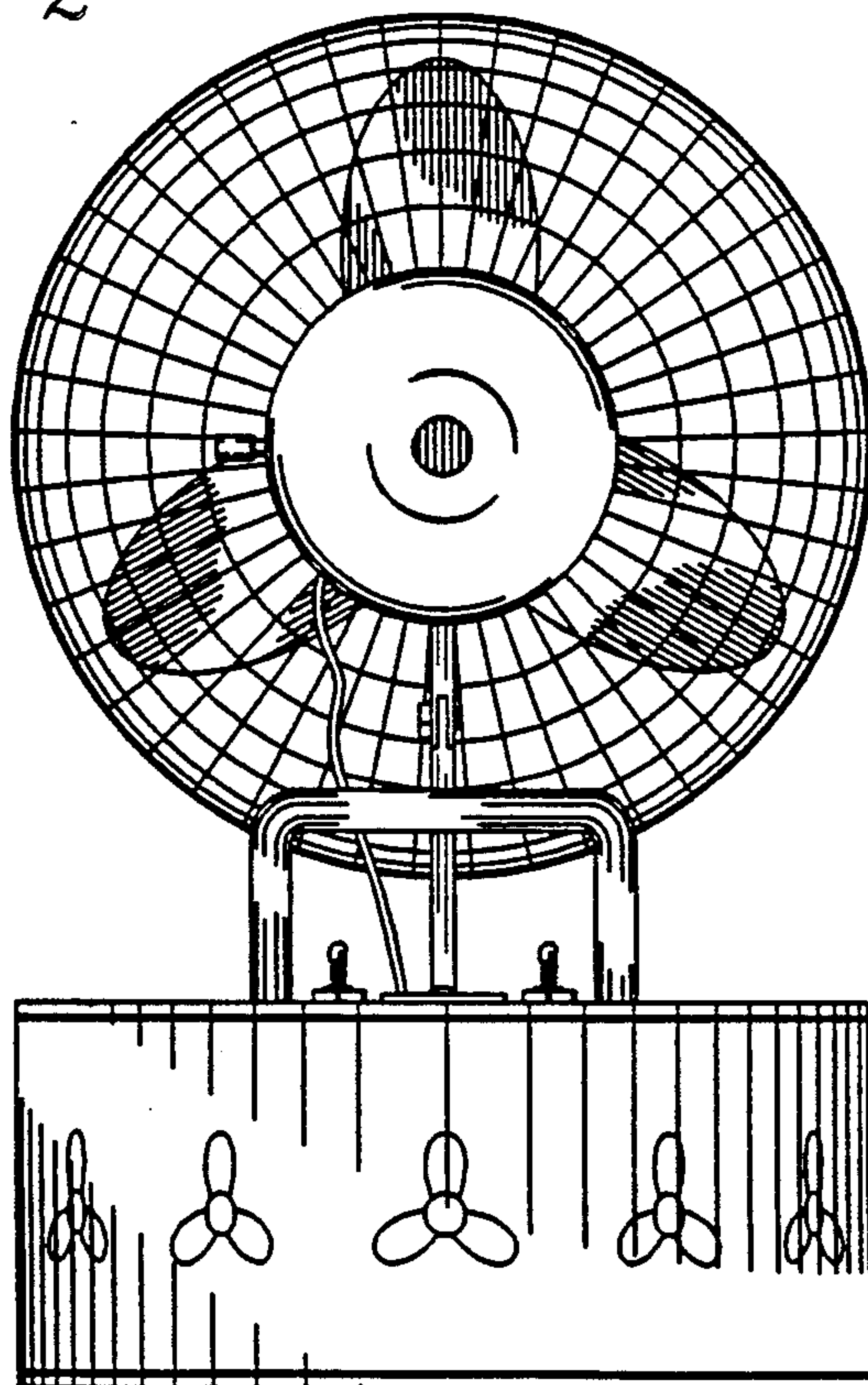


FIG. 3

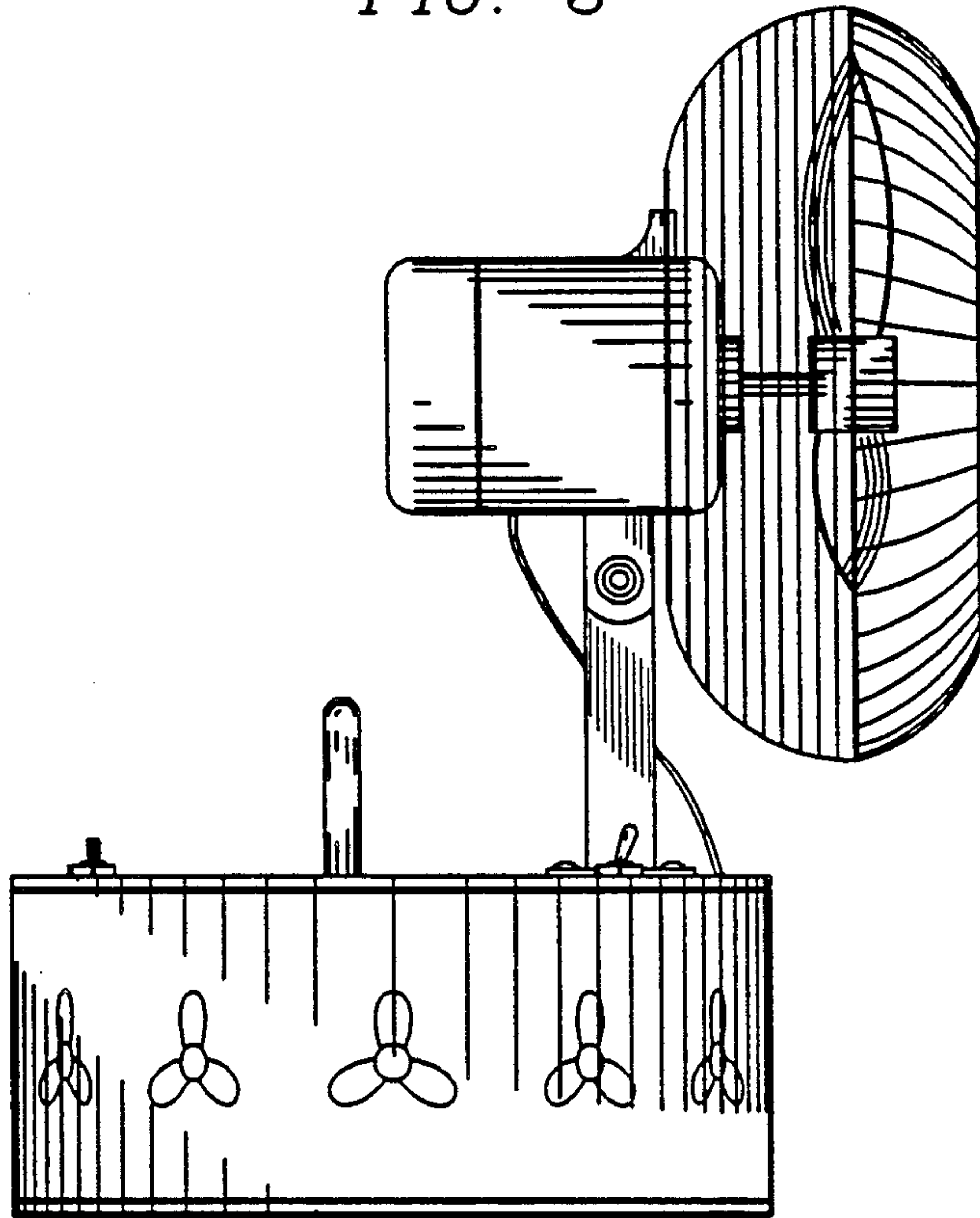


FIG. 4

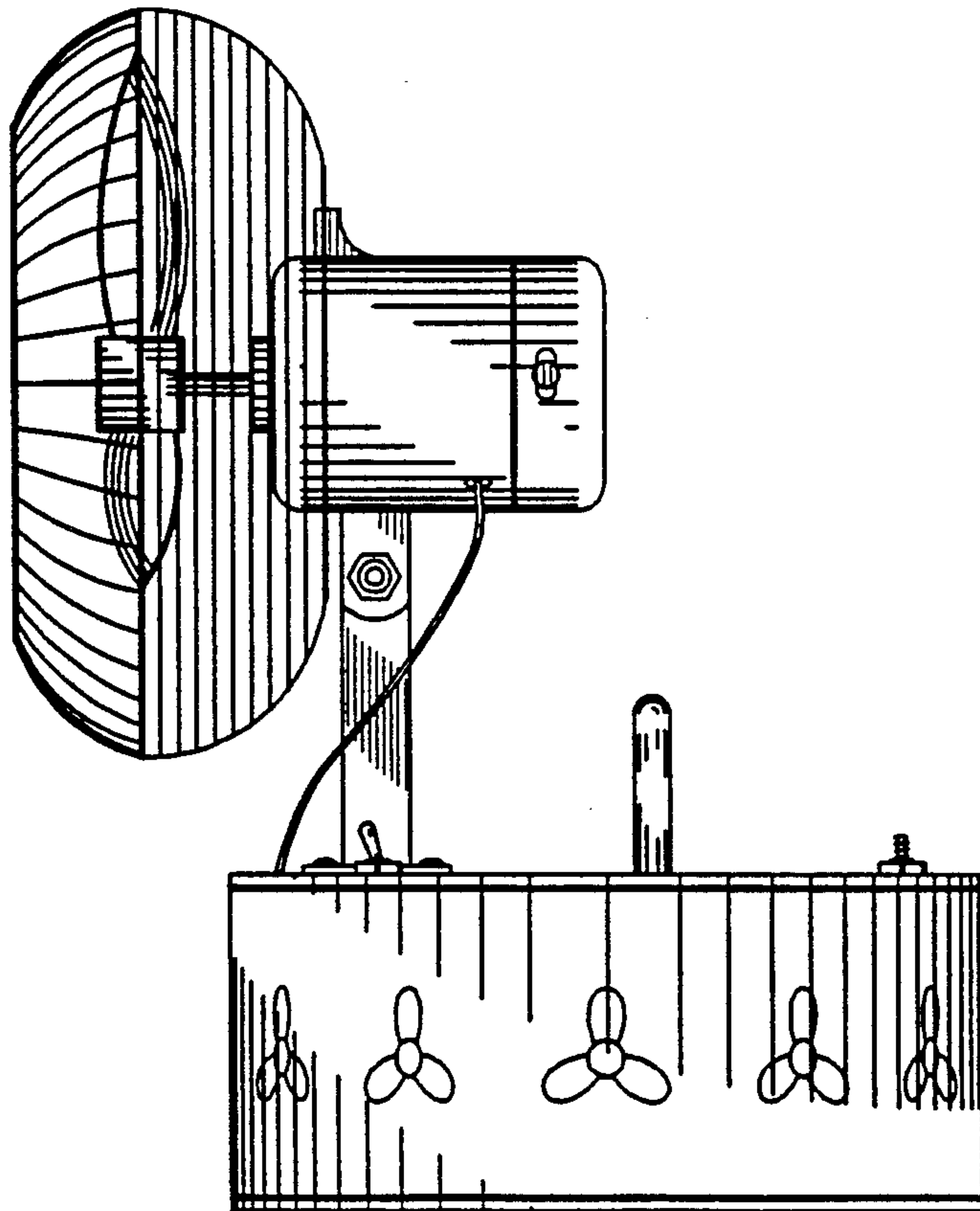


FIG. 5

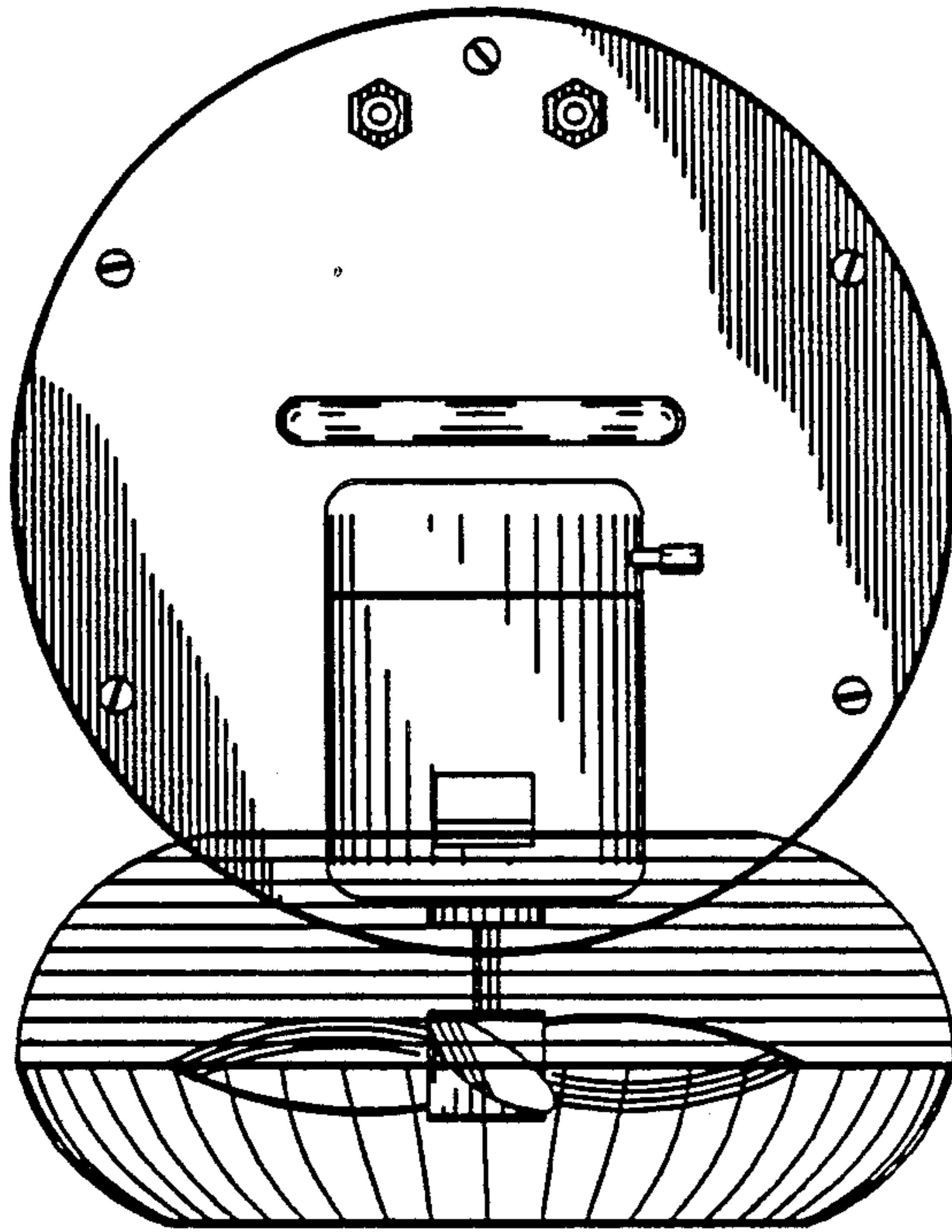


FIG. 6

