



US00D324562S

United States Patent [19]

Heitz

[11] Patent Number: Des. 324,562

[45] Date of Patent: ** Mar. 10, 1992

[54] HOSE SPRAYER

[76] Inventor: Sherrian R. Heitz, 526 Briar Knoll, Houston, Tex. 77079

[**] Term: 14 Years

[21] Appl. No.: 376,359

[22] Filed: Jul. 6, 1989

[52] U.S. Cl. D23/213

[58] Field of Search D23/200, 213, 223-229; 239/531-532, 567-568, 592, 530, 36

[56] **References Cited**

U.S. PATENT DOCUMENTS

D. 270,368	8/1983	Gime	D23/225
D. 278,550	4/1985	Blank	D23/200
D. 281,900	12/1985	Gunzel, Jr. et al.	D23/225
D. 282,959	3/1986	Powell	D23/226
D. 300,769	4/1989	Hindmarch	D23/225
3,727,841	4/1973	Hengesbach	239/532 X
4,899,940	2/1990	Leaver	239/532 X

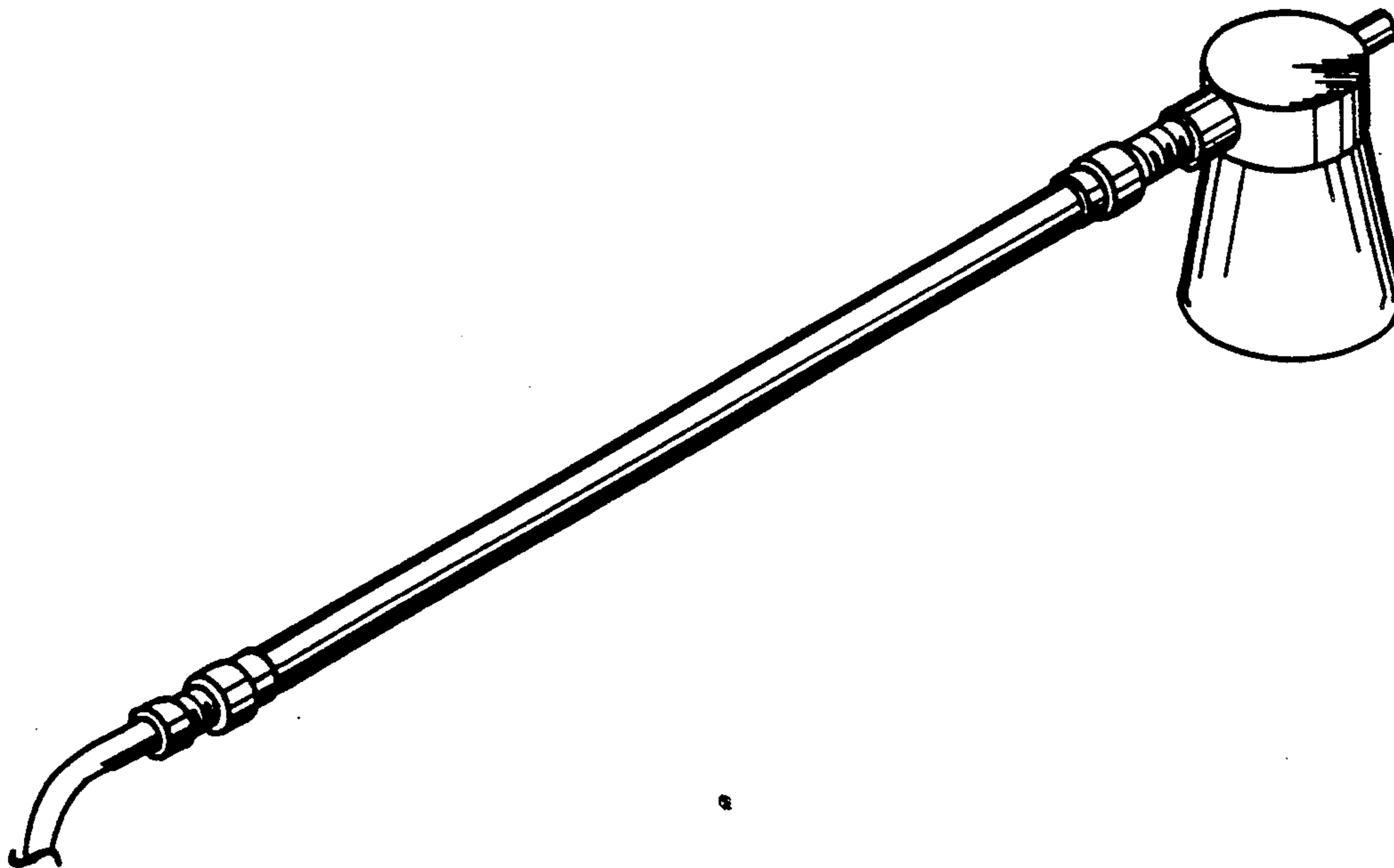
Primary Examiner—Susan J. Lucas
Assistant Examiner—M. H. Tung
Attorney, Agent, or Firm—Browning, Bushman, Anderson & Brookhart

[57] **CLAIM**

The ornamental design for a hose sprayer, as shown and described.

DESCRIPTION

FIG. 1 is a front perspective view of a hose sprayer showing my new design;
FIG. 2 is a rear perspective view thereof;
FIG. 3 is a front perspective view of a second embodiment thereof;
FIG. 4 is a rear perspective view thereof;
FIG. 5 is a side elevational view of the first embodiment, on an enlarged scale; and
FIG. 6 is a side elevational view of the second embodiment, on an enlarged scale.
The bottom of the hose sprayer for each of the embodiments as shown in the drawings has unadorned features, and is not normally visible during use of the sprayer.



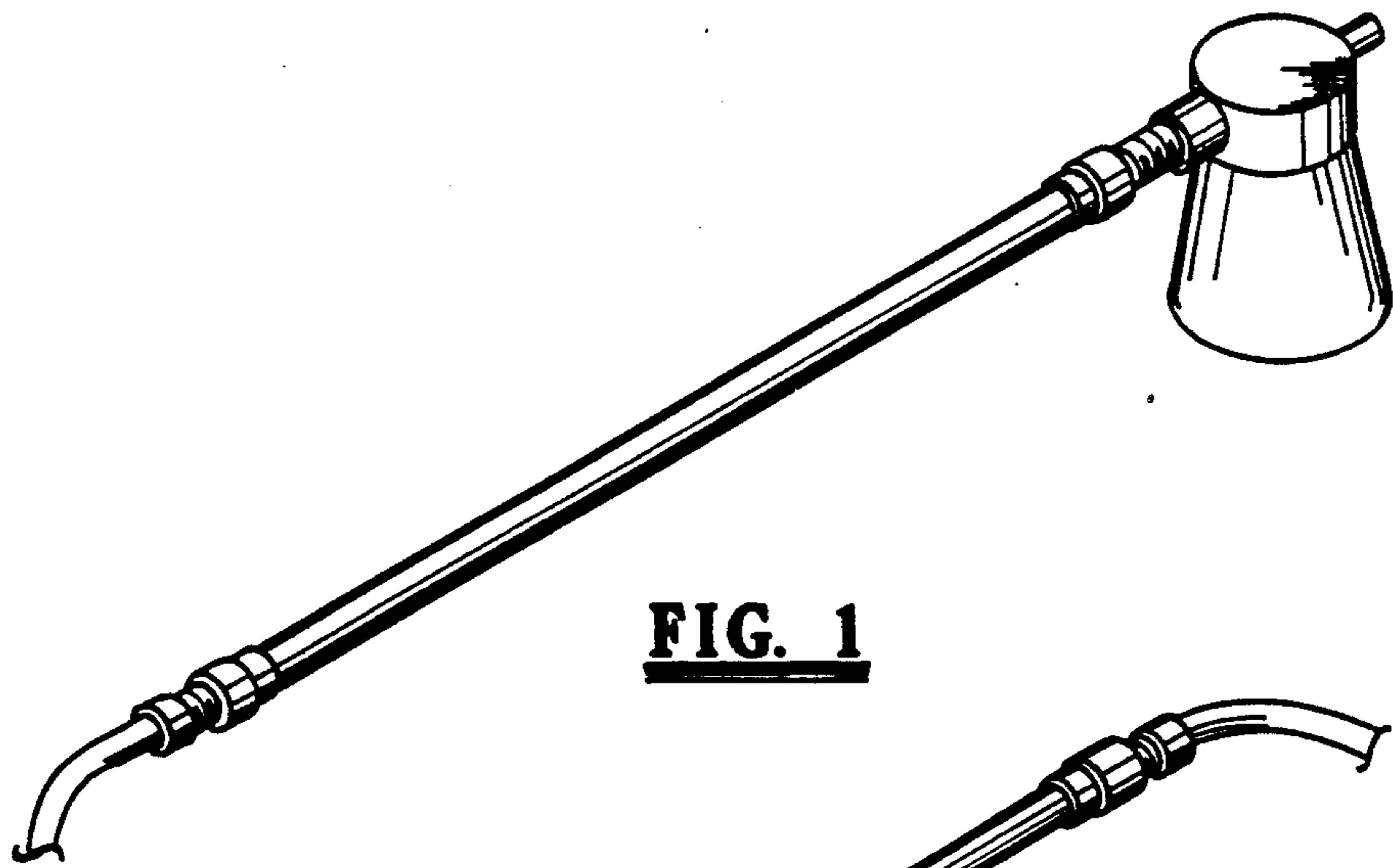


FIG. 1

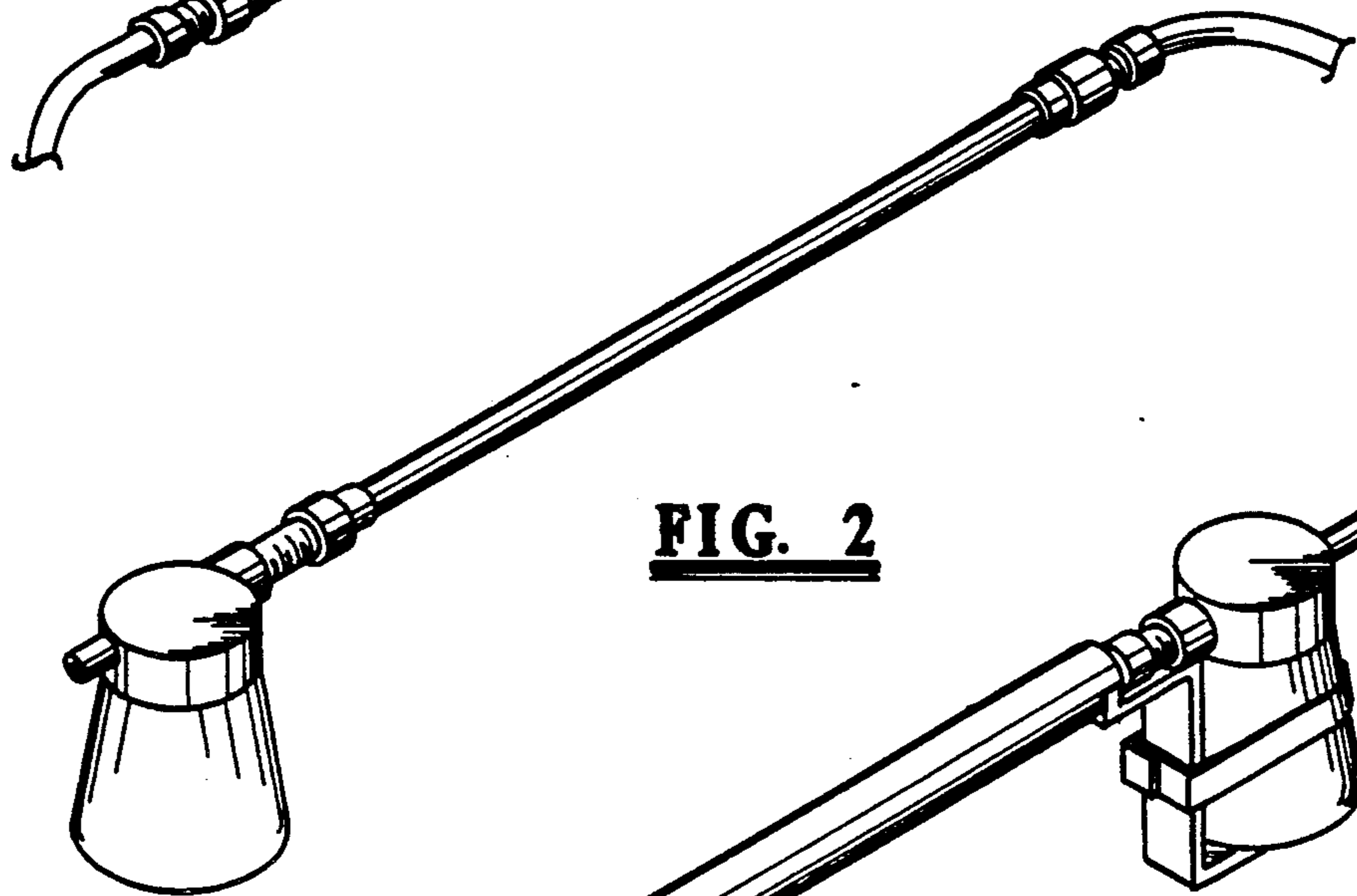


FIG. 2

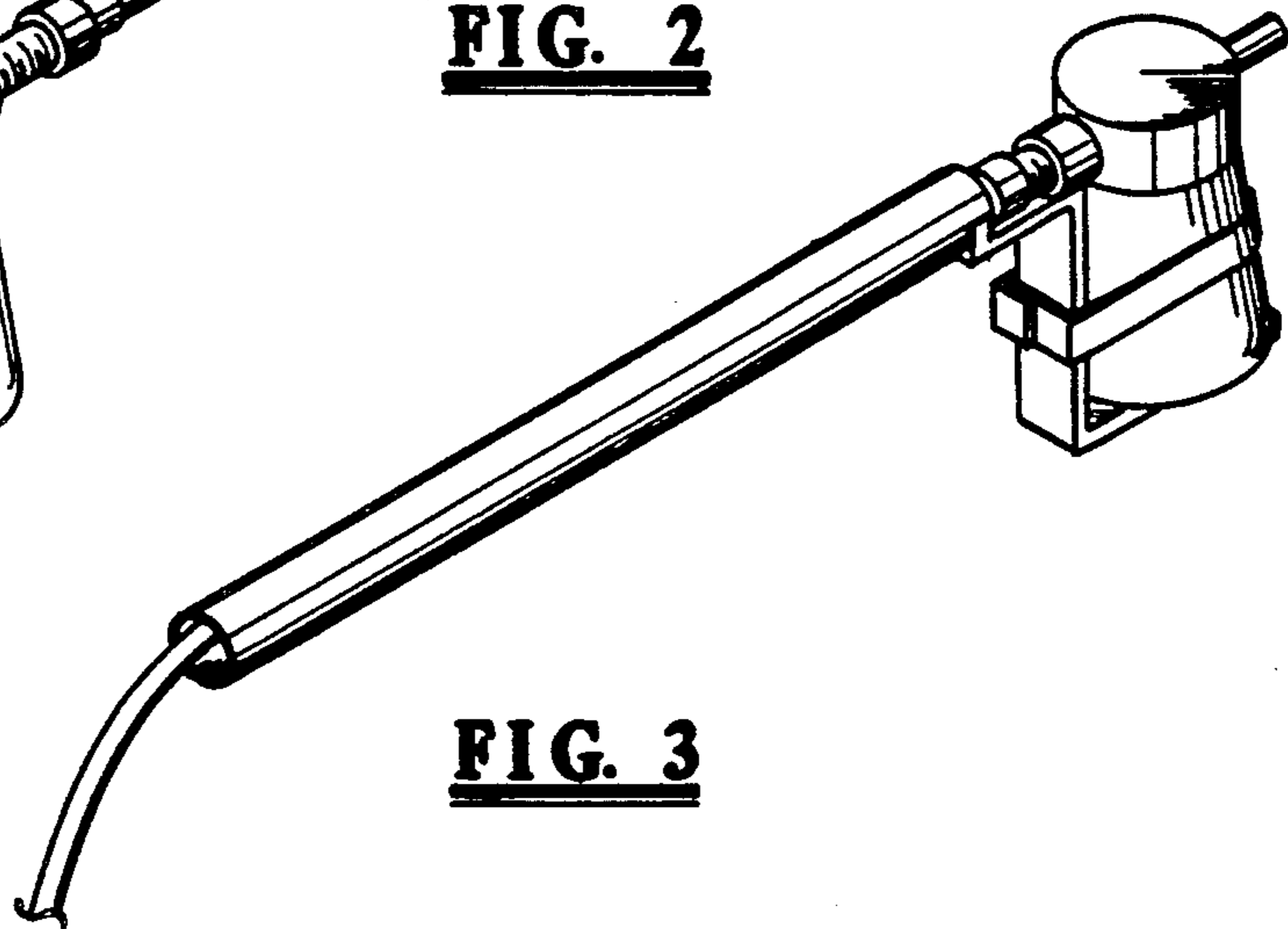


FIG. 3

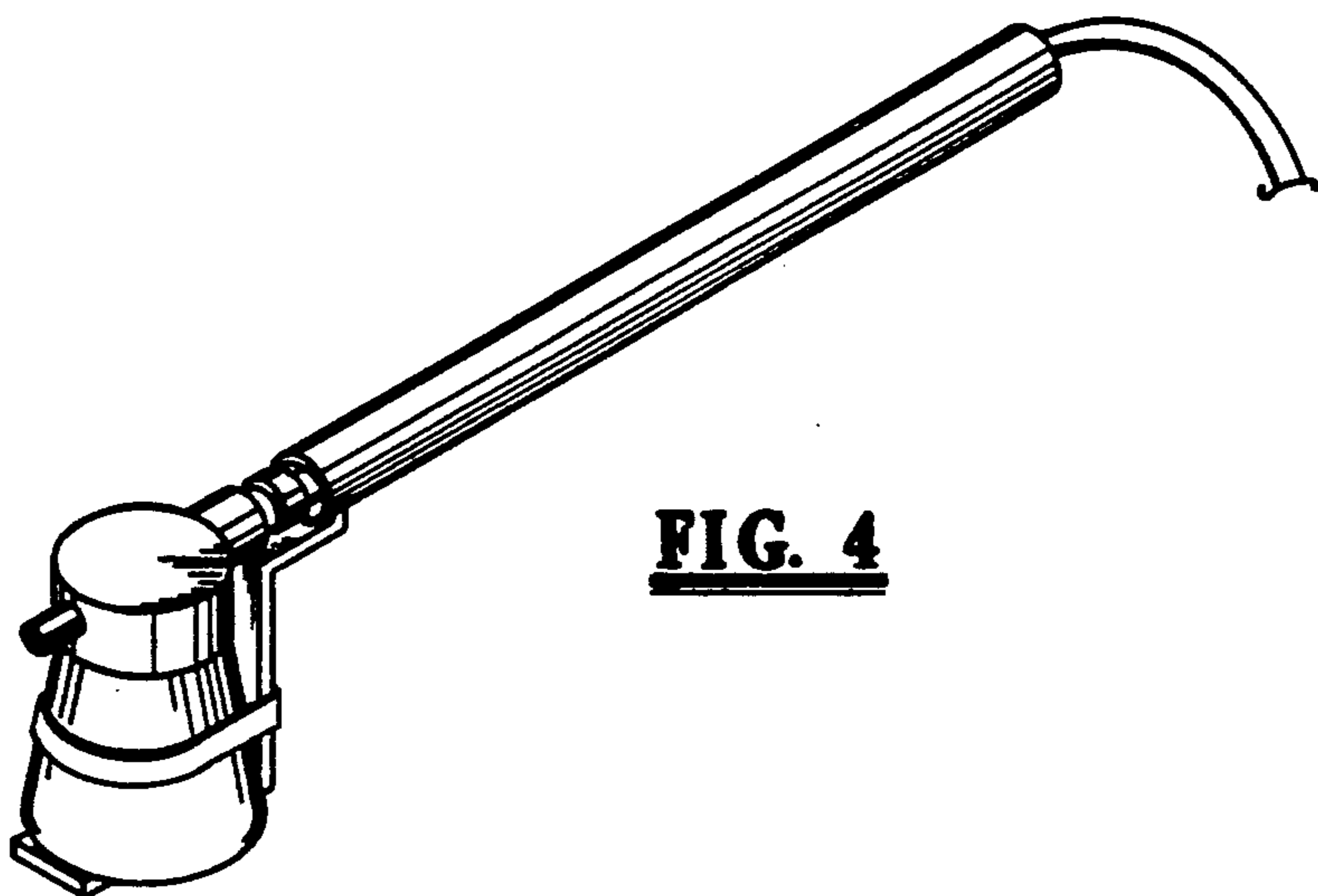


FIG. 4

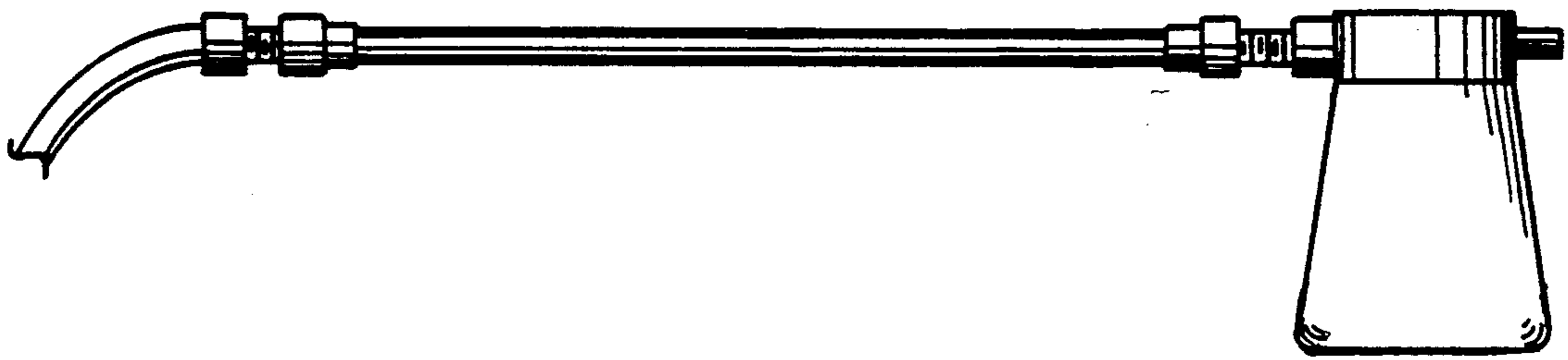


FIG. 5

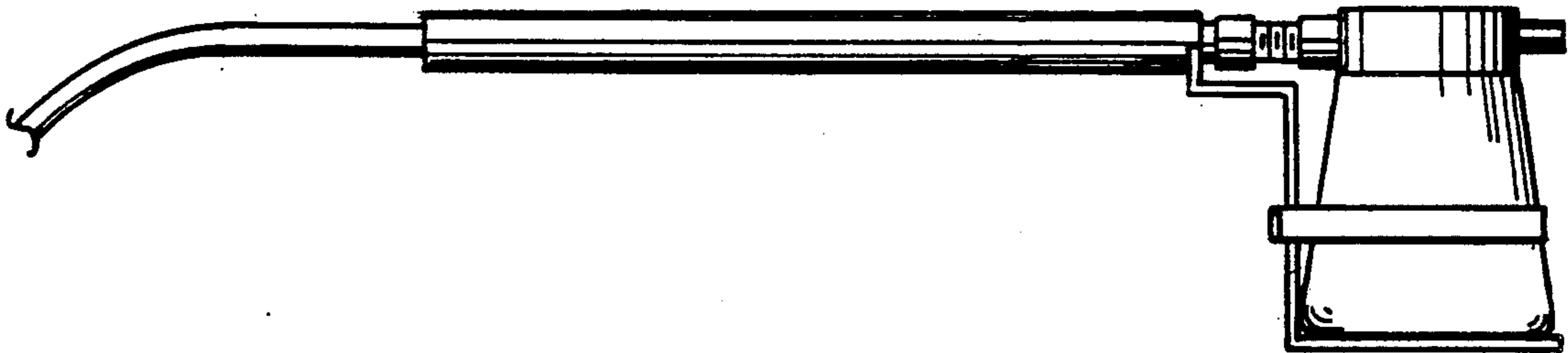


FIG. 6