



US00D324552S

United States Patent [19]

[11] Patent Number: **Des. 324,552**

Morrison

[45] Date of Patent: **** Mar. 10, 1992**

- [54] TOY CROSSBOW
- [75] Inventor: **David E. Morrison**, Palm Harbor, Fla.
- [73] Assignee: **Saxon International, Inc.**, Tarpon Springs, Fla.
- [**] Term: **14 Years**
- [21] Appl. No.: **316,169**
- [22] Filed: **Feb. 27, 1989**
- [52] U.S. Cl. **D21/146**
- [58] Field of Search **D21/145, 146, 147; D22/102; 446/473**

- 2,278,535 4/1942 Dobson D21/145
- 2,500,509 3/1950 Bailey D21/145
- 4,894,940 1/1990 Frain et al. D22/102

Primary Examiner—Charles A. Rademaker
Attorney, Agent, or Firm—Basile and Hanlon

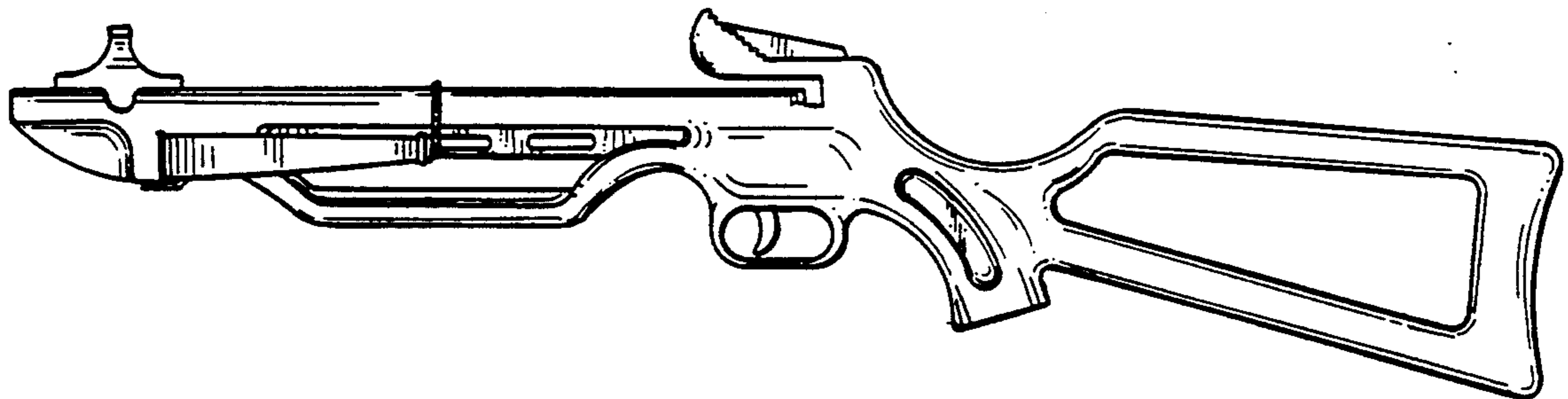
[57] **CLAIM**

The ornamental design for a toy crossbow, as shown and described.

DESCRIPTION

FIG. 1 is a front elevational view of a toy crossbow showing my new design;
FIG. 2 is a rear elevational view thereof;
FIG. 3 is a right side elevational view thereof, the side opposite being a mirror image;
FIG. 4 is a top plan view thereof; and
FIG. 5 is a bottom view thereof.

- [56] **References Cited**
- U.S. PATENT DOCUMENTS**
- D. 297,855 9/1988 Ruger D22/103



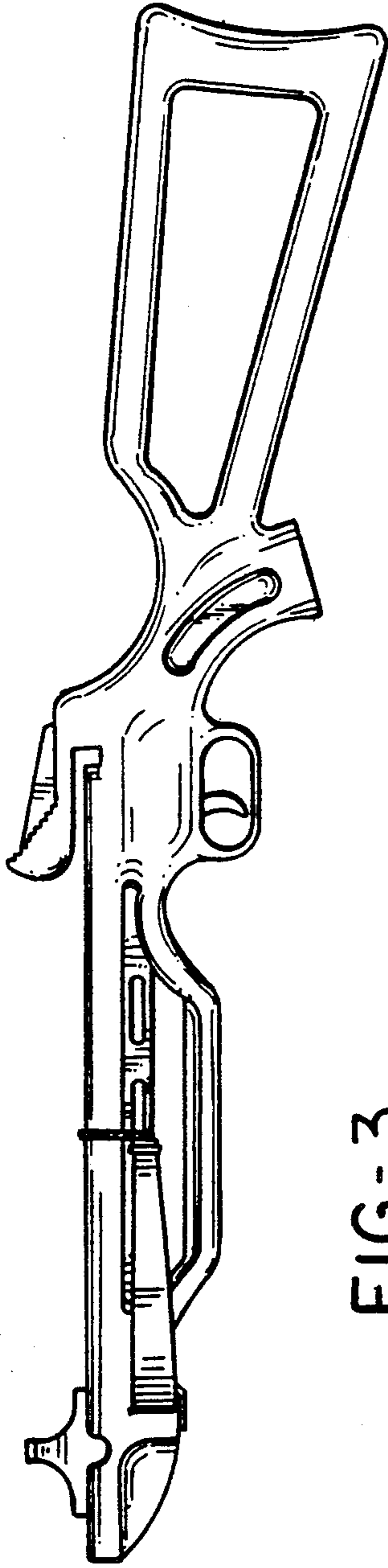


FIG-3

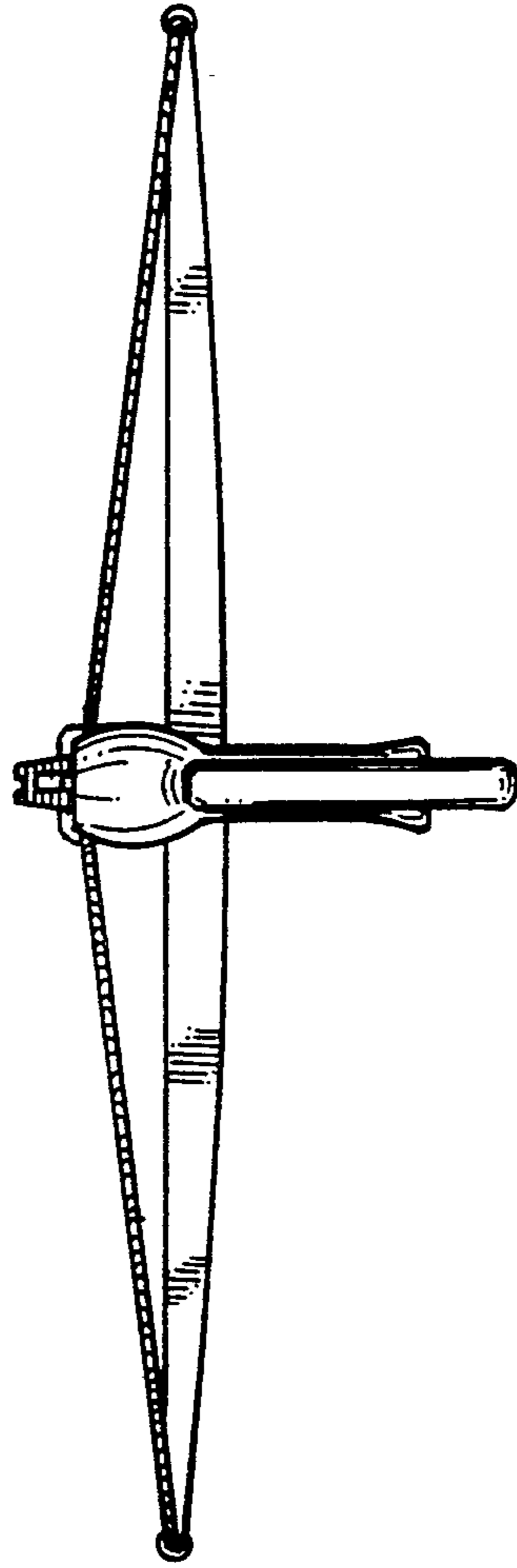


FIG-2

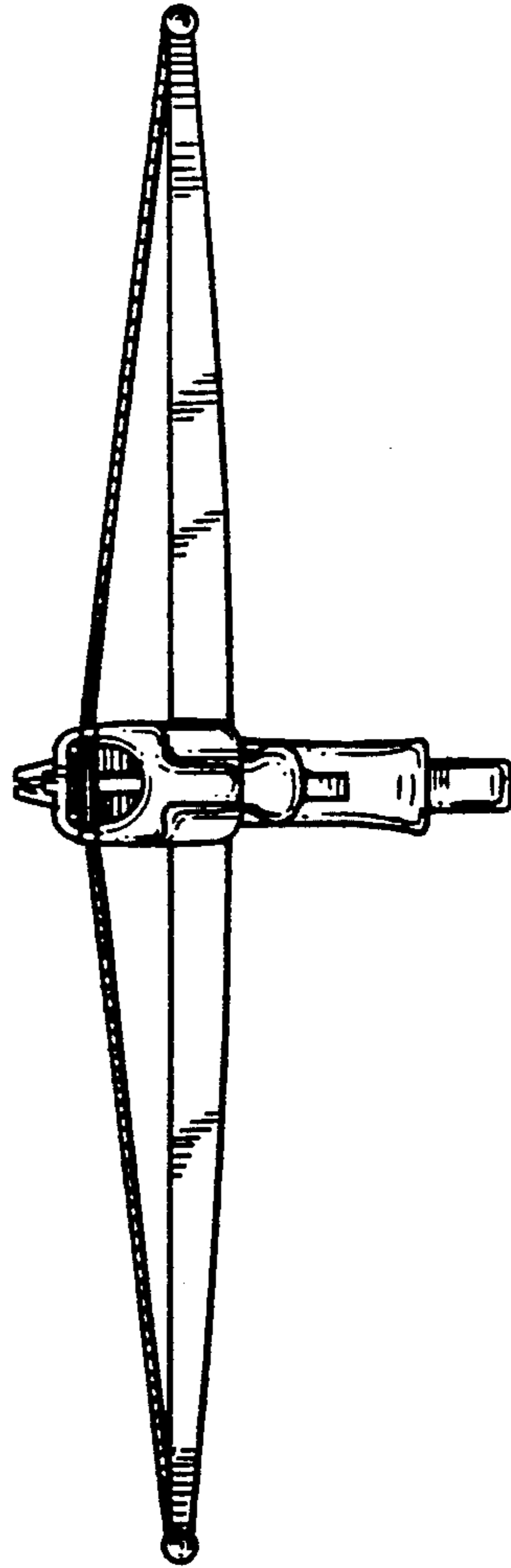


FIG-1

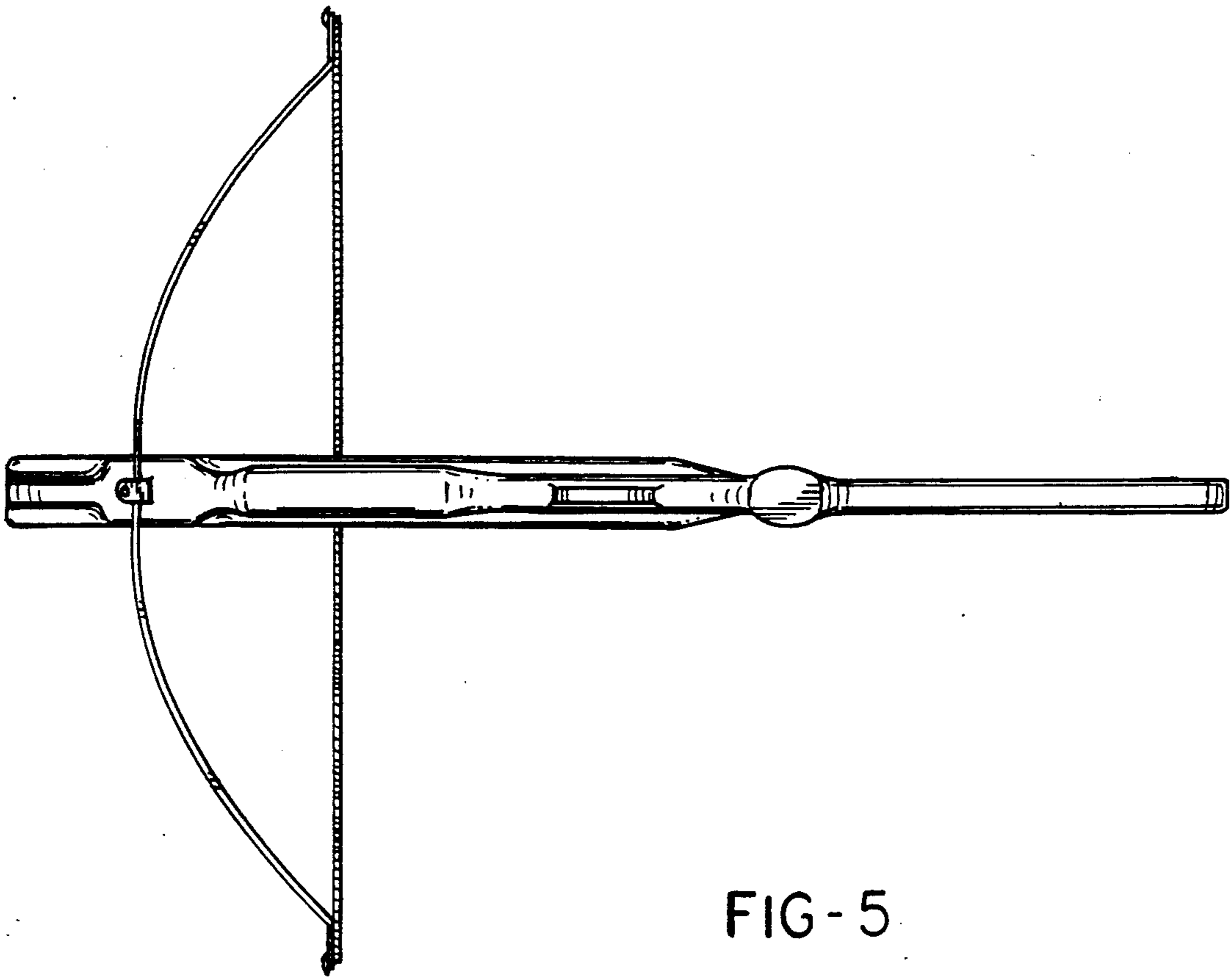


FIG-5

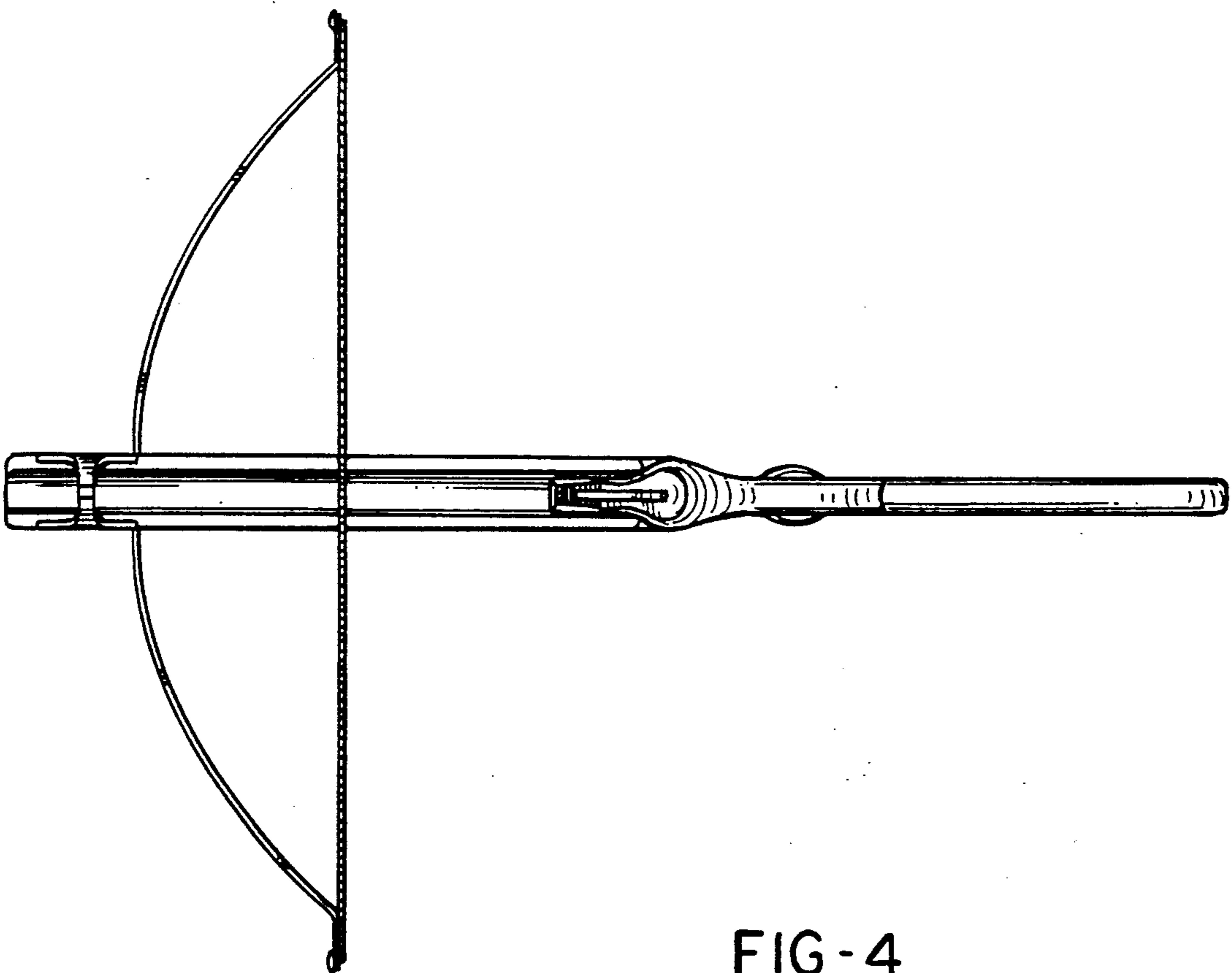


FIG-4



US008324552A

REEXAMINATION CERTIFICATE (2189th)

United States Patent [19]

[11] B1 Des. 324,552

Morrison

[45] Certificate Issued Jan. 18, 1994

[54] TOY CROSSBOW

[75] Inventor: David E. Morrison, Palm Harbor, Fla.

[73] Assignee: Saxon Arms, Inc., Tarpon Springs, Fla.

Reexamination Request:
No. 90/002,847, Sep. 29, 1992

Reexamination Certificate for:
Patent No.: Des. 324,552
Issued: Mar. 10, 1992
Appl. No.: 316,169
Filed: Feb. 27, 1989

[52] U.S. Cl. D21/146

[56] References Cited

U.S. PATENT DOCUMENTS

5,062,406 11/1991 Robertson 125/25

OTHER PUBLICATIONS

Discount Warehouse Catalog, Wellsville, Pa., Summer Edition 1986 p. 73.
"Bandit Kiddy Crossbow with Dart" and Wildcat II Crossbow.

Advertising sheet for the Bandit by Barnett International, Inc.

Barnett Catalog titled The Peak of Adventure.

Service Merchandise flyer.

Saxon Arms Confidential Export Price List.

Rocky Mountain News of Denver Colorado advertising sheet for Dave Cook Holiday Sports Sale.

Ellett Brothers Sales Bulletin of May 11 through Jun. 5, 1987.

Dunham's Discount Gift Giving Guide 86-P-089.

Buckeye Catalogue 68H of Sep. '86, Buckeye Catalogue

86-5 of Dec. '86, Buckeye Sports flyer 86-6 of Dec. '86

and Buckeye Sports flyer 87-1 of Jan. 5, 1987.

Service Merchandise flyer 337.

Primary Examiner—Bernard Ansher

[57] CLAIM

The ornamental design for a toy crossbow, as shown and described.

DESCRIPTION

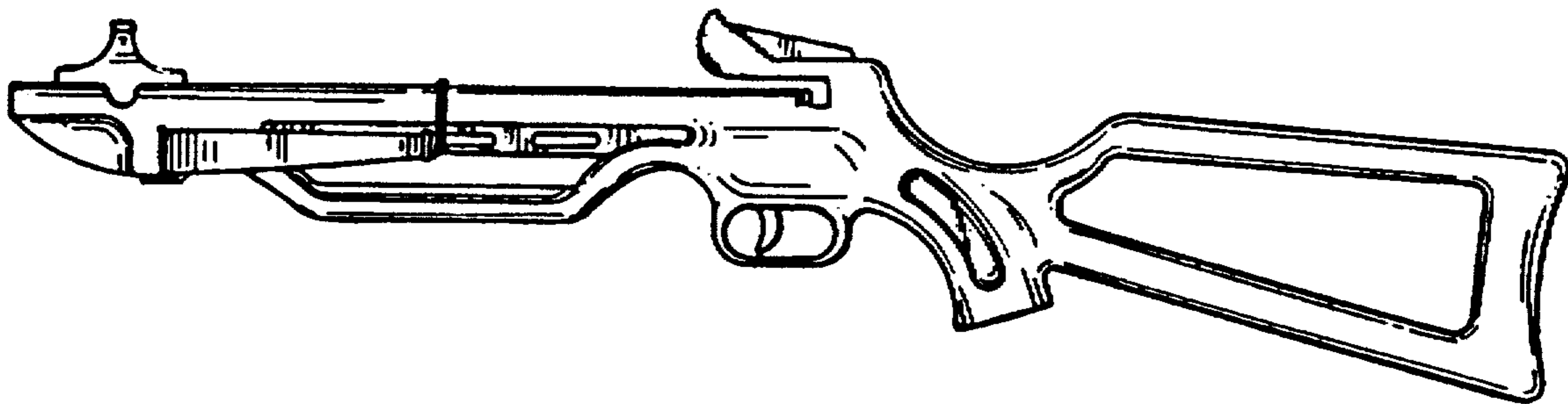
FIG. 1 is a front elevational view of a toy crossbow showing my new design;

FIG. 2 is a rear elevational view thereof;

FIG. 3 is a right side elevational view thereof, the side opposite being a mirror image;

FIG. 4 is a top plan view thereof; and

FIG. 5 is a bottom view thereof.



**REEXAMINATION CERTIFICATE
ISSUED UNDER 35 U.S.C. 307**

**THE PATENT IS HEREBY AMENDED AS
INDICATED BELOW.**

**AS A RESULT OF REEXAMINATION, IT HAS
BEEN DETERMINED THAT:**

5 **Claim 1 is cancelled.**

* * * * *

10

15

20

25

30

35

40

45

50

55

60

65