



US00D324546S

United States Patent [19]

[11] Patent Number: **Des. 324,546**

Casolin

[45] Date of Patent: **** Mar. 10, 1992**

[54] **COMBINED HOLDER FOR NOTE-PAPER AND DESK CADDIE**

[76] Inventor: **Emilio Casolin, Via XXV Luglio, 7 Torrebelticino (Vicenza), Italy**

[**] Term: **14 Years**

[21] Appl. No.: **352,946**

[22] Filed: **May 17, 1989**

[30] **Foreign Application Priority Data**

Nov. 17, 1988 [IT] Italy 64341/88[U]

[52] U.S. Cl. **D19/78; D9/341; D19/75; D19/85; D19/92**

[58] Field of Search **D9/428, 341; D19/75, D19/78, 85, 86, 92; D3/74; 206/214, 371; 211/10, 11, 45, 50, 55, 69.1-69.9, 126**

[56] **References Cited**

U.S. PATENT DOCUMENTS

D. 101,710 10/1936 Patterson D19/75

D. 196,890	11/1963	Gainer	D19/78
D. 254,859	4/1980	Grunstad	D19/75
D. 267,959	2/1983	Cheung	D19/78
D. 272,917	3/1984	Micucci	D19/78
D. 282,233	1/1986	Kelley	D19/75 X
D. 307,036	4/1990	Evenson	D19/92

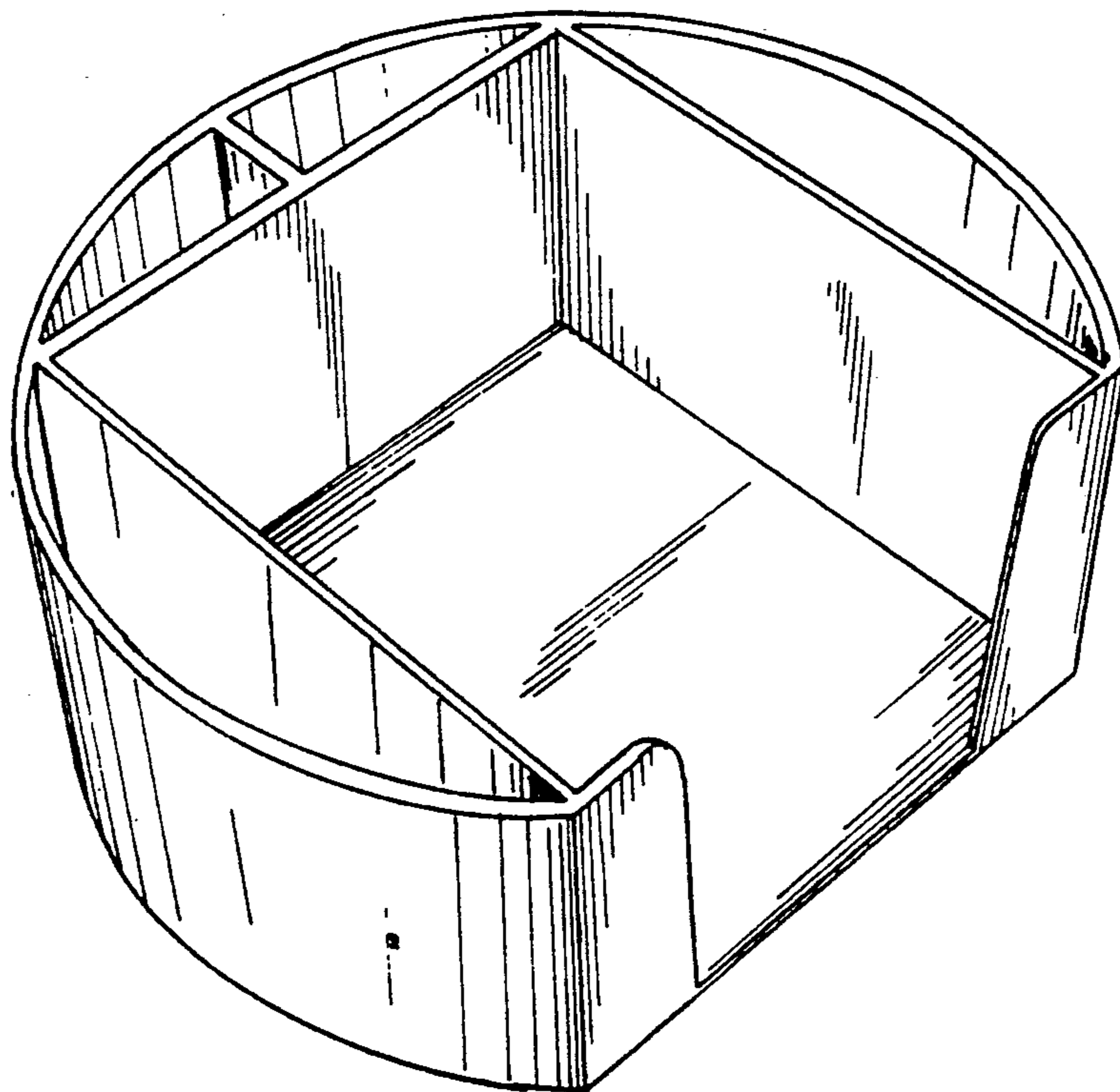
Primary Examiner—Melvin B. Feifer
Assistant Examiner—Dominic Simone
Attorney, Agent, or Firm—Birch, Stewart, Kolasch & Birch

[57] **CLAIM**

The ornamental design for a combined holder for notepaper and desk caddie, as shown and described.

DESCRIPTION

FIG. 1 is a top perspective view of a combined holder for notepaper and desk caddie showing my new design; FIG. 2 is a front cross-sectional view thereof, taken in the direction of the arrows along line 2—2 of FIG. 3; FIG. 3 is a top plan view thereof; and FIG. 4 is a side cross-sectional view thereof, taken in the direction of the arrows along line 4—4 of FIG. 3.



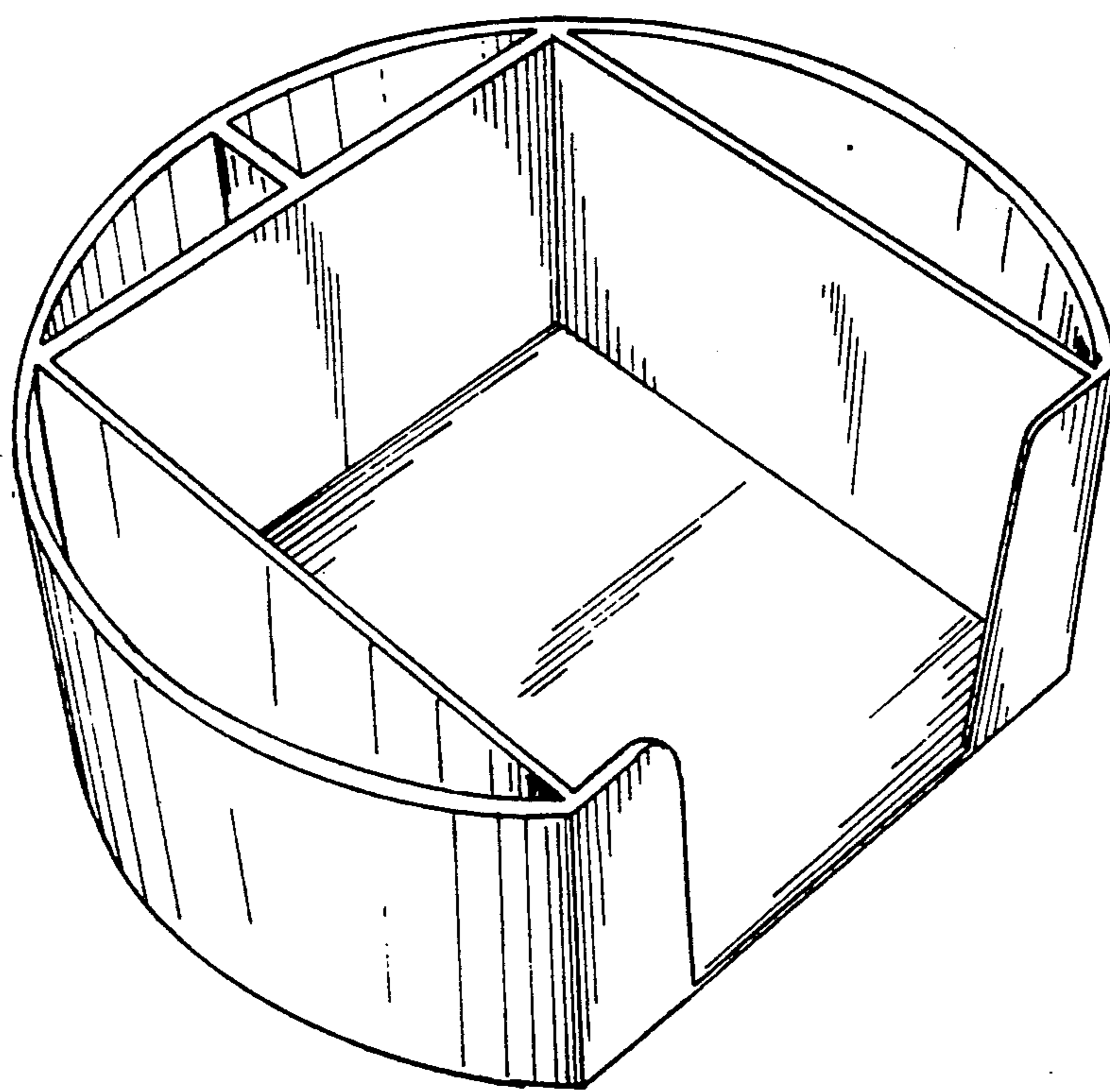


FIG. 1

FIG. 3

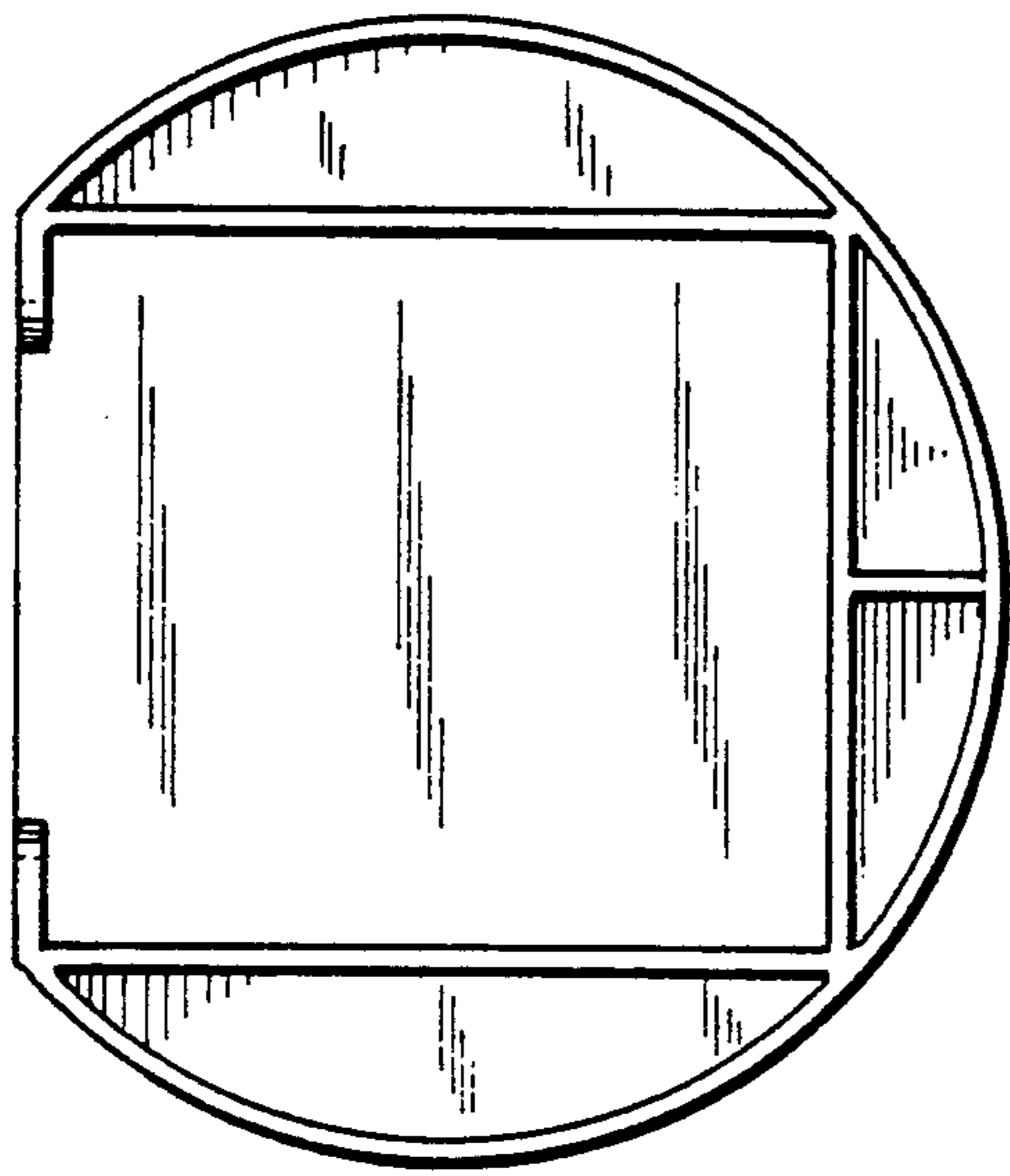


FIG. 2

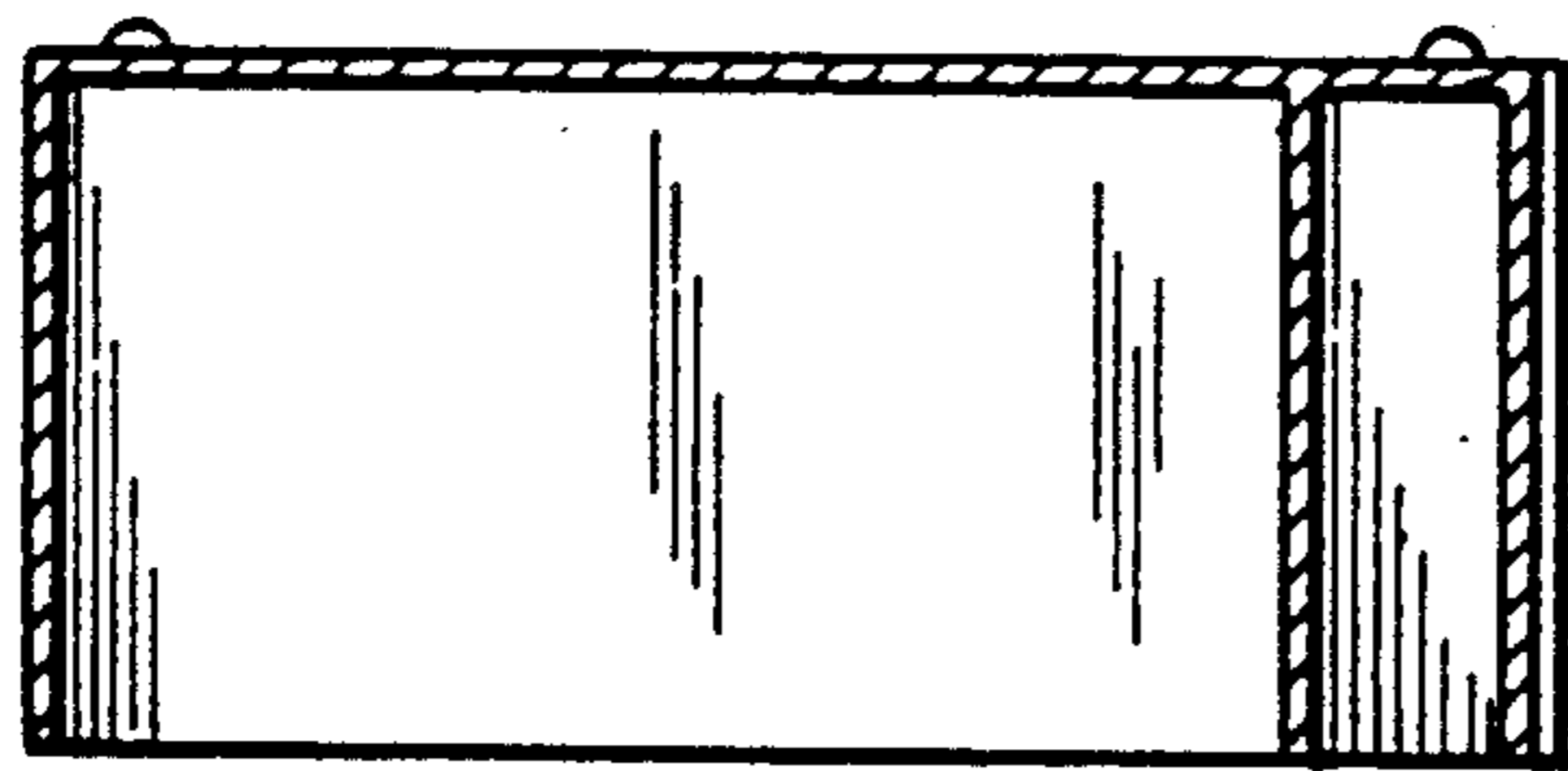
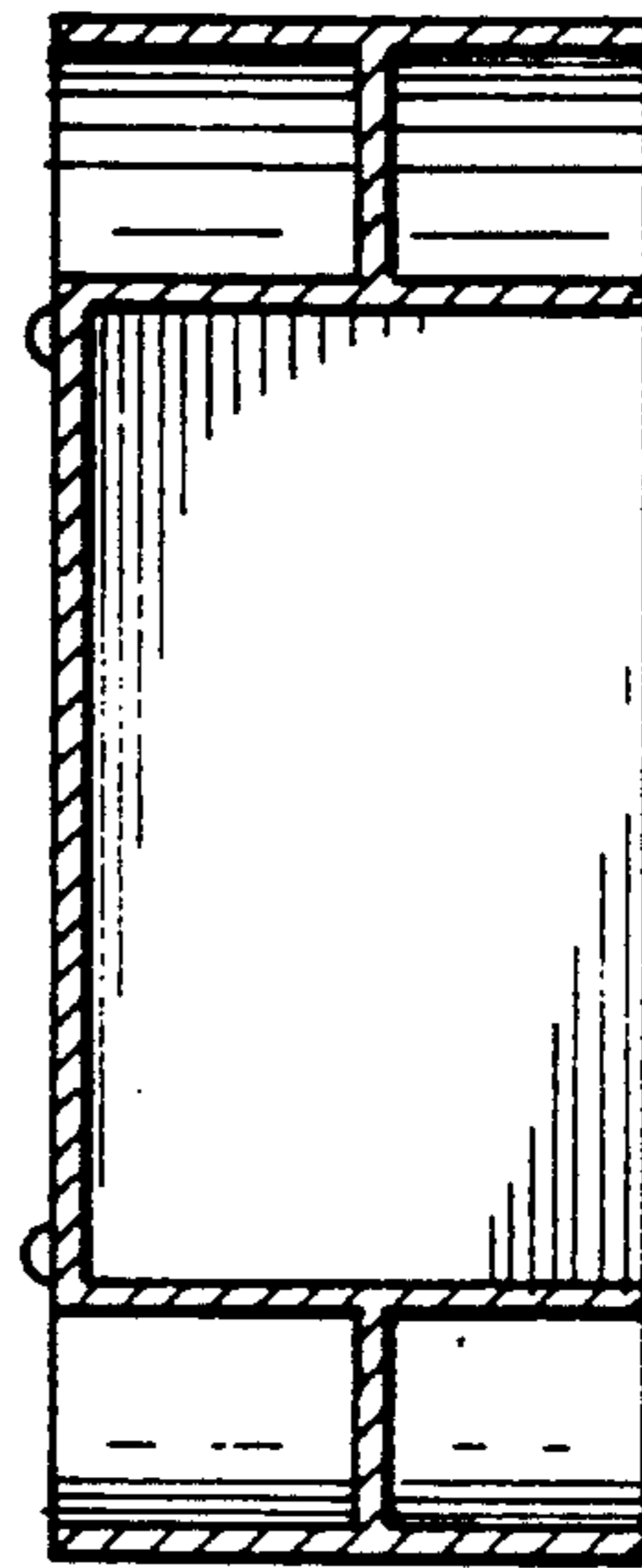


FIG. 4