



US00D324541S

United States Patent [19]

[11] Patent Number: **Des. 324,541**

Dudley

[45] Date of Patent: **** Mar. 10, 1992**

[54] **PORTABLE PAINT BRUSH HOLDER**

[76] Inventor: **Steven D. Dudley**, 260 E. Butterfield Rd., Elmhurst, Ill. 60126

[**] Term: **14 Years**

[21] Appl. No.: **325,495**

[22] Filed: **Mar. 20, 1989**

[52] U.S. Cl. **D19/35; D19/65; D19/85; D3/30.1**

[58] Field of Search **D6/512; D19/35, 36, D19/54, 65, 81, 84, 85; D3/30.1; 211/65, 42, 69.1-69.9, 124; 220/90; 206/209; 248/210, 110**

[56] **References Cited**

U.S. PATENT DOCUMENTS

D. 25,926	8/1896	Elliston	D19/54
D. 218,771	9/1970	Harris	D6/512
253,630	2/1882	Rittmeyer	211/65
D. 256,963	9/1980	Harrington	D19/85 X
D. 300,283	3/1989	Duckro, Jr. et al.	D3/30.1 X
D. 301,422	6/1989	Schmidt	D6/512
D. 304,512	11/1989	Byers et al.	D19/35 X
369,911	9/1887	Brennan	206/209
2,466,840	4/1949	Crawford	248/210

2,521,049	9/1950	Divis	248/110
2,560,228	4/1951	Kosorok	220/90
2,744,635	5/1965	Hiss	211/65
2,923,415	2/1960	Brown	211/65
3,318,453	5/1967	Cavanagh	211/42 X
3,946,878	3/1976	Stoveken et al.	211/124
4,884,701	12/1989	Nymark et al.	211/69.8
4,936,469	6/1990	Drower	211/69.8

Primary Examiner—Bruce W. Dunkins
Assistant Examiner—Martha Thompson
Attorney, Agent, or Firm—McAndrews, Held & Malloy, Ltd.

[57] **CLAIM**

The ornamental design for a portable paint brush holder, as shown and described.

DESCRIPTION

FIG. 1 is a top perspective view of a portable paint brush holder showing my new design;
FIG. 2 is a top plan view;
FIG. 3 is an end elevational view, the opposite end being a mirror image thereof;
FIG. 4 is a side elevational view, the opposite side being identical thereto; and
FIG. 5 is a bottom plan view thereof.

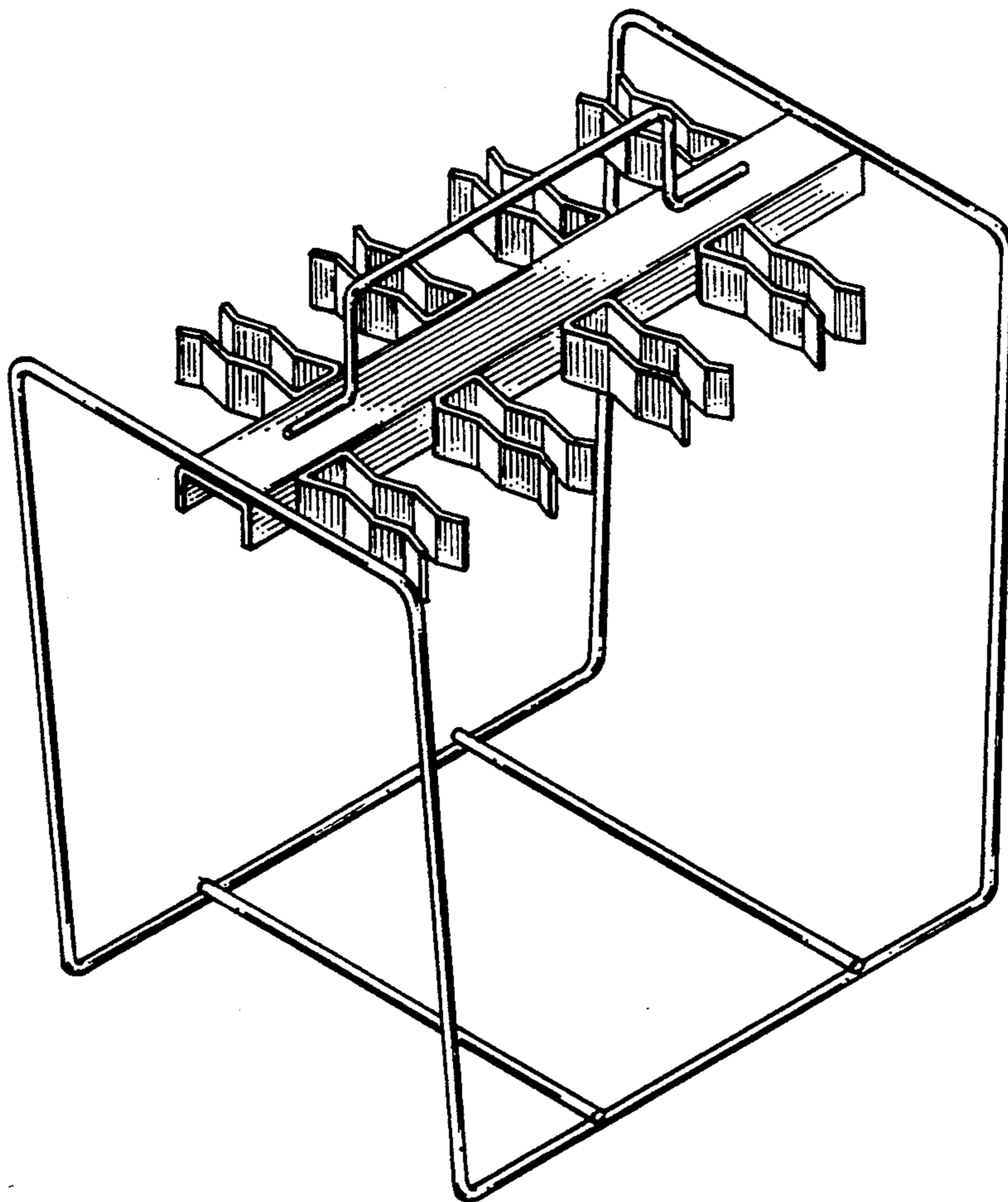


Fig. 1

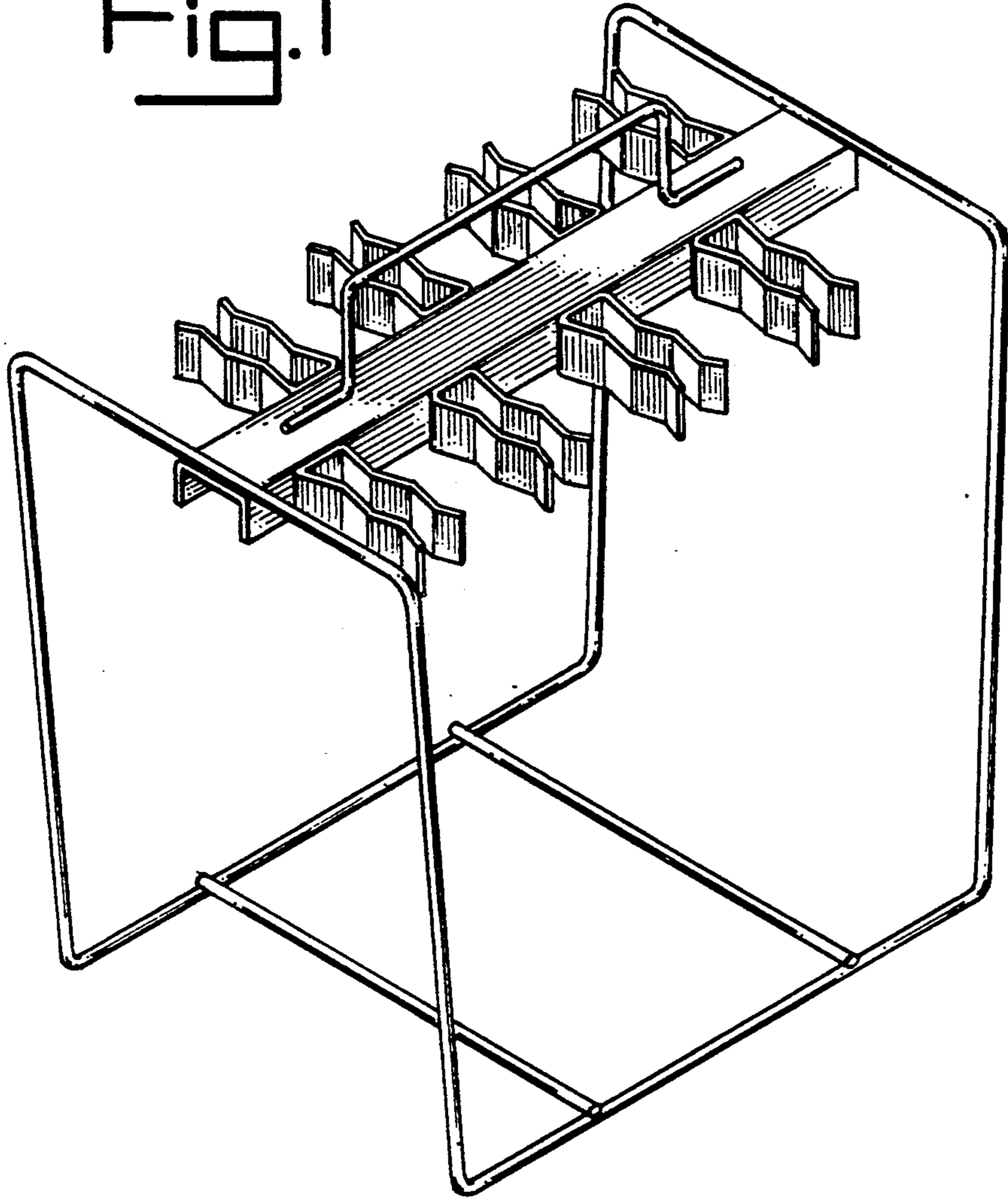


Fig. 2

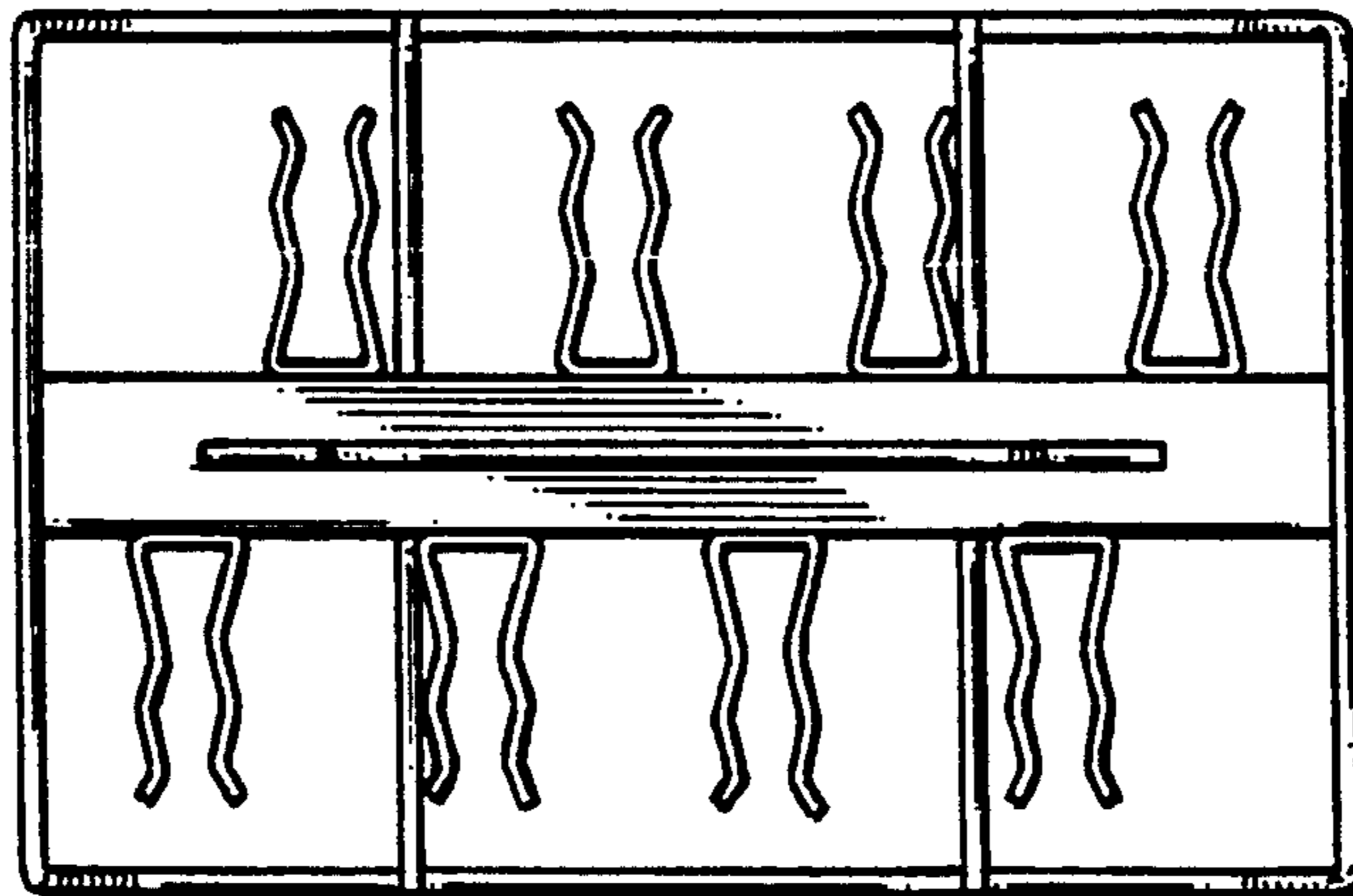


Fig. 3

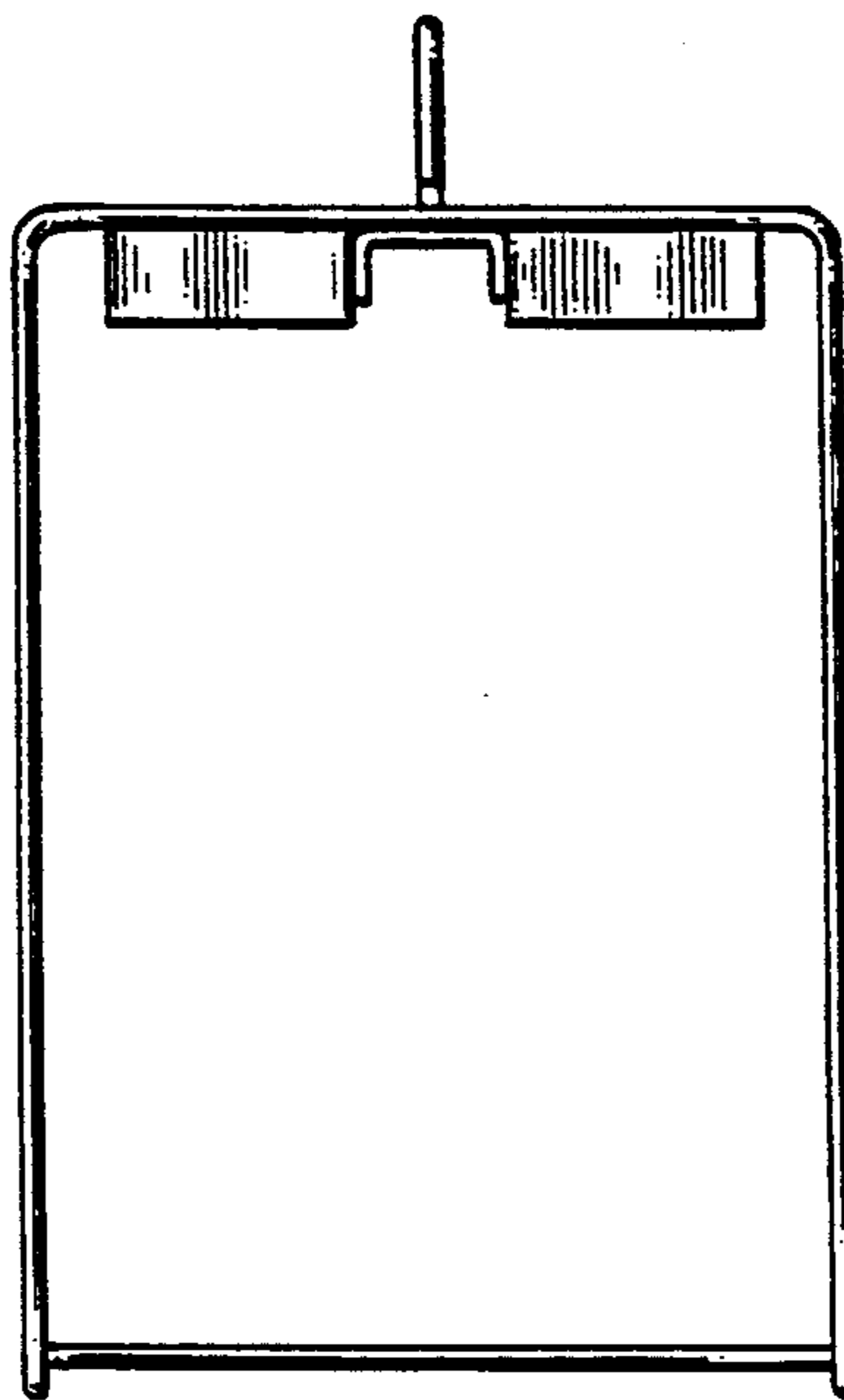


Fig. 4

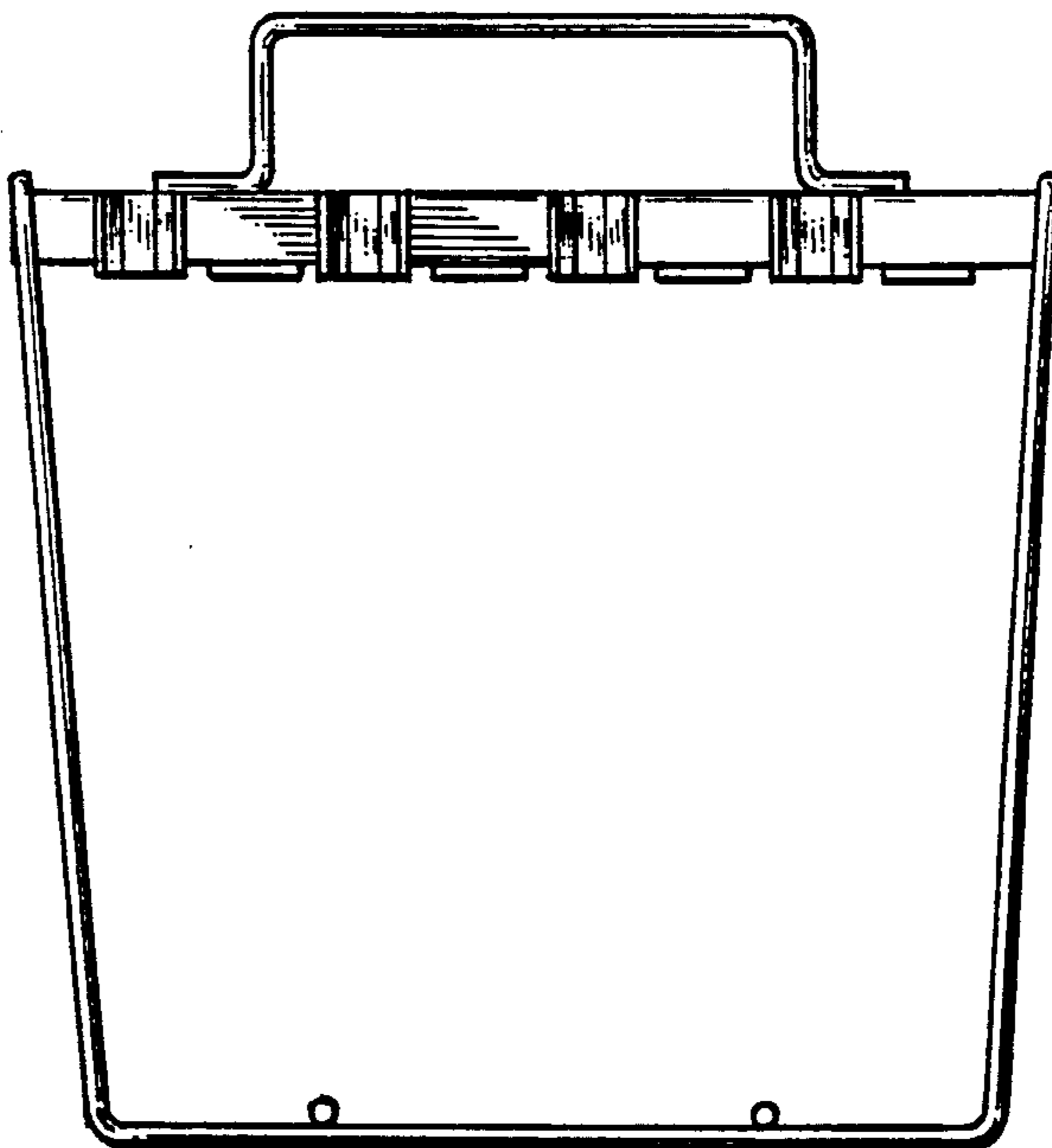


Fig. 5

