



US00D324540S

United States Patent [19]

[11] Patent Number: Des. 324,540

Tanizawa et al.

[45] Date of Patent: ** Mar. 10, 1992

[54] COMPUTER PERIPHERAL EQUIPMENT
PRINTER

[56] References Cited

U.S. PATENT DOCUMENTS

[75] Inventors: Akiyoshi Tanizawa, Osaka; Eiji Tsut-
sui, Hyogo, both of Japan

D. 280,900	10/1985	Tsumura et al.	D14/111
D. 293,113	12/1987	Foy	D14/111
D. 317,937	7/1991	Uchihori et al.	D18/13
5,033,891	7/1991	Kitazume et al.	400/624

[73] Assignee: Nita Industrial Co., Ltd., Osaka, Japan

Primary Examiner—A. Hugo Word
Assistant Examiner—Cathy Anne MacCormac
Attorney, Agent, or Firm—Larry D. Johnson

[**] Term: 14 Years

[57] CLAIM

[21] Appl. No.: 400,236

The ornamental design for a computer peripheral equip-
ment printer, as shown.

[22] Filed: Aug. 28, 1989

DESCRIPTION

[30] Foreign Application Priority Data

FIG. 1 is a front, top and right side perspective view of
a computer peripheral equipment printer showing our
new design;
FIG. 2 is a front elevational view thereof;
FIG. 3 is a rear elevational view thereof;
FIG. 4 is a top plan view thereof;
FIG. 5 is a bottom plan view thereof;
FIG. 6 is a left side elevational view thereof; and
FIG. 7 is a right side elevational view thereof.

Mar. 7, 1989 [JP] Japan 1-8251

[52] U.S. Cl. D18/54

[58] Field of Search D18/13, 34; 400/613,
400/613.1-613.4, 691-694, 624; D14/111;
101/9, 18, 21, 28, 29, 41, 42, 130, 287, 316

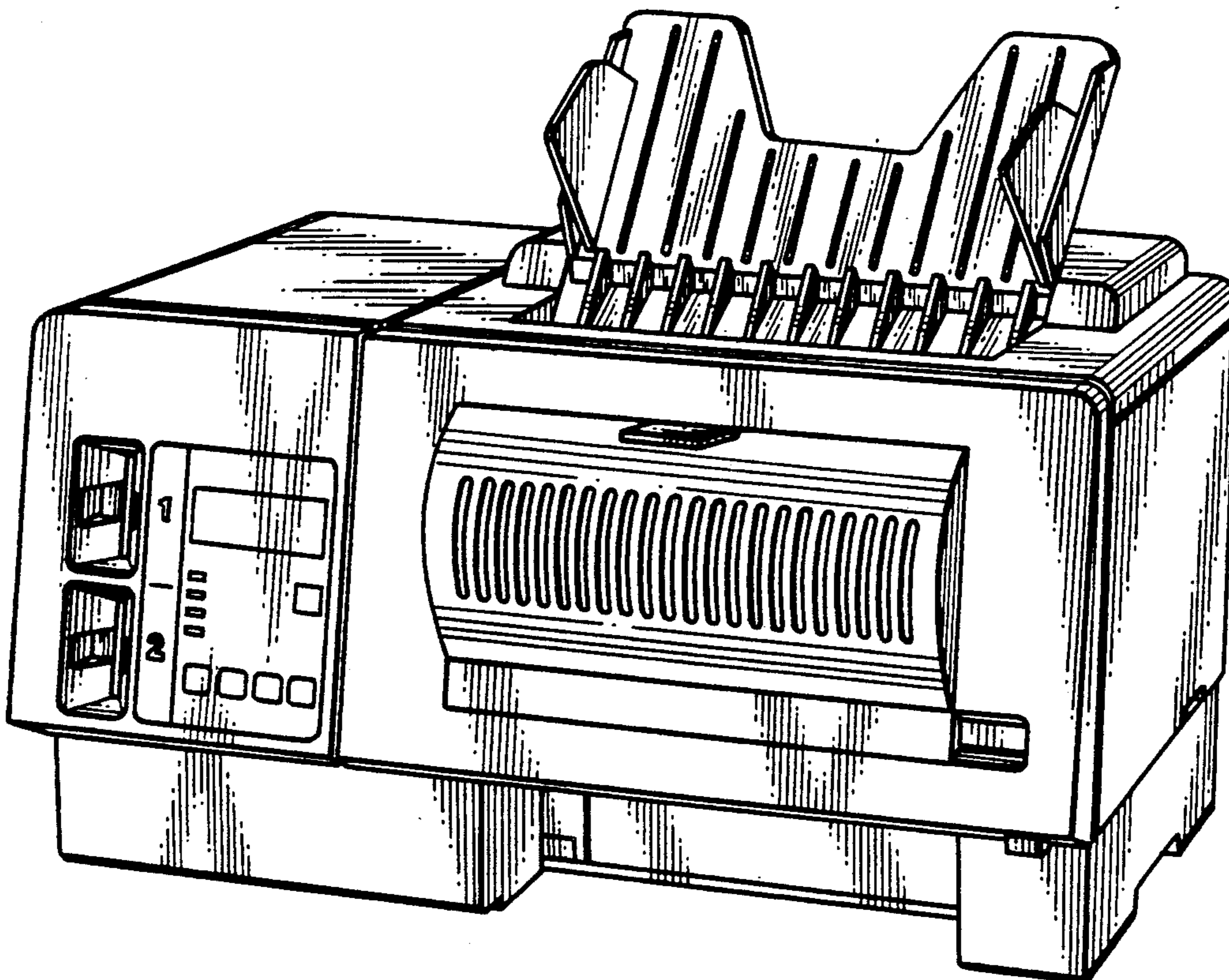


Fig. 1

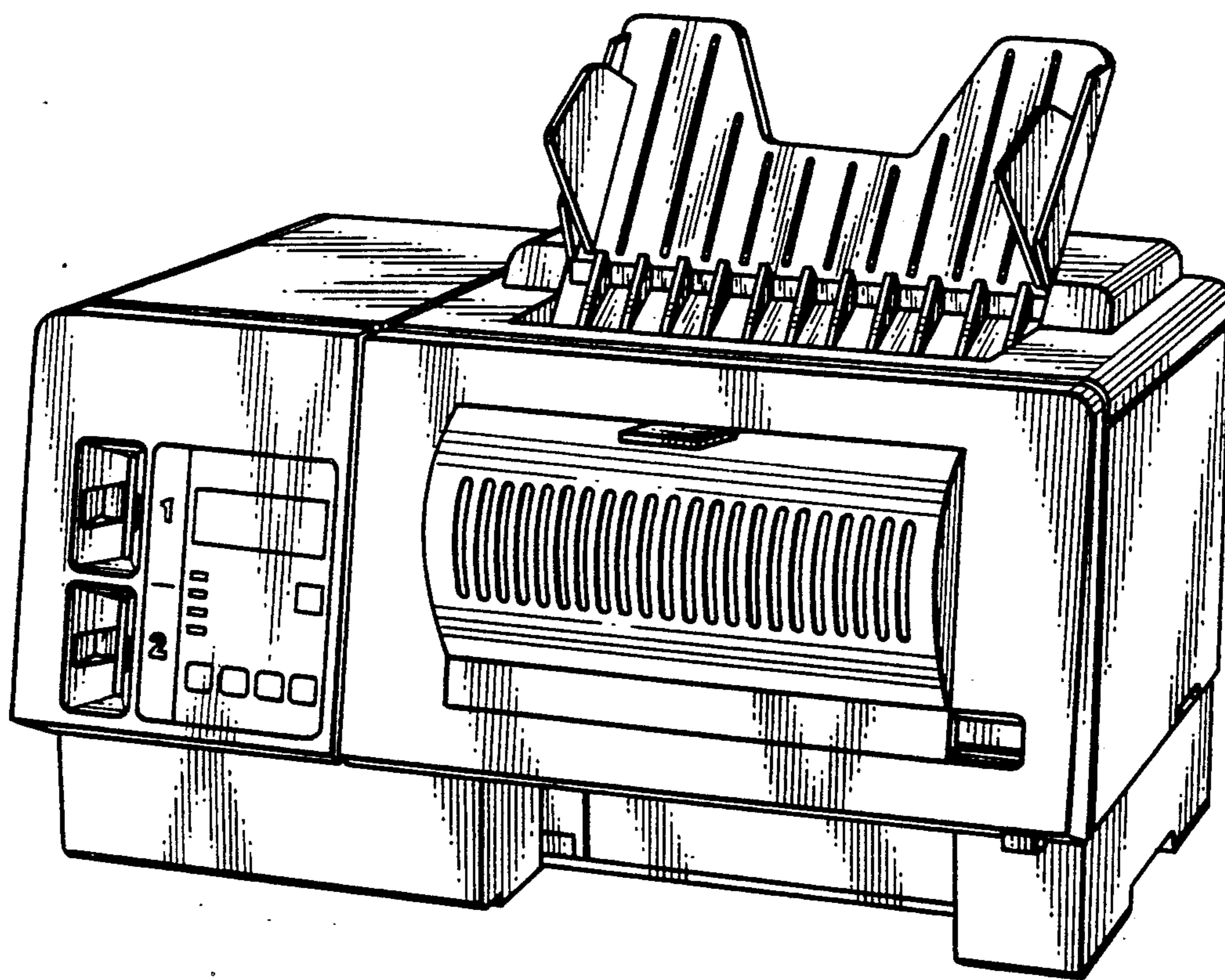


Fig. 2

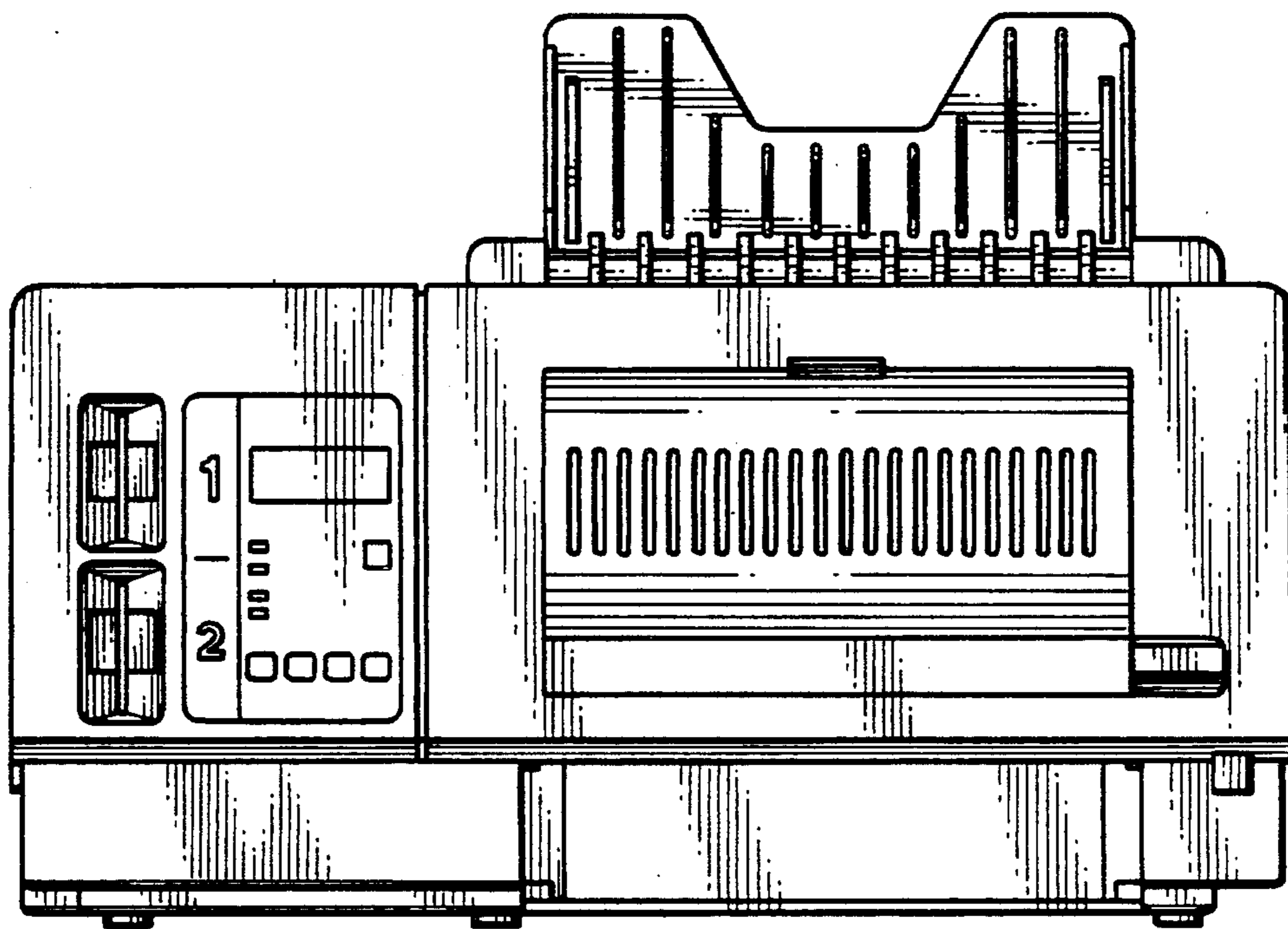


Fig. 3

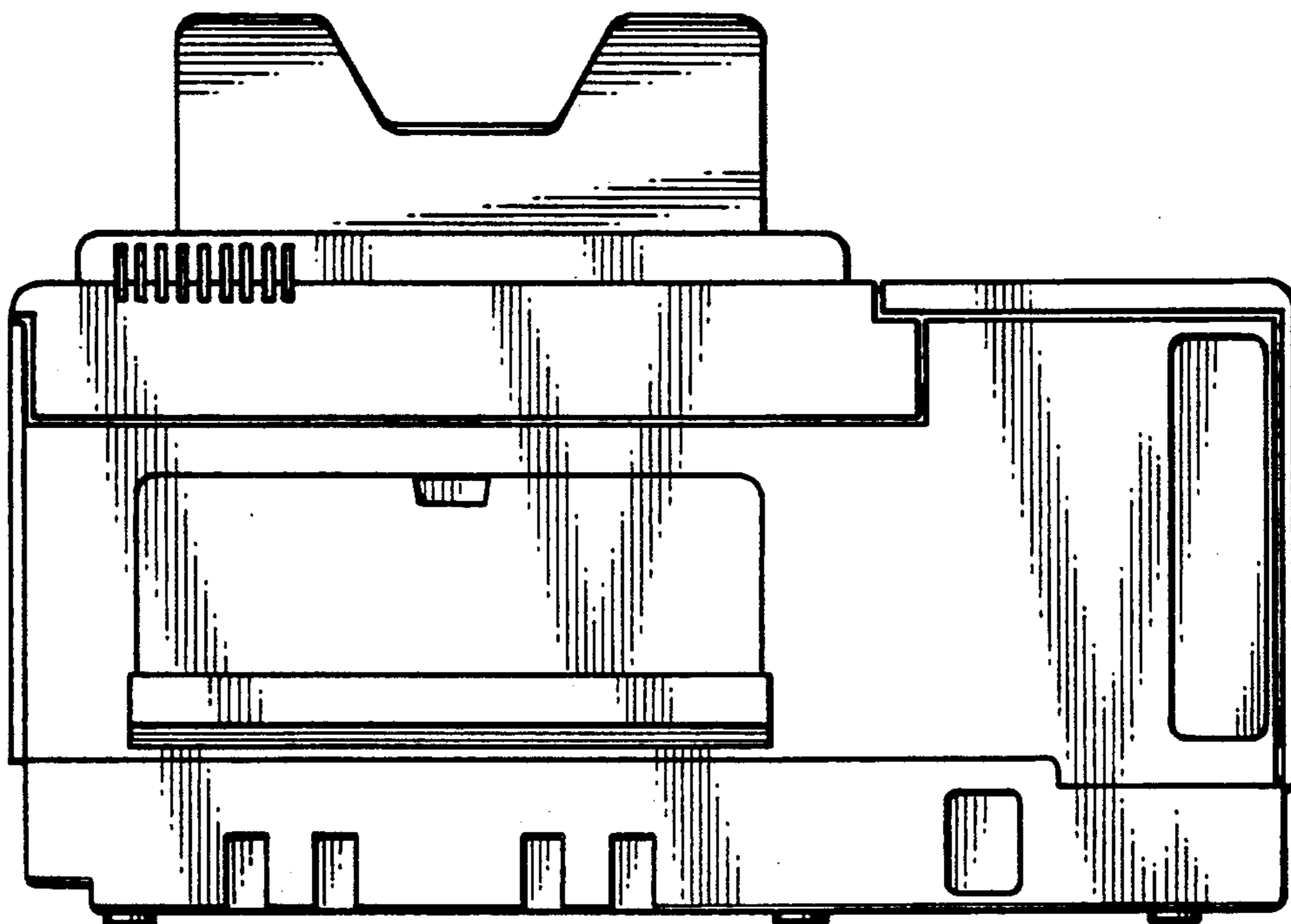


Fig. 4

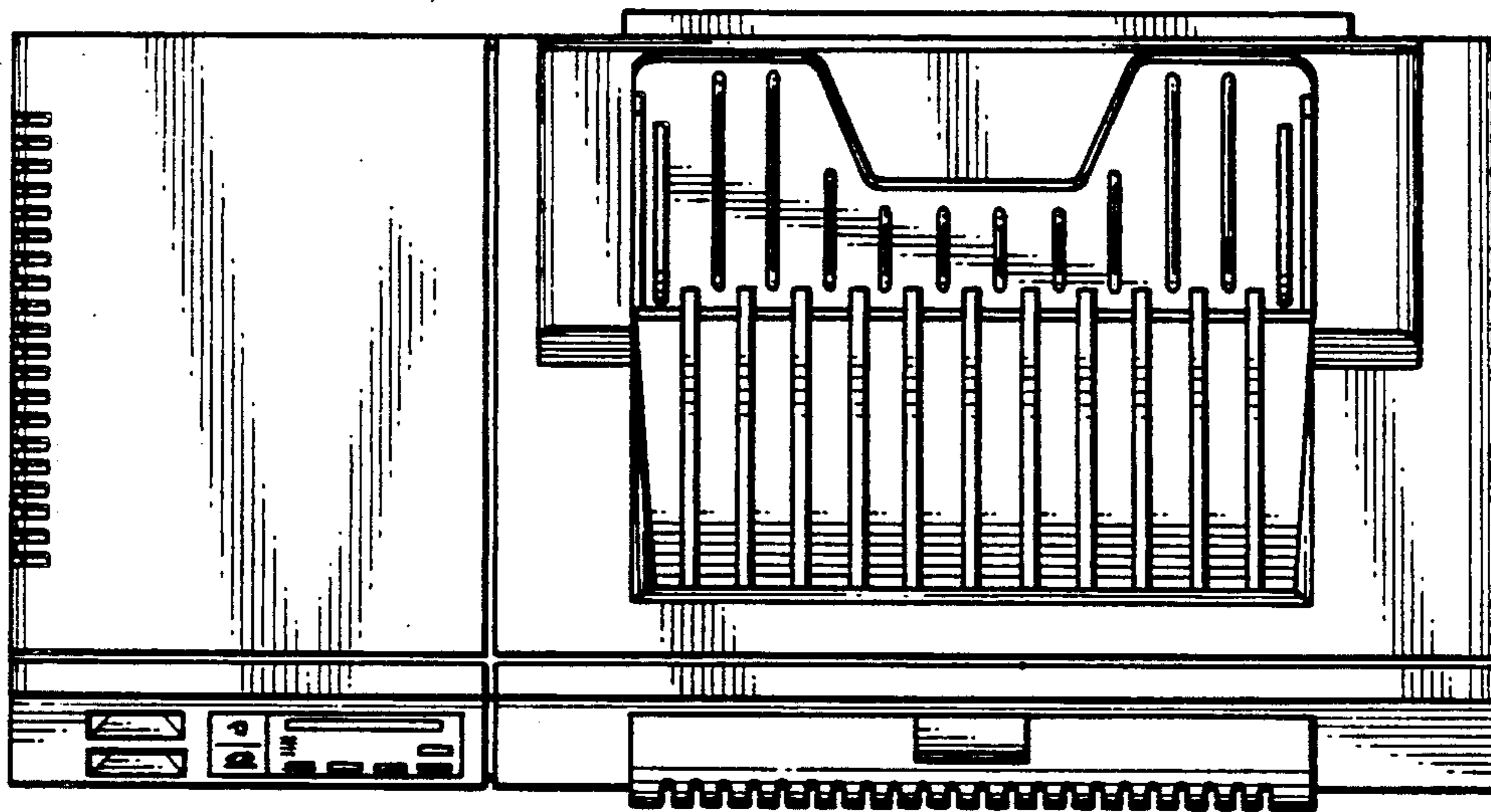


Fig. 5

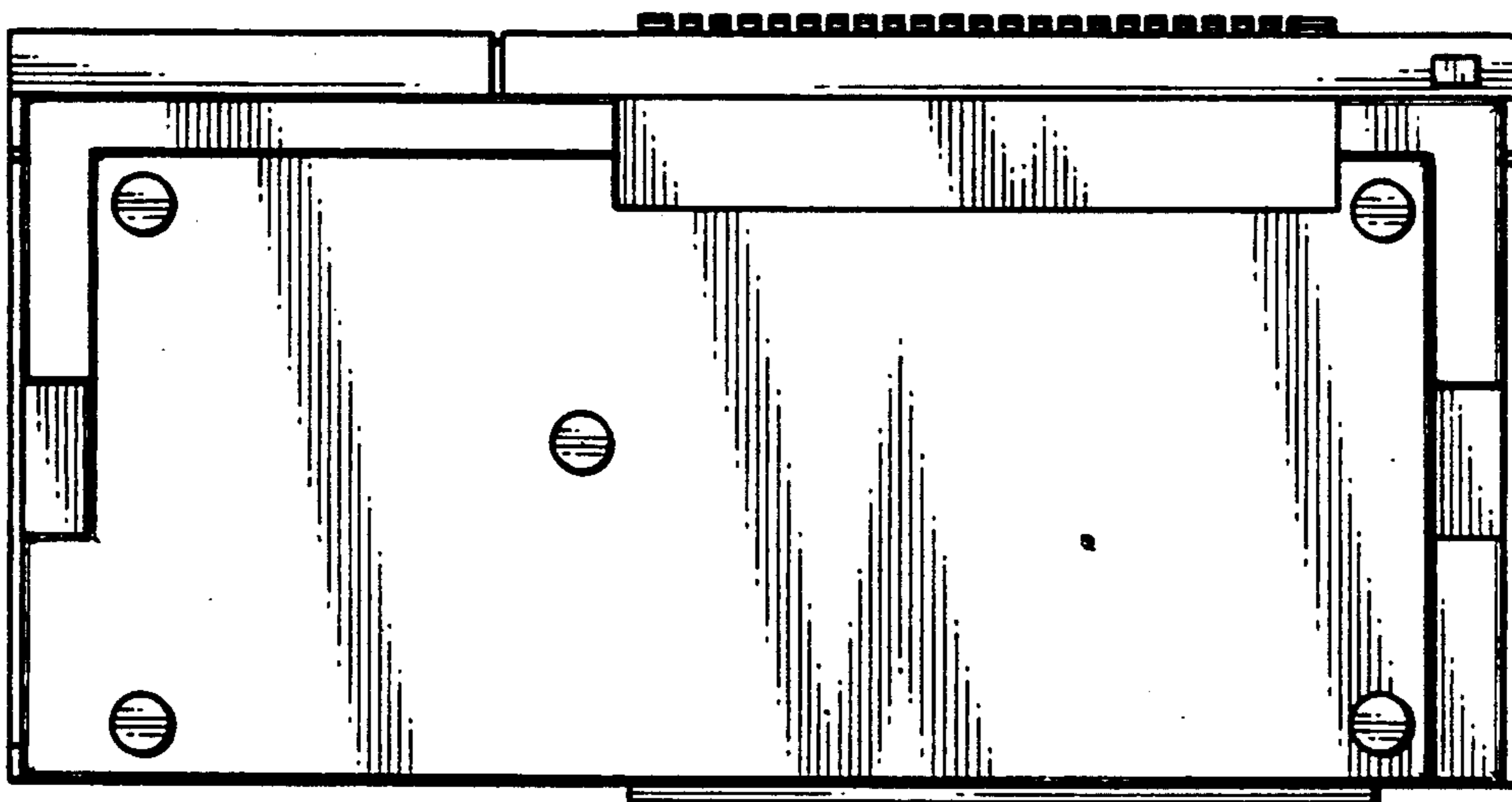


Fig. 6

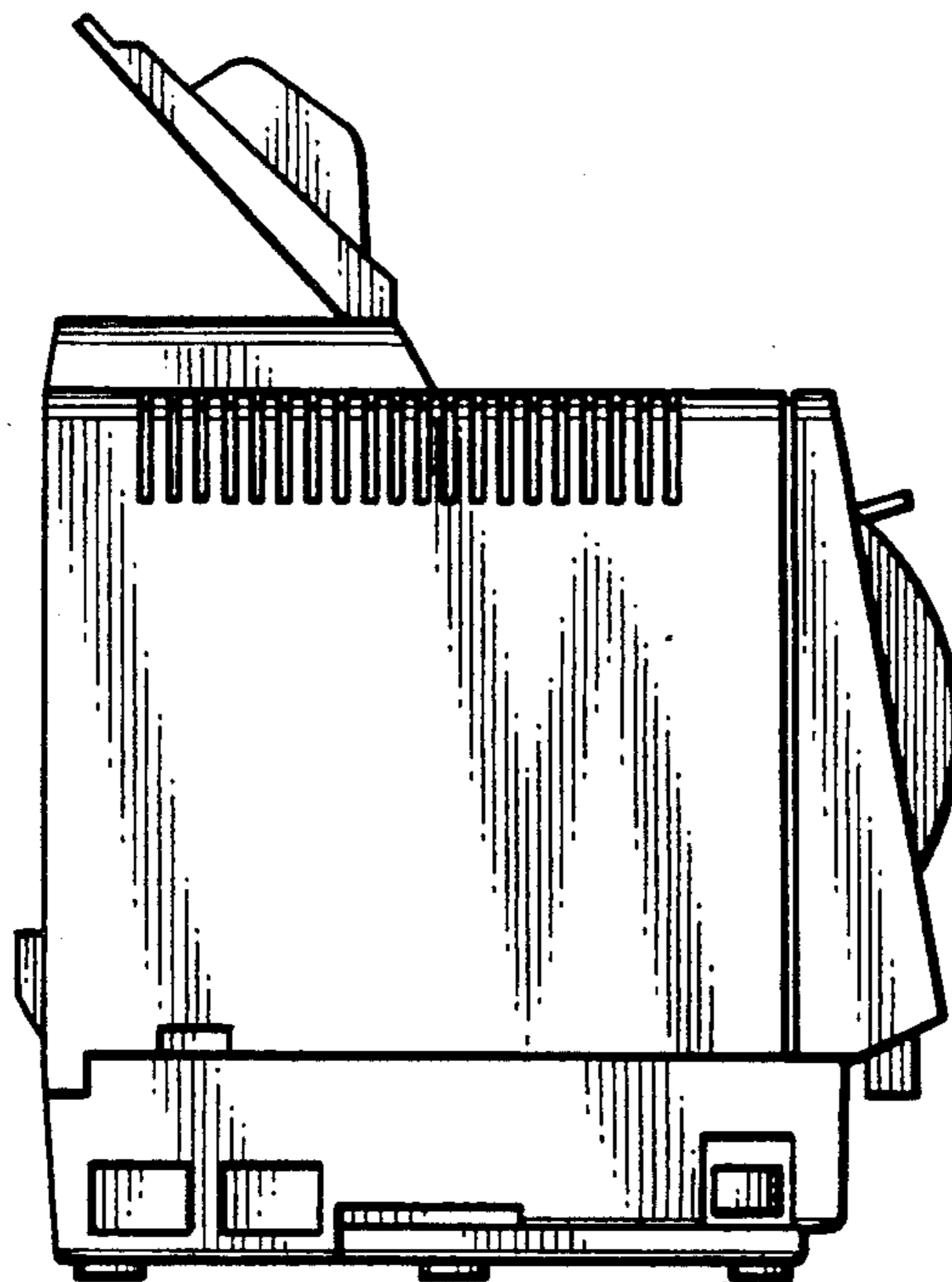


Fig. 7

