



US00D324539S

United States Patent [19]

[11] Patent Number: **Des. 324,539**

Sawa

[45] Date of Patent: **** Mar. 10, 1992**

[54] **PRINTER WITH PAPER SUPPLY**

D. 308,695 6/1990 Eto et al. D18/13

[75] Inventor: **Shuzo Sawa, Osaka, Japan**

[73] Assignee: **Sharp Corporation, Osaka, Japan**

[*] Notice: The portion of the term of this patent subsequent to Feb. 25, 2006 has been disclaimed.

[**] Term: **14 Years**

[21] Appl. No.: **370,569**

[22] Filed: **Jun. 23, 1989**

[30] **Foreign Application Priority Data**

Dec. 28, 1988 [JP] Japan 63-51365

[52] U.S. Cl. **D18/54**

[58] Field of Search **D14/111, 118; D18/13, D18/34, 36; 400/613, 613.2, 613.3, 613.4, 691-694; 364/708**

[56] **References Cited**

U.S. PATENT DOCUMENTS

D. 291,095 7/1987 Morozumi et al. D18/13

D. 293,247 12/1987 Nakade D14/111

D. 306,744 3/1990 Yomo D18/13

OTHER PUBLICATIONS

Genicom 5010; p. 5.
Canon LBP-8II Laser Beam Printer brochure; 1987; cover photo.

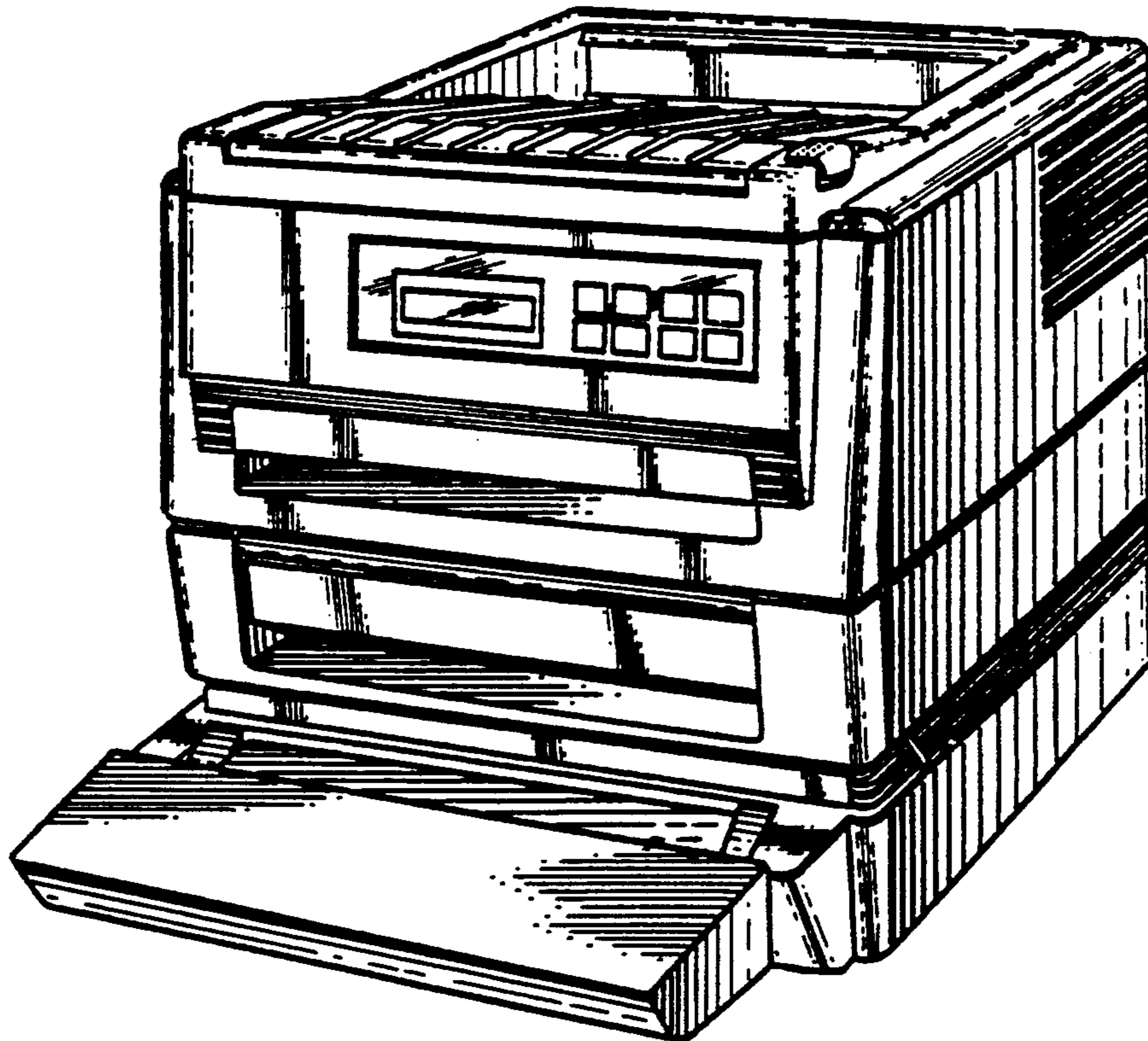
Primary Examiner—A. Hugo Word
Assistant Examiner—Cathy Anne MacCormac
Attorney, Agent, or Firm—Flehr, Hohbach, Test, Albritton & Herbert

[57] **CLAIM**

The ornamental design for a printer with paper supply, as shown and described.

DESCRIPTION

FIG. 1 is a perspective view of the printer with paper supply taken from the top, front right side showing my new design;
FIG. 2 is another perspective view thereof;
FIG. 3 is a front elevational view thereof;
FIG. 4 is a rear elevational view thereof;
FIG. 5 is a top plan view thereof;
FIG. 6 is a bottom plan view thereof;
FIG. 7 is a right side elevational view thereof; and
FIG. 8 is a left side elevational view thereof.



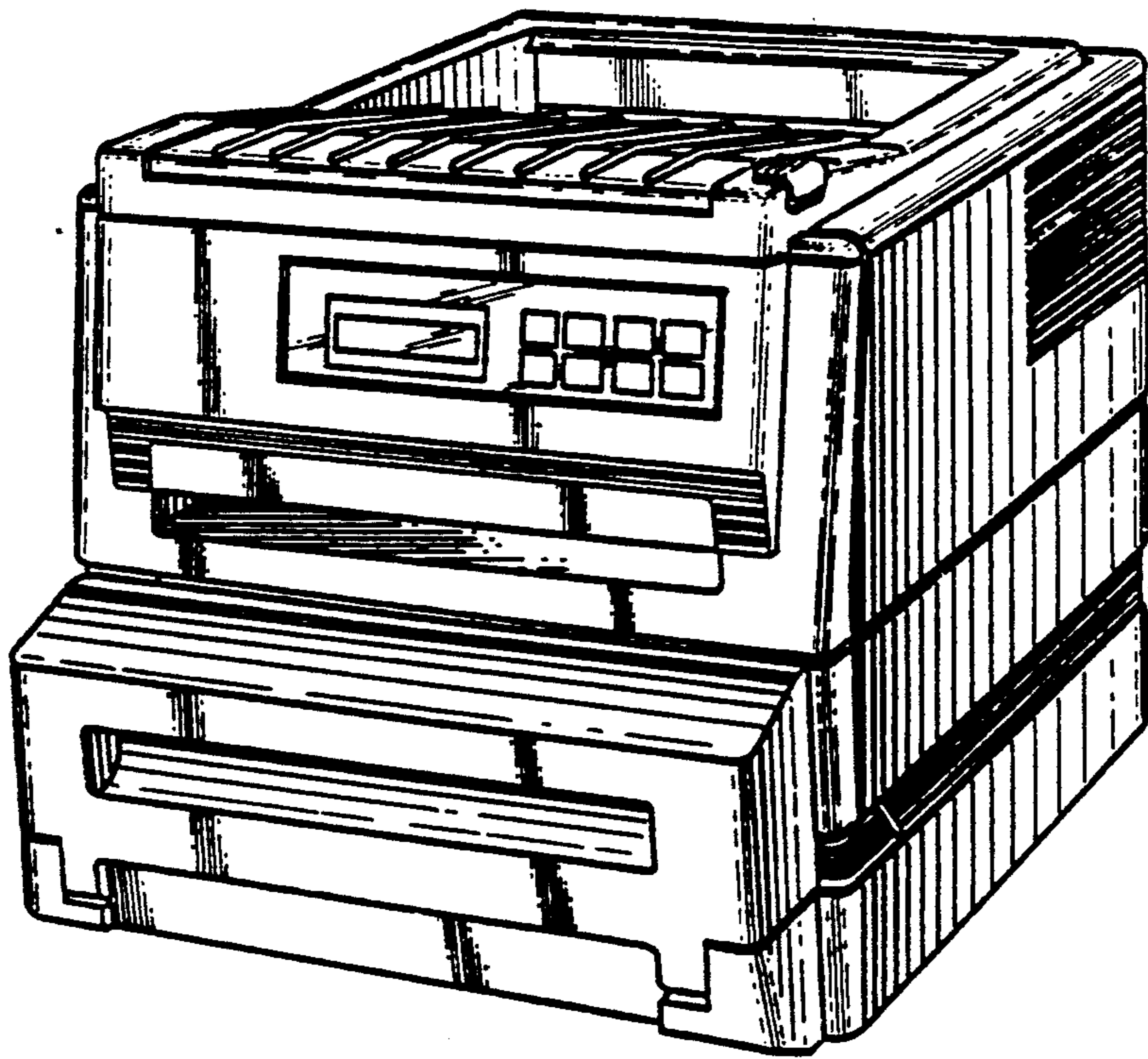


FIG. 1

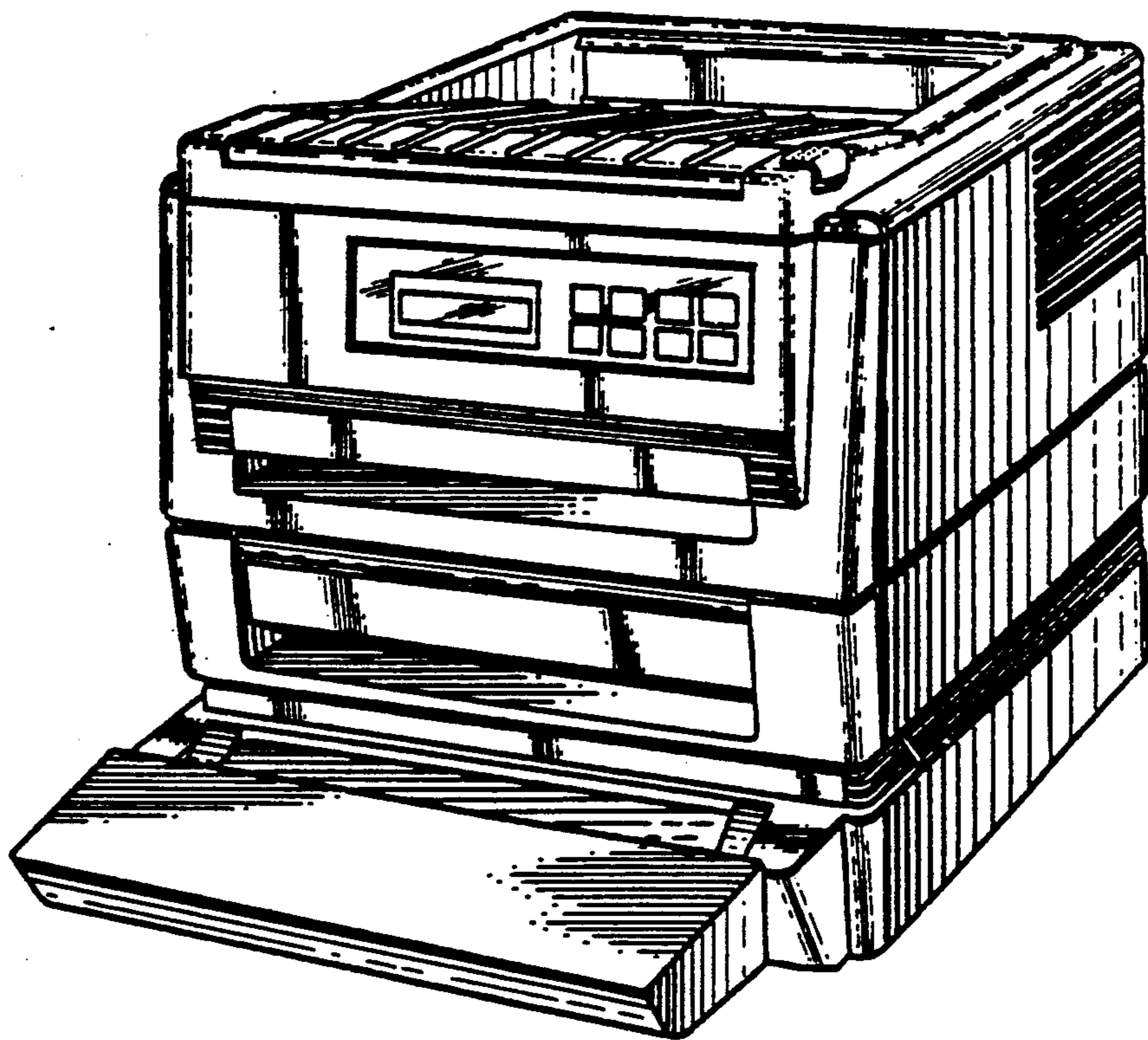


FIG. 2

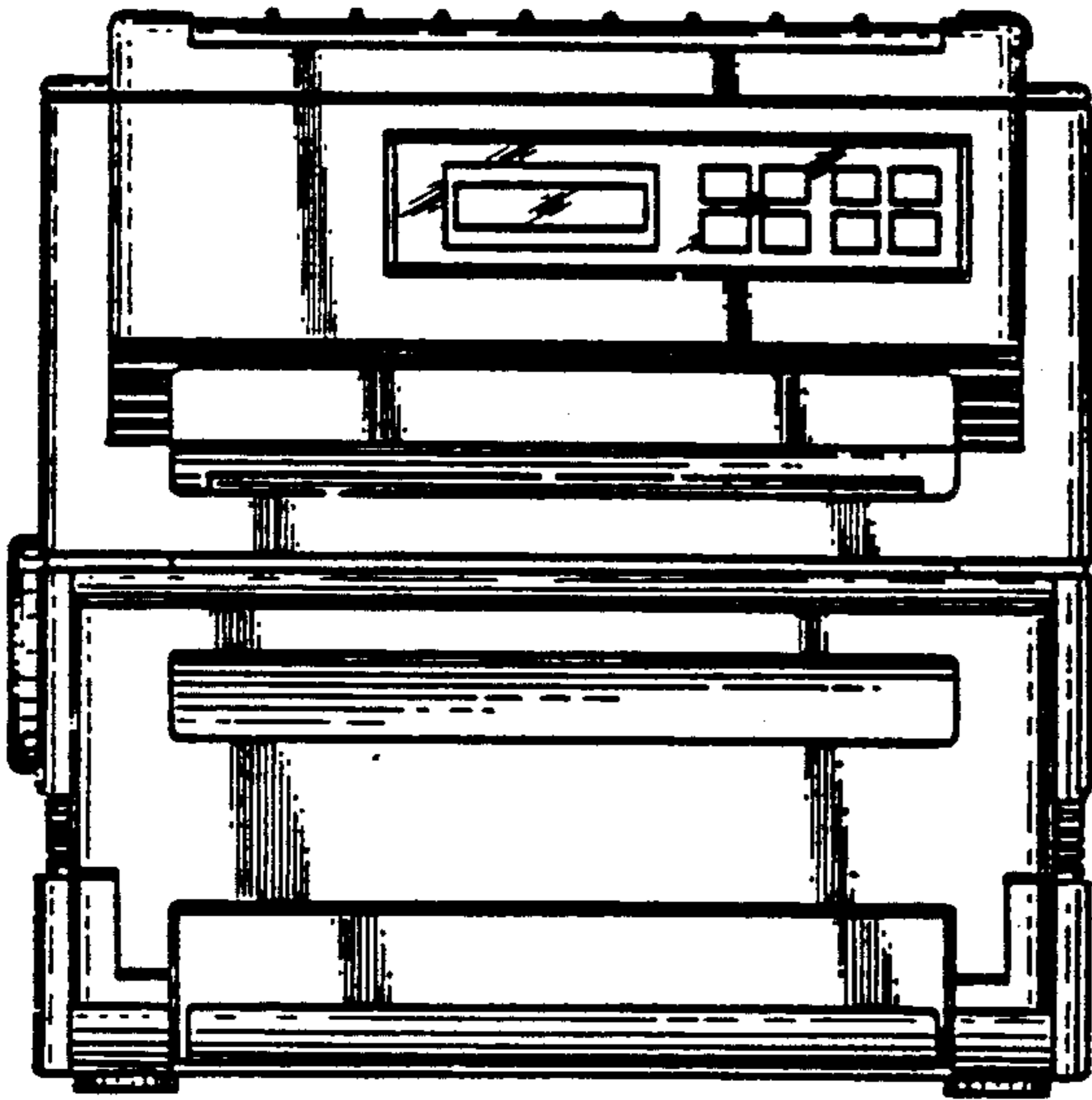


FIG. 3

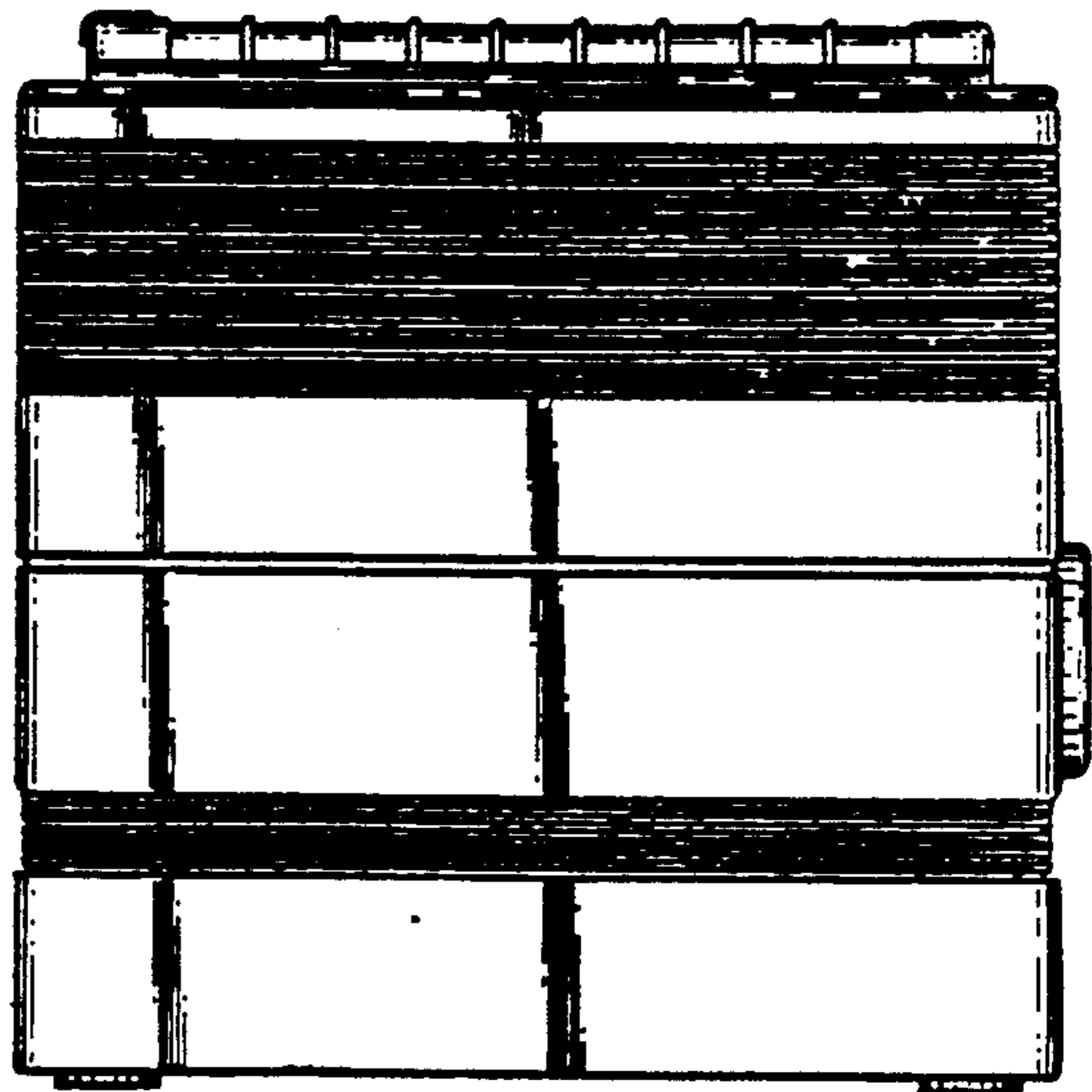


FIG. 4

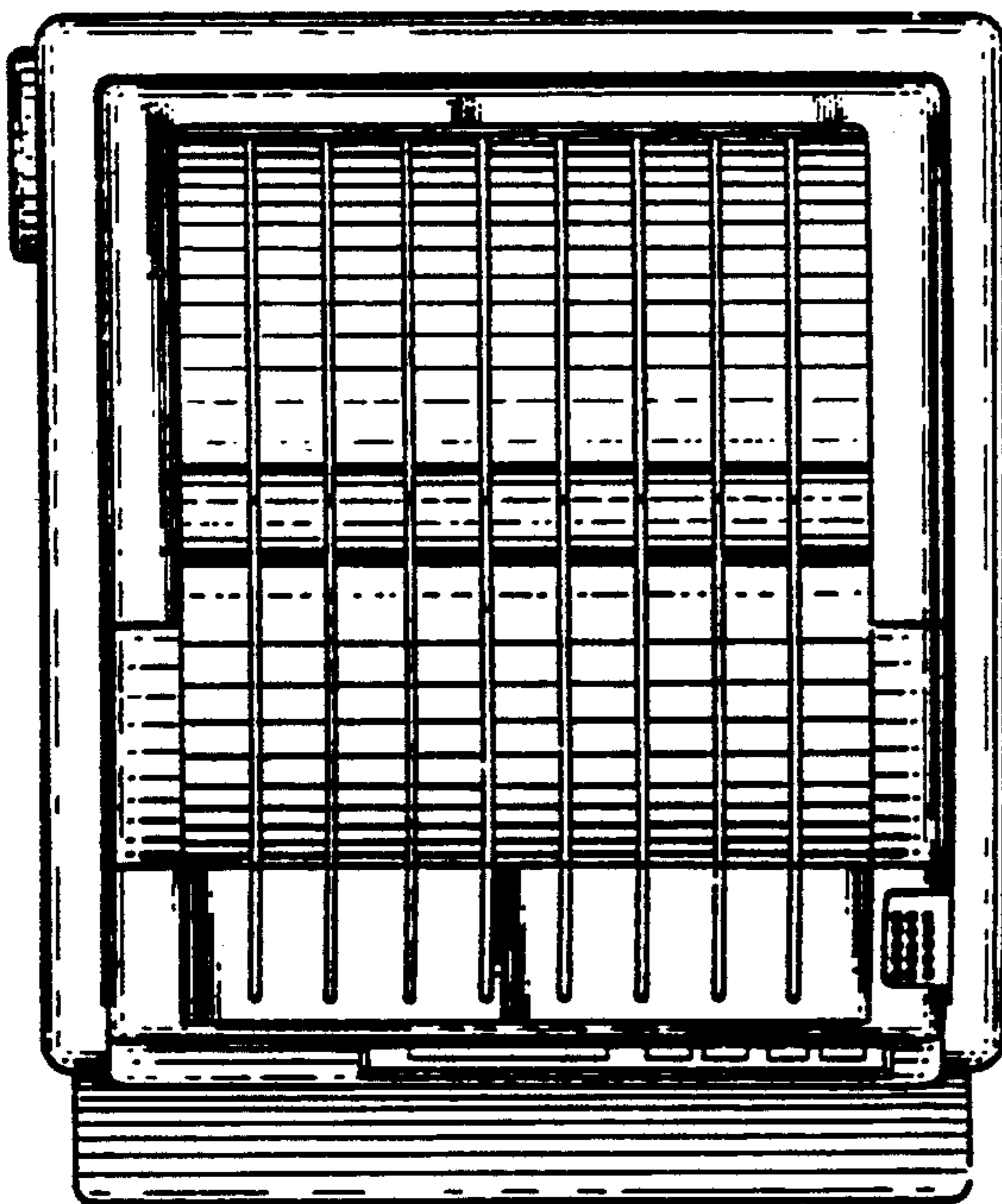


FIG. 5

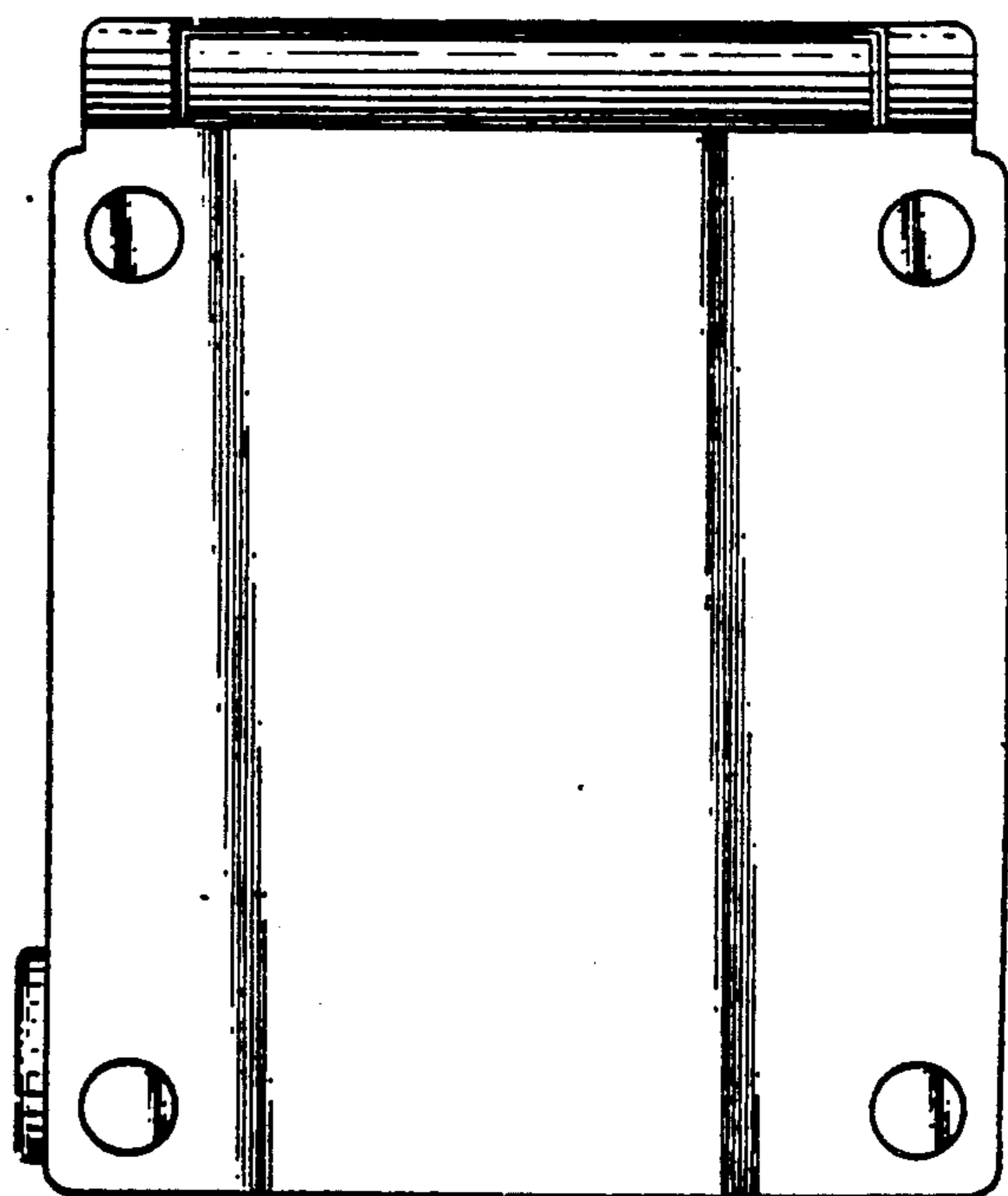


FIG. 6

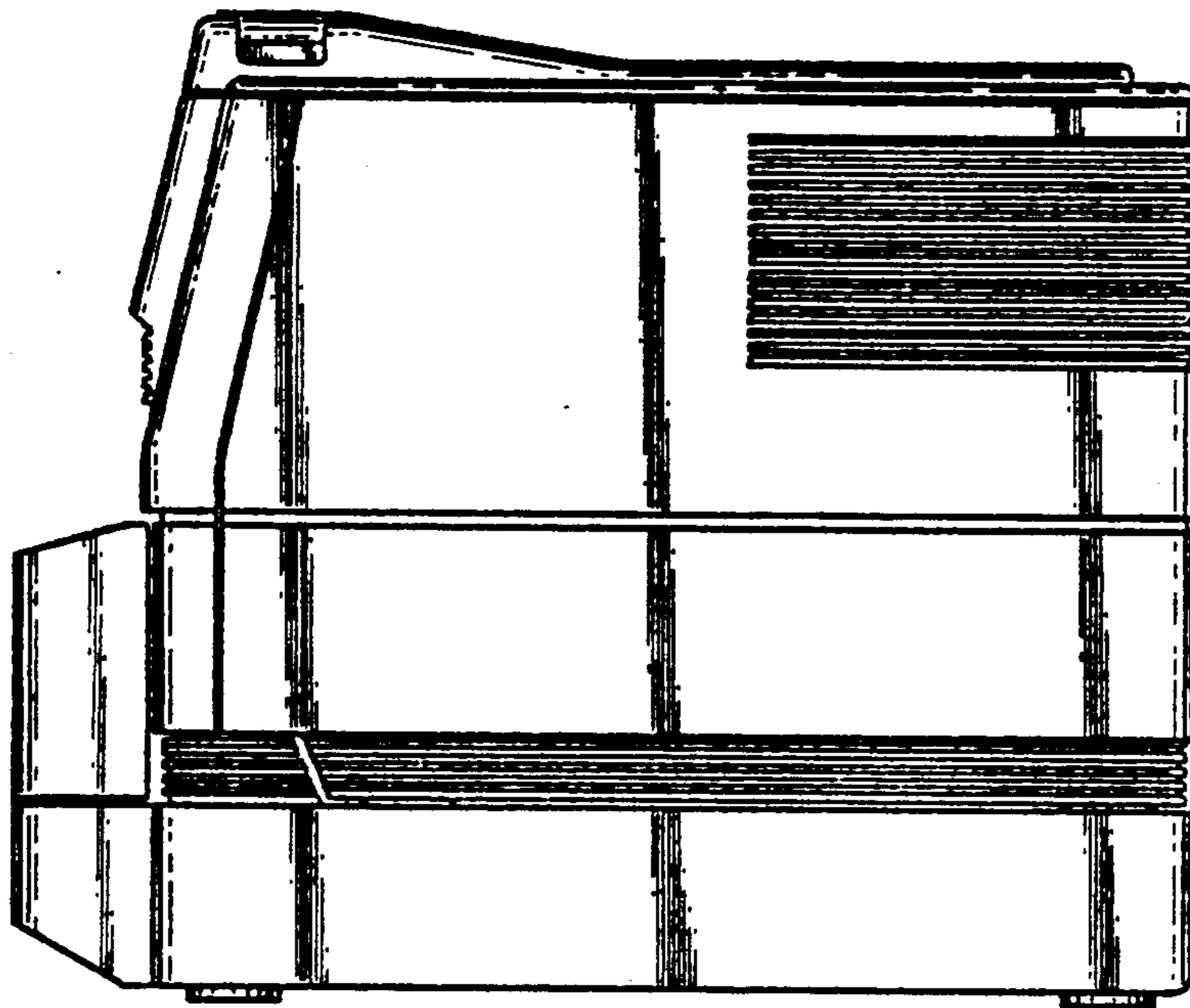


FIG. 7

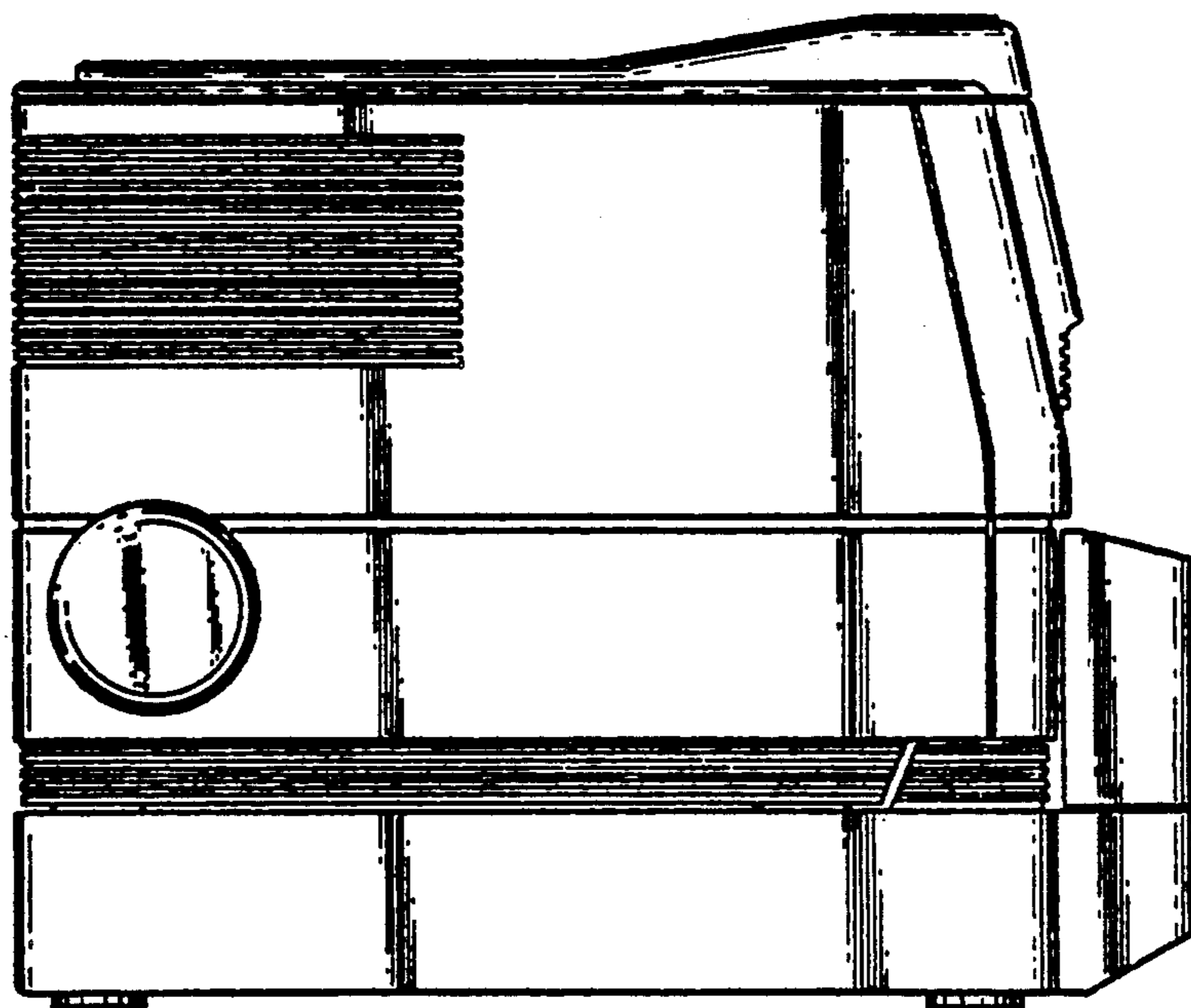


FIG. 8