



US00D324538S

# United States Patent [19]

Maehara et al.

[11] Patent Number: Des. 324,538

[45] Date of Patent: \*\* Mar. 10, 1992

[54] **OFFSET PRINTING MACHINE**

[75] Inventors: **Kenso Maehara; Tetsuyuki Doi**, both of Hiroshima, Japan

[73] Assignee: **Ryobi Ltd.**, Hiroshima, Japan

[\*] Notice: The portion of the term of this patent subsequent to Mar. 10, 2006 has been disclaimed.

[\*\*] Term: **14 Years**

[21] Appl. No.: **456,778**

[22] Filed: **Dec. 26, 1989**

[30] **Foreign Application Priority Data**

Jun. 23, 1989 [JP] Japan ..... 1-23426

[52] U.S. Cl. .... **D18/53**

[58] Field of Search ..... D18/13; 101/136, 137, 101/140, 141, 142, 145, 177, 183, 184, 185

[56] **References Cited**

**U.S. PATENT DOCUMENTS**

- D. 192,394 3/1962 Behnk ..... D18/13
- D. 263,242 3/1982 Hiraishi et al. .... D18/13
- D. 265,914 8/1982 Hiraishi et al. .... D18/13

**FOREIGN PATENT DOCUMENTS**

- 493752 6/1986 Japan .
- 692082 7/1986 Japan .

**OTHER PUBLICATIONS**

Soag Machinery Limited advertisement in Lithoweeek; 2 Dec. 1987; p. 22 (top right corner photo).

*Primary Examiner*—A. Hugo Word  
*Assistant Examiner*—Cathy Anne MacCormac  
*Attorney, Agent, or Firm*—Sughrue, Mion, Zinn, Macpeak & Seas

[57] **CLAIM**

The ornamental design for an offset printing machine, as shown.

**DESCRIPTION**

FIG. 1 is a front, top and right side perspective view of an offset printing machine showing our new design; FIG. 2 is a front elevational view thereof; FIG. 3 is a rear elevational view thereof; FIG. 4 is a top plan view thereof; FIG. 5 is a left side elevational view thereof; and FIG. 6 is a right side elevational view thereof.

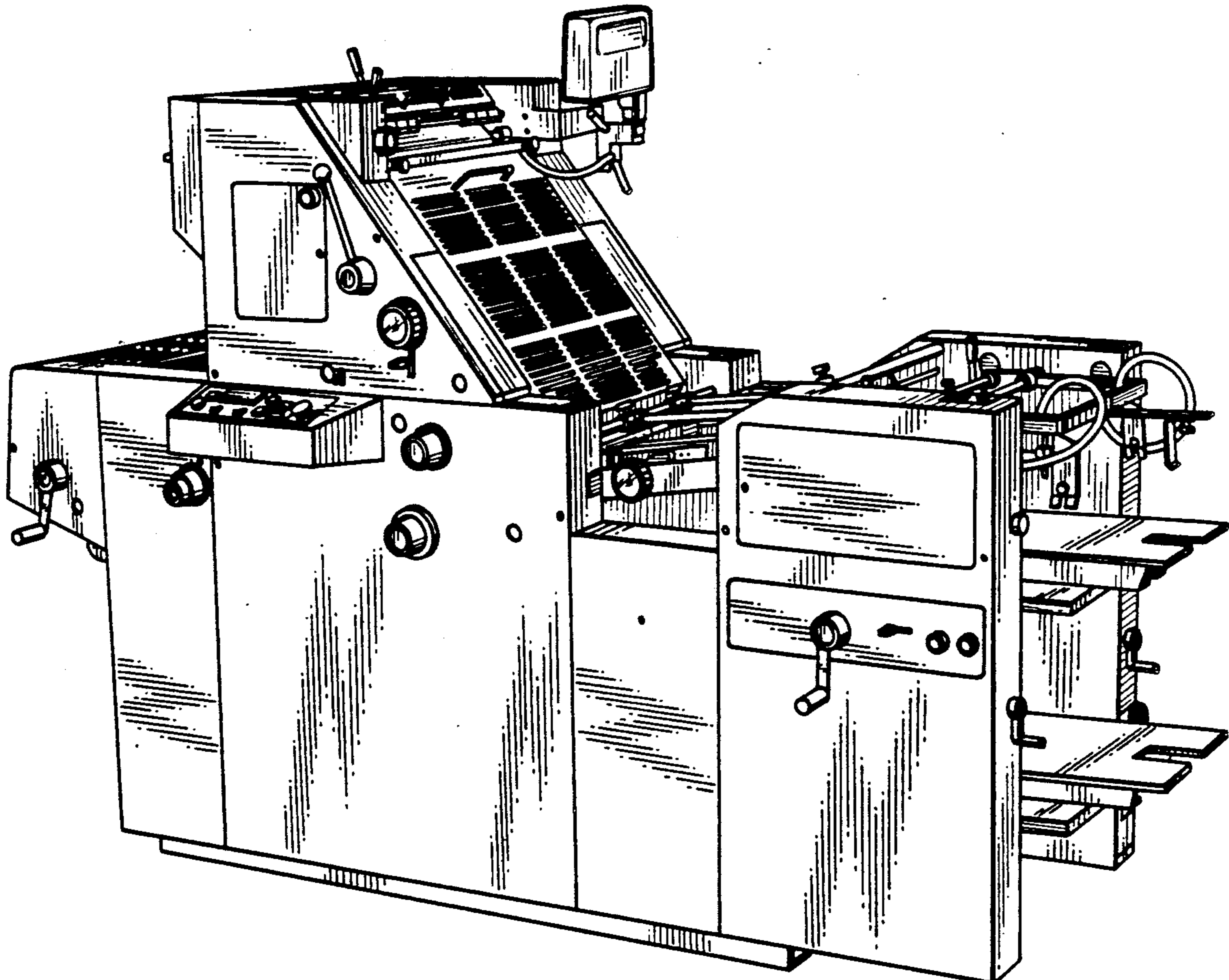


Fig. 1

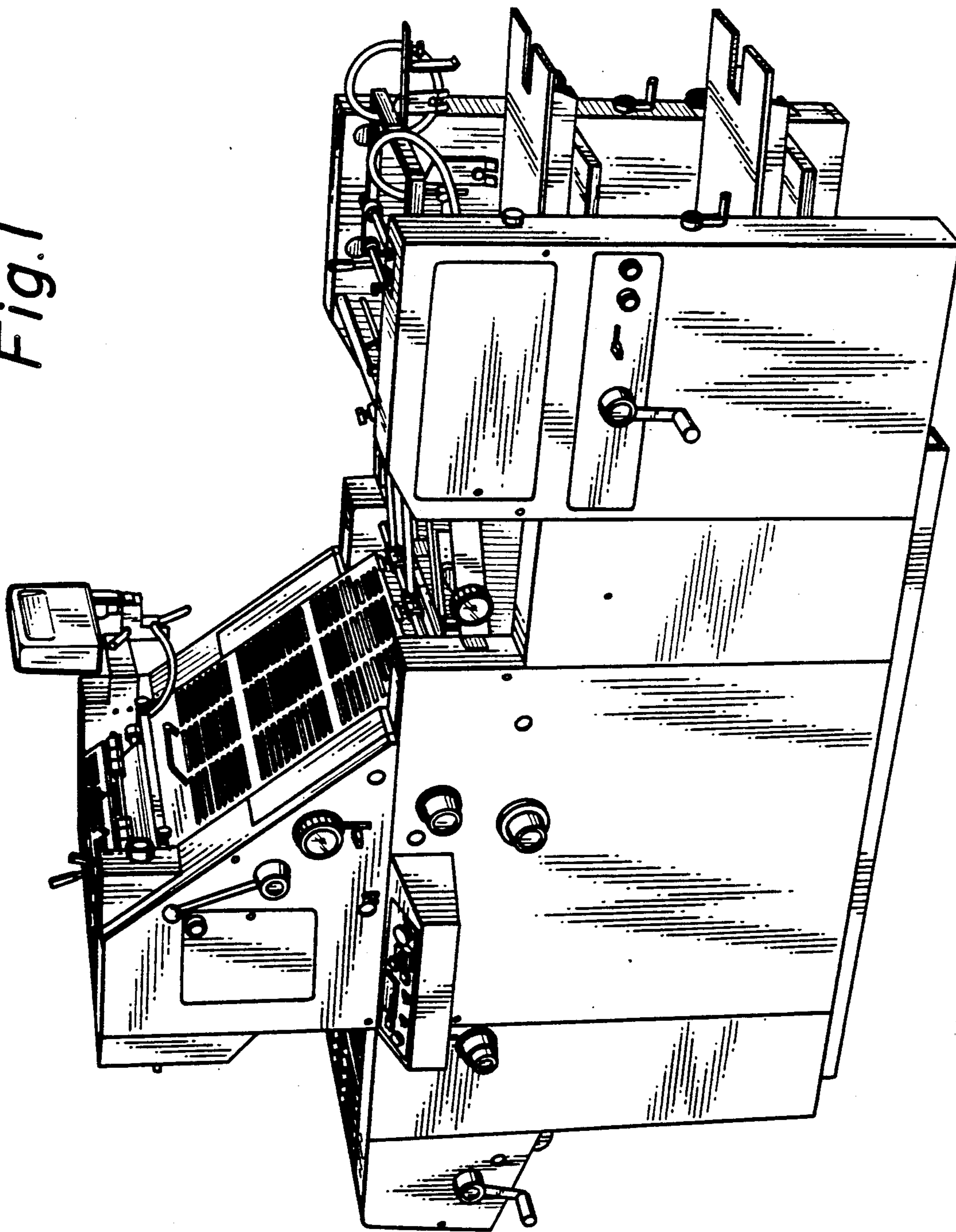
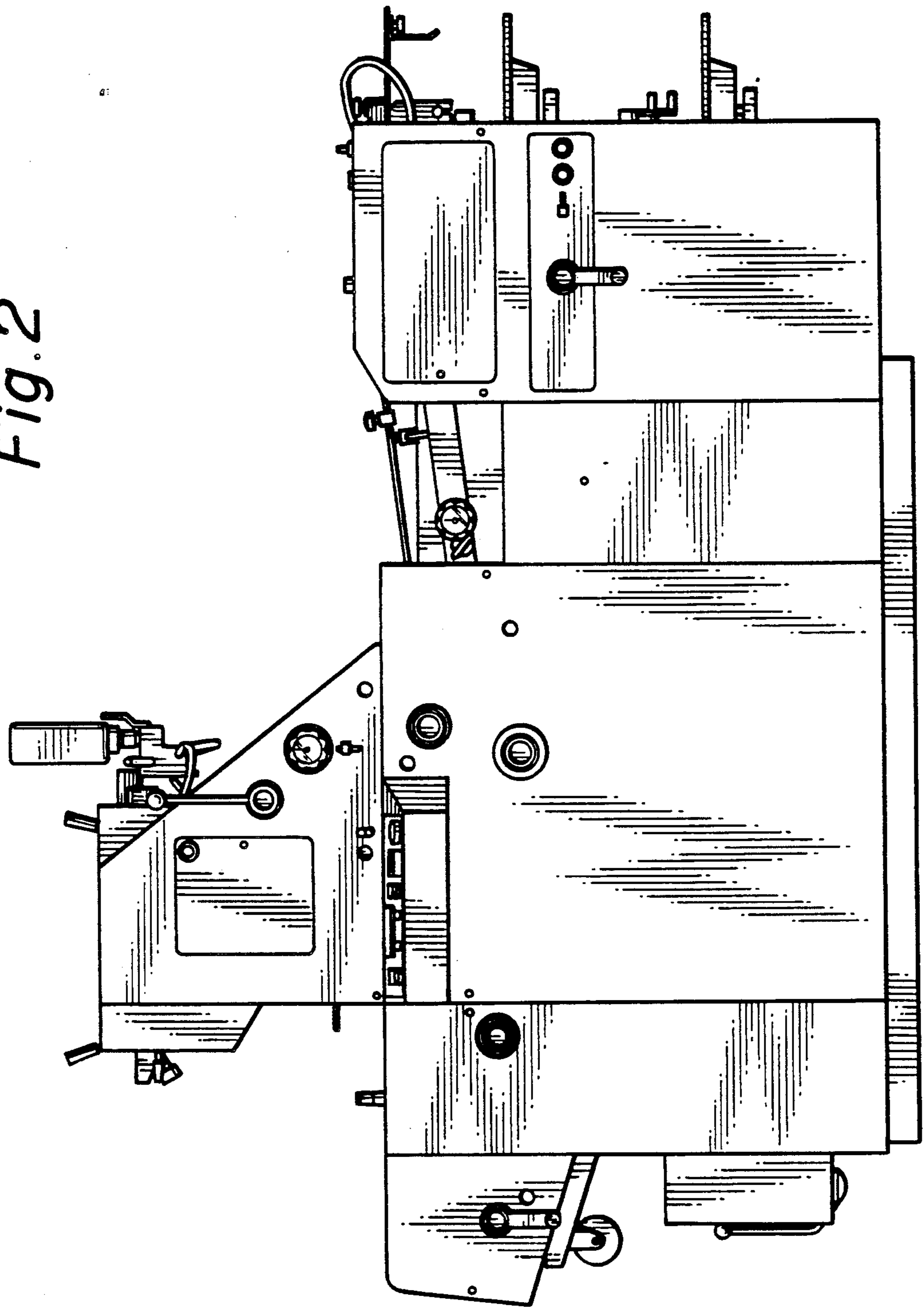


Fig. 2



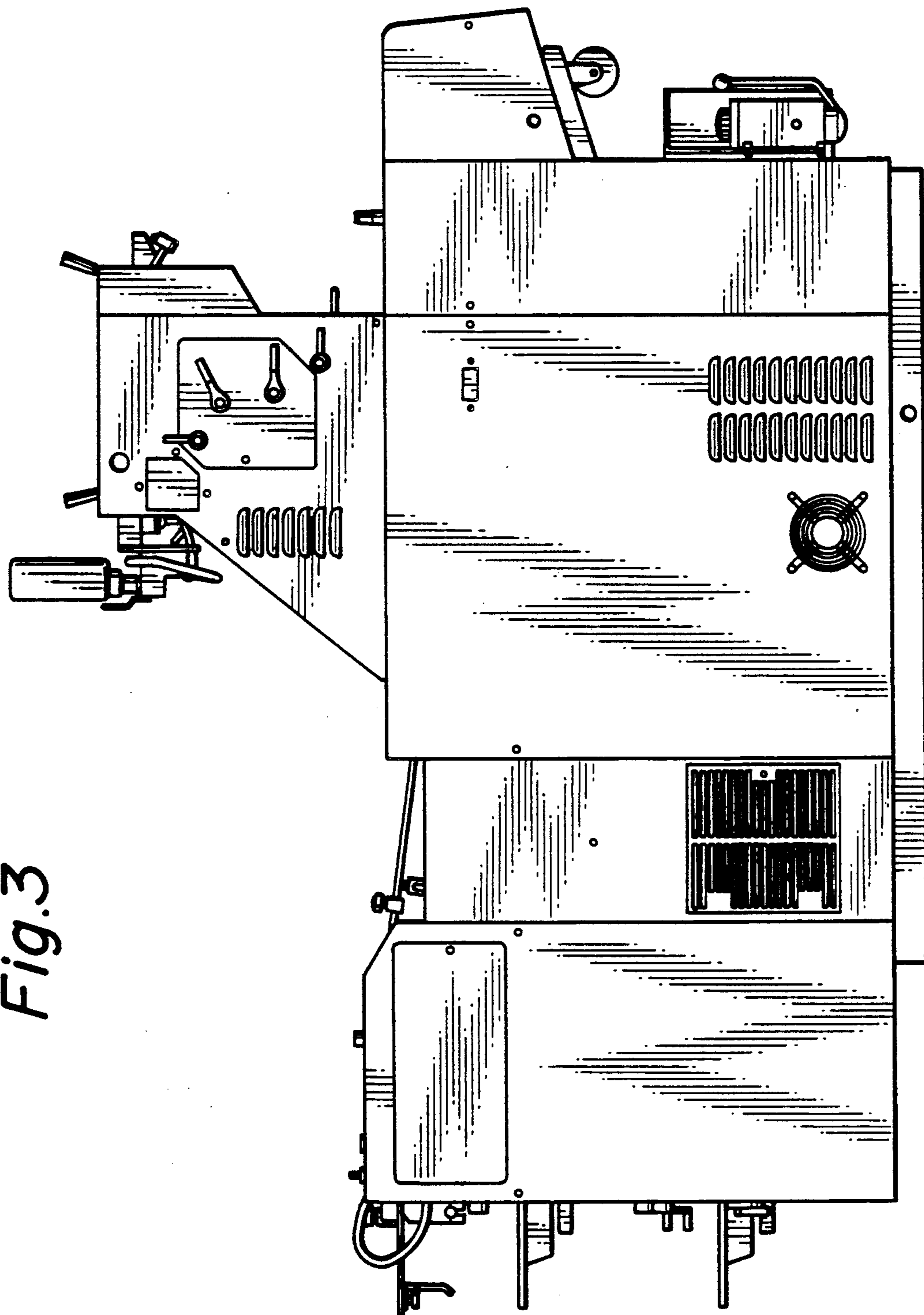
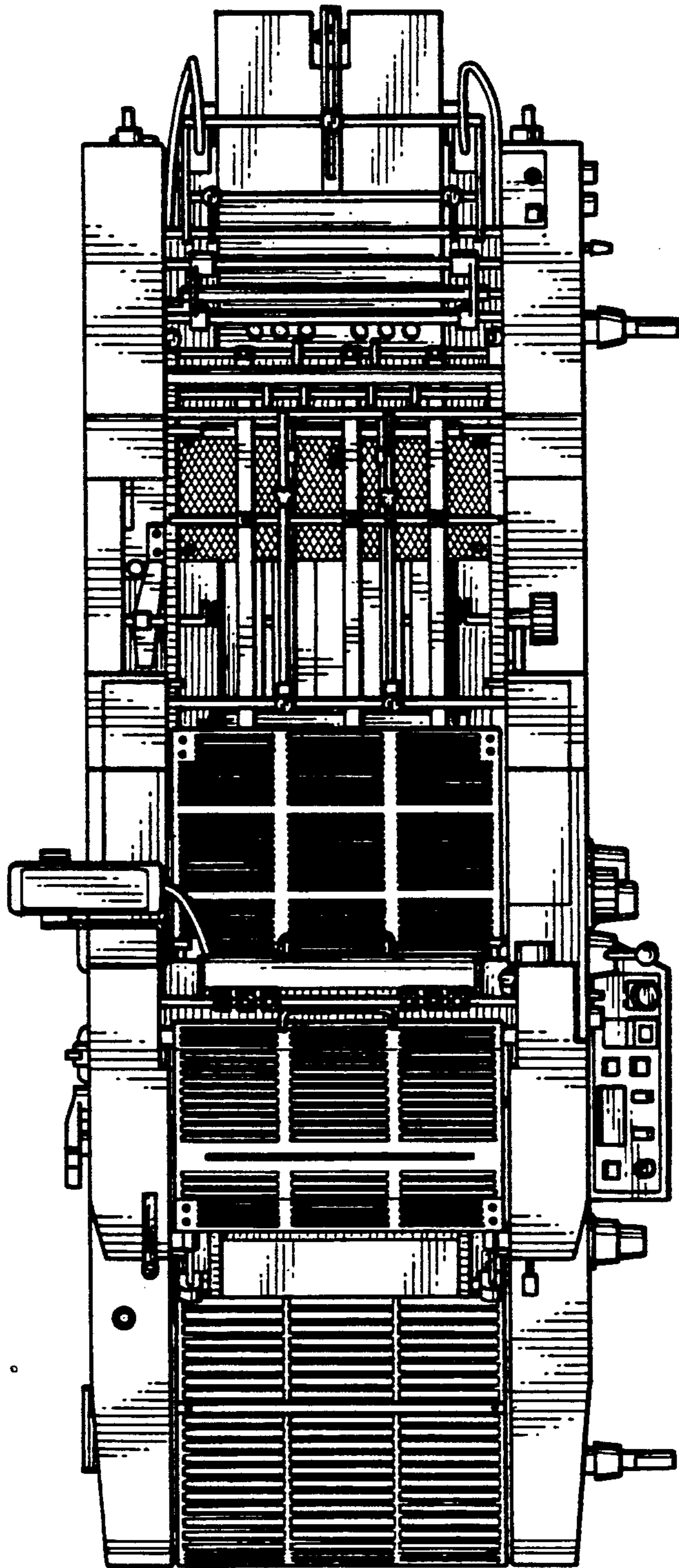
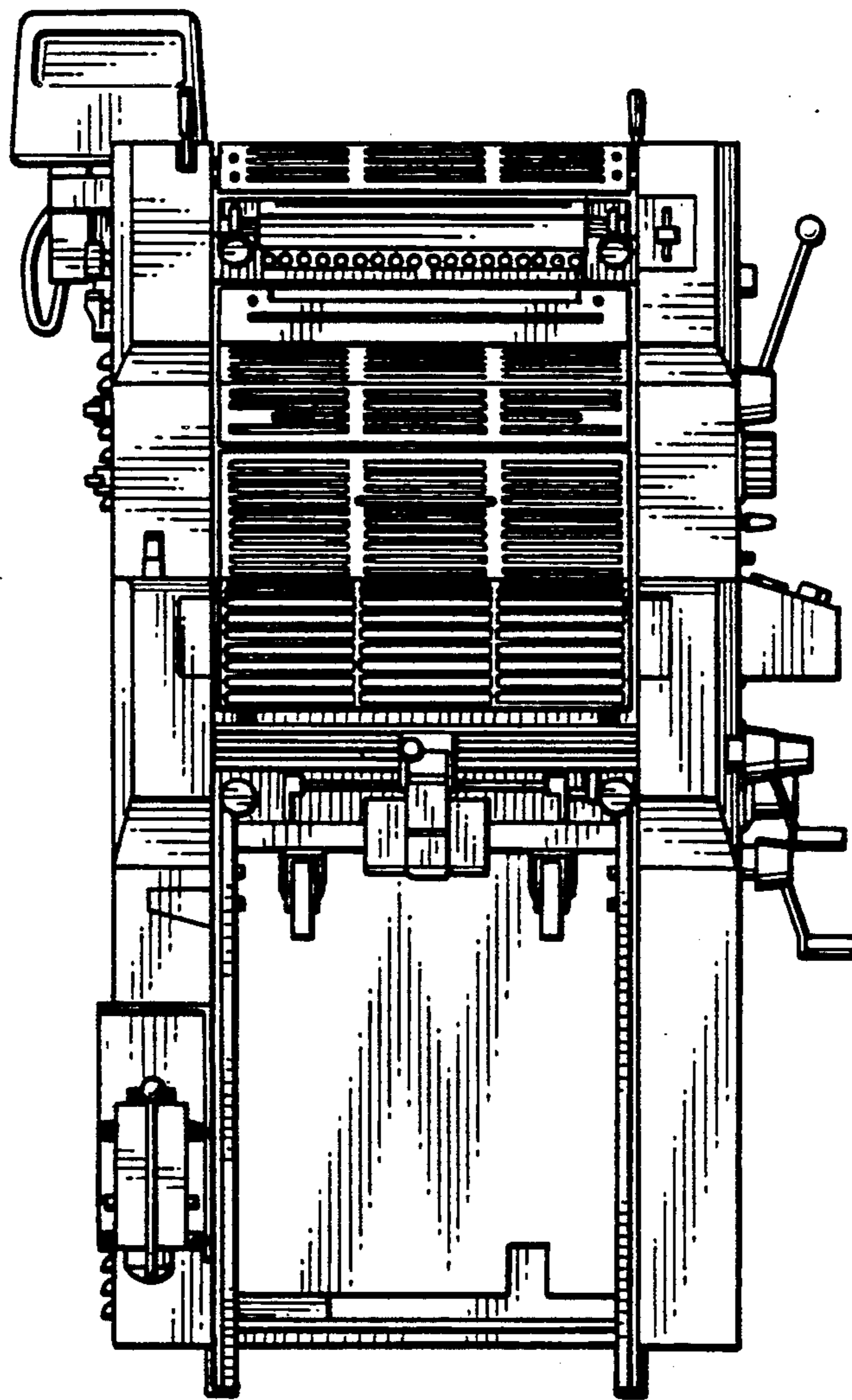


Fig.3

Fig. 4



*Fig. 5*



*Fig. 6*

